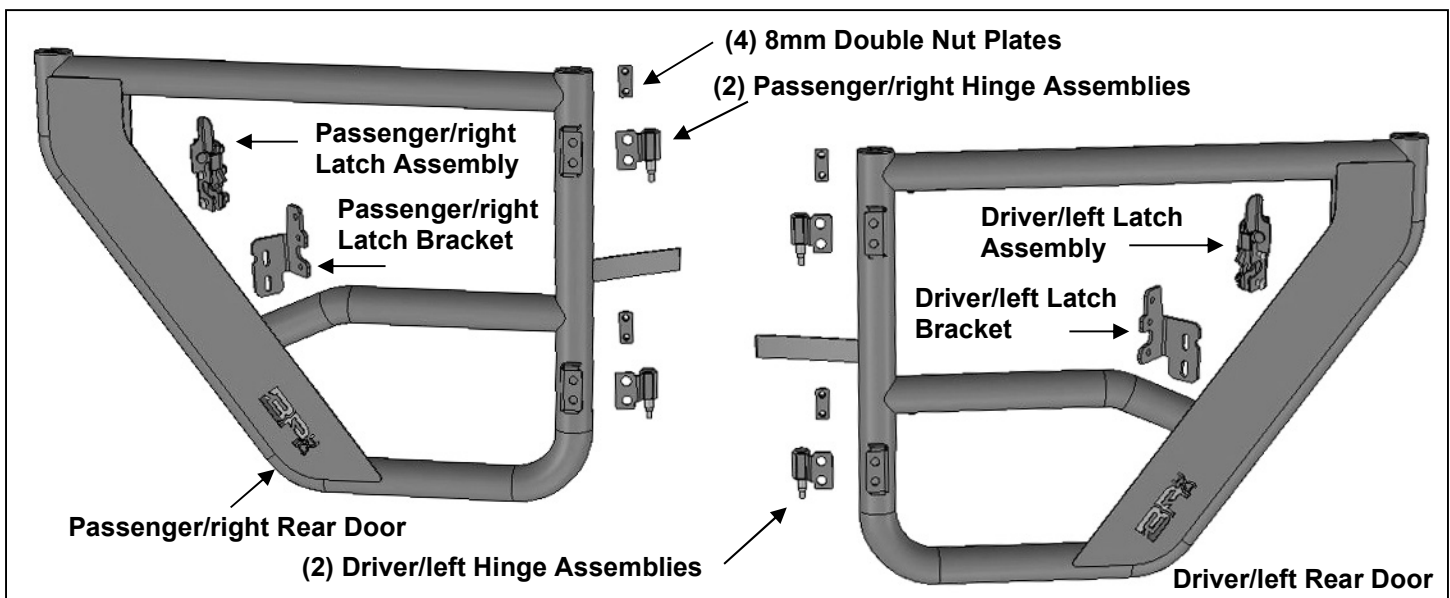


PART #JK-6155

PARTS LIST:

1	Driver/left Rear Door	4	8mm Double Nut Plates
1	Passenger/right Rear Door	6	8mm x 35mm Button Head Bolts
2	Driver/left Hinge Assemblies	12	8mm x 25mm Button Head Bolts
2	Passenger/right Hinge Assemblies	16	8mm x 16mm x 1.6mm Flat Washers
1	Driver/left Latch Bracket	8	8mm Lock Washers
1	Passenger/right Latch Bracket	10	8mm Nylon Lock Nuts
1	Driver/left Latch Assembly	1	5mm Wrench
1	Passenger/right Latch Assembly		



PROCEDURE:

REMOVE CONTENTS FROM BOX. VERIFY ALL PARTS ARE PRESENT. READ INSTRUCTIONS CAREFULLY BEFORE STARTING INSTALLATION. ASSISTANCE IS RECOMMENDED.

1. Start installation at the passenger/right rear door. Roll window down fully into door. Remove the retaining screws from the bottom of the (2) outer door hinges, **(Figure 1)**.
2. Remove the plastic cover from the base of the limit strap in footwell, **(Figure 2)**. Unplug the wiring harness. Release the limit strap from the mounting bracket, **(Figure 3)**.
3. Next, remove the screw attaching the check rod to the body, **(Figure 4)**. Reinsert screw into door frame to plug hole in frame. **NOTE:** To prevent the door from swinging fully open and possible damage, have someone hold door in place after check rod and limit strap are removed.
4. Insert arm through open window and lift door straight up and out from hinges. Move door to a clean stable surface.
5. Select the passenger/right Door Assembly. Attach (1) passenger/right Door Hinge to the top mount on the Door with the included (1) 8mm Double Nut Plate, (2) 8mm x 25mm Button Head Bolts, (2) 8mm Lock Washers and (2) 8mm Flat Washers, **(Figure 5)**. Do not tighten hardware at this time. Repeat this Step to attach the remaining passenger/right Hinge to the lower mounting plate on the door, **(Figure 6)**.
6. Select the passenger/right Latch Assembly and passenger/right "L" Mounting Bracket. Attach the Latch to the Mounting Bracket with (3) 8mm x 35mm Button Head Bolts and (3) 8mm Nylon Lock Nuts, **(Figure 7)**. Do not fully tighten hardware.

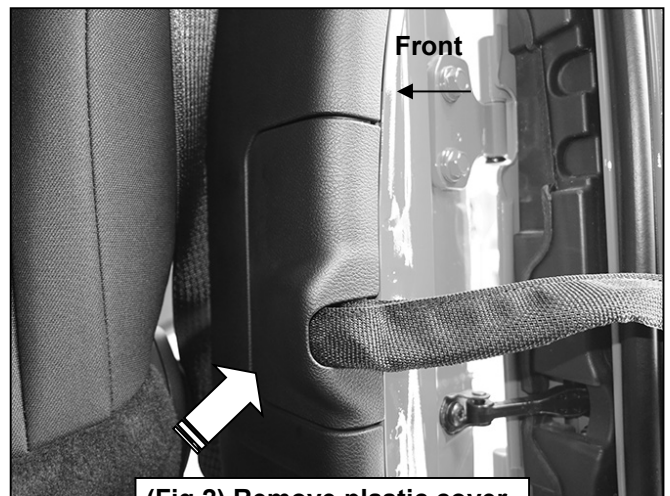
- Next, attach the Latch and Bracket assembly to the inside of the door with the included (2) 8mm x 25mm Button Head Bolts, (4) 8mm Flat Washers and (2) 8mm Nylon Lock Nuts, (**Figures 8 & 9**). Do not fully tighten hardware.
- Apply a thin coating of waterproof grease, (not included), to the Hinge Pins. Carefully hold the door in place over the hinges on the vehicle. Guide the Hinge Pins down and into the hinges. Secure each Hinge Pin to the hinge with the factory retaining screws, (**Figures 10 & 11**).
- Attach the Limit Strap on the Door to the bracket on the vehicle and reinstall the plastic cover.
- Open and close the door a few times to center the hinge pins in the hinges. Center the Door assembly in the opening in the vehicle. Adjust as necessary and fully tighten Hinge to Door hardware only.
- Slowly close the door and check to see if it is lined up with the striker. Adjust as necessary and tighten hardware, (**Figures 12—15**). **IMPORTANT**: Make sure Latch will **fully close and open** properly before fully tightening Latch hardware.
- Repeat **Steps 1—11** to install the driver/left Door assembly.
- Do periodic inspections to the installation to make sure that all hardware is secure and tight.

To protect your investment, do not use any type of polish or wax that may contain abrasives that could damage the finish. Mild soap may be used to clean the Doors.

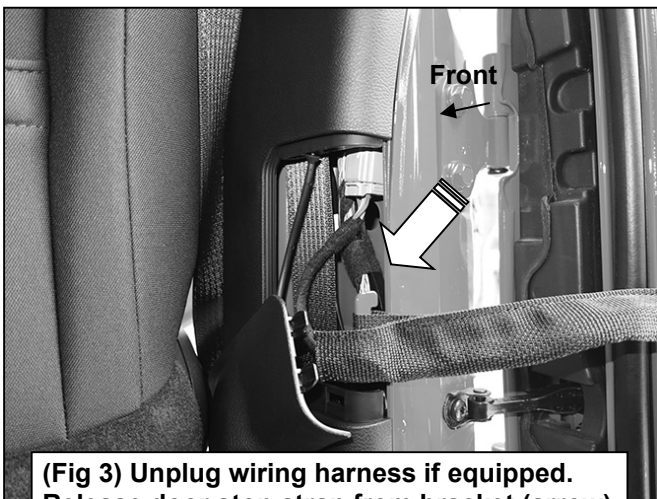
Passenger/Right Side Installation Pictured



(Fig 1) Remove retaining screws from bottom of hinges (arrows)



(Fig 2) Remove plastic cover



(Fig 3) Unplug wiring harness if equipped. Release door stop strap from bracket (arrow)

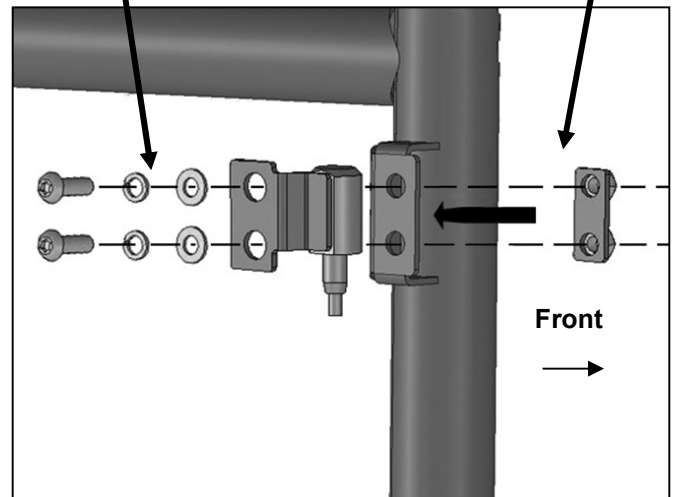
Passenger/Right Side Installation Pictured



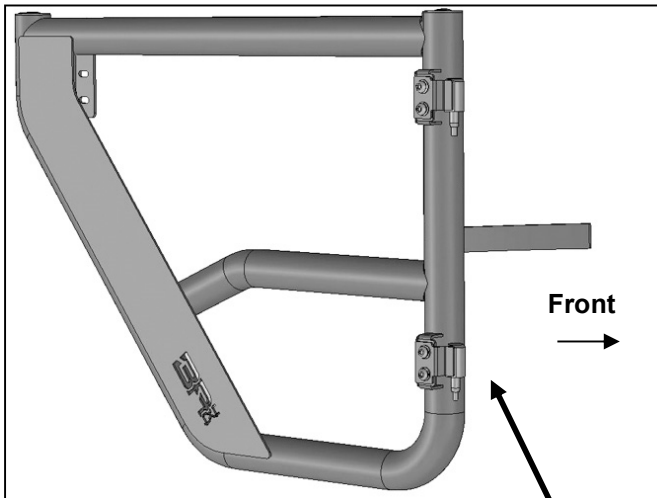
(Fig 4) Remove screw to release door check rod. Lift door straight up to remove door

- (2) 8mm x 25mm Button Head Bolts
- (2) 8mm Lock Washers
- (2) 8mm Flat Washers

8mm Double Nut Plate

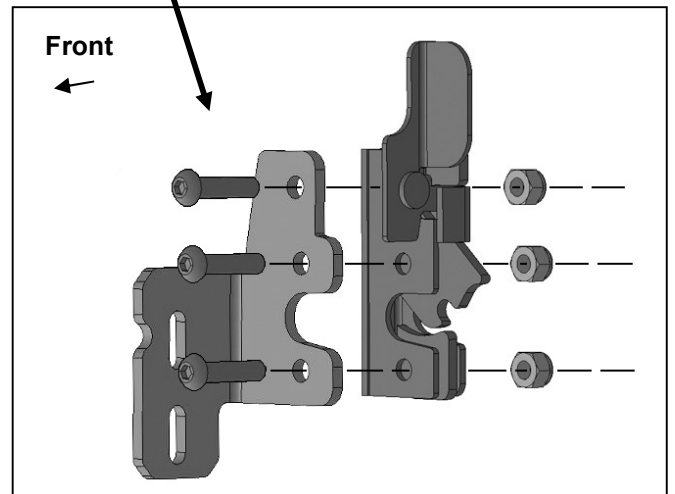


(Fig 5) Attach (2) Passenger/right Hinges to Door



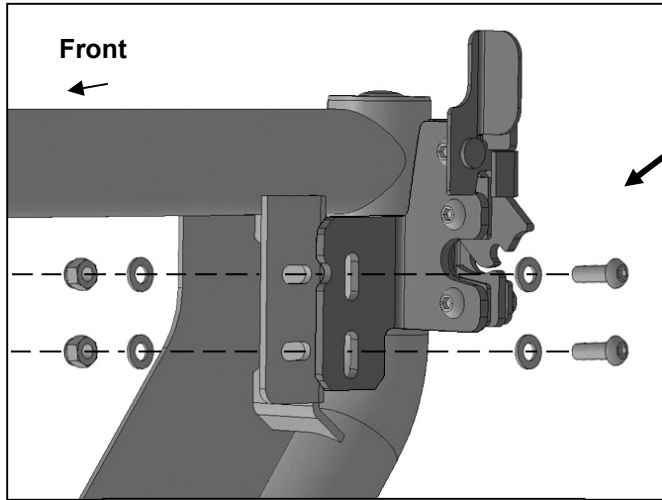
(Fig 6) Passenger/right Hinges installed

- (3) 8mm x 35mm Button Head Bolts
- (3) 8mm Nylon Lock Nuts



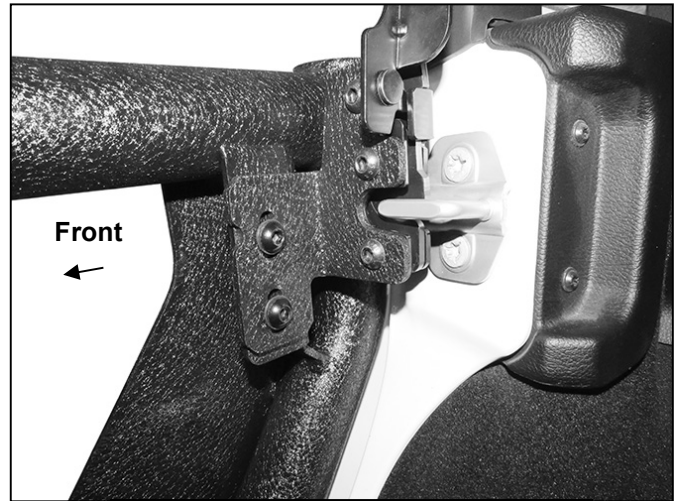
(Fig 7) Attach passenger/right Latch to "L" Mounting Bracket

Passenger/Right Side Installation Pictured



- (2) 8mm x 25mm Button Head Bolts
- (4) 8mm Flat Washers
- (2) 8mm Nylon Lock Nuts

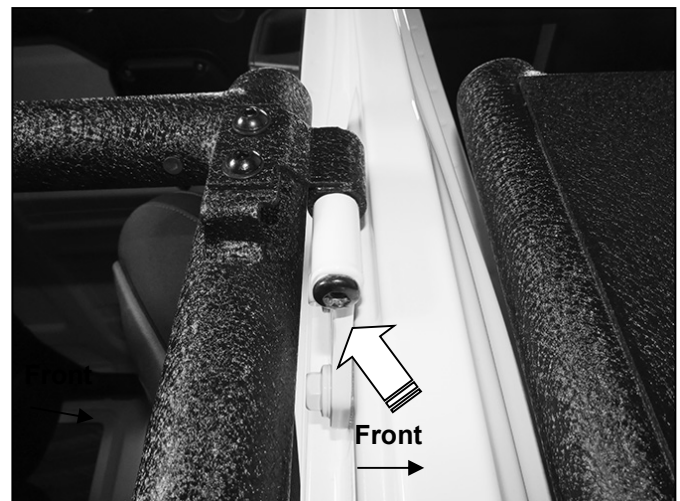
(Fig 8) Attach passenger/right Latch assembly to inside of door



(Fig 9) Passenger/right Latch assembly attached to inside of door

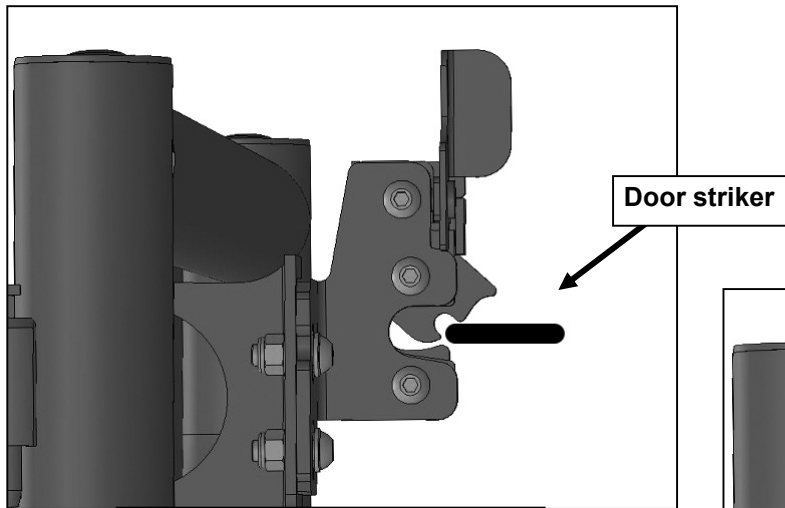


(Fig 10) Lift door, guide Hinge Pins down through hinge on vehicle. Slide end of Door Stop Strap onto bracket

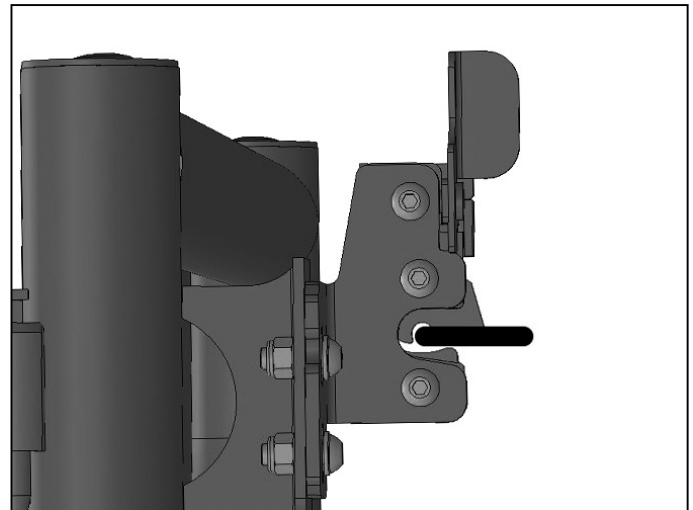


(Fig 11) Reuse factory retaining screws to attach Door Pins to mounts

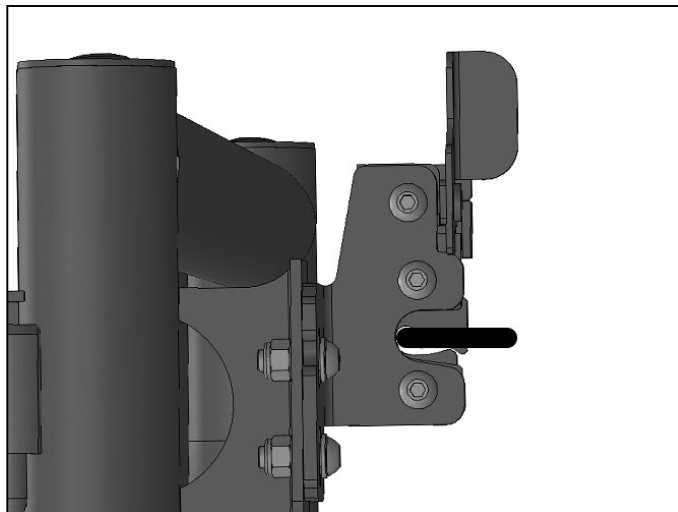
Passenger/Right Side Installation Pictured



(Fig 12) Latch in open position



(Fig 13) Latch assembly only partially closed against striker, note first "click" from latch



(Fig 14) Latch assembly fully closed against striker, note second "click" from latch



(Fig 15) Adjust Door and Latch assembly for proper operation before fully tightening hardware. Make sure door latch fully closes against striker