

DK518 CROSSBAR INSTRUCTION

VA, EURO & HD

FIT MY VEHICLE

Please visit the Rhino-Rack website to ensure you have the latest information for your specific vehicle.

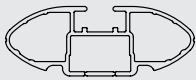
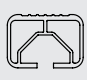
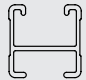
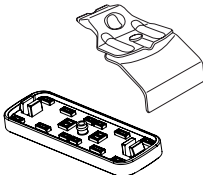
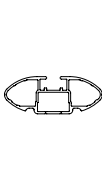
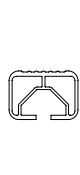
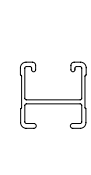
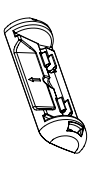
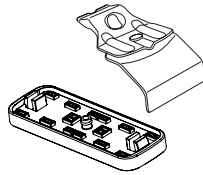
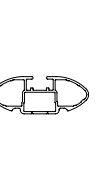
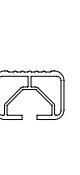
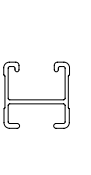
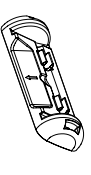


rhinorack.com/roof



CROSSBAR ID

PAD, CLAMP & CROSSBAR DETAILS

			FRONT CROSSBAR					REAR CROSSBAR						
 VA  EURO  HD														
Vehicle	Date	Crossbar	Front Right Pad/Clamp	Front Left Pad/Clamp	Measurement Strip Length Per Side	Measurement Distance [X]	Foot Plate Arrow Direction	Rear Right Pad/Clamp	Rear Left Pad/Clamp	Measurement Strip Length Per Side	Measurement Distance [X]	Foot Plate Arrow Direction		
Toyota Tundra CrewMax Gen3	2022 -	1500mm	M700 SUB0460	M699 SUB0460	117mm	62mm	1122mm / 44 3/16"	OUT	M700 SUB0460	M699 SUB0460	112mm	57mm	1112mm / 43 3/4"	OUT
			Pad Arrow Forward						Pad Arrow Forward					
Toyota Tundra Double Cab Gen3	2022 -	1500mm	M700 SUB0460	M699 SUB0460	119mm	64mm	1126mm / 44 5/16"	OUT	M700 SUB0460	M699 SUB0460	113mm	58mm	1114mm / 43 7/8"	OUT
			Pad Arrow Forward						Pad Arrow Forward					

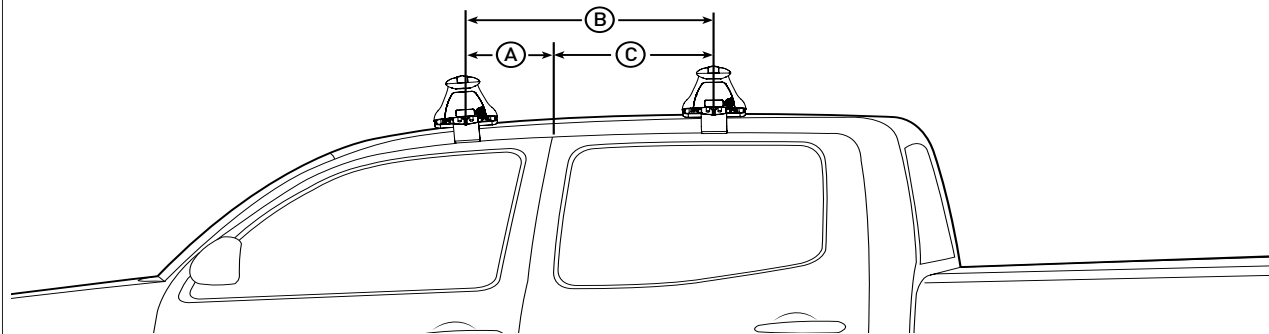
DK518 CROSSBAR INSTRUCTION

VA, EURO & HD

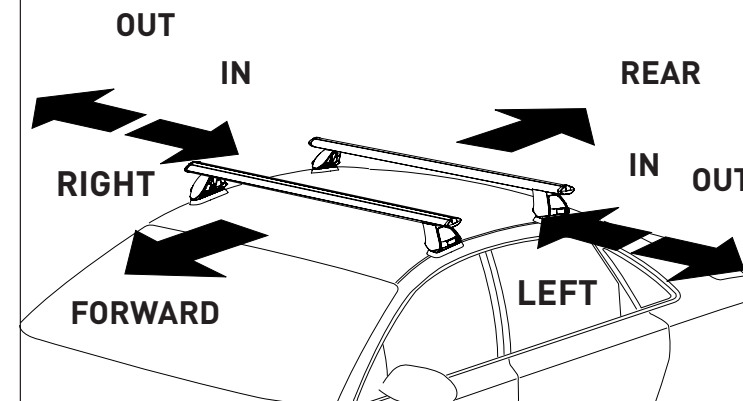
VEHICLE FIT DETAILS

Carrying Capacity: The roof rack is rated to 75kg. Please refer to manufacturers handbook for your vehicles maximum roof load capacity. Always use the lower of the two figures.

- (A)** CENTRE of Door Jamb to CENTRE of Front Leg Foot Plate Arrow.
- (B)** CENTRE of Front leg foot plate arrow to CENTRE of Rear leg foot plate arrow.
- (C)** Door Jamb to CENTRE of Rear Leg Foot Plate Arrow



Direction of Pad and Foot Plate Arrow



VEHICLE	Date	(A)	(B)	(C)	Load Rating (includes racks 5kg/ 11lbs)
Toyota Tundra CrewMax Gen3	2022 -	100mm / 3 15/16"	800mm / 31 1/2"	700mm / 27 9/16"	Up to* 75kg / 165lbs
Toyota Tundra Double Cab Gen3	2022 -	200mm / 7 7/8"	650mm / 25 9/16"	450mm / 17 1/4"	Up to* 75kg / 165lbs

*System **Load Rating:** Please refer to manufacturer's handbook for your vehicle's maximum roof load capacity. Always use the lower of the two figures