

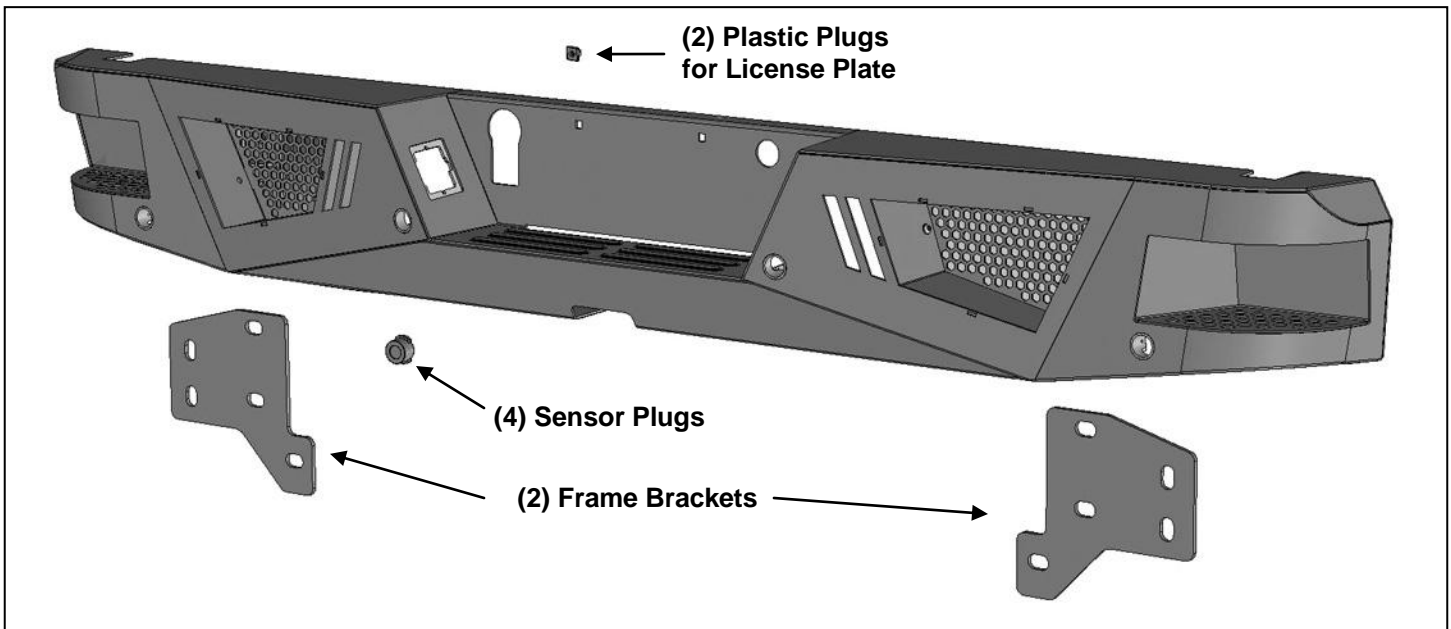
# BODY ARMOR 4X4

**ECO-SERIES REAR BUMPER  
15-16 FORD F150  
PART # FD-2962**

Body Armor 4x4  
272 Corporate Terrace St.  
Corona, CA 92879  
951-808-0750  
Customer Service hours:  
M-TH: 7:30am to 4:30 PM Pacific Time  
Friday: 8 AM – Noon Pacific Time

**PARTS LIST:**

1	Rear Bumper Assembly	4	12mm Lock Washers
2	Mounting Brackets	6	12 mm Nylon Lock Nuts
4	Sensor Hole Plugs	8	4mm x 10mm Button Head Bolts
2	Plastic Plugs for license plate mount	1	4mm Wrench
6	12-1.75mm x 50mm Hex Bolts	1	6mm Wrench
4	12-1.75mm x 35mm Hex Bolts	10	Nylon Wire Ties
16	12mm x 37mm x 3mm Flat Washers		



**PROCEDURE:**

**REMOVE CONTENTS FROM BOX. VERIFY ALL PARTS ARE PRESENT. READ INSTRUCTIONS CAREFULLY BEFORE STARTING INSTALLATION. BUMPER IS HEAVY, ASSISTANCE IS RECOMMENDED TO AVOID POSSIBLE INJURY OR DAMAGE TO THE VEHICLE.**

**IMPORTANT: OEM "HD" RECEIVER HITCH INTEGRATED INTO FACTORY REAR BUMPER CANNOT BE REINSTALLED. INSTALLATION IS COMPATIBLE WITH OEM "MAX DUTY" HITCH AND MOST AFTERMARKET RECEIVER HITCHES.**

1. Remove the license plate from the bumper, **(Figure 1)**. Next, unplug the license plate lights, trailer plug and sensors, (if equipped). Release the wiring harness from the clips attached to the back of the bumper. Move all wiring harnesses away from bumper. **NOTE:** Bumper is designed to be compatible with larger 7-wire universal trailer harness plug.
2. Next, release the clips holding the license plate lights in place and remove the lights, **(Figure 2)**. Release the clips securing the trailer plug and remove the plug.
3. Place blocks or jack stands under the bumper to support it during mounting bolt removal. Once the bumper has been safely supported, remove the factory hardware attaching the bumper to the end of the frame and remove the bumper, **(Figures 3A, 3B & 4)**. **WARNING!** Assistance is required to hold the bumper in place during hardware removal to prevent bumper from falling. **IMPORTANT:** On models with FORD "HD" tow package, the factory bumper features an integrated receiver hitch and it cannot be reinstalled with the replacement Bumper, **(Figure 3A)**. Bumper is compatible with models without receiver hitch, (standard tow package-**Figure**

**3B**), and with the FORD “MAX DUTY” tow package, (separate receiver hitch). Bumper is also compatible with most replacement receiver hitches.

4. Select (1) Mounting Bracket, **(Figure 5A)**. Attach the Bracket to the passenger side mounting plate on the back of the bumper with the included (2) 12mm x 35mm Hex Bolts, (2) 12mm Lock Washers and (2) 12mm Flat Washers, **(Figures 5A & 5B)**. Snug but do not fully tighten at this time. Repeat this **Step** to attach the Mounting Bracket on the driver side.
5. With assistance, position the Bumper Assembly up to the mounting flanges on the end of the frame. Temporarily support the weight of the Bumper. **WARNING:** To avoid possible injury or damage to the vehicle, do not proceed until the bumper is fully and safely supported.
6. Attach the Bumper Brackets to the ends of the frame with the included (6) 12mm x 50mm Hex Bolts, (12) 12mm Flat Washers and (6) 12mm Nylon Lock Nuts, **(Figures 6A & 6B)**. Do not tighten hardware.
7. Level and adjust the bumper and fully tighten all hardware including the Mounting Bracket to Bumper hardware.
8. Reinstall the license plate lights and trailer plug, **(Figure 7)**. **NOTE:** Use a flat blade screwdriver to carefully pry the metal clip on the plug out to grab the edge of the opening.
9. Use the included (2) push-in plugs to attach the license plate to the Bumper, **(Figure 8)**.
10. **Models with bumper mounted sensors:**
  - a. Remove the rubber plugs from the sockets in the bumper assembly. Push the sensor in from the back of the bumper. Secure each sensor to the socket with (2) 4mm x 10mm Button Head Screws, **(Figure 9)**. **IMPORTANT:** Sensors fit snug in sockets. The 4mm Screws are used to apply slight pressure to lock the sensors in place. Tighten both screws evenly until they touch the sensor body only. Do not overtighten screws or damage to sensors will result.
  - b. Reattach the factory wiring harness to sensors.
11. Attach the wiring harness to the lights and trailer plug.
12. Do periodic inspections to the installation to make sure that all hardware is secure and tight.
13. **LED light installation at ends of bumper** as supplied with bumper or sold separately.
  - a. Insert light into opening and up to mounting slots. Check for clearance between front and back of light. If necessary, remove the screen from the back of the opening for additional clearance or access to light, **(Figure 10)**.
  - b. Follow the light manufacturer’s instructions to attach (1) light to the center slot or (2) lights to the inner and outer slots in the top of the light opening.
  - c. Repeat the above steps for passenger side light installation.
  - d. Follow light manufacturer’s instructions to properly wire the light.
14. Use the included Wire Ties to secure the wiring harness to the bumper and frame as necessary.
15. Do periodic inspections to the installation to make sure that all hardware is secure and tight.

**To protect your investment**, wax this product after installing. Regular waxing is recommended to add a protective layer over the finish. Do not use any type of polish or wax that may contain abrasives that could damage the finish. Mild soap may be used to clean the Bumper assembly.

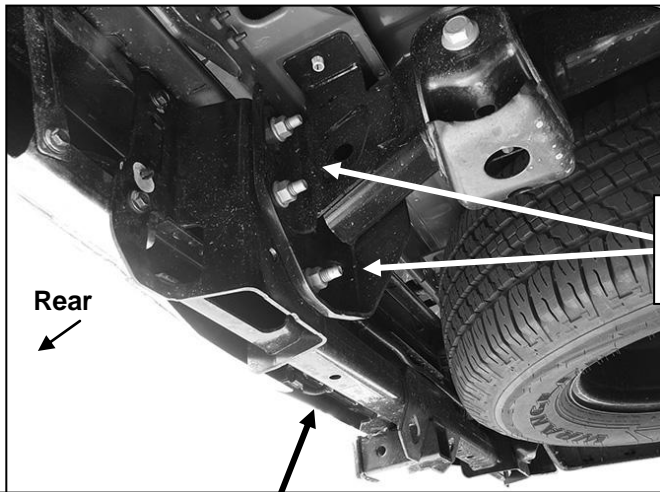
Passenger Side Installation Pictured



(Fig 1) Unplug and remove 7-wire trailer plug

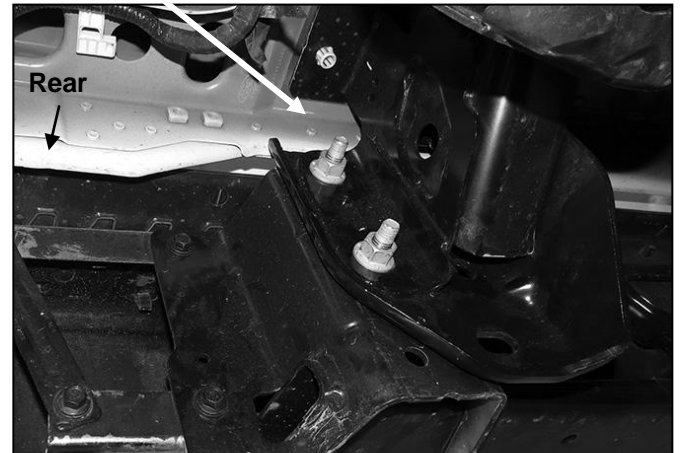


(Fig 2) Unplug license plate lights



Remove the factory hex nuts attaching bumper assembly to frame

(Fig 3A) Note bumper with integrated receiver hitch



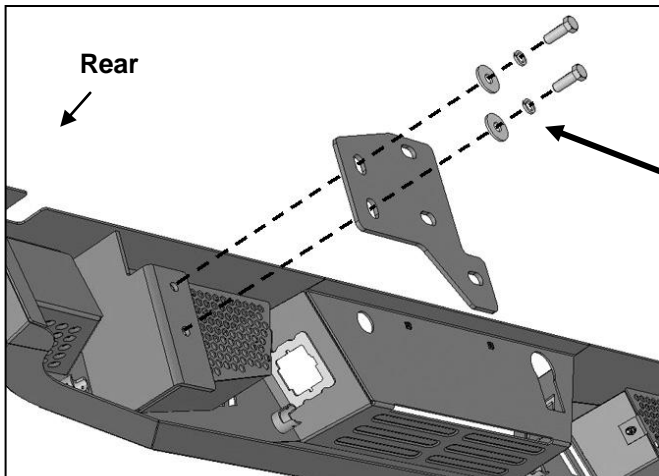
(Fig 3B) Remove the factory hex nuts attaching bumper assembly to frame. STD tow package model pictured (no receiver hitch)



(Fig 4) Passenger side of frame

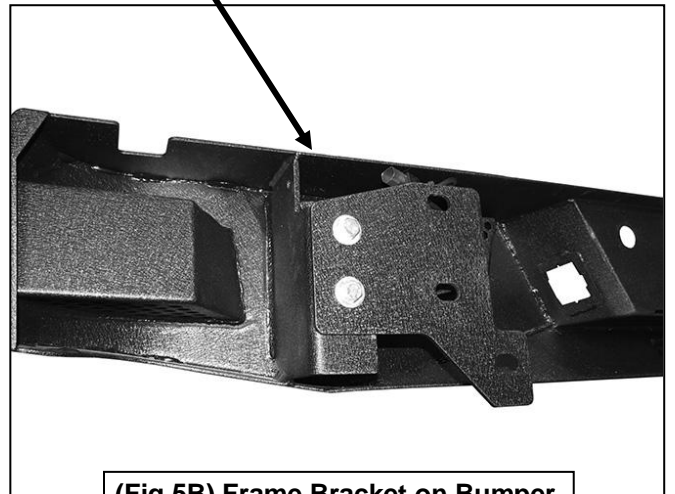
**WARNING!** Do not remove bumper bolts unless the bumper is properly supported on blocks or stands or the bumper may fall.

Passenger Side Installation Pictured



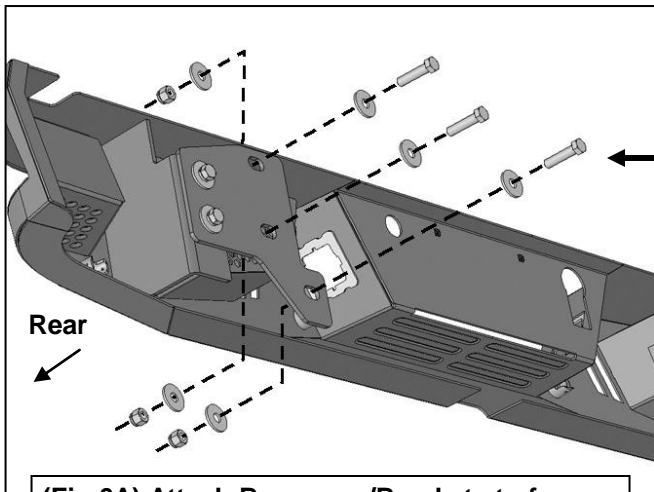
(Fig 5A) Attach Mounting Bracket to back of Bumper

- (2) 12mm x 35mm Hex Bolts
- (2) 12mm Lock Washers
- (2) 12mm Flat Washers



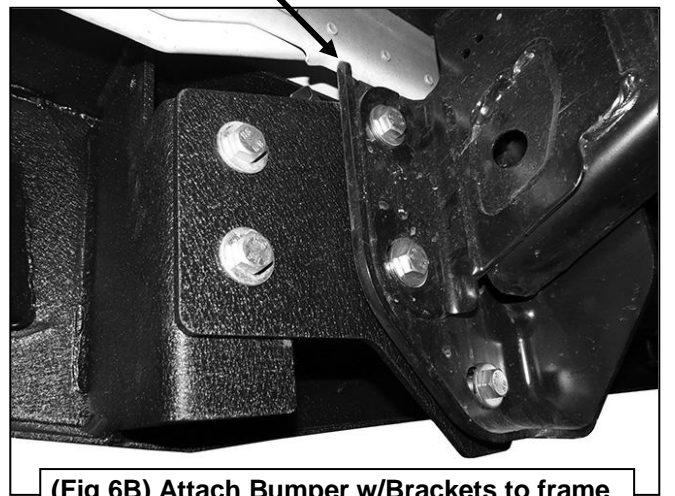
(Fig 5B) Frame Bracket on Bumper

**WARNING!** Do not crawl under bumper unless the bumper is properly supported on blocks or stands or the bumper may fall.



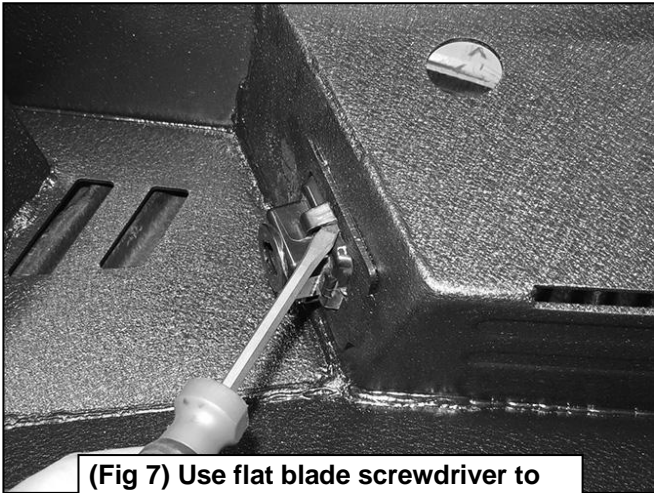
(Fig 6A) Attach Bumper w/Brackets to frame

- (3) 12mm x 50mm Hex Bolts
- (6) 12mm Flat Washers
- (3) 12mm Nylon Lock Nuts

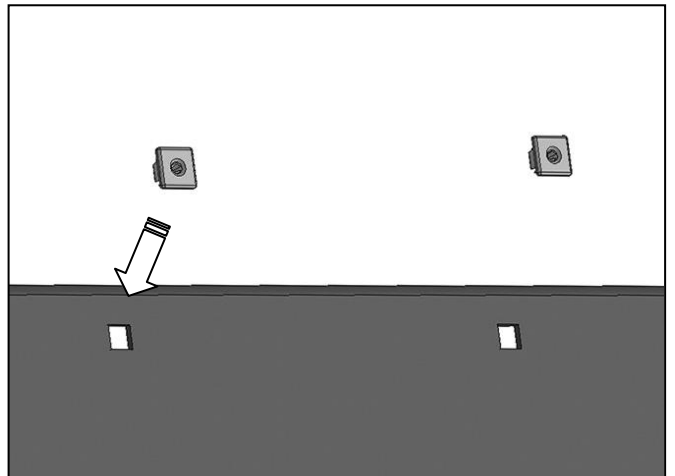


(Fig 6B) Attach Bumper w/Brackets to frame

Passenger Side Installation Pictured

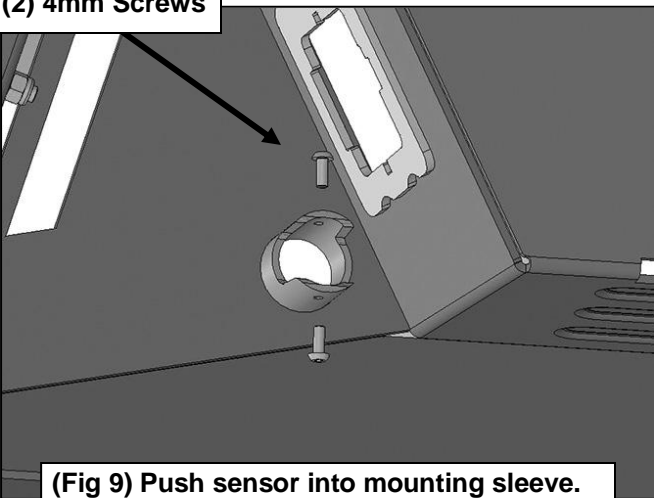


(Fig 7) Use flat blade screwdriver to carefully pry tab to hold light in place



(Fig 8) Push plastic plugs into holes for license plate

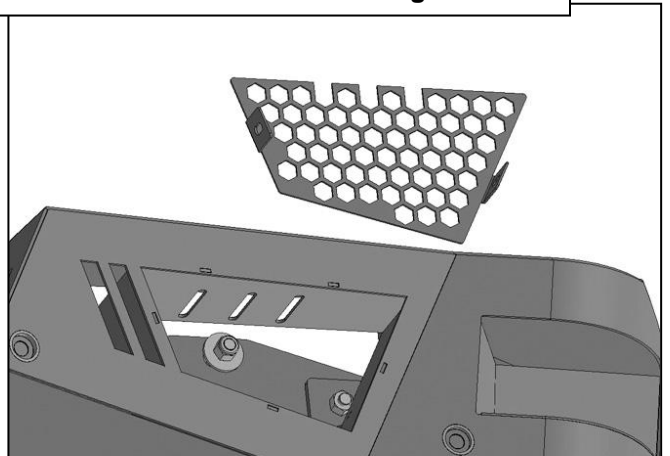
(2) 4mm Screws



(Fig 9) Push sensor into mounting sleeve. Use 4mm Screws to lock sensor in place.

**IMPORTANT:** Sensors fit snug in sockets. The 4mm Screws are only used to apply slight pressure to lock the sensors in place. Tighten both screws evenly until they touch the sensor body only. Do not overtighten screws or damage to sensors will result.

Remove screens if necessary for additional clearance around or access to lights



(Fig 10) Attach single light to center slot or use inner and outer slots for dual lights



Complete Installation