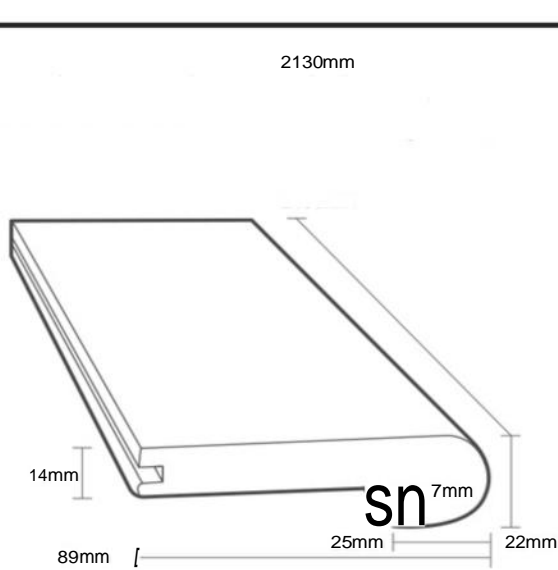
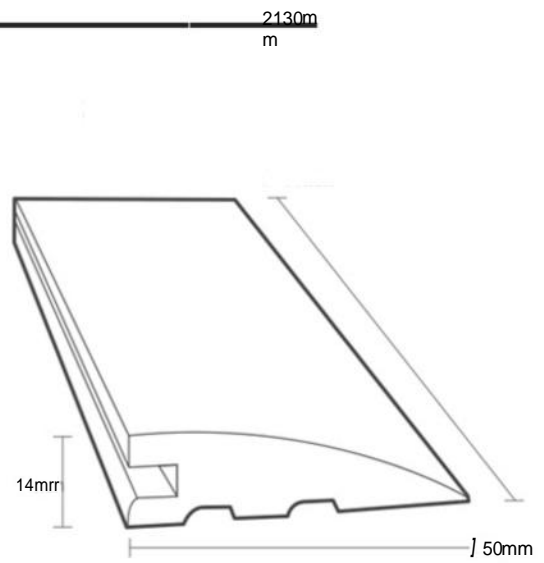


Hardwood Molding Specifications



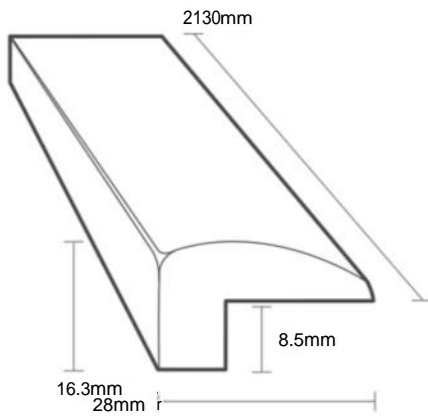
Staimose

Thickness:14mm Width:89mm LENGTH: 2130mm



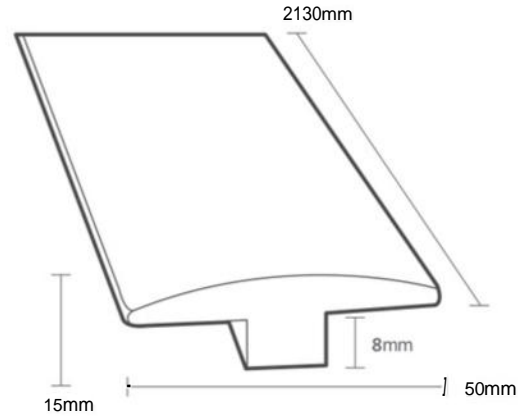
Reducer

Thickness 14mm Width: 50mm LENGTH:2130mm



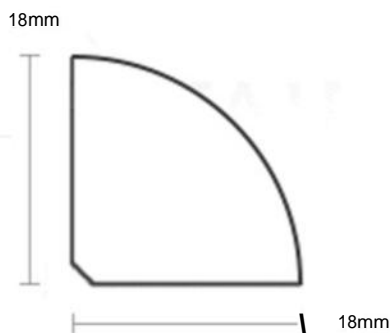
Baby Threshold

Thickness 16.3mm Width: 28mm LENGTH: 2130mm



T-Mold

Thickness:15mm Width:50mm LENGTH:2130mm



Quarter Round

LENGTH: 2130mm

