

1000M PoE Injector Datasheet

Overview

Description

The PoE injector (adapter) is a device that allows you to combine power and network connectivity to your PoE-enabled devices using the same Cat5/5e or Cat6 twisted pair cable. It is suitable to be used with WisGate Edge Series Gateways and WisHat RAK9003 PoE Raspberry Hat.

Features

- Input: 100-240 V_{AC} (50~60 Hz)
- Output: 48.0 V_{DC} 0.5 A
- Overcurrent protection
- IEEE 802.3af compliant
- Supports 10/100/1000 Mbps Ethernet
- Dimension: 104 x 53.5 x 33.5 mm (±1 mm)

Specifications

Overview

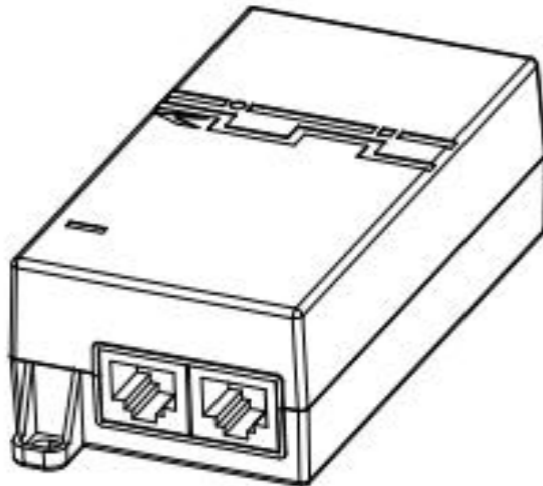


Figure 1: 100m PoE Injector overview

Hardware

Interfaces

- 1x AC Input 100-240 V power input

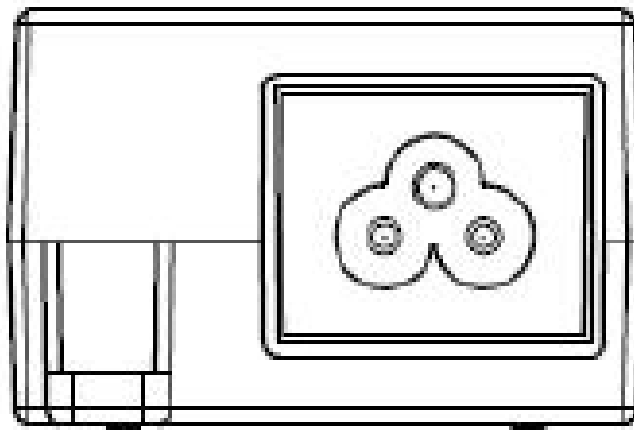


Figure 2: Power input interface

- 1x PoE RJ45 connection to the PoE-enabled device

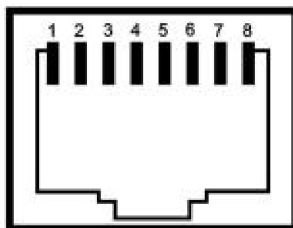
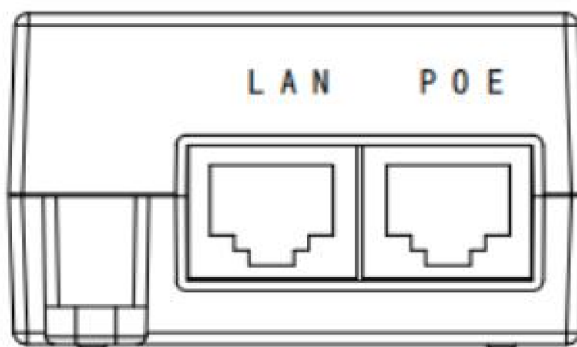


Figure 3: RJ45 PoE and LAN interface and pins

Pin	Designation
4 and 5	Positive
7 and 8	Negative
1, 2, 3, and 6	For data communication, directly connected to RJ45 LAN 1, 2, 3, and 6

- 1x LAN RJ45 connection to the network

Pin	Designation
1, 2, 3, and 6	For data communication, directly connected with RJ45 PoE 1, 2, 3, and 6

Pin	Designation
4, 5, 7, and 8	Not connected

Electrical Characteristics

Parameter	Value
Input	100-240 V _{AC} (50~60 Hz)
Output	48.0 V _{DC} 0.5 A (±5%)
PoE standard	IEEE 802.3af
EMC standards	EN55032, EN55013, EN55024, EN55020, FCC Part 15 Class B, GB9254, GB17625.1; Tested according to EN61000-4-4; Tested according to EN61000-4-5

Environmental Characteristics

Feature	Specifications
Type of use	Indoor
Operating temperature	-20 to 40 °C
Storage temperature	-30 to 70 °C
Operating humidity	35~90% RH non-condensing
Storage humidity	10~95% RH non-condensing
Enclosure material	Plastic
Weight	140 g (±5 g)
Dimensions	113.6 x 53.5 x 33.5 mm (±1 mm)
Mean time before failure (MTBF)	≥ 50,000 hours

Mechanical Characteristics

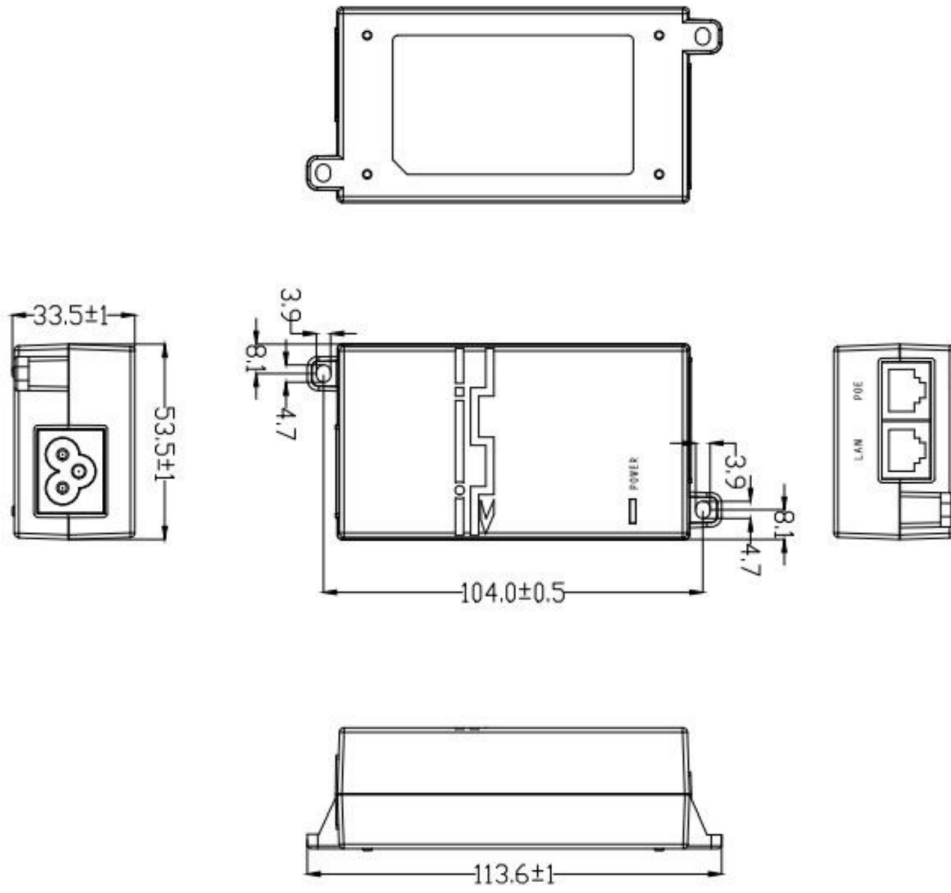


Figure 4: Mechanical Dimensions