

858-878MHz 8dBi Fiberglass Antenna Datasheet

Overview

Features

- Frequency Range: 858~878 MHz
- Max Gain: 8.0 dBi
- VSWR: ≤ 1.5
- High efficiency
- Vertically polarized dipole
- Easy to mount with the included Installation kit



Figure 1: 858~878MHz 8dBi Fiberglass Antenna Overview

Specifications

Model	RAKARG16
Frequency Range	858 MHz~878 MHz
Peak Gain	8.0 dBi (± 1 d Bi)
VSWR	≤ 1.5
Efficiency	$\leq 69\%$
Feed Impedance	50 Ω
Polarization	Vertical
Cover Material(color)	Fiberglass (White)
Connector Type	N-type male
Dimensions (mm)	$\Phi 25.0$ mm x 1300.0 mm
Operation Temp (°C)	-30 °C ~ +65 °C
Humidity Range	5%~95%

VSWR

Frequency(MHz)	VSWR
858 MHz	1.32

Frequency(MHz)

VSWR

868 MHz

1.19

878 MHz

1.21

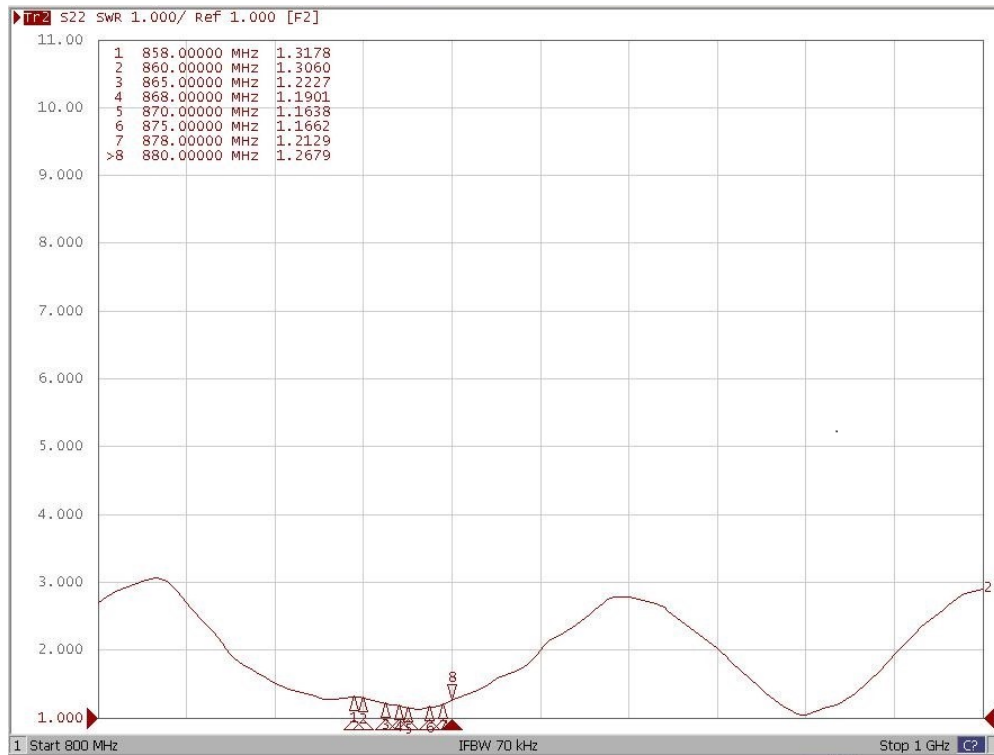


Figure 2: 858~878MHz 8dBi Fiberglass Antenna VSWR graph

Peak Gain & Efficiency

Frequency (MHz)	Gain (dBi)	Efficiency (%)
858	7.6	69
863	7.5	69
868	7.4	69
873	7.4	68
878	7.4	68
Average:		68.6

Radiation Patterns

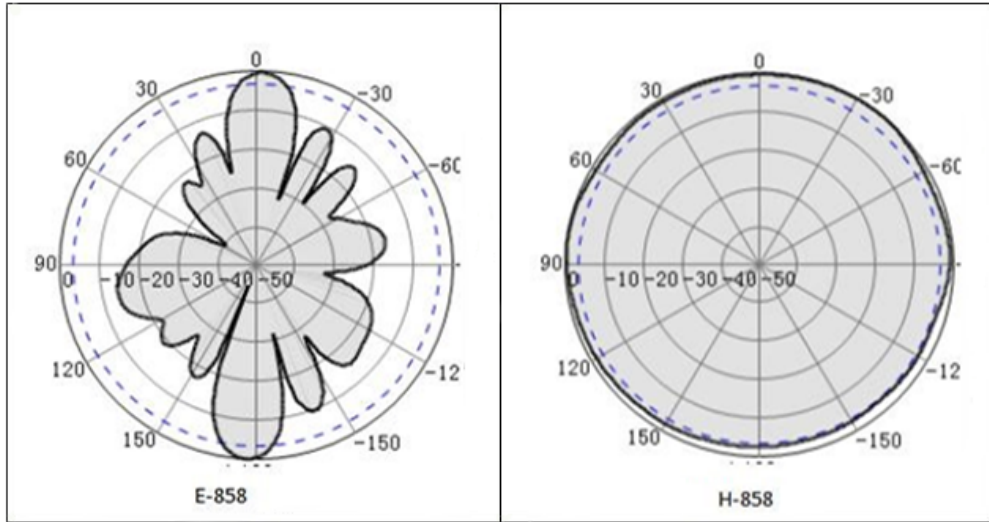


Figure 3: Radiation pattern at 858MHz

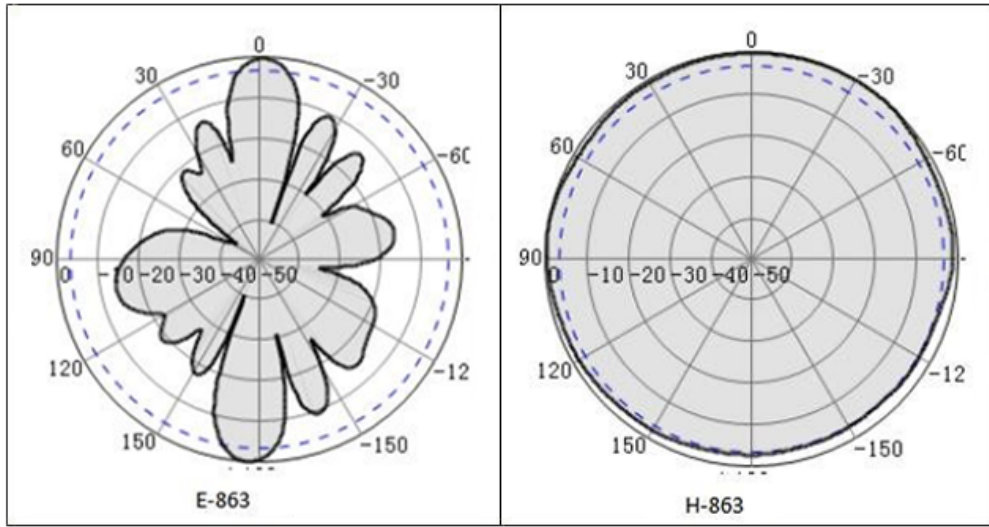


Figure 4: Radiation pattern at 863MHz

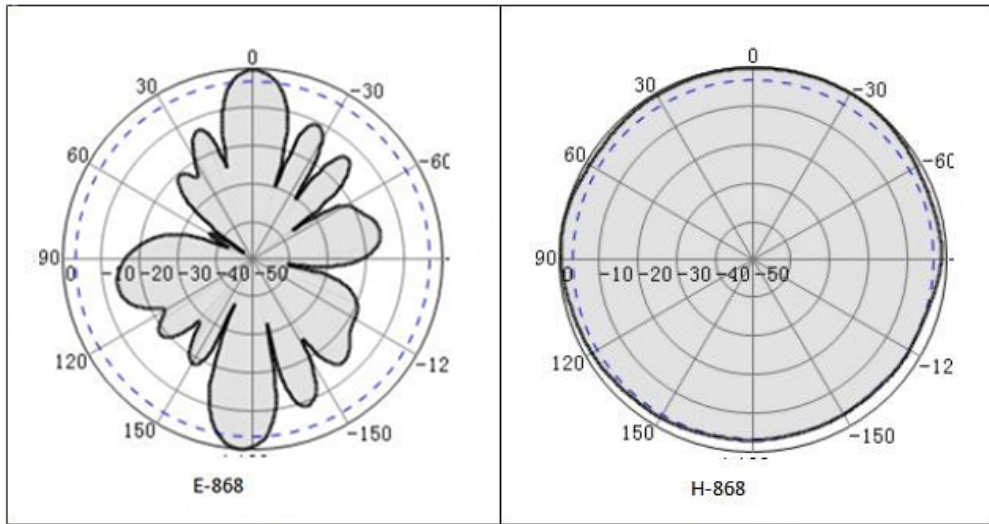


Figure 5: Radiation pattern at 868MHz

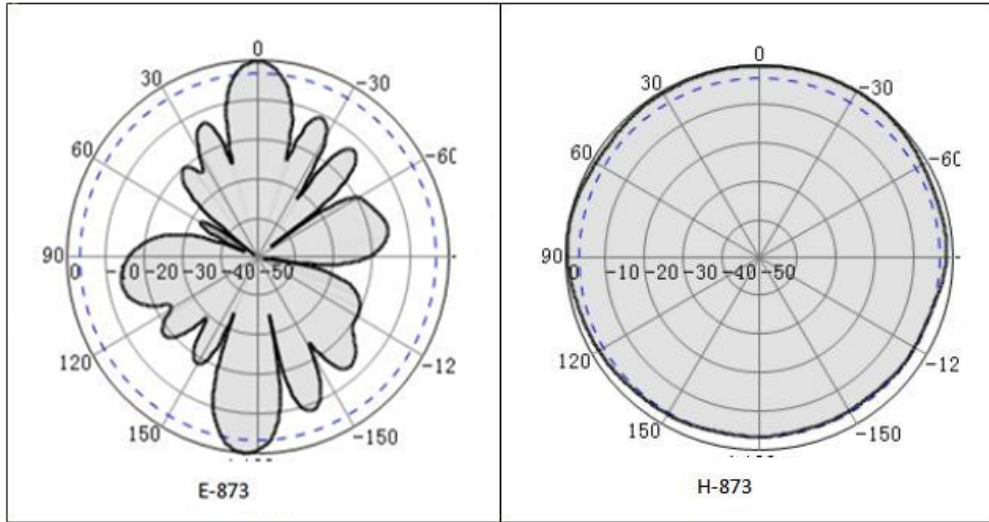


Figure 6: Radiation pattern at 873MHz

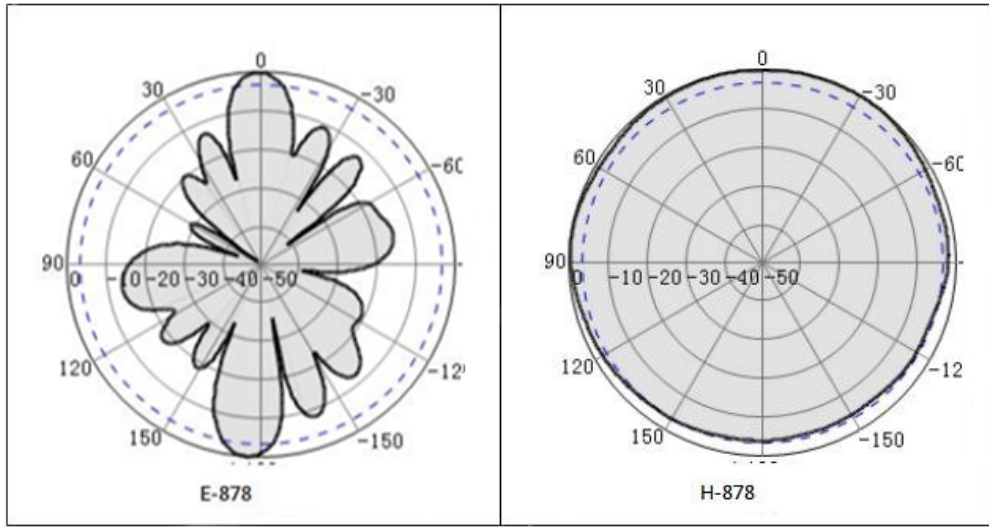


Figure 7: Radiation pattern at 878MHz

Mechanical Characteristics

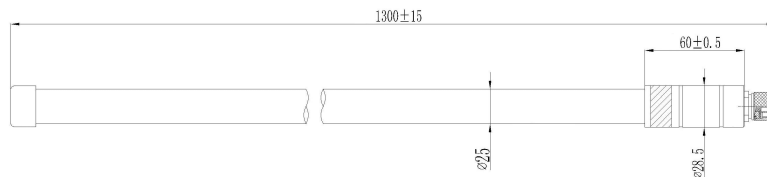


Figure 8: 858-878MHz 8dBi Fiberglass Antenna dimensions