



LoRaWAN[®] Controller

UC11 Series

User Guide



Applicability

This guide is applicable to UC11 series controllers shown as follows, except where otherwise indicated.

Model	Description
UC1114	2 × Digital Inputs, 2 × Digital Outputs
UC1122	1 × Digital Input, 1 × Digital Output, 2 × Analog Inputs
UC1152	1 × Digital Input, 1 × Digital Output, 1 × RS232, 1 × RS485

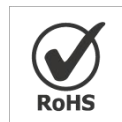
Safety Precautions

Milesight will not shoulder responsibility for any loss or damage resulting from not following the instructions of this operating guide.

- ❖ The device must not be remodeled in any way.
- ❖ Do not place the device close to objects with naked flames.
- ❖ Do not place the device where the temperature is below/above the operating range.
- ❖ Power off the device when installing or wirings.
- ❖ Make sure electronic components do not drop out of the enclosure while opening.
- ❖ The device must never be subjected to shocks or impacts.

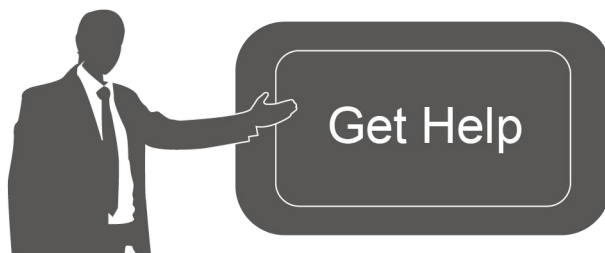
Declaration of Conformity

UC11 series is in conformity with the essential requirements and other relevant provisions of the CE, FCC, and RoHS.



Copyright © 2011-2022 Milesight. All rights reserved.

All information in this guide is protected by copyright law. Whereby, no organization or individual shall copy or reproduce the whole or part of this user guide by any means without written authorization from Xiamen Milesight IoT Co., Ltd.



For assistance, please contact

Milesight technical support:

Email: iot.support@milesight.com

Tel: 86-592-5085280

Fax: 86-592-5023065

Address: Building C09, Software Park III,
Xiamen 361024, China

Revision History

Date	Doc Version	Description
Oct. 13, 2021	V 1.0	Initial version

Contents

1. Product Introduction.....	5
1.1 Overview.....	5
1.2 Features.....	5
2. Hardware Introduction.....	5
2.1 Packing List.....	5
2.2 Hardware Overview.....	6
2.3 LED Indicators.....	7
2.4 Dimensions.....	7
3. Hardware Installation.....	7
3.1 Application Wiring.....	7
3.2 Power Supply.....	8
3.3 Antenna Installation.....	9
3.4 Wall Mounting.....	9
4. Operation Guide.....	9
4.1 Log in the ToolBox.....	9
4.2 LoRaWAN Settings.....	11
4.3 Data Interface Settings.....	14
4.3.1 Basic Settings.....	14
4.3.2 DI/DO Settings.....	14
4.3.3 AI Settings.....	15
4.3.4 RS485 Settings.....	15
4.3.5 RS232 Settings.....	18
4.4 IF-THEN Command.....	19
4.5 Maintenance.....	21
4.5.1 Upgrade.....	21
4.5.2 Reset to Factory Default.....	21
5. Milesight IoT Cloud Management.....	22
6. Device Payload.....	23

1. Product Introduction

1.1 Overview

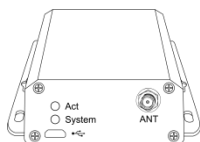
UC11 series is a LoRaWAN® controller used for data acquisition from multiple sensors. It contains different I/O interfaces such as analog inputs, digital inputs, relay outputs, serial ports and so on, which simplify the deployment and replacement of LoRaWAN® networks.

1.2 Features

- Easy to connect with multiple wired sensors through GPIO/AI/RS232/RS485 interfaces
- Long transmission distance up to 15 km with line of sight
- Multiple triggering conditions and actions
- Embedded watchdog for work stability
- Industrial metal case design with with operating temperature range
- Compliant with standard LoRaWAN® gateways and network servers
- Quick and easy management with Milesight IoT Cloud solution

2. Hardware Introduction

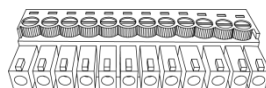
2.1 Packing List



1 × UC11 Series
Device



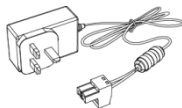
1 × LoRa
Antenna



1 × 12-Pin Pluggable
Terminal



2 × Wall Mounting
Kits



1 ×
Power Adapter



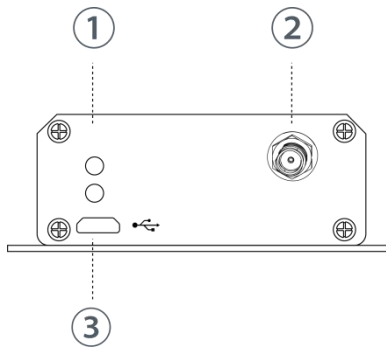
1 × Warranty
Card



If any of the above items is missing or damaged, please contact your sales Representative.

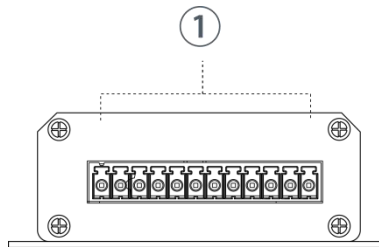
2.2 Hardware Overview

A. Front Panel



- ① LED Indicator Area
SYSTEM: System Indicator
ACT: Network Status Indicator
- ② LoRa Antenna Connector
- ③ Micro USB Port

B. Rear Panel



- ① Data Interfaces & Power Interface

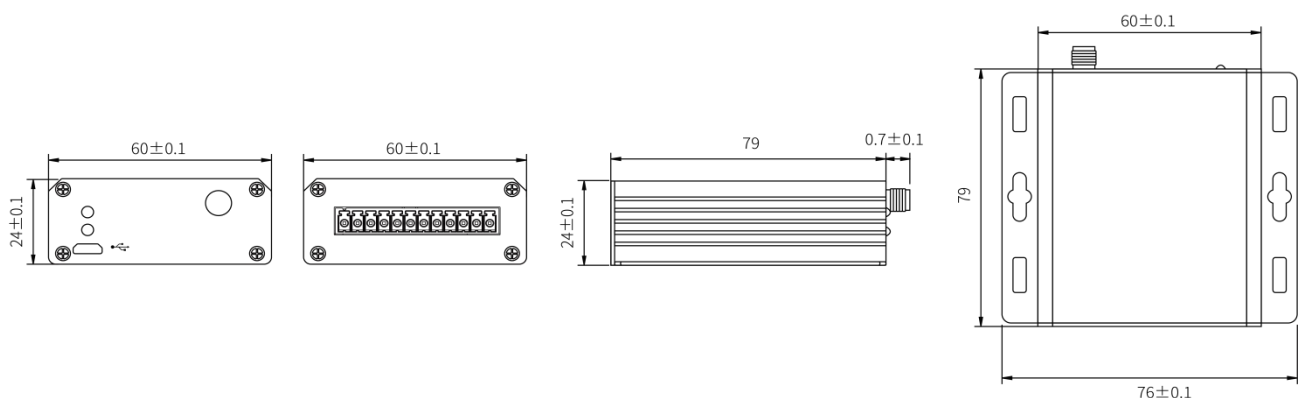
Model	UC1114		UC1122		UC1152	
PIN	Definition	Description	Definition	Description	Definition	Description
1	GND	Ground	GND	Ground	GND	Ground
2	VIN	5-24 VDC	VIN	5-24 VDC	VIN	5-24 VDC
3	IN1	DI 1	NC	Reserved	RXD	RS232
4	IN1_COM		AIN1+	AI 1	TXD	
5	IN2	DI 2	AIN1-	(4-20 mA)	GND	RS485
6	IN2_COM		AIN2+	AI 2	A	
7	OUT1_COM	DO 1	AIN2-	(4-20 mA)	B	DI
8	OUT1_NC		IN	DI	IN	
9	OUT1_NO	DO 2	IN_COM		DO	IN_COM
10	OUT2_COM		OUT_COM	OUT_COM		
11	OUT2_NC		OUT_NC	OUT_NC		
12	OUT2_NO	OUT_NO	OUT_NO			

Note: OUT_NC=Normally Closed, OUT_No=Normally Open.

2.3 LED Indicators

LED	Indication	Status	Description
System	System Status	Static	System Start-up
		On for 500 ms, off for 500 ms	The system is running properly
		On for 200 ms, off for 200 ms	The system does not connect to server
Act	Network Status	Off	Fails to join the network
		On for 500 ms, off for 500 ms	Join the network successfully

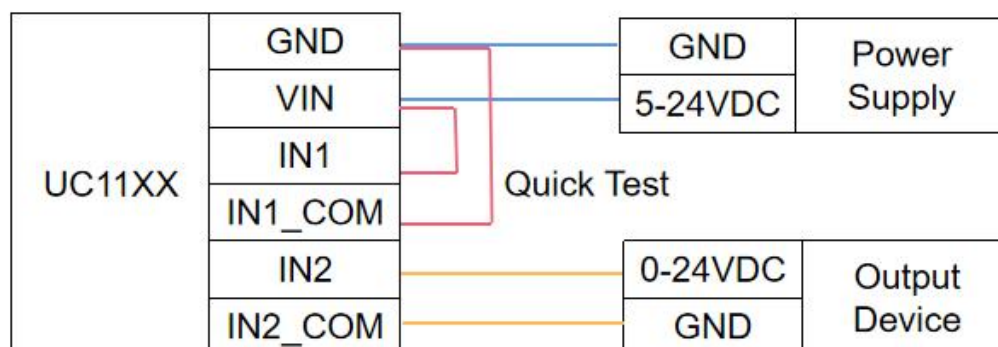
2.4 Dimensions (mm)



3. Hardware Installation

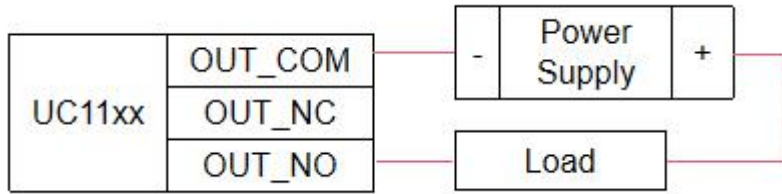
3.1 Application Wiring

Digital Input:

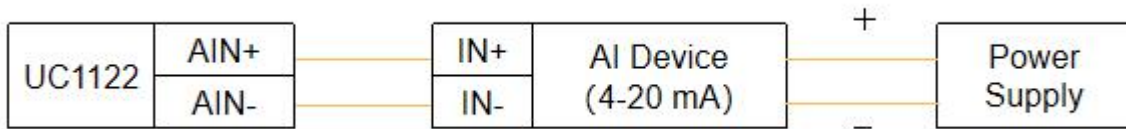


Digital Output:

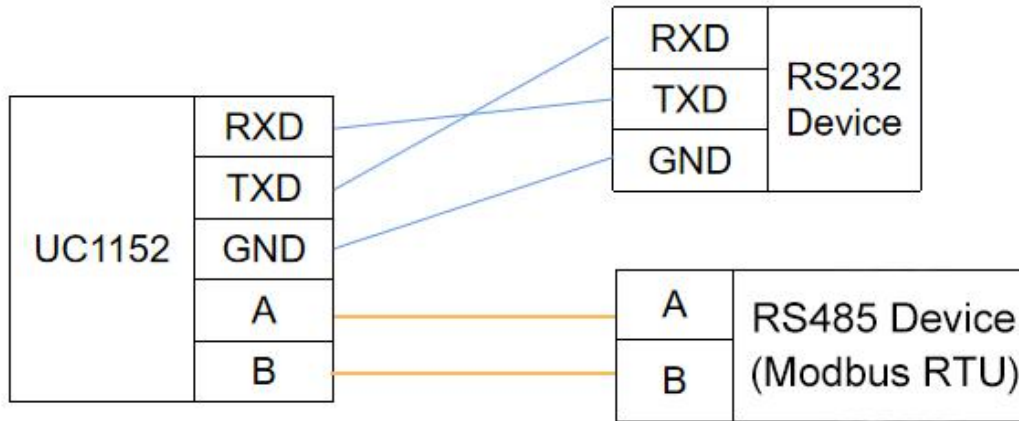
Connect load to either NC or NO according to your application.



Analog Input:



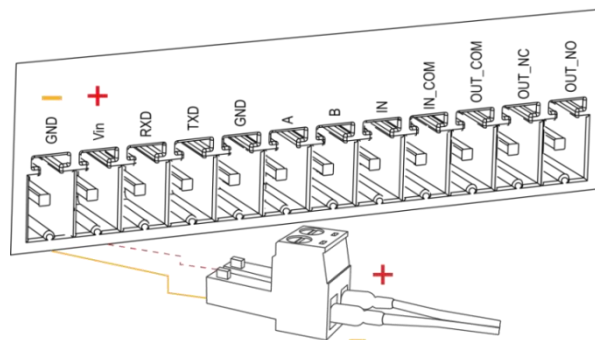
RS232 & RS485:



3.2 Power Supply

UC11 series device support 5-24 VDC power supply. You can use other supplies or power adapter to power on the device.

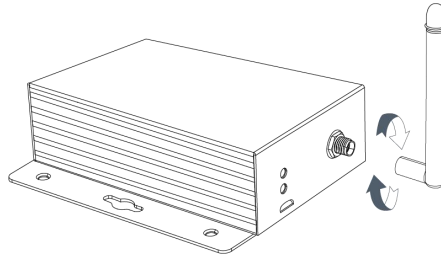
Note: For industrial applications, it's suggested not to release the metal case and use a independent power supply.



3.3 Antenna Installation

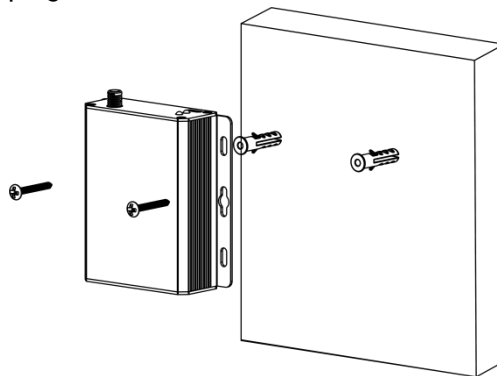
Rotate the antenna into the antenna connector accordingly.

The external LoRa antenna should be installed vertically always on a site with a good signal.



3.4 Wall Mounting

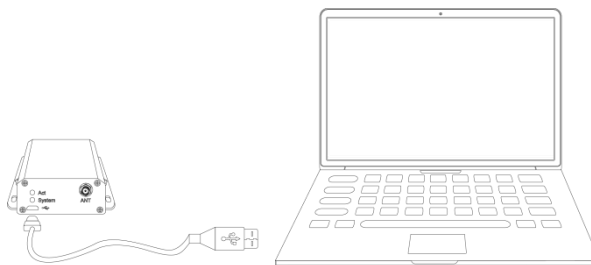
1. Drill 3 holes on the wall according to the device mounting holes, then fix the wall plugs into the wall.
2. Fix the device to the wall plugs with screws.



4. Operation Guide

4.1 Log in the ToolBox

1. Download ToolBox software from [Milesight IoT website](https://www.milesight-iot.com).
2. Power on the UC11 device, then connect it to computer via micro USB port.



3. Open the ToolBox and select type as "General", then click password to log in ToolBox.
(Default password: **123456**)

ToolBox Settings

Type:

Serial port:

Login password:

Baud rate:

Data bits:

Parity bits:

Stop bits:

4. After logging in the ToolBox, you can change device settings.

Status >

Model:	UC1152-915
Serial Number:	6122A4689821
Partnumber:	US915
Firmware Version:	03.11
Hardware Version:	3.0
Local Time:	2020-01-01 00:00:19
Join Status:	De-Activate
RSSI/SNR:	0/0
Datarate:	SF10-DR0
Rx2DR:	SF12-DR8
Channel Name	Humidity,Temperature
Input:	Low
Output:	Low
Uplink Frame-counter:	0
Downlink Frame-counter:	0
Device Time:	2020-01-01 00:00:19

- Status
- General
- LoRaWAN Settings
- Channel
- Command
- Maintenance

4.2 LoRaWAN Settings

LoRaWAN settings is used for configuring the transmission parameters in LoRaWAN® network.

1. Go to “**LoRaWAN -> Basic**” to configure join type, App EUI, App Key and other information. You can also keep all settings by default.

Device EUI	<input type="text" value="24E124122A468982"/>
App EUI	<input type="text" value="24E124C0002A0001"/>
Application Port	<input type="text" value="85"/>
RS232 Port	<input type="text" value="86"/>
Working Mode:	<input type="text" value="Class C"/>
Join Type	<input type="text" value="OTAA"/>
LoRaWAN Version	<input type="text" value="V1.1.0"/>
Application Key	<input type="text" value="*****"/>
Spread Factor	<input type="text" value="SF8-DR2"/>
Confirmed Mode	<input checked="" type="checkbox"/>
Rejoin Mode	<input checked="" type="checkbox"/>
Set the number of packets sent	<input type="text" value="32"/> packets
ADR Mode	<input checked="" type="checkbox"/>

Parameters	Description
Device EUI	Unique ID of the device which can also be found on the label.
App EUI	Default App EUI is 24E124C0002A0001.
Application Port	The port used for sending and receiving data except RS232 data, default port is 85.
RS232 Port (UC1152 Only)	The port used for sending and receiving RS232 data, default port is 86.
Working Mode	It's fixed as Class C.
Join Type	OTAA and ABP mode are available.
LoRaWAN Version	V1.0.2, V1.0.3, V1.1 are available.
Application Key	Appkey for OTAA mode, default is 5572404C696E6B4C6F52613230313823.
Device Address	DevAddr for ABP mode, default is the 5 th to 12 th digits of SN.
Network Session Key	Nwkskey for ABP mode, default is 5572404C696E6B4C6F52613230313823.
Application Session Key	Appskey for ABP mode, default is 5572404C696E6B4C6F52613230313823.

Spread Factor	If ADR is disabled, the device will send data via this spread factor.
Confirmed Mode	If the device does not receive ACK packet from network server, it will resend data 3 times at most.
Rejoin Mode	Reporting interval \leq 30 mins: device will send specific mounts of LoRaMAC packets to check connection status every 30 mins; If no reply after specific packets, the device will re-join. Reporting interval $>$ 30 mins: device will send specific mounts of LoRaMAC packets every to check connection status every reporting interval; If no reply after specific packets, the device will re-join.
ADR Mode	Allow network server to adjust datarate of the device.
Tx Power	Transmit power of device.

Note:

- 1) Please contact sales for device EUI list if there are many units.
- 2) Please contact sales if you need random App keys before purchase.
- 3) Select OTAA mode if you use Milesight IoT cloud to manage devices.
- 4) Only OTAA mode supports rejoin mode.

2. Go to “**LoRaWAN -> Channel**” to select supported frequency and select channels to send uplinks. Make sure the channels match the LoRaWAN® gateway.

The screenshot shows the 'Channel' configuration page in the Milesight IoT web interface. The 'Support Frequency' is set to 'EU868'. Below this, there is a table with columns for 'Index', 'Frequency/MHz', 'Max Datarate', and 'Min Datarate'. The table contains 8 rows, with the first three rows (indices 0, 1, and 2) having their checkboxes checked. The frequencies for these rows are 868.1, 868.3, and 868.5 respectively. The other rows (indices 3, 4, 5, and 6) have their checkboxes unchecked and their frequency fields set to 0. The datarate settings for all rows are '5-SF7BW125' for the maximum and '0-SF12BW125' for the minimum.

<input type="checkbox"/>	Index	Frequency/MHz	Max Datarate	Min Datarate
<input checked="" type="checkbox"/>	0	868.1	5-SF7BW125	0-SF12BW125
<input checked="" type="checkbox"/>	1	868.3	5-SF7BW125	0-SF12BW125
<input checked="" type="checkbox"/>	2	868.5	5-SF7BW125	0-SF12BW125
<input type="checkbox"/>	3	0	5-SF7BW125	0-SF12BW125
<input type="checkbox"/>	4	0	5-SF7BW125	0-SF12BW125
<input type="checkbox"/>	5	0	5-SF7BW125	0-SF12BW125
<input type="checkbox"/>	6	0	5-SF7BW125	0-SF12BW125
<input type="checkbox"/>	7	0	5-SF7BW125	0-SF12BW125

If frequency is one of CN470/AU915/US915, you can enter the index of the channel that you want to enable in the input box, making them separated by commas.

Examples:

1, 40: Enabling Channel 1 and Channel 40

1-40: Enabling Channel 1 to Channel 40

1-40, 60: Enabling Channel 1 to Channel 40 and Channel 60

All: Enabling all channels

Null: Indicates that all channels are disabled

Support Frequency :

Enabled Channel Index:

Channel Index	Frequency/MHz	Channel Spacing/MHz	BW/kHz
0 - 15	915.2 - 918.2	0.2	125
16 - 31	918.4 - 921.4	0.2	125
32 - 47	921.6 - 924.6	0.2	125
48 - 63	924.8 - 927.8	0.2	125
64 - 71	915.9 - 927.1	1.6	500

3. Go to **"LoRaWAN -> Advanced"** to configure advanced settings. You can also keep all values by default.

TXPower	<input type="text" value="0"/>	
Join Delay1	<input type="text" value="5000"/>	ms
Receive Delay1	<input type="text" value="1000"/>	ms
Receive Delay2	<input type="text" value="2000"/>	ms
Join Trials	<input type="text" value="0"/>	
ReTx	<input type="text" value="2"/>	
RX2 Datarate	<input type="text" value="SF12-DR8"/>	
RX2 Channel Frequency	<input type="text" value="923.3"/>	MHz
ACK Timeout	<input type="text" value="2000"/>	ms
Duty Cycle Switch	<input type="checkbox"/>	
Duty Cycle	<input type="text" value="0"/>	%
Uplink Frame Counter	<input type="text" value="7"/>	
Downlink Frame Counter	<input type="text" value="5"/>	

4.3 Data Interface Settings

4.3.1 Basic Settings

Reporting Interval	<input type="text" value="300"/> s
Device Return to Power Supply, DO Status	<input type="text" value="Last Working State"/> ▼
Change Password	<input type="checkbox"/>

Parameters	Description
Reporting Interval	Reporting interval of transmitting data to network server.Default: 600s Note: RS232 transmission will not follow the reporting interval.
Device returns to the power supply state, DO Status	If the device loses power and return to power supply, the device relay output will be low or high according to this parameter.
Change Password	Change the password to loggin ToolBox.

4.3.2 DI/DO Settings

Digital Input:

1. Connect devices to corresponding DI ports according to [section 3.1](#).
2. Go to “**General**” page of UC1114 or “**General -> Basic**” page of UC1122/UC1152, select type as Digital Input.

GPIO Settings

Interface Type	<input type="text" value="Digital Input1"/> ▼
Interface Type	<input type="text" value="Digital Input2"/> ▼

Digital Output:

Connect devices to corresponding DO ports according to [section 3.1](#), then you can send downlinks to trigger the DO.

Pulse Counter:

Pulse counter feature only works with UC11 series hardware version 3.0.

1. Connect devices to corresponding DI ports.

- Go to **"General"** page of UC1114 or **"General -> Basic"** page of UC1122/UC1152, select type as Counter.

GPIO Settings

Interface Type	<input type="text" value="Counter1"/>			
Counter values	<input type="text" value="0"/>	<input type="button" value="Start"/>	<input type="button" value="Refresh"/>	<input type="button" value="Clear"/>
Interface Type	<input type="text" value="Counter2"/>			
Counter2 values	<input type="text" value="0"/>	<input type="button" value="Start"/>	<input type="button" value="Refresh"/>	<input type="button" value="Clear"/>

- Click **"Start"** or **"Stop"** to make the device start/stop counting.
- Check current count values by clicking **"Refresh"**.
- Click **"Clear"** to make the device count from 0.

Note:

- UC11xx only starts counting when it detects 6 pulses from pulse devices;
- UC11xx will send non-changable counting values if you do not click **"Start"**.

4.3.3 AI Settings

UC1122 has two analog inputs for analog device connection.

- Connect analog device to analog input ports.
- Go to **"General"** page to configure range and unit, you can keep all settings by default.

Analog Input 1 ?

Osh	<input type="text" value="20.00"/>
Osl	<input type="text" value="4.00"/>
Unit	<input type="text" value="mA"/>

Analog Input 2 ?

Osh	<input type="text" value="20.00"/>
Osl	<input type="text" value="4.00"/>
Unit	<input type="text" value="mA"/>

4.3.4 RS485 Settings

UC1152 has one RS485 port for Modbus RTU device connection.

- Connect RS485 device to RS485 port.
- Go to **"General -> RS485"** to enable RS485 and configure serial port settings. Serial port settings should be the **same** as RS485 terminal devices.

RS485

RS232

Enable	<input checked="" type="checkbox"/>
Baud Rate	<input type="text" value="9600"/>
Data Bit	<input type="text" value="8 bits"/>
Stop Bit	<input type="text" value="1 bits"/>
Parity	<input type="text" value="None"/>
Modbus RS485 bridge LoRaWAN ?	<input checked="" type="checkbox"/>
Port ?	<input type="text" value="123"/>

Parameters	Description
Baud Rate	4800/9600/19200/38400/57600/115200 are available.
Data Bit	8 bit is available.
Stop Bit	1 bit/2 bit are available.
Parity	None, Odd and Even are available.
Modbus RS485 bridge LoRaWAN	If this mode is enabled, UC1152 will transparent Modbus RTU commands from network server to RS485 terminal devices and send Modbus reply originally back to network server. Port: Select from 2-84, 86-223.

3. Go to “**Channel**” page, click + to add Modbus channels, then save configurations.

Channel >

Execution Interval ms Max Resp Time ms Max Retry Times

Channel ID	Name	Slave ID	Address	Quantity	Type	Sign	Decimal Place	Value	
<input type="text" value="1"/>	<input type="text" value="Humidity"/>	<input type="text" value="1"/>	<input type="text" value="0"/>	<input type="text" value="1"/>	<input type="text" value="Holding Register(INT16)"/>	<input checked="" type="checkbox"/>	<input type="text" value="1"/>	<input type="text"/>	<input type="button" value="Fetch"/> <input type="button" value="X"/>
<input type="text" value="2"/>	<input type="text" value="Temperature"/>	<input type="text" value="1"/>	<input type="text" value="1"/>	<input type="text" value="1"/>	<input type="text" value="Holding Register(INT16)"/>	<input checked="" type="checkbox"/>	<input type="text" value="1"/>	<input type="text"/>	<input type="button" value="Fetch"/> <input type="button" value="X"/> <input type="button" value="+"/>

Up to 16 channels

Parameters	Description
Execution	The execution interval between each Modbus command.

Interval	
Max Resp Time	The maximum response time that the UC1152 waits for the reply to the command. If it does not get a response after the max response time, it is determined that the command has timed out.
Max Retry Time	Set the maximum retry times after device fails to read data from RS485 terminal devices.
Channel ID	Select the channel ID you want to configure, 16 channels selectable.
Name	Customize the name to identify every Modbus channel.
Slave ID	Set Modbus slave ID of terminal device.
Address	The starting address for reading.
Quantity	Set read how many digits from starting address. It fixes to 1.
Type	Select data type of Modbus channels.
Sign	The tick indicates that the value has a plus or minus sign.
Decimal Place	Indicate the decimal place of the channel reading. Example: the channel value is 1234, and a Decimal Place is set to 2, then the actual value is 12.34.

Example: If you configure as following picture, UC1152 will send Modbus read command to terminal device regularly: 01 03 00 00 00 01 84 0A

Channel ID	Name	Slave ID	Address	Quantity	Type	Sign	Decimal Place	Value	
1	Temperature	1	0	1	Holding Register(INT16)	<input type="checkbox"/>	0		Fetch <input type="button" value="X"/> <input type="button" value="+"/>
Save									Up to 16 channels

4. Click "Fetch" to check if UC1152 can read correct data from terminal devices.

Channel ID	Name	Slave ID	Address	Quantity	Type	Sign	Value	
1	1	1	16	1	Input Register(INT16)	<input type="checkbox"/>	554	<input checked="" type="checkbox"/> Fetch <input type="button" value="X"/>
2	2	2	12	1	Holding Register(INT16)	<input type="checkbox"/>		Fetch <input type="button" value="X"/>
3	1	1	17	1	Input Register(INT16)	<input type="checkbox"/>		Fetch <input type="button" value="X"/> <input type="button" value="+"/>

Note:

- 1) Do not click "Fetch" frequently since response time to reply is differ for every terminal device.
- 2) For hardware version 1.x/2.x, UC1152 supports 8 Modbus channels; for hardware version 3.0, UC1152 supports 16 Modbus channels.

4.3.5 RS232 Settings

UC1152 has one RS232 for device transparent communication.

1. Connect RS232 device to RS232 port.
2. Go to **General -> RS232** to enable RS232 and configure serial port settings. Serial port settings should be the **same** as RS232 terminal devices.

RS485	RS232
Enable	<input checked="" type="checkbox"/>
Baud Rate	115200
Data Bit	8 bits
Stop Bit	1 bits
Parity	None
Packet Length	256 byte
Serial Frame Interval	100 ms

Parameters	Description
Baud Rate	4800/9600/19200/38400/57600/115200 are available.
Data Bit	8 bit is available.
Stop Bit	1 bit/2 bit are available.
Parity	None, Odd and Even are available.
Packet Length	When UC1152 receive RS232 data up to this length, it will fragment it as a single packet and send to network server.
Serial Frame Interval	The interval that the device sends out real serial data stored in the buffer area to public network. The range is 10-65535 milliseconds. Note: data will be sent out to public network when real serial data size reaches the preset packet size, even though it's within the serial frame interval.

4.4 IF-THEN Command

UC11 series support configuring locally IF-THEN commands to do some actions automatically even without network connection. Besides, you can backup your command settings and import to other devices.

1. Go to “Command” page, click “Read command From Device” to check device command settings. If there is not any command or you need to change one command, click “Edit”.

The screenshot shows the 'Settings >' page with a sidebar on the left containing icons for Status, General, LoRaWAN Settings, Channel, and Command. The main content area has four buttons: 'Read command From Device', 'Read a command File', 'Save the command to Device', and 'Save the command as File'. Below these buttons is a table with the following data:

ID	Configuration	Edit	Delete
1	If digital input1 and remaining inactive for longer than 2359.3s, then send a custom message and it will not allowed to trigger again until 65.536s has elapsed.		
2			
3			
4			

Configuration for command NO.1

If
 is continued for
 Set lockout time
Then **content is** +

2. Set a IF condition based on the terminal device data or UC11 device status.

Condition	Description
Time	Set the time condition. The device time can be synced in Status page or you can send downlink command to configure the time.
Digital Input	When UC11 device detect the DI as a specific status. is continued for: the DI changed status should last for some time. Set lockout time: after the lockout time, UC11 device will detect if DI status matches the condition. 0 means this IF condition will only be detected once.

Received a message	When UC11 device receive a specific message from network server. The NS message hex format is ff12+message length + message content. Example: set the message content as character "P", then you need to send message as ff120450.(whole message length is 4 bytes, 50 means "P").
The Device Restarts	Reboot the device.
Channel	When Modbus channel reaches a specific value/range. This only works in UC1152 device. is continued for: the Modbus channel value should last for some time. Set lockout time: after the lockout time, UC11 device will detect if Modbus value matches the condition. 0 means this IF condition will only be detected once.
Analog	When analog value reaches a specific value/range. This only works in UC1122 device. is continued for: the analog value should last for some time. Set lockout time: after the lockout time, UC11 device will detect if analog value matches the condition. 0 means this IF condition will only be detected once.
Counter	When pulse counter reaches a specific value. This only works when DI works as counter mode.

3. Set THEN action according to your request. You can add at most 3 actions in one command.

Action	Description
Send a custom message	Send message to network server.
Output Trigger	DO can be set to activated/de-activated/change status. Delay Time: this action will trigger after a specific time; Duration: the output status will last for a specific time, 0 means permanent.
Restart the Device	Reboot the device.

4. Save the command, then click "Save the command to Device" to make it work.

5. Click "Save the command as File" to save your current command settings to a .dat file. If you need to import it to other device, click "Read a command File" to import the .dat file.

4.5 Maintenance

4.5.1 Upgrade

UC11 series support upgrade locally via ToolBox software.

1. Download firmware from www.milesight-iot.com to your PC.
2. Go to “**Maintenance -> Upgrade**”, click “**Browse**” to import firmware and upgrade the device.

Note: Any operation on ToolBox is not allowed during upgrading, otherwise the upgrading will be interrupted, or even the device will break down.

Maintenance >

Upgrade

Model:	UC1152-915		
Firmware Version:	03.11		
Hardware Version:	3.0		
Update Locally	<input type="text"/>	<input type="button" value="Browse"/>	<input type="button" value="Upgrade"/>
Restore Factory Defaults	<input type="button" value="Reset"/>		

4.5.2 Reset to Factory Default

Please select one of following methods to reset device:

Via Hardware: Power off and open the case of UC11, hold on the button on the board and then power on the device at the same time, release the button when the LED blinks.

Via ToolBox Software: Go to “Maintenance->Upgrade” to click “Reset”.

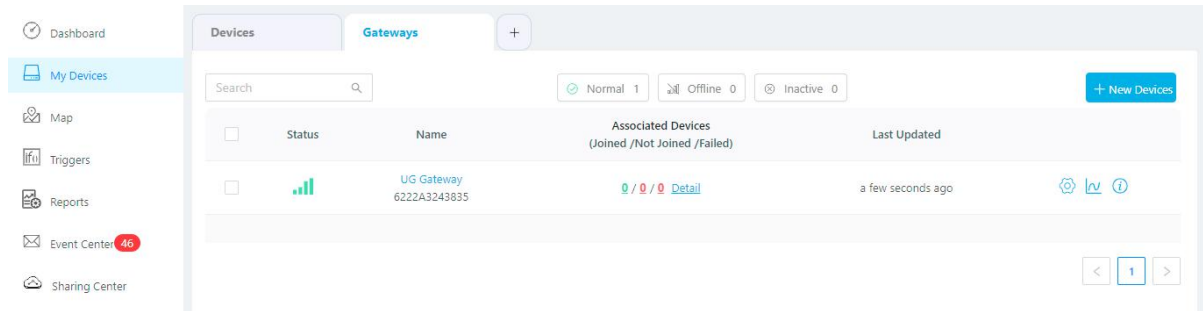
Upgrade

Model:	UC1152-915		
Firmware Version:	03.11		
Hardware Version:	3.0		
Update Locally	<input type="text"/>	<input type="button" value="Browse"/>	<input type="button" value="Upgrade"/>
Restore Factory Defaults	<input type="button" value="Reset"/>		


5. Milesight IoT Cloud Management

UC11 series can be managed by Milesight IoT Cloud platform. Milesight IoT cloud is a comprehensive platform that provides multiple services including device remote management and data visualization with the easiest operation procedures. Please register a Milesight IoT Cloud account before operating following steps.

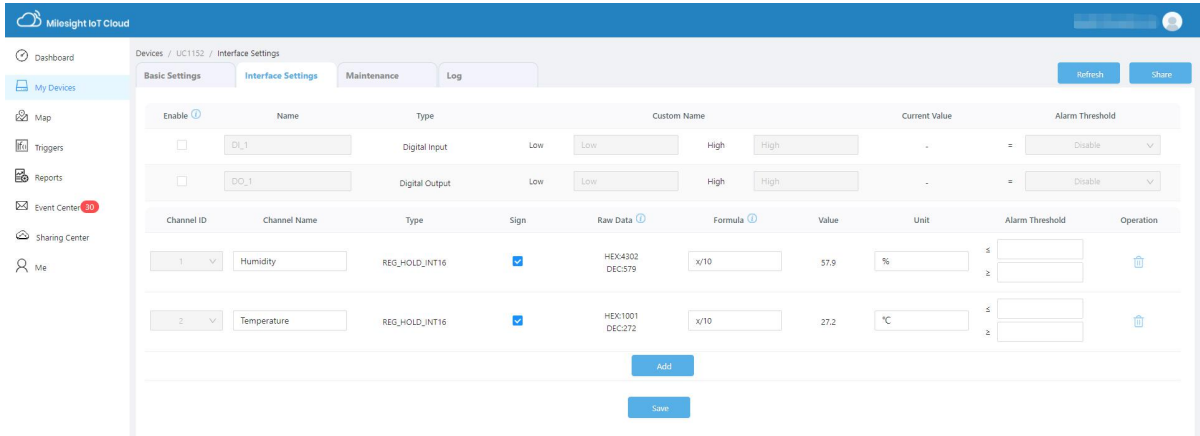
1. Ensure Milesight LoRaWAN® gateway is online in Milesight IoT Cloud. For more info about connecting gateway to cloud please refer to Gateway User Guide.



2. Go to “My Devices” page and click “+New Devices”. Fill in the SN of UC11 series and select associated gateway.

3. After UC11 series is online in Milesight IoT Cloud, click  and go to “Interface Settings” to select used interfaces and customize the name, sign and formulas.

Note: Modbus channel settings should be the same as the configuration in ToolBox.



6. Device Payload

UC11 Series use the standard Milesight IoT payload format based on IPSO. Please refer to the **UC11 Series Communication Protocol**; for decoders of Milesight IoT products please click [here](#).

-END-