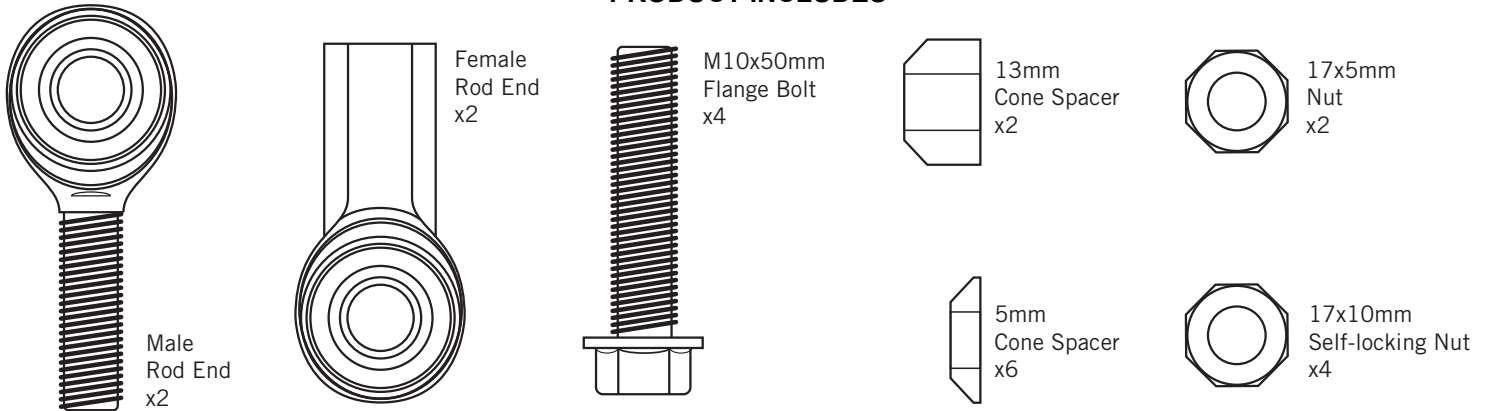




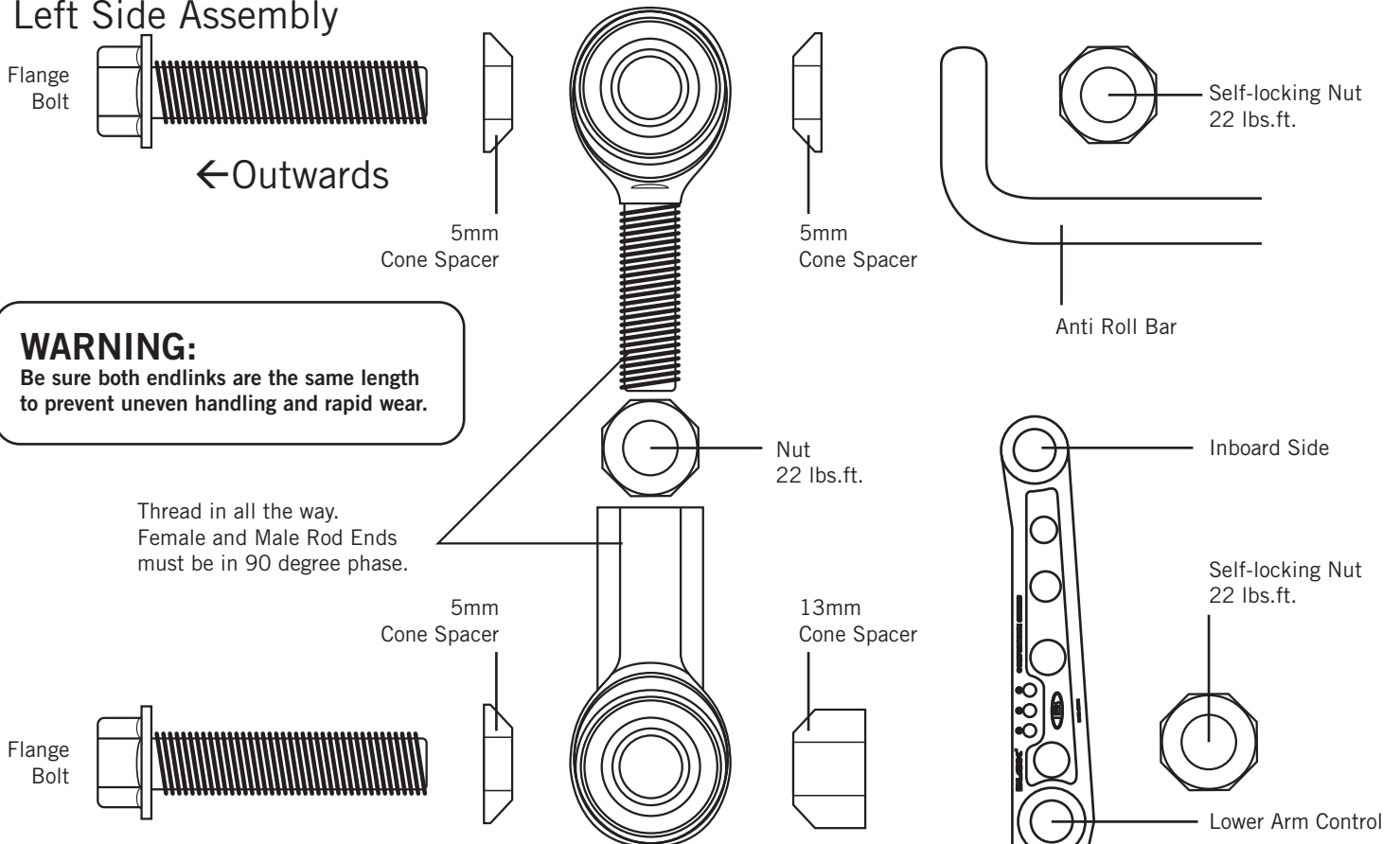
### APPLICATIONS

1992-2000 HONDA CIVIC  
1994-2001 ACURA INTEGRA

### PRODUCT INCLUDES



### Left Side Assembly



### WARNING:

Be sure both endlinks are the same length to prevent uneven handling and rapid wear.

Thread in all the way. Female and Male Rod Ends must be in 90 degree phase.

### TIP:

- Adjusting endlinks to minimum length is ideal for most conditions.
- Manipulate 13mm cone spacer location to achieve vertical endlink position at ride height.