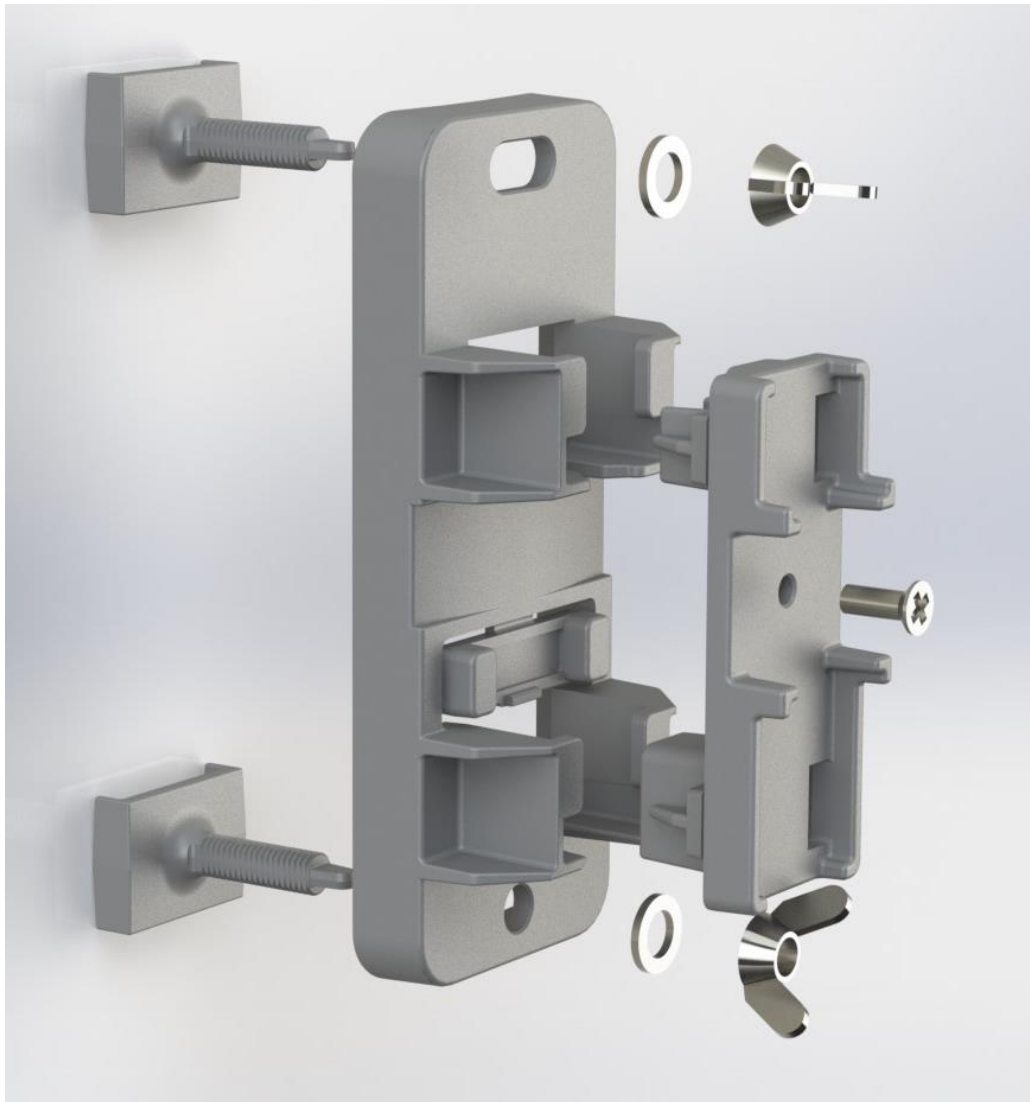


OPT Universal Bracket Specification



Product Description

The OPT Universal Bracket is a unique system designed to support a Fibre Node within a footway box or on a pole, or wall. When used in a Footway box, it is designed to be fitted to a MOBRA Arm or Universal Strut. All components are moulded from Glass reinforced plastic.

The Main Body is held onto the MOBRA Arm by two smaller Brackets known as Clamp Screws. These are held in place by metal Wing Nuts. The Node Clamp is designed to hold the Node rings. The Node Clamp assembly clips into place on the Main Body. A single-handed release mechanism is used to remove the Node Clamp from Universal Bracket.

In BT this assembly is known as the TM Series S/M Node UG Bracket (BT Item Code: 113395)

The unit is moulded and assembled in the UK.



This document is intended for guidance only. Whilst the information it contains is correct at the time of publication, OPT Services UK Limited reserves the right to make changes to this document without notice. This document is protected by copyright © OPT Services [2023]. The products depicted herewith are protected by intellectual property rights. Any unauthorised copying of this document or of our products is prohibited and OPT Services UK Limited will take action to prevent any infringement of its rights to claim damages for the loss that it suffers.

Universal Bracket Design Features

- Designed to support a Fibre Node within a footway box, on a pole or a wall
- Compatible with a MOBRA Arm or Universal Strut
- Quick and simple installation – no longer than 30 seconds to mount
- Fully adjustable when attached
- All components are moulded from Glass reinforced plastic
- Elements fit together without tools
- Bracket locking mechanism means node cannot be removed without releasing the lock
- Single handed release of Node from bracket
- Customisable – the Node Clamp can be easily adapted or enhanced to support other nodes

Application Notes

The image below shows the Universal Bracket mounted to a MOBRA with a representative Node in place.

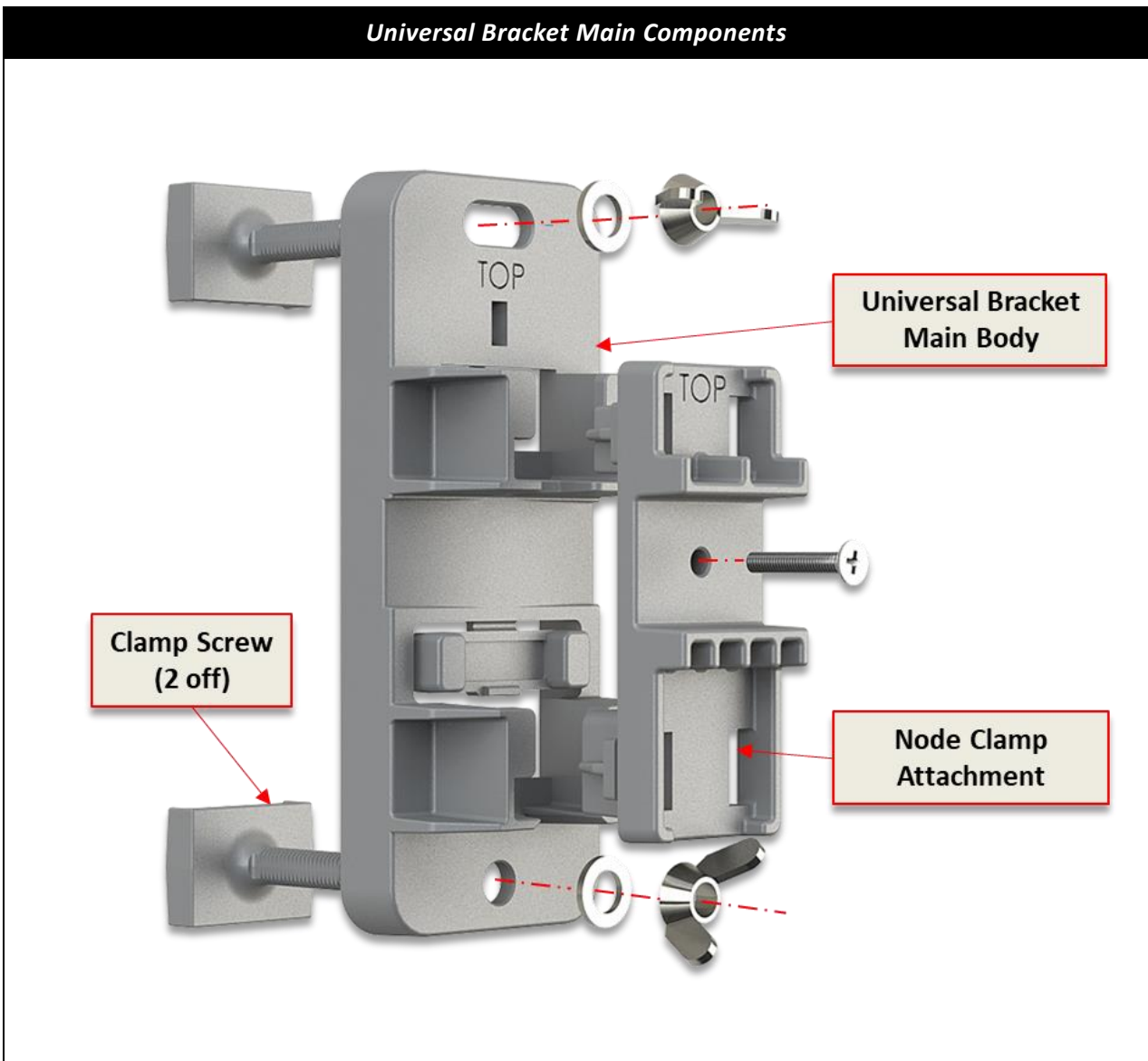
Detailed installation instructions for all options are available from OPT Services or from a QR code on the packaging.



This document is intended for guidance only. Whilst the information it contains is correct at the time of publication, OPT Services UK Limited reserves the right to make changes to this document without notice. This document is protected by copyright © OPT Services [2023]. The products depicted herewith are protected by intellectual property rights. Any unauthorised copying of this document or of our products is prohibited and OPT Services UK Limited will take action to prevent any infringement of its rights to claim damages for the loss that it suffers.

Components & Part Numbers

Consisting of four moulded parts the Universal Bracket is available as a kit that includes the wing nuts and washers needed when fixing to a MOBRA.

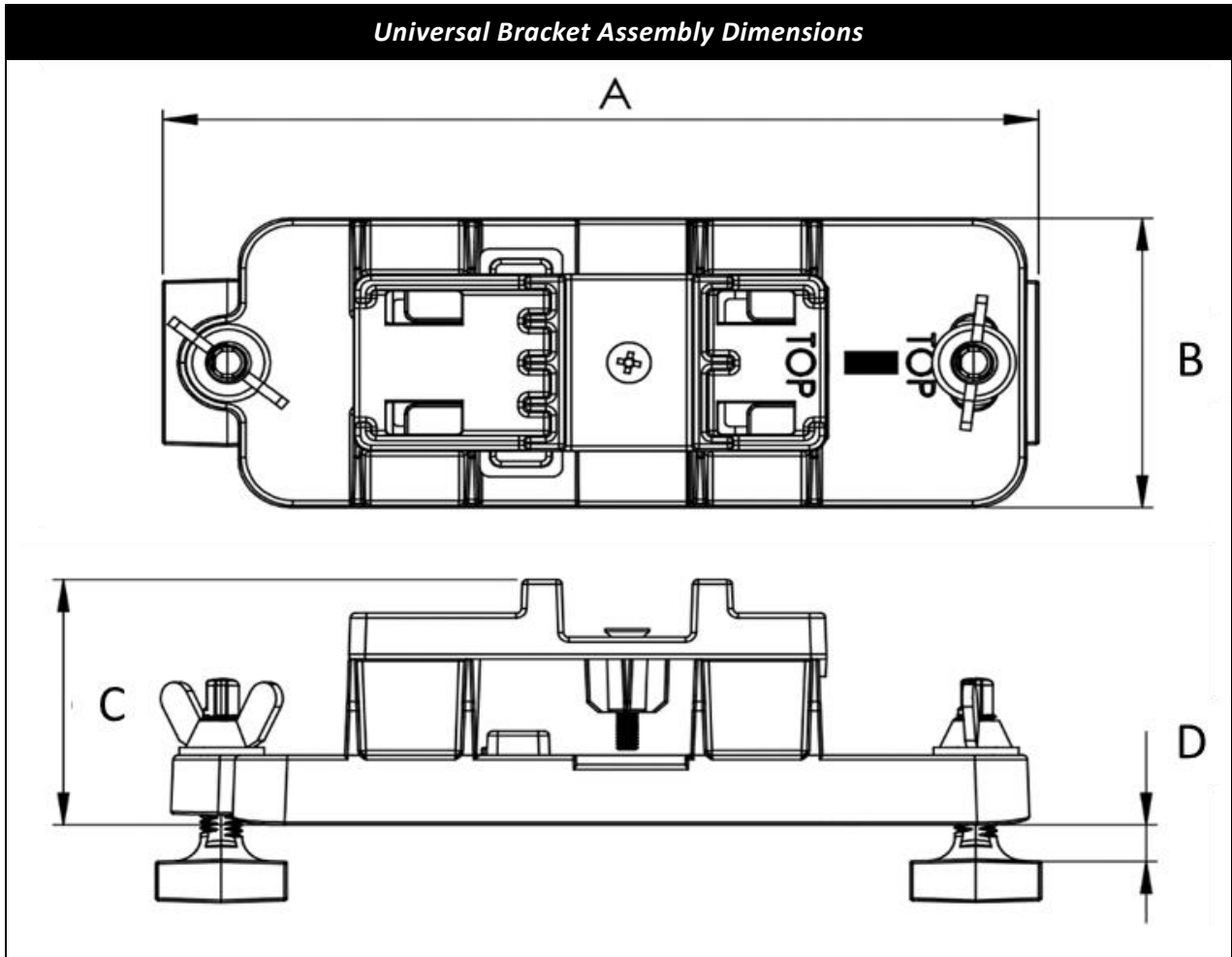


Part Number(s)	Description
OPT-T0299 or BT Item Code: 113395	Universal Bracket Kit

See Bill of Materials for further details

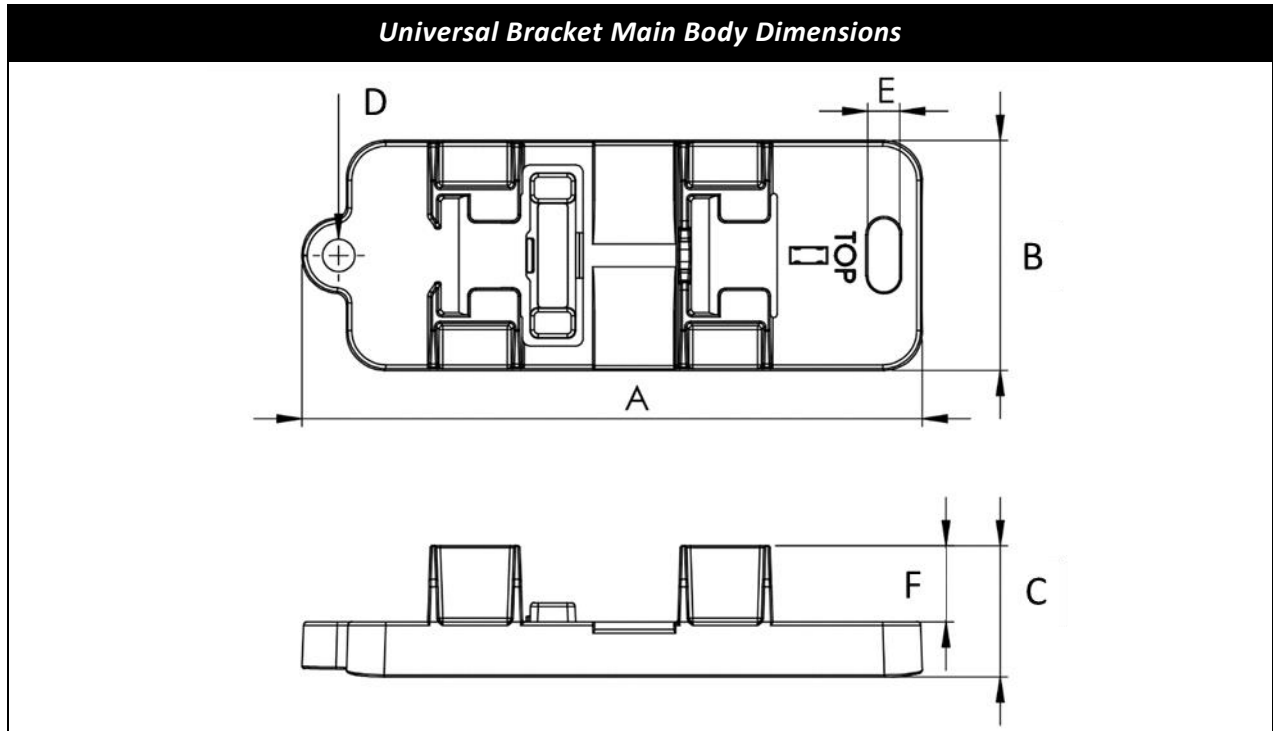
Dimensions

This diagram provides overall footprint dimensions for the Universal Bracket when assembled.



Letter	Description	Dimension
A	Assembled Footprint Length	164mm
B	Assembled Footprint Width	60.5m
C	Assembled Footprint Depth	51mm
D	Maximum Clearance Supported	8mm

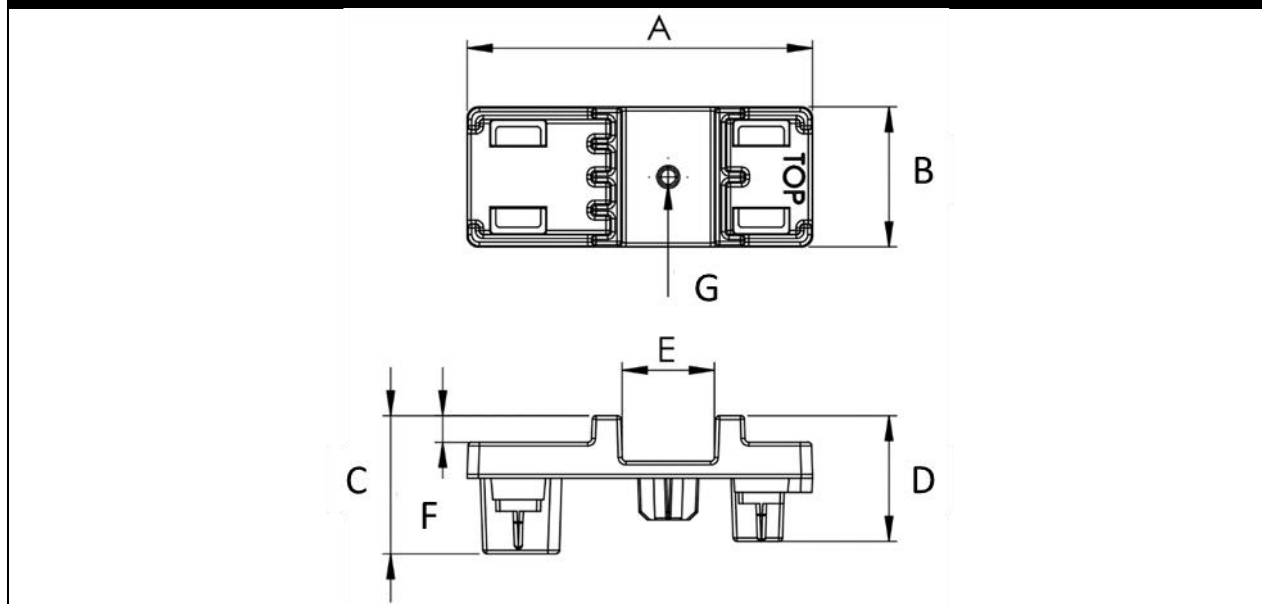
This document is intended for guidance only. Whilst the information it contains is correct at the time of publication, OPT Services UK Limited reserves the right to make changes to this document without notice. This document is protected by copyright © OPT Services [2023]. The products depicted herewith are protected by intellectual property rights. Any unauthorised copying of this document or of our products is prohibited and OPT Services UK Limited will take action to prevent any infringement of its rights to claim damages for the loss that it suffers.



Letter	Description	Dimension
A	Footprint Length	164mm
B	Footprint Width	60.5m
C	Footprint Depth	34.5mm
D	Fixing hole diameter	Ø8.5mm
E	Fixing hole slot width	8.5mm
F	Node Clamp Latch depth	20mm

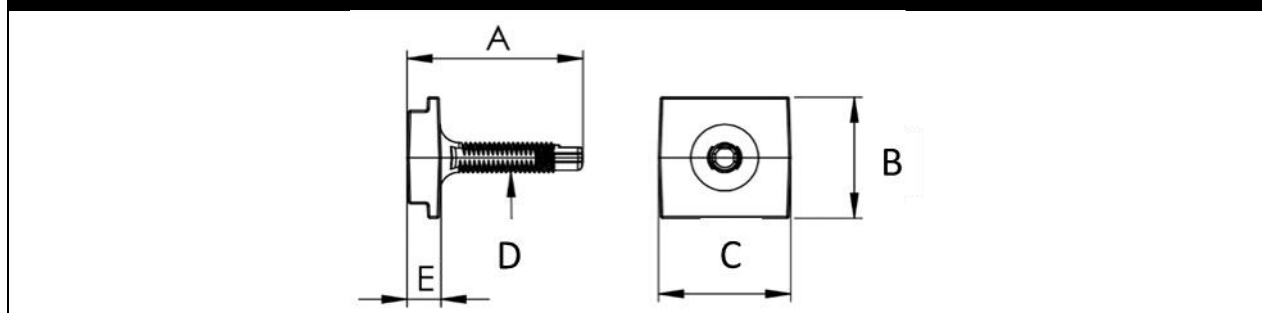
This document is intended for guidance only. Whilst the information it contains is correct at the time of publication, OPT Services UK Limited reserves the right to make changes to this document without notice. This document is protected by copyright © OPT Services [2023]. The products depicted herewith are protected by intellectual property rights. Any unauthorised copying of this document or of our products is prohibited and OPT Services UK Limited will take action to prevent any infringement of its rights to claim damages for the loss that it suffers.

Node Clamp Attachment Dimensions



Letter	Description	Dimension
A	Footprint Length	91mm
B	Footprint Width	37mm
C	Footprint Depth	36.5mm
D	Latch Depth	33mm
E	Node Ring Fixing Clearance	24mm
F	Node Ring Fixing Shoulder Depth	7mm
G	Node Ring Fixing Hole Diameter	Ø4mm

MOBRA Fixing Bracket with M8 Stud Dimensions



Letter	Description	Dimension
A	Footprint Length	46.5mm
B	Footprint Width	32mm
C	Footprint Depth	35mm
D	Stud Size	M8
E	Fixing Bracket Thickness	9mm

This document is intended for guidance only. Whilst the information it contains is correct at the time of publication, OPT Services UK Limited reserves the right to make changes to this document without notice. This document is protected by copyright © OPT Services [2023]. The products depicted herewith are protected by intellectual property rights. Any unauthorised copying of this document or of our products is prohibited and OPT Services UK Limited will take action to prevent any infringement of its rights to claim damages for the loss that it suffers.

Technical Details

Characteristic	
Installation Environment	Outdoor
Temperature Operating range	-25 to +75 °C

Component	Colour	Material
Universal Bracket + Node Clamp Attachment + MOBRA Fixing Bracket with M8 Stud	Black	PA66 + 30%GF = Nylon + Glass Filled
Wing Nut	Silver	Steel
No.10 (4.8mm) x 25.5mm Pozi ST CS	Silver	Steel

Packaging & Labelling

All OPT Services products are dispatched in recyclable materials and clearly labelled with our name, product code and description where applicable. A QR-Code on the label can be used to access the on-line installation instructions, meaning they are readily available at all times.

OPT Services are accredited for Sustainable Packaging and documentation



Packaging H x W x D	Dimension
Height	200mm
Width	255mm
Depth	35mm



This document is intended for guidance only. Whilst the information it contains is correct at the time of publication, OPT Services UK Limited reserves the right to make changes to this document without notice. This document is protected by copyright © OPT Services [2023]. The products depicted herewith are protected by intellectual property rights. Any unauthorised copying of this document or of our products is prohibited and OPT Services UK Limited will take action to prevent any infringement of its rights to claim damages for the loss that it suffers.

Appendix 1 - Abbreviations




Abbreviation	Explanation
CS	Counter Sunk - The countersunk screw also known as a flat-head screw is a type of screw that's designed to rest flush with the object or surface in which it's inserted.
DIN	"Deutsches Institut für Normung", meaning "German institute for standardization".
MOBRA	Mounting Bracket - A commonly used mechanism to manage and protect fibre nodes and joints within a wide range of underground, directly buried or overhead networks.
PA66	Nylon 66 (polyamide 6 or PA6) is a semi crystal material. PA66 can also maintain strong strength and stiffness at higher temperature

Appendix 2 - BoM

Description	Part Number
Universal Bracket Main Body	OPT-T0299 or BT Item Code: 113395
Node Clamp Attachment	
M8 A2 Crinkle Washer	
M8 Wing Nut (DIN 315/AM Std)	
MOBRA Fixing Bracket with M8 Stud	
No.10 (4.8mm) x 25.5mm Pozi ST CS (DIN 7982C Z) A2	

End of Specification

OPT Services are product specialists for fibre networks

R&D Concept to Completion	Services	Logistics
<ul style="list-style-type: none"> • Over 130 years of Experience • Inhouse Prototyping • CNC & Injection Moulding • 3D Print Lab • 70+ Established Products 	<ul style="list-style-type: none"> • Cable Install & Assessment Site • Training Studio Facilities • Graphic Design • Assembly & Rework • Cable Winding 	<ul style="list-style-type: none"> • Storage & Delivery • 2800m² of floor space • 1700+ Pallet Spaces • PROSKU Management System • Fleet of Logistics Options

Call us with any queries: 01473 612188