

OPT Fibre Locking Device Specification



Product Description

The OPT FTTP 12/36f External Fibre Locking Device (FLD) is used when 12 fibre or 36 fibre Ultra Lightweight Overhead Cable(s) are routed down a pole for termination in to a Splicing Enclosure. The device consists of a pair of injection moulded bosses designed to lock the fibre cable onto the pole much like a rope cleat on a boat. The way the cable is wrapped around each boss secures it into place removing any cable creepage. These bosses are in turn moulded as part of the 'boss carrier' that allows fixing to the pole and routing of cables underneath or alongside.

The unit is moulded in the UK.



This document is intended for guidance only. Whilst the information it contains is correct at the time of publication, OPT Services UK Limited reserves the right to make changes to this document without notice. This document is protected by copyright © OPT Services [2023]. The products depicted herewith are protected by intellectual property rights. Any unauthorised copying of this document or of our products is prohibited and OPT Services UK Limited will take action to prevent any infringement of its rights to claim damages for the loss that it suffers.

Design Features

- Single piece moulded in tough environmentally stable Nylon
- Quick and easy attachment to any pole
- Multiple cable tie fixings
- A number of these can be fitted in a row to a single pole. Cables not locked to a specific FLD can be routed underneath or alongside using the boss carrier.
- Designed to be positioned under BT Capping No.8.
- Manufactured in Nylon PA-6

Application Notes

The FLD is mounted centrally on a pole above the fibre DP, or when used with UG joints it is positioned directly above the duct.

The FLD is directional in use and designed to be installed with the Outgoing Cable Anchor Point facing downwards.

Each FLD supports and locks a single cable. Multiple FLDs can be installed to support multiple cables.

Detailed installation instructions are available from OPT Services or by scanning our QR code.

A recent innovation by OPT is the introduction of laser etched QR codes and Barcodes onto the outer surface of the FLD. The OPT and BT part numbers are also included.



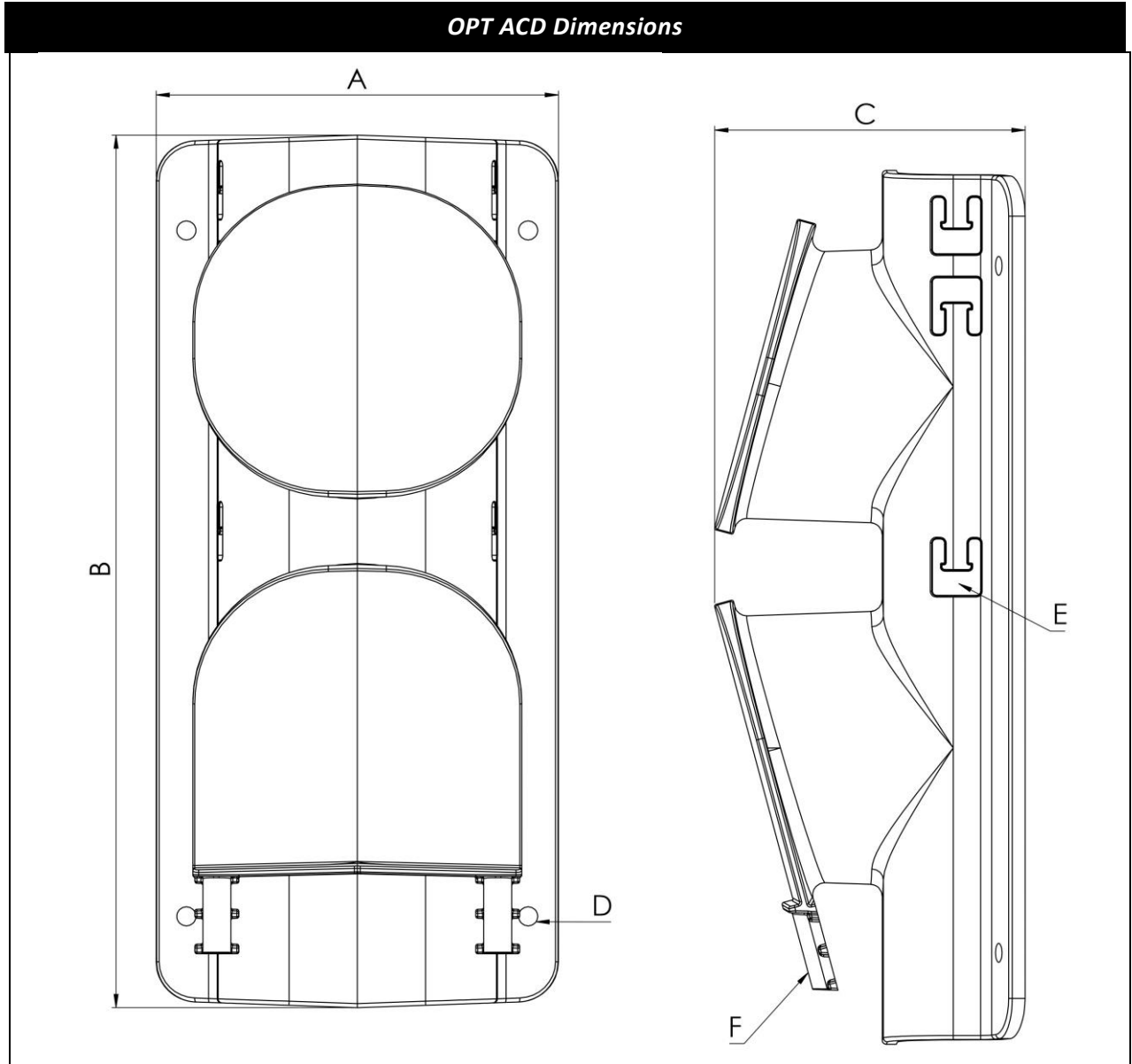
Components & Part Numbers

ACD Item codes	
BT Item code - 066611	OPT Code - OPT-T0312

This document is intended for guidance only. Whilst the information it contains is correct at the time of publication, OPT Services UK Limited reserves the right to make changes to this document without notice. This document is protected by copyright © OPT Services [2023]. The products depicted herewith are protected by intellectual property rights. Any unauthorised copying of this document or of our products is prohibited and OPT Services UK Limited will take action to prevent any infringement of its rights to claim damages for the loss that it suffers.



Dimensions



Letter	Description	Dimension
A	Footprint Width	100mm
B	Footprint Length	218mm
C	Footprint Depth	77mm
D	Mounting holes (x4)	Ø4.2mm
E	Lateral cable tie slots	N/A
F	Cable boss exit tie points*	N/A

*Seen close up in the previous images which highlights the laser etched QR code.

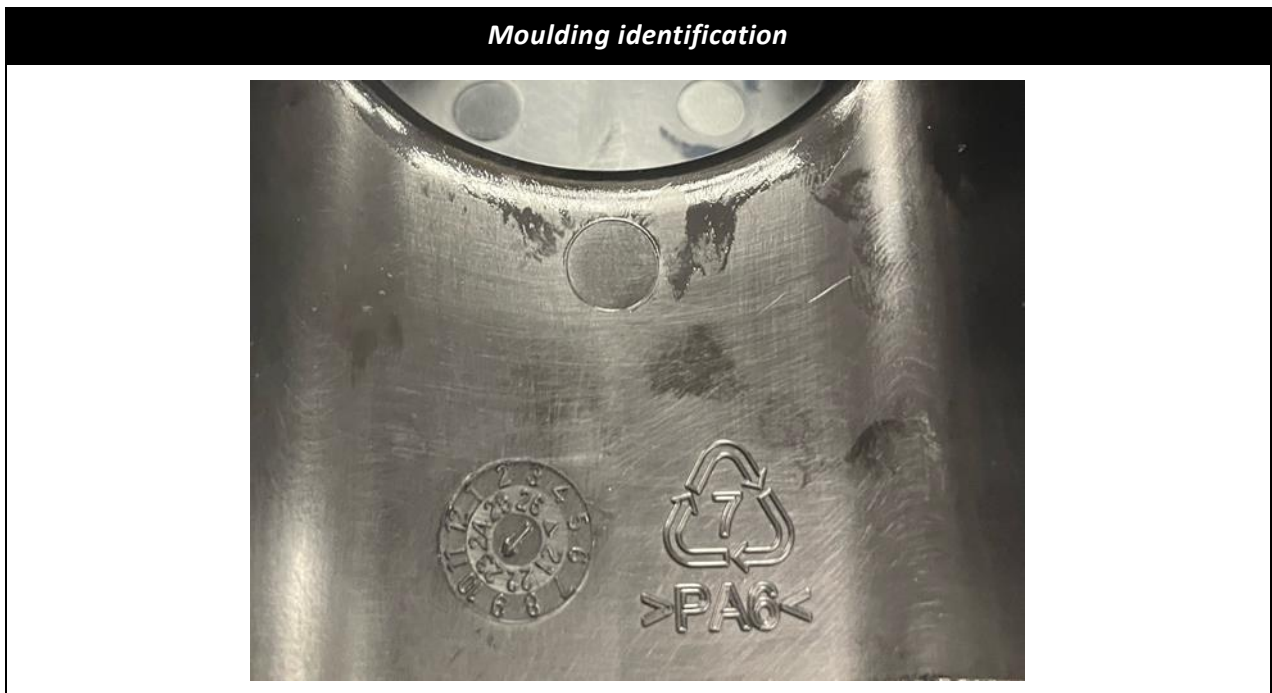
Technical Details

Characteristic	
Installation Environment	Outdoor
Temperature Operating range	-25 to +75 °C
Maximum Cable diameter	36 fibre
Protection Rating	N/A

Component	Colour	Material
OPT ACD	Black	Nylon PA-6

The OPT FLD is designed to be used outside, as such it is finished using the moulding tool surface. No additional surface treatment has been applied.

Arrows moulded onto the back device indicate the type of plastic used for manufacturing and its recyclability. This can be seen in the image below.



Packaging & Labelling

All OPT Services products are dispatched in recyclable materials and clearly labelled with our name, product code and description where applicable. A QR-Code on the label can be used to access the on-line installation instructions, meaning they are readily available at all times.

A recent innovation by OPT is the introduction of laser etched QR codes and Barcodes onto the outer surface of the FLD. This negates the requirement for individual item packaging, thus reducing waste.

OPT Services are accredited for Sustainable Packaging and documentation






Appendix 1 - Abbreviations

Abbreviation	Explanation
DP	Distribution Point
FLD	Fibre Locking Device
FTTP	Fibre to the Premises
QR	Quick Response code - a type of two-dimensional matrix barcode
UG	Underground

End of Specification

OPT Services are product specialists for fibre networks

R&D Concept to Completion	Services	Logistics
<ul style="list-style-type: none"> • Over 130 years of Experience • Inhouse Prototyping • CNC & Injection Moulding • 3D Print Lab • 70+ Established Products 	<ul style="list-style-type: none"> • Cable Install & Assessment Site • Training Studio Facilities • Graphic Design • Assembly & Rework • Cable Winding 	<ul style="list-style-type: none"> • Storage & Delivery • 2800m² of floor space • 1700+ Pallet Spaces • PROSKU Management System • Fleet of Logistics Options

Call us with any queries: 01473 612188