

Customer Connection Interface (CCI) Specification



Product Description

The Customer Connection Interface or CCI available from OPT Services, is a wall mounted fibre management enclosure suitable for any network infrastructure that uses optical fibre to deliver customer connectivity. It has been designed to provide an aesthetic minimised footprint for both universal Brownfield & Greenfield installation.

The module has a one piece cover that provides environmental protection and access to the internal components.

The unit is moulded and assembled in the UK.



CCI Design Features

- CCI Backplate provides a 'No Break' Upgrade – no copper service interruption and keeps the Copper and fibre networks segregated.
- Moulded and assembled in the UK using UV stable grey ASA as an aesthetic match to Capping 101
- Designed to mount on a wall replacing the existing Capping 101 and interface with the standard Capping 25.
- All fixings are hidden within the enclosure. When in place, the CCI covers the 2 x existing Capping 101 holes
- A flexible 'wiper' seal between Backplate and wall (customer's brickwork/cladding)
- Four output cable options (2 outside + 1 inside Capping 25 + 'Through the Backplate/wall')
- Front Cover positively located (2 lugs at the bottom + 2 captive screws at the top)
- Supports both underground and overhead cable feeds
- The CCI Front Cover is positively located using a pair of lugs at the bottom and a pair of captive M3 Panhead screws at the top
- 4 x 5A splice protectors in Splice Tray
- Provision for back to back connector/retention slot for future reflector deployment
- CCI is compatible with Blown Fibre:
 - U/G installations interfaces to BFT Drop-tube
 - O/H installations accommodates 6 x 3mm Reducer, fibre unit locking and Gas Blocking Connector

Application Notes

The CCI can store up to 6m of fibre (OD of 900um) on the unique compact splice tray.

The UV-stable grey wall-mount enclosure can be fitted over any existing copper cabling to limit the overall connectivity footprint.

The tray can accommodate up to 4 x 5A splice protectors and is compatible with G652D fibre. When installed externally, it can be used as a network demarcation point.

The CCI is compatible with Blown Fibre and supports U/G installations interfacing with BFT Drop tube and O/H installations accommodating 6 x 3mm Reducer, fibre unit locking and Gas Blocking Connector.

The compact design supports up to 4 fusion splices (5A splice protectors) with a flip-up splice tray and can be upgraded to support connectivity. The CCI can be widely deployed as its flexibility allows for connection to a variety of drop cable designs.

The CCI can also (optionally) be installed with a single SC or LC duplex adaptor for connectorised connections if required.

Detailed installation instructions for all options are available from OPT Services or from a QR code on the packaging.

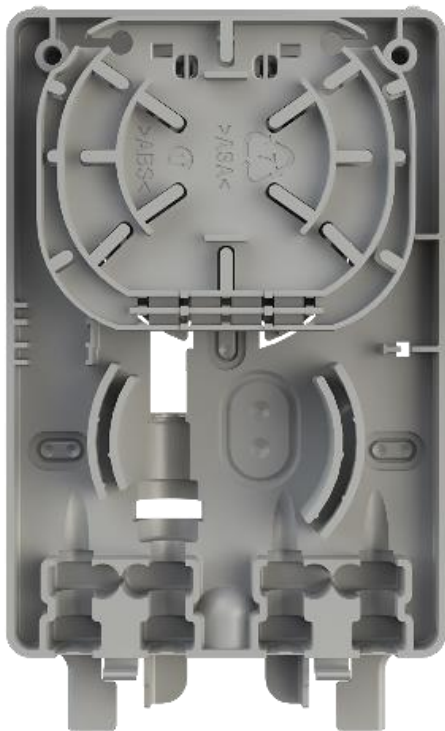
Your company logo can be applied to the front cover to suit requirements. Note there would be an additional charge associated with this option.

Components & Part Numbers

See Bill of Materials for further details

Customer Connection Interface (CCI) Part Number & Main Components

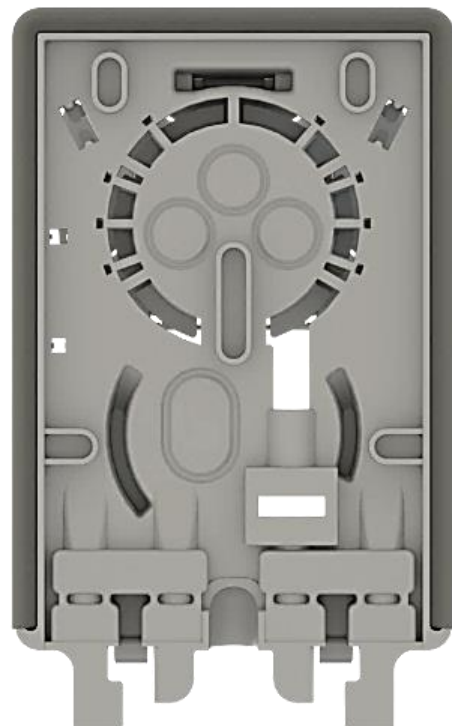
OPT-T0264 *



Backplate & Splice Tray



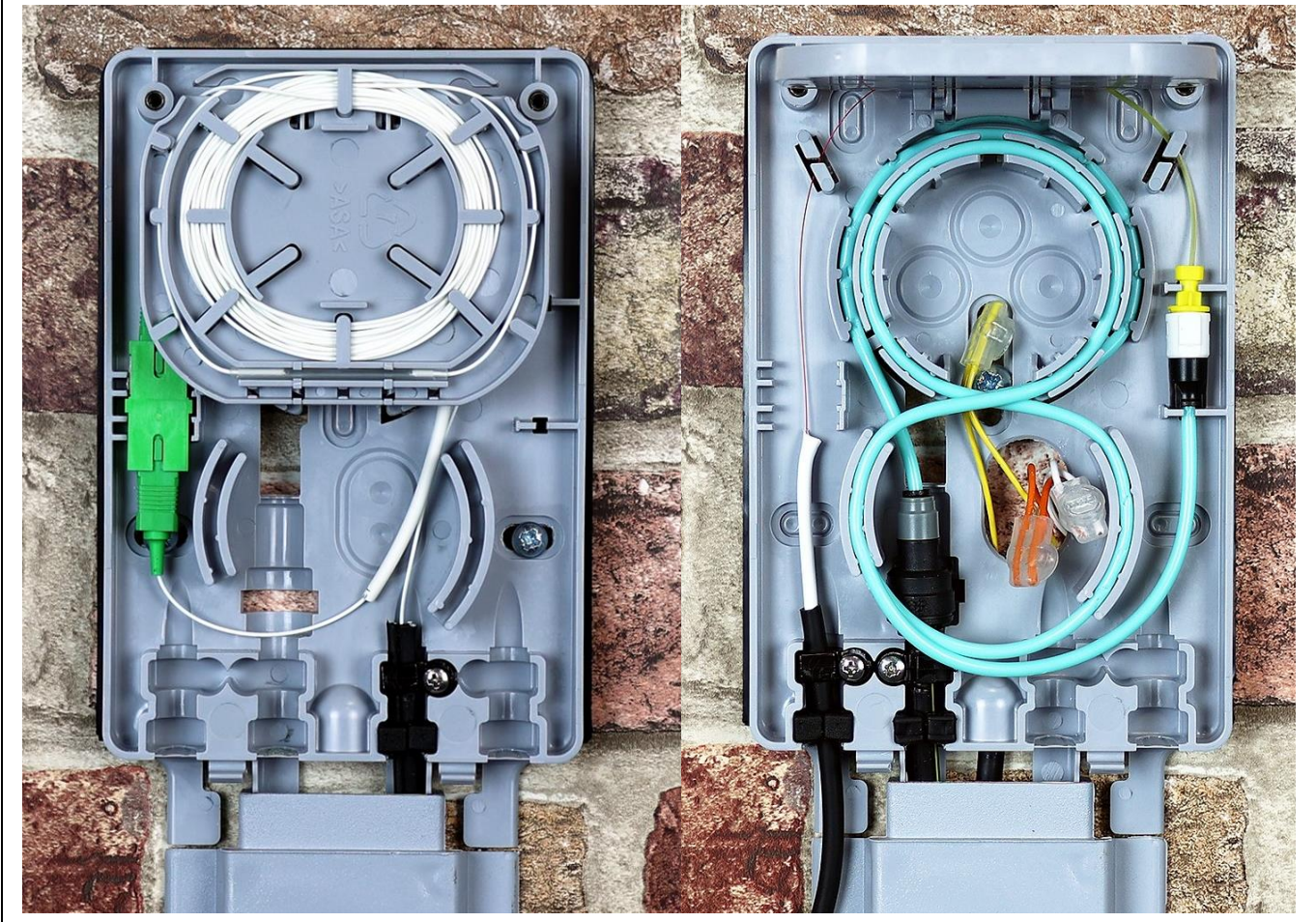
'P' Clip & Split Seal (2 off each)



Backplate & Wall Seal

* - Customer specific branding (label / logo) can be applied to the CCI lid (at additional cost).

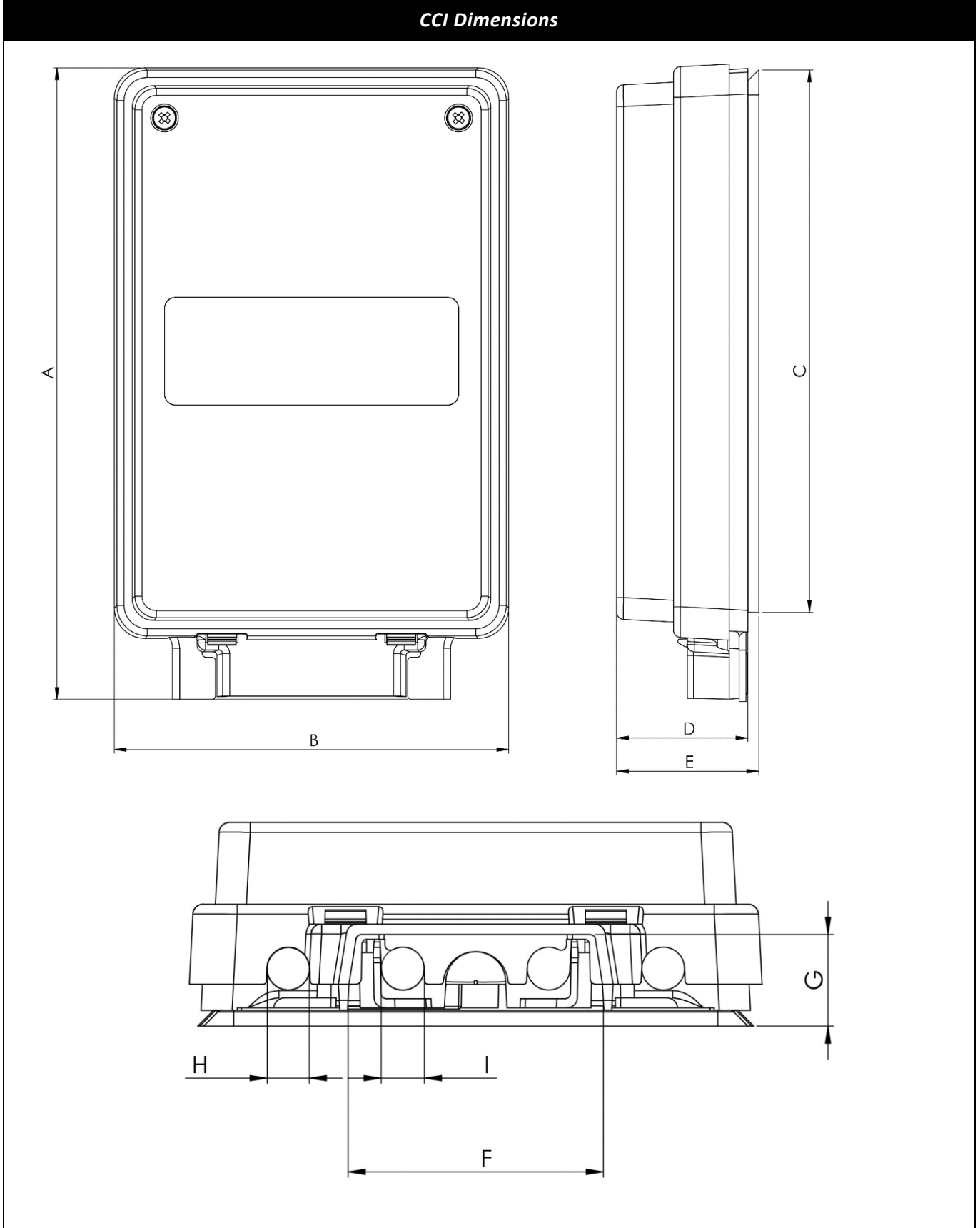
CCI Installation Options



This document is intended for guidance only. Whilst the information it contains is correct at the time of publication, OPT Services UK Limited reserves the right to make changes to this document without notice. This document is protected by copyright © OPT Services [2023]. The products depicted herewith are protected by intellectual property rights. Any unauthorised copying of this document or of our products is prohibited and OPT Services UK Limited will take action to prevent any infringement of its rights to claim damages for the loss that it suffers.

Dimensions

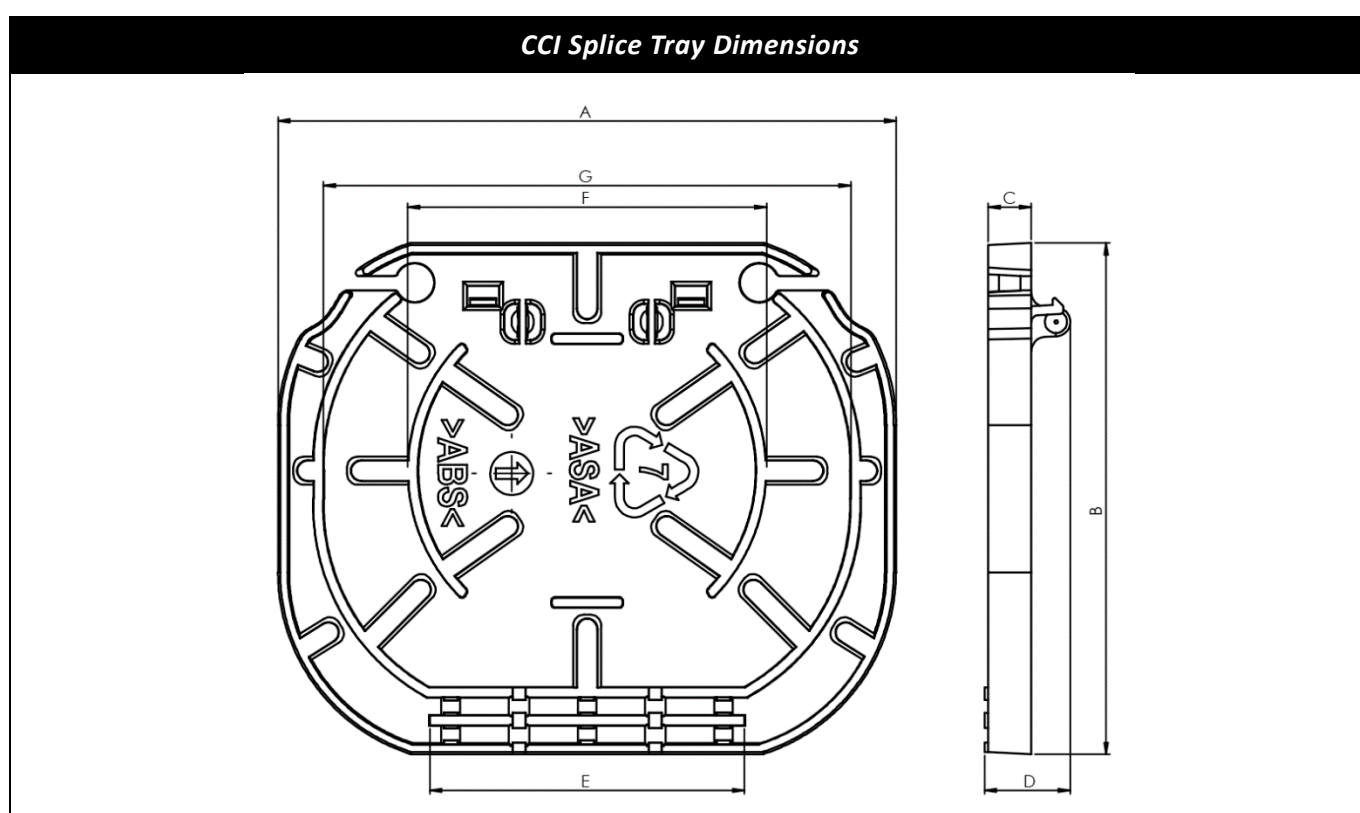
CCI Dimensions



This document is intended for guidance only. Whilst the information it contains is correct at the time of publication, OPT Services UK Limited reserves the right to make changes to this document without notice. This document is protected by copyright © OPT Services [2023]. The products depicted herewith are protected by intellectual property rights. Any unauthorised copying of this document or of our products is prohibited and OPT Services UK Limited will take action to prevent any infringement of its rights to claim damages for the loss that it suffers.

Letter	Description	Dimension
A	Footprint Length	176mm
B	Footprint Width	110mm
C	Wiper Seal Length	150mm
D	Footprint Depth (no Wiper Seal)	36mm
E	Footprint Depth (with Wiper Seal)	39mm
F	Capping 25 opening Width	49mm
G	Capping 25 opening Depth	16.5mm
H	Max. Cable entry	Ø8mm*
	Weight	47g

*Diameter listed above is the moulded diameter not the maximum cable diameter supported



Letter	Description	Dimension
A	Footprint Length	86mm
B	Footprint Width	71mm
C	Tray Depth	6mm
D	Tray Depth with Hinge	12mm
E	Splice protector grip length	44mm
F	Inner Storage	Ø50mm
G	Outer Storage	73.5mm

This document is intended for guidance only. Whilst the information it contains is correct at the time of publication, OPT Services UK Limited reserves the right to make changes to this document without notice. This document is protected by copyright © OPT Services [2023]. The products depicted herewith are protected by intellectual property rights. Any unauthorised copying of this document or of our products is prohibited and OPT Services UK Limited will take action to prevent any infringement of its rights to claim damages for the loss that it suffers.

Technical Details

Characteristic	
Installation Environment	Outdoor (manufactured to suit)
Temperature Operating range	-25 to +75 °C
Maximum Cable diameter (in or out)	Ø 6.2mm anchored or Ø8mm unanchored*
Protection Rating	IEC 60529 - IP65
Impact test	IK Impact testing per IEC 62262-2-275 and IEC 60068-2-75. IK8 test passed

* Anchoring the cable is the preferred method

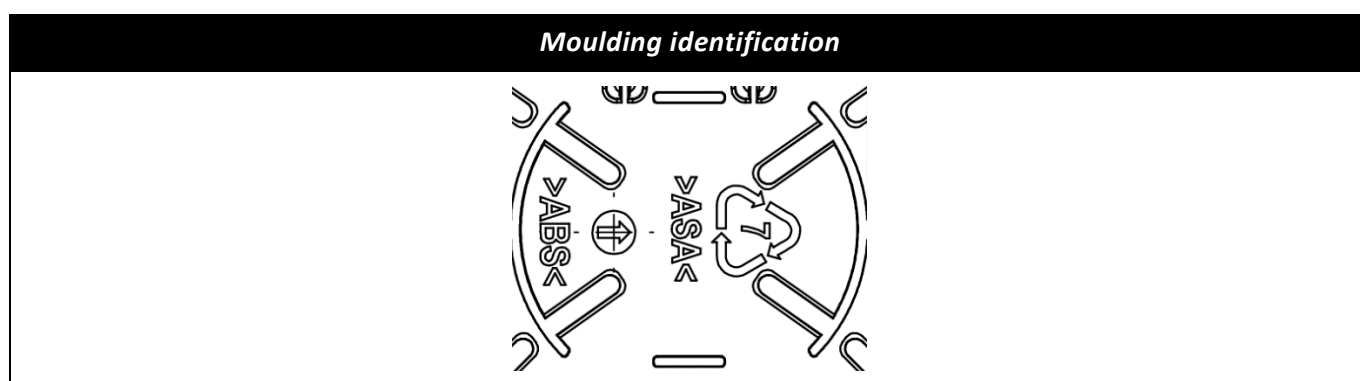
Component	Colour	Material
CCI Backbox & Lid	Window Grey (RAL7040)	ASA
CCI Splice Tray	Window Grey (RAL7040)	ASA
CCI Backbox Ferrel	Gold	Brass
M3 x 18 POZI Panhead Captive Screw (lid)	Silver	Steel
M3 x 8 Retaining Washer (lid)	White	Nylon
P-Clip	Black	ABS V0 (Self-extinguishing)
P-Clip Ferrel	Gold	Brass
P-Clip Screw	Silver	Steel
Split Seal	Black	TPE +4%Polypropylene (SR50)
Wiper Seal	Black	TPE +4%Polypropylene (SR50)
Lid Seal	Black	TPE +4%Polypropylene (SR50)

All materials shall be ROHS compliant.

Interior surfaces shall have the SP1 B3 finish all over.

All External surfaces of ASA or ABS moulded components have the commercial polish, light spark [30 VDI](#) finish applied. This is to reduce production marks and increase visual appeal and user grip.

Arrows moulded into the enclosure and splice tray indicate the type of plastic used for manufacturing, as shown below for the splice tray.





Packaging & Labelling

All OPT Services products are dispatched in recyclable materials and clearly labelled with our name, product code and description where applicable. The CCI is dispatched in a small plastic bag containing the instructions.

OPT Services are accredited for Sustainable Packaging and documentation



Packaging H x W x D	Dimension
Height	190mm
Width	240mm
Depth	50mm

OPT Services are product specialists for fibre networks



R&D Concept to Completion

- Over 130 years of Experience
- Inhouse Prototyping
- CNC & Injection Moulding
- 3D Print Lab
- 70+ Established Products

Services

- Cable Install & Assessment Site
- Training Studio Facilities
- Graphic Design
- Assembly & Rework
- Cable Winding

Logistics

- Storage & Delivery
- 2800m² of floor space
- 1700+ Pallet Spaces
- PROSKU Management System
- Fleet of Logistics Options

Call us with any queries: 01473 612188

Appendix 1 - Abbreviations

Abbreviation	Explanation
ASA	Acrylonitrile Styrene Acrylate – weather resistant thermoplastic
ABS	Acrylonitrile Butadiene Styrene - heat-resistant thermoplastic
CCI	Customer Connection Interface
FC	Ferrule Core - optical fibre connectors named because they were the first to be built with a ceramic ferrule with a stainless steel screw mechanism
G625D	Specification for 10.1um rigid optical fibre with resistance to bending
IEC 60529	Standard that defines the IP code which classifies and rates environmental protection (intrusion, dust, accidental contact and water)
LC	Lucent Connector – type of optical fibre connector developed by Lucent Technologies
ONT	Optical Network Termination
PVC	Polyvinyl Chloride - synthetic polymer of plastic
PROSKU	Warehouse management system
RAL	RAL is a colour management system used in Europe
SC	Standard Connector – type of optical fibre connector developed by the Japanese telecoms company NTT
ST	Straight Tip - type of optical fibre connector developed by AT&T
VDI	Verein Deutscher Ingenieure – scale of surface finishes

Appendix 2 – BoM

Items listed below cannot be ordered separately.

Everything is supplied as part of the CCI kit – Part number OPT-T0264

Description	Part Number	Volume
LID	OPT-00813	1 OFF
LID SEAL (Supply fitted)	OPT-00814	1 OFF
BACK BOX	OPT-00808	1 OFF
WIPER SEAL	OPT-00809	1 OFF
SPLICE TRAY	OPT-00810	1 OFF
SPLIT SEAL (bagged)	OPT-00812	2 OFF
P-CLIP (bagged)	OPT-00811	2 OFF
P-CLIP SCREW	M3 x 10 POZI PAN	2 OFF
LID SCREW	M3 x 16 POZI PAN	2 OFF
RETAINING WASHER	NYLON M3	2 OFF

End of Specification

This document is intended for guidance only. Whilst the information it contains is correct at the time of publication, OPT Services UK Limited reserves the right to make changes to this document without notice. This document is protected by copyright © OPT Services [2023]. The products depicted herewith are protected by intellectual property rights. Any unauthorised copying of this document or of our products is prohibited and OPT Services UK Limited will take action to prevent any infringement of its rights to claim damages for the loss that it suffers.