

## Lightweight Cable Preparation Tool – T03 Specification



### Product Description

The OPT Services Light Weight Cable Preparation Tool (T03) is a small handheld precision instrument employing a fixed blade and custom profiled Cassette mechanism. The Cassettes clamp over a cable to safely and accurately slit the sheath exposing the individual elements inside.

All our tools are designed and manufactured in the UK to very high standards and tested to provide a precise and long-lasting service. This tool comes with a life time guarantee for its fixed blades.

The unit is precision moulded and hand assembled in the UK.



### Design Features

- In house 3D moulded hardwearing ABS cassette
- Durable glass filled plastic outer casing
- Fixed Stainless steel blade – no user adjustments required – with a Life Time Guarantee\*
- Ergonomic and compact design
- Compatible with the T02 Cable Preparation Tool range of Cassettes

This document is intended for guidance only. Whilst the information it contains is correct at the time of publication, OPT Services UK Limited reserves the right to make changes to this document without notice. This document is protected by copyright © OPT Services [2023]. The products depicted herewith are protected by intellectual property rights. Any unauthorised copying of this document or of our products is prohibited and OPT Services UK Limited will take action to prevent any infringement of its rights to claim damages for the loss that it suffers.

### Application Notes

The use of the OPT custom profiled cassettes and a fixed blade within these tools ensures the depth of cut is always correct, thus eliminating any potential damage of internal cable components.

The 6mm / 0.5mm Fibre cable sheath cutter (OPT-T0296) is designed to be used with OFS 96f MiDia GX and 192f MiDia200 Micro GX. However, it can also be used on all micro 6mm optical fibre with a sheath wall thickness of 0.5mm.

The 8mm / 0.75mm Fibre cable sheath cutter (OPT-T0295) is designed to be used with OFS 288f MiDia Micro GX. It can also be used on all 8mm micro optical fibre with a sheath wall thickness of 0.7mm.

The 3 in 1 MDU FTTx Fibre stripper(OPT-T0298) is designed with the ability to strip 3 x different cable types used in a Multi-Dwelling installation environment. This tool has 3 x sets of blades and 3 x channels so it can strip:

- Inside Living unit OFS InvisiLight 8f-12f-16f cable or
- 3mm 12f OFS M-Pack® Indoor/Outdoor MDU Drop Cable or
- 3.8mm 24f OFS M-Pack® Indoor/Outdoor MDU Drop Cable

\* Lifetime guarantee covers blades only. We will replace and return them free of charge. Please see our lifetime guarantee policy for full T&C.

**Note** – The range of cassettes that is available for the Cable Preparation Tool - T02, will also fit this tool, thus increasing the choice of cable stripping options. The cassettes from the T02 tool range have cutting discs, rather than static blades. This means they are covered by the OPT Services life time guarantee, even when installed in a T03 handle.

If you have an alternative cable we can advise suitability and even perform tests to ensure 100% compatibility. Please contact us for more information.



**3 in 1 MDU FTTx Fibre stripper images**



## Components & Part Number

By default, all our T03 tools are supplied with their profiled cassettes already installed.

The current range consists of:

<b>Complete Tool sets</b>	
<b>Part Number</b>	<b>Description</b>
OPT-T0215	10, 10B & 11 (Ø5.3mm) Drop Cable Sheath Splitter
OPT-T0275	Ø5.0mm Blown Fibre Tube Cutter
OPT-T0295	Ø8mm / 0.75mm Fibre cable sheath cutter (Static Blade)
OPT-T0296	Ø6.0 / 0.5mm Fibre cable sheath cutter (static blade)
OPT-T0297	Ø5.2mm / 0.5mm Fibre cable sheath cutter (Static Blade)
OPT-T0298	3 in 1 MDU FTTx Fibre stripper (Static Blades)

As well as the standard tools above, the replacement Cassettes available for the T02 tool, also fit the T03, thus increasing the range of cable stripping options.

A new T03 tool can be supplied with a pair of T02 Cassettes pre-installed as a bespoke option.

These custom selections are available on request. Please contact OPT Services for more details.

<b>T02 Cassette Options</b>	
<b>Part Number</b>	<b>Description</b>
OPT-T0135	Ø6mm - BFD – Copper Hybrid Cable Web Separating Cassette
OPT-T0136	Ø7mm - 36 fibre Sheath Stripper Cassette
OPT-T0137	Ø7mm – 36 / 48 fibre Sheath Stripper Cassette
OPT-T0138	Ø6mm - 4 & 12 fibre Sheath Stripper Cassette
OPT-T0139	Ø7.2mm - COF 205 Sheath Stripper Cassette
OPT-T0140	Ø6.5mm - COF 205 Sheath Stripper Cassette
OPT-T0184	Ø6.7mm x 3.2mm – COF250 12 fibre Flat Drop cable Stripper Cassette
OPT-T0267	Ø8.1mm x 4.5 mm 8 fibre Flat Drop Sheath Stripper Cassette
OPT-T0294	Ø5mm - 12 fibre Ultra light weight cable stripper Cassette



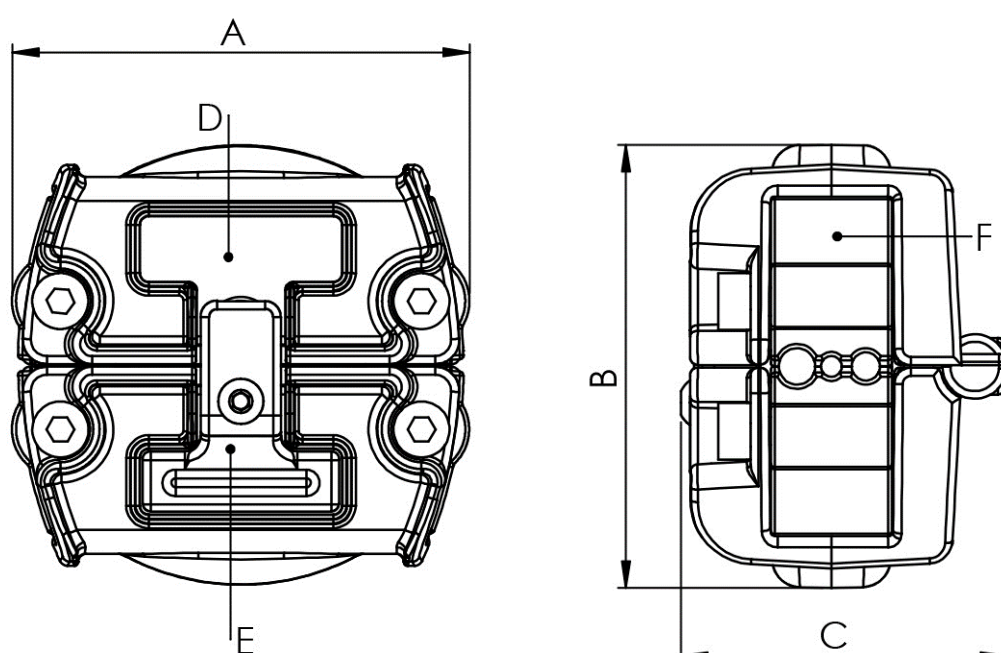
This document is intended for guidance only. Whilst the information it contains is correct at the time of publication, OPT Services UK Limited reserves the right to make changes to this document without notice. This document is protected by copyright © OPT Services [2023]. The products depicted herewith are protected by intellectual property rights. Any unauthorised copying of this document or of our products is prohibited and OPT Services UK Limited will take action to prevent any infringement of its rights to claim damages for the loss that it suffers.

### Technical Details

Characteristic	
T03 Tool Weight (with Cassette)	140g
Environment	Indoor or Outdoor
Temperature Operating range	-25 to +75 °C
Protection Rating	N/A

### Dimensions

**T03 Dimensions**



Letter	Description	Dimension
A	Footprint Length	57mm
B	Footprint Height	55mm
C	Footprint Width	41mm
D	Label Position	N/A
E	Sprung Loaded Catch	N/A
F	Cassette recess	N/A
	Weight	135g



### Bill of Materials

Component	Colour	Material
Cassette Holder / Handle	Red	PA66 + 30%GF
Hinge	Silver	Stainless Steel 303
Label	White	Vinyl / Domed Meniscus Top
M3 x 3 Button Head Screw	Silver	Steel
M3 x 8-Button Head Screw	Silver	Steel
M4 x 12 SKT CAP A2 Screw	Silver	Steel
M3 & M4 inserts	Gold	Brass
T-Clip	Black	PA66 + 30%GF
Compression Spring	Silver	Stainless Steel
Cassette(s)	Black	3D printer filament of an ABS plastic blend
Plastic Cassette Bi-directional Blade(s)	Silver	Hardened Steel

All External surfaces of ASA or ABS moulded components have the commercial polish, light spark [30 VDI](#) finish applied. This is to reduce production marks and increase visual appeal and user grip.

### Packaging & Labelling

All OPT Services products are dispatched in recyclable materials. If purchased individually, the Cable Cover Plate is dispatched in a padded envelope. Where multiples are ordered they are dispatched in a small cardboard box.



OPT Services are accredited for Sustainable Packaging and documentation

Packaging H x W x D	Dimension
Height	97mm
Width	85mm
Depth	50mm
Packaged Weight	257g



### Appendix 1 - Abbreviations

Abbreviation	Explanation
ASA	Acrylonitrile Styrene Acrylate – weather resistant thermoplastic
ABS	Acrylonitrile Butadiene Styrene - heat-resistant thermoplastic
BFD	Blown Fibre Drop – type of tubing used for blown fibre installations
CAP	Cap head – screw type
PA66	Polyamide 66 = Nylon 6/6
PA66 30GF	30 % glass fibre reinforced PA 66
QR	Quick Response or two dimensional barcode
RAL	RAL is a colour management system used in Europe
SKT	Socket - screw type
ULW	Ultra-Light Weight – type of overhead cable
VDI	Verein Deutscher Ingenieure – scale of surface finishes



**OPT Services are product specialists for fibre networks**





**R&D Concept to Completion**

- Over 130 years of Experience
- Inhouse Prototyping
- CNC & Injection Moulding
- 3D Print Lab
- 70+ Established Products

**Services**

- Cable Install & Assessment Site
- Training Studio Facilities
- Graphic Design
- Assembly & Rework
- Cable Winding

**Logistics**

- Storage & Delivery
- 2800m<sup>2</sup> of floor space
- 1700+ Pallet Spaces
- PROSKU Management System
- Fleet of Logistics Options

**Call us with any queries: 01473 612188**

[www.optservices.co.uk](http://www.optservices.co.uk)

**Linked in**

**End of Specification**