

# Cable management tray

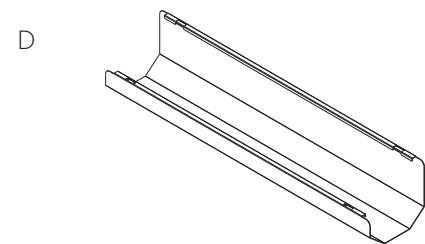
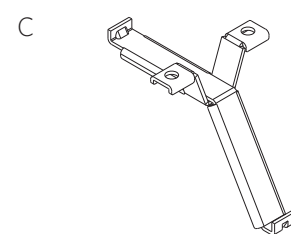
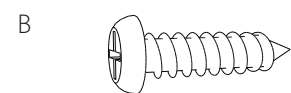
## Installation instructions

For installation assistance, call 888-508-3725 or email support@fully.com

In Europe call +32 9 296 44 83 or email help@fully.com

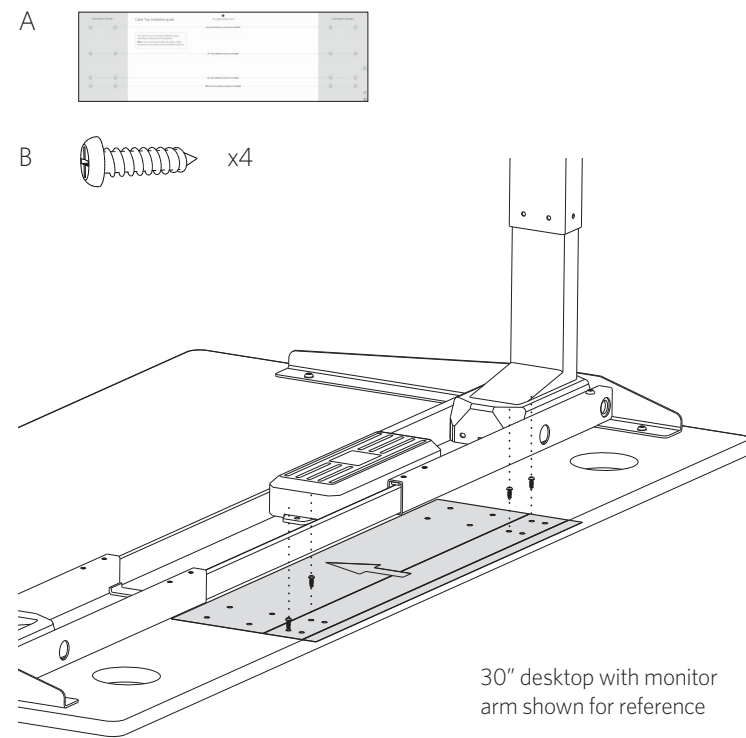
## Parts

- A — Cable Tray Installation Guide (back of this sheet)
- B — Screw x4
- C — Tray Hook x2
- D — Cable Tray

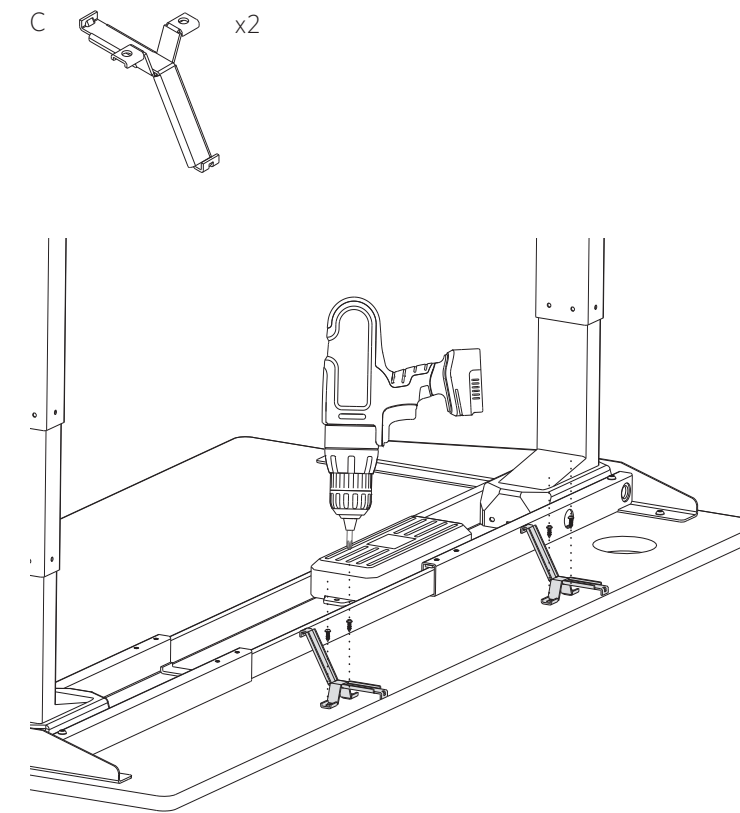


## Steps

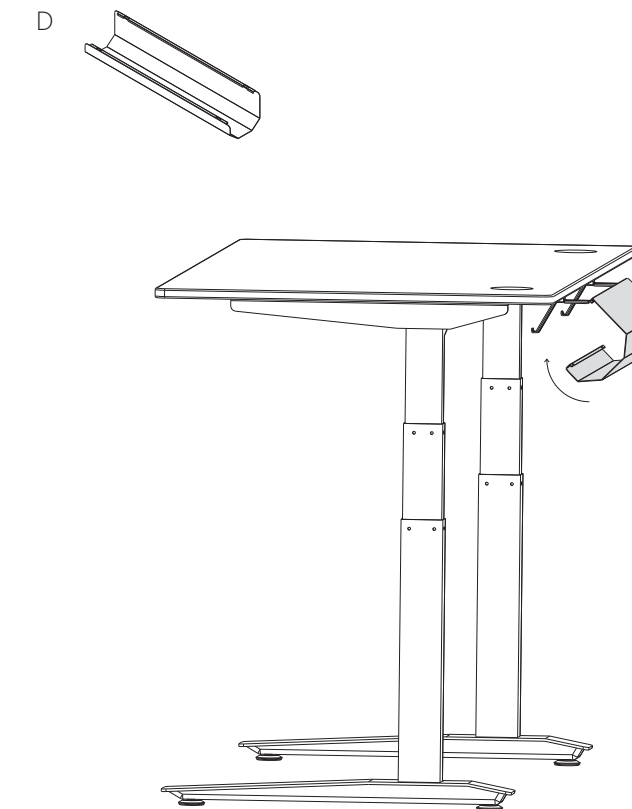
- 1 The Cable Management Tray is easiest to install with the desk upside down. Flip Jarvis desk so that it is lying on its top. Position the **Cable Tray Installation Guide** to the rear of the desktop. Mark the location of the holes on the desktop by using a screw or pushpin and puncturing through the guide.



- 2 Hold the Tray Hooks up to the holes you marked, then drill screws into the desktop to attach the Tray Hooks.



- 3 Flip desk right side up. Attach the Cable Tray to the Tray Hooks. You can use the Tray Hooks as hinges and leave it half open for easy cable management. Simply close it when you are done.



The back of this sheet is your **Cable Tray Installation Guide**



# Cable Tray Installation Guide



This edge towards frame

Screw Holes for Tray Hook 1

Screw Holes for Tray Hook 2

The Cable Tray can be mounted in different locations depending on desktop size and configuration.  
**Note:** It may be necessary to adjust the position of other accessories to more easily access and install the Cable Tray.

Any Jarvis desktop, no monitor arm installed

24" Jarvis desktop, monitor arm installed

30" Jarvis desktop, monitor arm installed

800 mm Jarvis desktop, monitor arm installed

24"

30"

800 mm