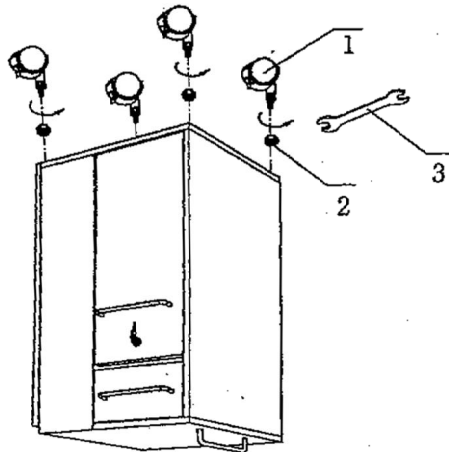


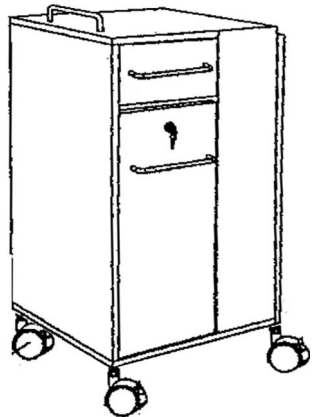
EuroStyle Foldable/Portable Manicure Table

PLEASE READ INSTRUCTIONS CAREFULLY BEFORE ASSEMBLY.

1. Turn the box upside down so that the up arrow on the box points downward.
2. Open the box flaps ONLY. Please leave the table remaining in an upside down position in the box. Install the 4 rollable wheels on each table corner.



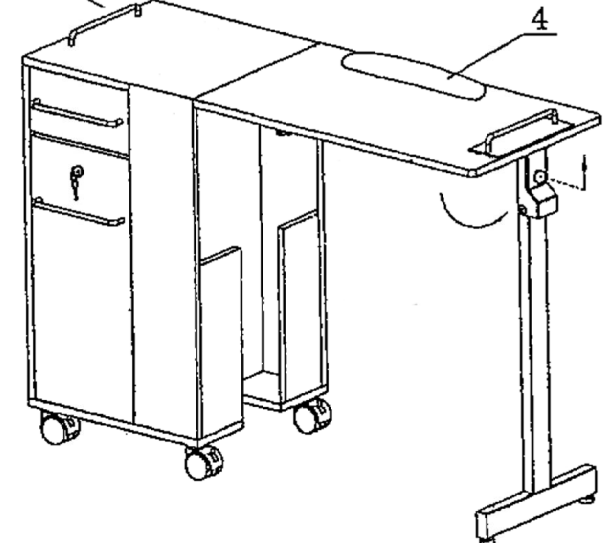
3. Slowly move the table to the upright position. The up arrow should now point upward. Carefully remove the cardboard box.



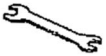



HOLD THIS HANDLE WHILE OPENING MANICURE TABLE.

4. For the first few times, be sure to hold the top left handle down while opening the side of the manicure table.

Hold left handle tightly down



1		2	 M10	3		4	
	Braked Wheel - 4 pcs		Nut - 4 pcs		Wrench - 1 pc		Armrest - 1 pc