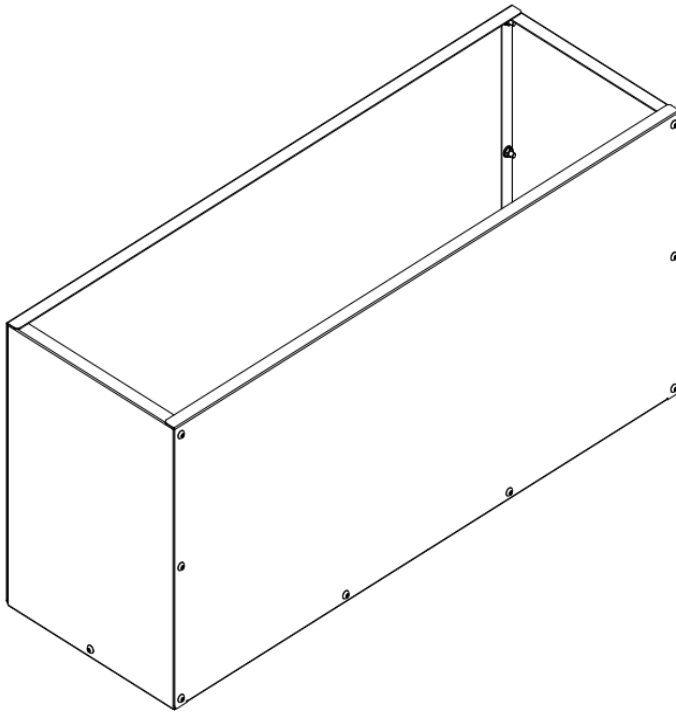


DIY CARTEL Corten Steel Planter

Assembly Instructions (Scan QR code)

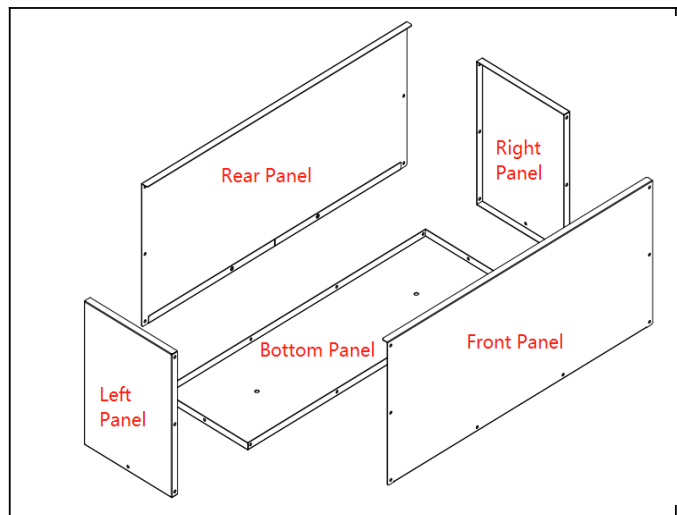


It is recommended to have a helper for the assembly process.

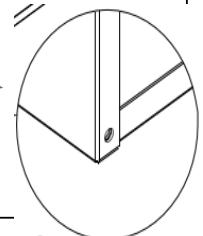
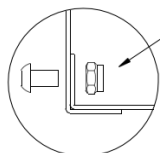
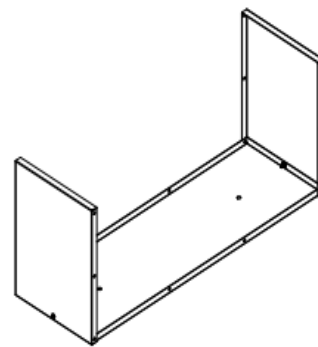
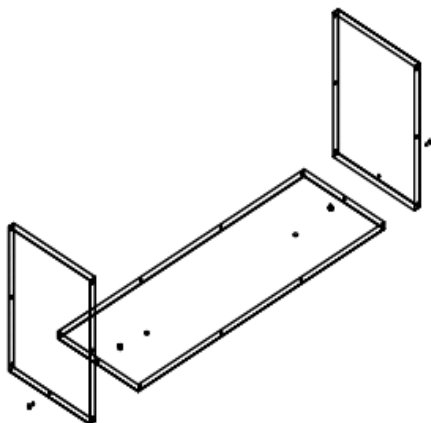
Ensure parts are aligned correctly before fully tightening screws.

Tighten the screws on the outside face while holding the nut on the inside face with a wrench.

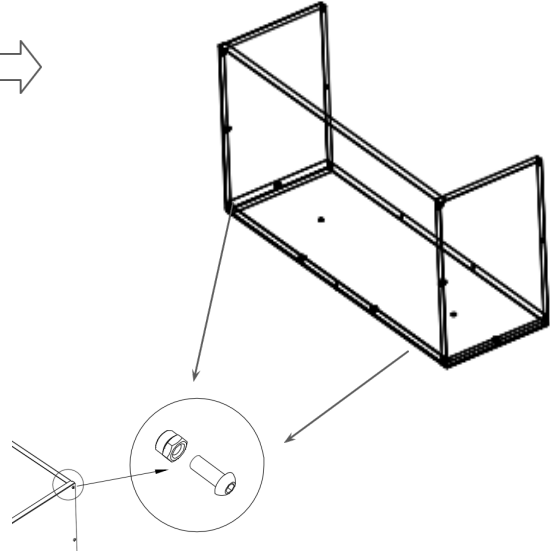
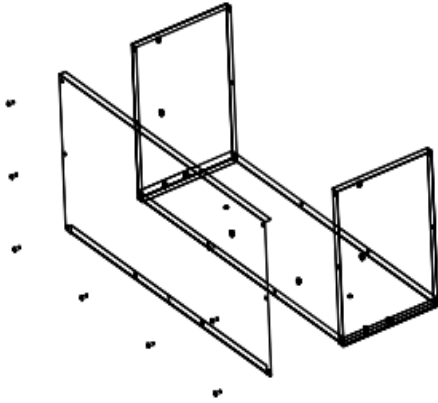
Item	Description	Qty
1	Bottom panel	1
2	Side panel (Front & Rear)	2
3	Side panel (Left & Right)	2
4	Rubber Plugs	2
5	M6 *15 screw	18
6	M6 nut	18



Step 1: Connect the bottom panel to left panel & right panel with M6 screws and M6 nuts.



Step 2-1: Connect the front panels with M6 screws and M6 nuts.



Step 2-2: Connect the rear panel with M6 screws and M6 nuts.

