

ACOUSTICAL ACCENTS – SQUARE PANEL

Assembly and Installation Instructions

1. GENERAL

1.1 Kit Includes

- (2) large Square panels (*Fig 1*)
- (3) medium Square panels (*Fig 1*)
- (3) small Square panels (*Fig 1*)
- 100 ft. of Permanent Tape
- Template

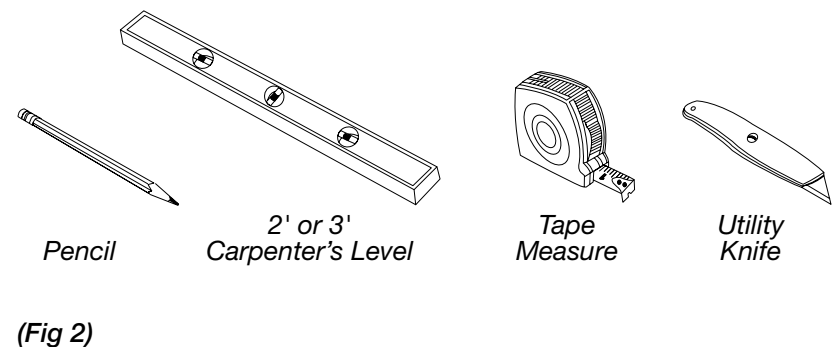
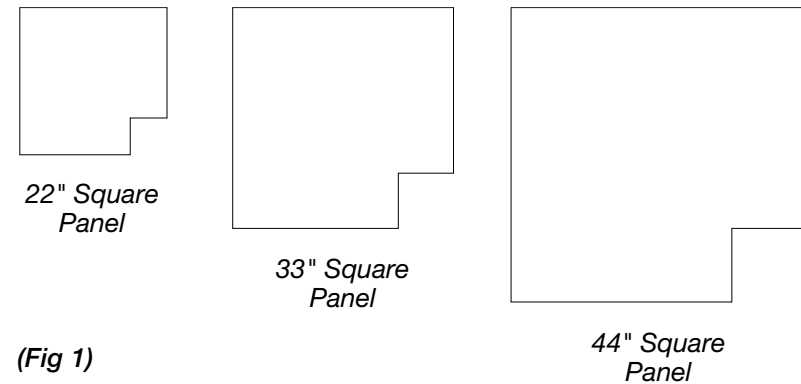
1.2 Safety Tips

- Safety glasses and gloves are recommended to be worn during installation.
- Ensure the work area is clear of obstructions and that the desired panel locations are easily accessible.
- If using a step ladder, be sure to follow all of manufacturer's recommendations.

1.3 Important Information

- Store and install panels in areas with temperature and humidity ranges that meet specific product warranty requirements.
- The permanent tape adhesion strength may differ slightly based on the quality of the wall surface. The surface should be smooth, flat, dry, clean, and free of dust and contamination of oil and grease. Make sure the tape is adhered well to the wall before proceeding with the installation.
- Paint should have good adhesion to the wall without defects, such as peeling, cracking, or bubbling.
- For newly painted walls, wait for the paint to be fully dried prior to installation.

1.4 Tools Needed to Install Your Wall Panels (*Fig 2*)



2. INSTALLATION STEPS

Step 1 – Determine Your Layout

Plan the layout of your panels measuring the available area and panel size before you begin. The small Square panel is 22" x 22" with one corner cut-out; the medium Square panel is 33" x 33" with one corner cut-out; the large Square panel is 44" x 44" with one corner cut-out.

Use the provided template as a spacing guide (*Fig 3*), and see the following pattern for inspiration (*Fig 4*).

If installing the panels without the template, leave a 1/4" gap in between each panel edge. Always start with the lowest row.

Step 2 – Prepare Wall Surface

Thoroughly clean your wall with a clean rag to remove dust and debris. Further cleaning with suitable agent(s) may be necessary in order to create a smooth, flat, clean surface. Allow the area to fully dry.

Step 3 – Attach Tape to Wall

Hang the template with painters tape on the wall in the location needed for the first two panels.

A small Square panel requires:

- (2) 18" strips of tape
- (1) 12" strip of tape

A medium Square panel requires:

- (2) 29" strips of tape
- (1) 20" strip of tape

A large Square panel requires:

- (2) 40" strips of tape
- (1) 29" strip of tape

Cut the needed strips of the permanent tape per the panel size being installed with scissors or a utility knife. Apply tape to the wall in the locations shown to the right (*Fig 5*) based on panel size. Tape should be placed 1" away from the panel edges, and a few inches apart from each other.

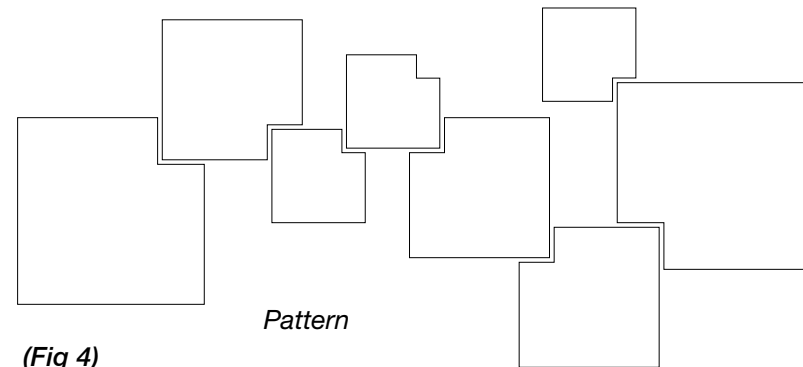
Laminate the tape to the wall surface using a roller, a putty knife, or a piece of rigid block and squeegee/wipe the tape with sufficient pressure to ensure good and uniform adhesive bond strength.

WARNING: Tape is considered permanent and non-removable. The panel will most likely be damaged if it needs to be removed from the tape after installation.

Pattern Option for Square Panels

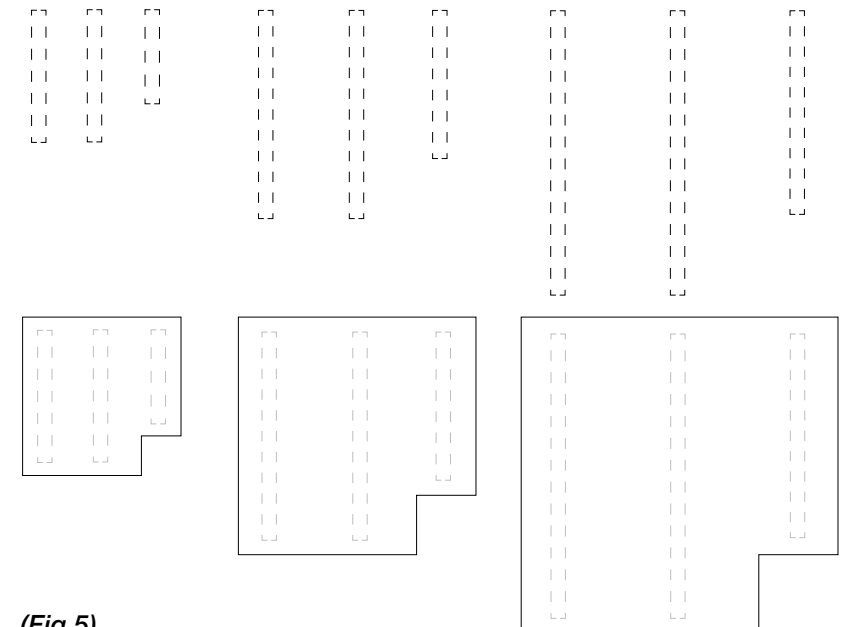


(Fig 3)



(Fig 4)

Tape Locations



Step 4 – Install Wall Panel

NOTE: Wear clean gloves while handling the panels to avoid transferring dirt to the surface.

Install the Square panels by positioning them against the template locations and firmly press where the tape strips are located, making sure not to press too hard that would damage the face of the panel.

Once the two panels are installed, carefully remove the template from the wall and place it in the next location. Repeat steps 3 and 4 until the pattern is complete (*Fig 6*).

If installing the panels without the template, leave a 1/4" gap in between each panel edge. Always start with the lowest row.

Step 5 – Completing the Installation

Evaluate the installed panels to check for alignment and overall visual.

Cleaning the maintenance: dust off with a clean rag or use a damp cloth.

3. LIMITED WARRANTY

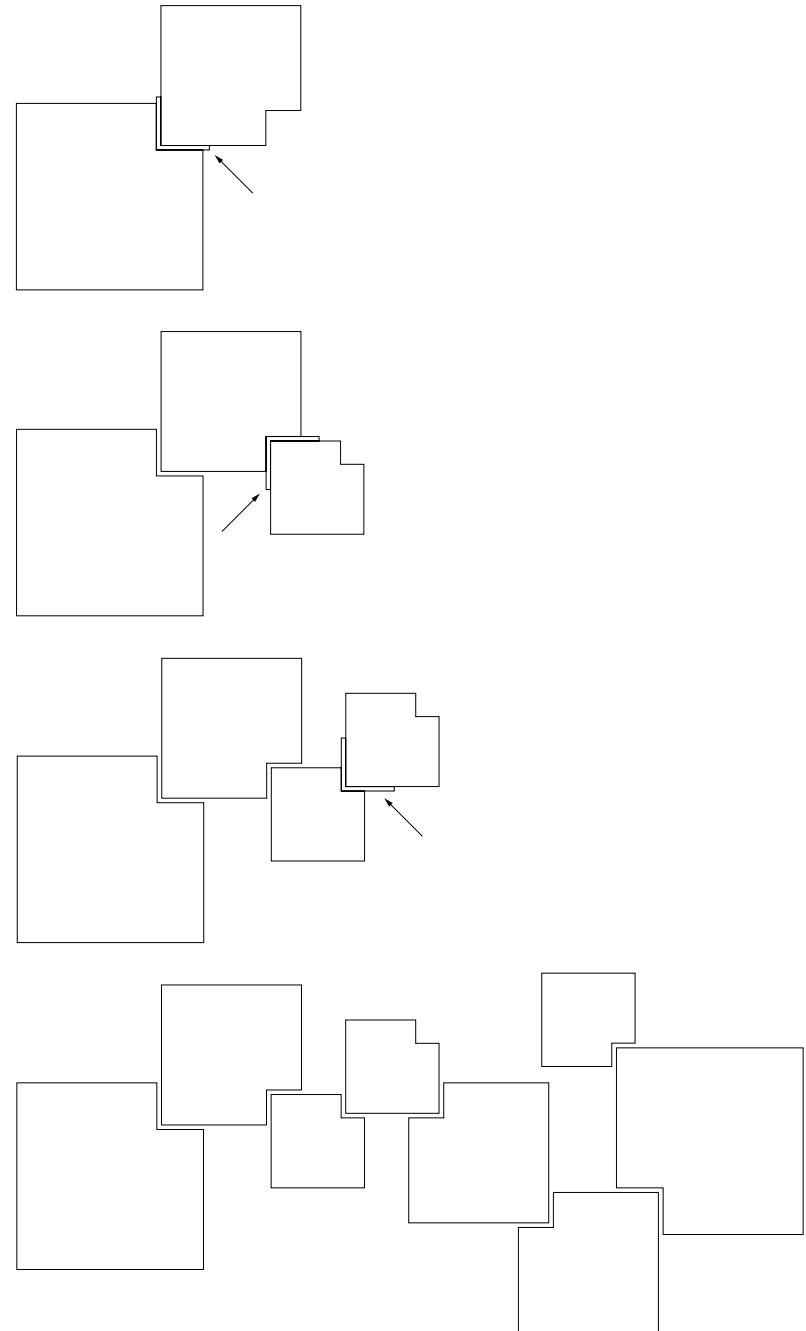
Failure to follow the Armstrong Ceilings recommended installation instructions in effect at the time of installation may void the product and/or system warranty.

4. PRECAUTIONARY MEASURES

During the installation, be certain that the work site is well ventilated and avoid breathing dust. Avoid contact with your skin or eyes. Wear long sleeve, loose fitting clothes, gloves, and eye protection. Cut and trim with knife, razor, or hand saw. Do not cut with power equipment unless the equipment has an attached dust collector. The work site air quality should be assessed and if conditions require, a NIOSH approved respirator should be worn.

This product may contain levels of crystalline silica. Exposures to respirable crystalline silica are not anticipated based on industrial hygiene testing on workers installing acoustical ceiling panels for an 8-hour work day and are not expected during normal use of this product. Specific work-site conditions must be taken into consideration to determine if workplace industrial hygiene testing is necessary. Prolonged and repeated exposure to airborne crystalline silica can result in lung disease and/or lung cancer. Panels do not release respirable dust in their installed state. For additional information, refer to the Safety Data Sheet at armstrongceilings.com.

How to Install the Pattern



(Fig 6)

5. FIRST AID MEASURES

If eye or skin contact occurs, flush with plenty of water for at least 15 minutes and removed contaminated clothing. After installing material, wash with warm water and mild soap. Wash work clothes separately from other clothing. Rinse washer thoroughly.

MORE INFORMATION

For more information, or for an Armstrong Ceilings representative, call 1 877 276-7876.

For complete technical information, detail drawings, CAD design assistance, installation information, and many other technical services, call TechLine customer support at 1 877 276-7876 or FAX 1 800 572-TECH.

All trademarks used herein are the property of AWI Licensing LLC and/or its affiliates.
© 2021 AWI Licensing Company Printed in the United States of America

BPLA-293047-721

