

Style Camp
and
Travel Light

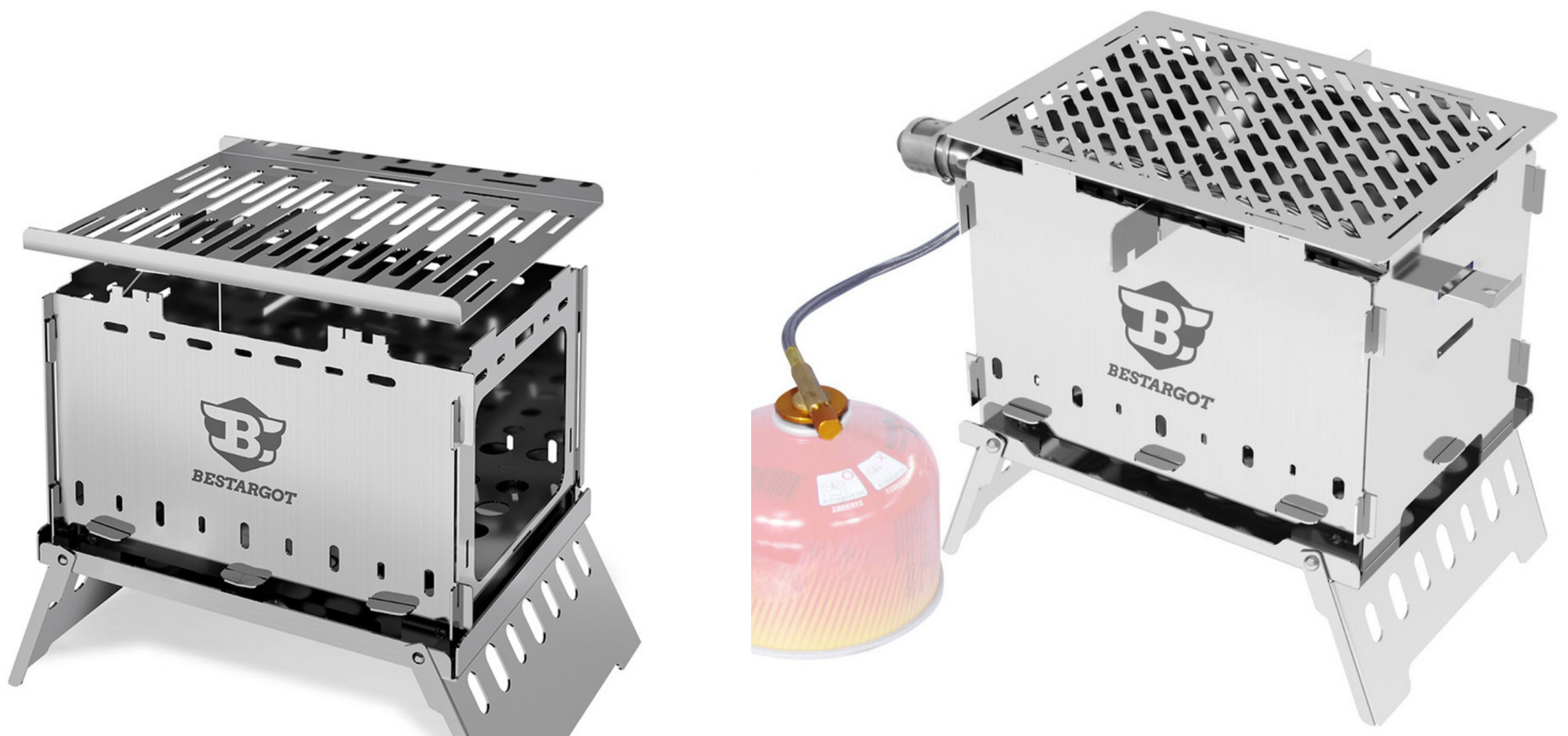


BESTARGOT

MODEL#

BSTCG02 Charcoal Grill

BSTCG02GPSET Gas Pixel-Grill



OUTDOOR PIXEL-GRILL INSTALLATION MANUAL



DANGER



CARBON MONOXIDE HAZARD

- **This stove can produce carbon monoxide, which has no odor.**
- **Using it in an enclosed space can kill you.**
- **Never use this stove in an enclosed space such as a camper, tent, car, or home.**

FOR YOUR SAFETY

IF YOU SMELL GAS

1. **Do not attempt to light stove.**
2. **Extinguish any open flame.**
3. **Disconnect from fuel canister**

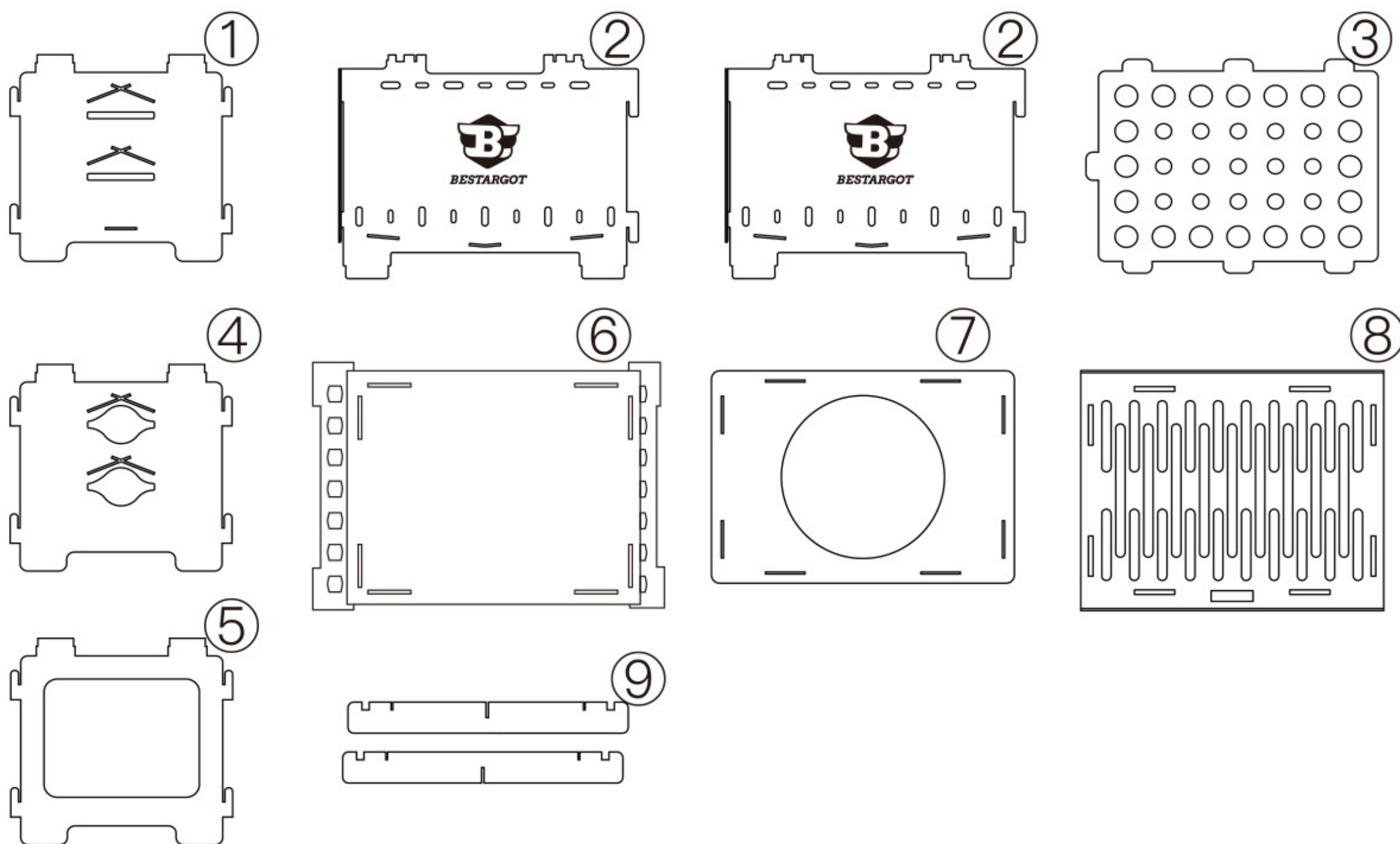
FOR YOUR SAFETY

Do not store or use gasoline or other liquids with flammable vapors in the vicinity of this or any other stove.

Be sure to read this manual before using the product. Keep this manual for future reference, and review its contents regularly to maintain awareness of procedures and warnings. Failure to follow the warnings described in this manual may result in fire, property damage, injury, or death.

- **NEVER** use this product in a house, tent, vehicle, or an unventilated area. This product consumes oxygen and produces carbon monoxide, which can be deadly. Always use the product in a well-ventilated area or outside.
- **NEVER** touch the Body, Receiving Bucket, or any other part of the product directly with the hands or any part of the body when it is in use. To do so may result in injury or burns.
- **NEVER** move, shake, or carry the product when it is in use.
- **NEVER** place your face or any part of your body near the stove when lighting. Always keep a reasonable distance between the charcoal and your body when lighting as close contact may result in burns or injury.
- **NEVER** leave the lighted product unattended.
- **NEVER** allow children to use the product. Always supervise children in the vicinity of this product when it is in use.
- **ALWAYS** supervise pets or animals in the vicinity of the product when it is in use.
- **ALWAYS** place the product on a flat, firm surface when it is in use. The product can be placed on a table top.
- **ALWAYS** make sure that the table top is flat, and stable before the product is used.
- **NEVER** use the product near other heat sources.
- **NEVER** use the product any other way than as described in this annual. The product is intended for outdoor use only.
- **ALWAYS** confirm that charcoal is completely extinguished before disposal.
- **NEVER** use water to extinguish the fire. Failure to comply may result in cracking or distortion of the product.
- **NEVER** use water to extinguish the fire as the steam may cause severe burns.
- **NEVER** overfill with charcoal. Failure to comply may cause cracking or distortion of the product parts.
- **ALWAYS** clean up the grill after use. Dry completely and apply some oil before stowing the unit.
- **NEVER** stow the product when it is hot.
- **ALWAYS** stow the product after it has completely cooled. Failure to comply may cause damage to the carrying case and/or to the product. This may also cause burns.
- **ALWAYS** use two lifters and both hands whenever applicable.
- **ALWAYS** check the product and review this manual before use

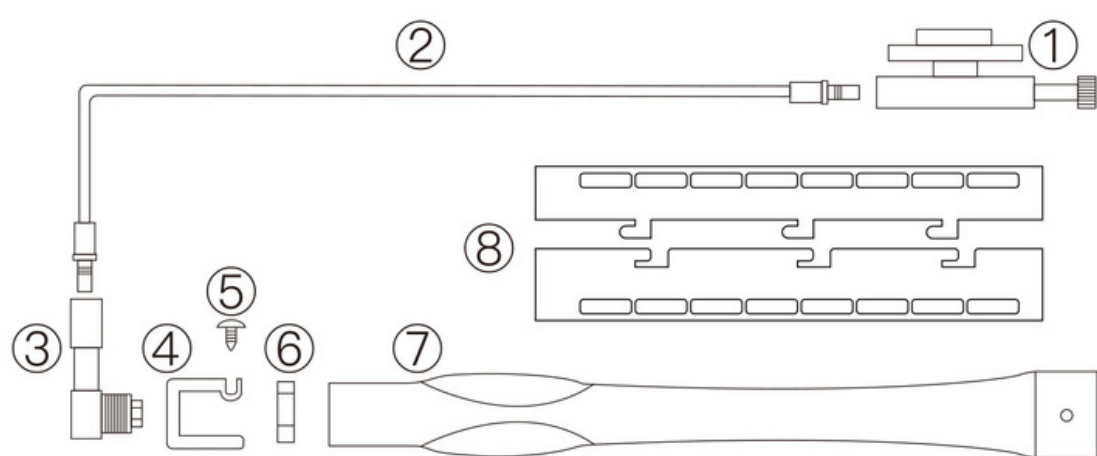
• **Name of the parts**



- 1. back panel
- 2. side panel
- 3. charcoal panel
- 4. front panel for gas stove model
- 5. front panel for charcoal grill model

- 6. base
- 7. top panel
- 8. grill rack
- 9. spliced stove bracket

• **Name of the burner parts**



- 1. control valve
- 2. hose
- 3. nozzle interface
- 4. burner interface
- 5. fixing screw
- 6. fixing nut
- 7. straight tube burner
- 8. baffle plates

• **Product specifications**

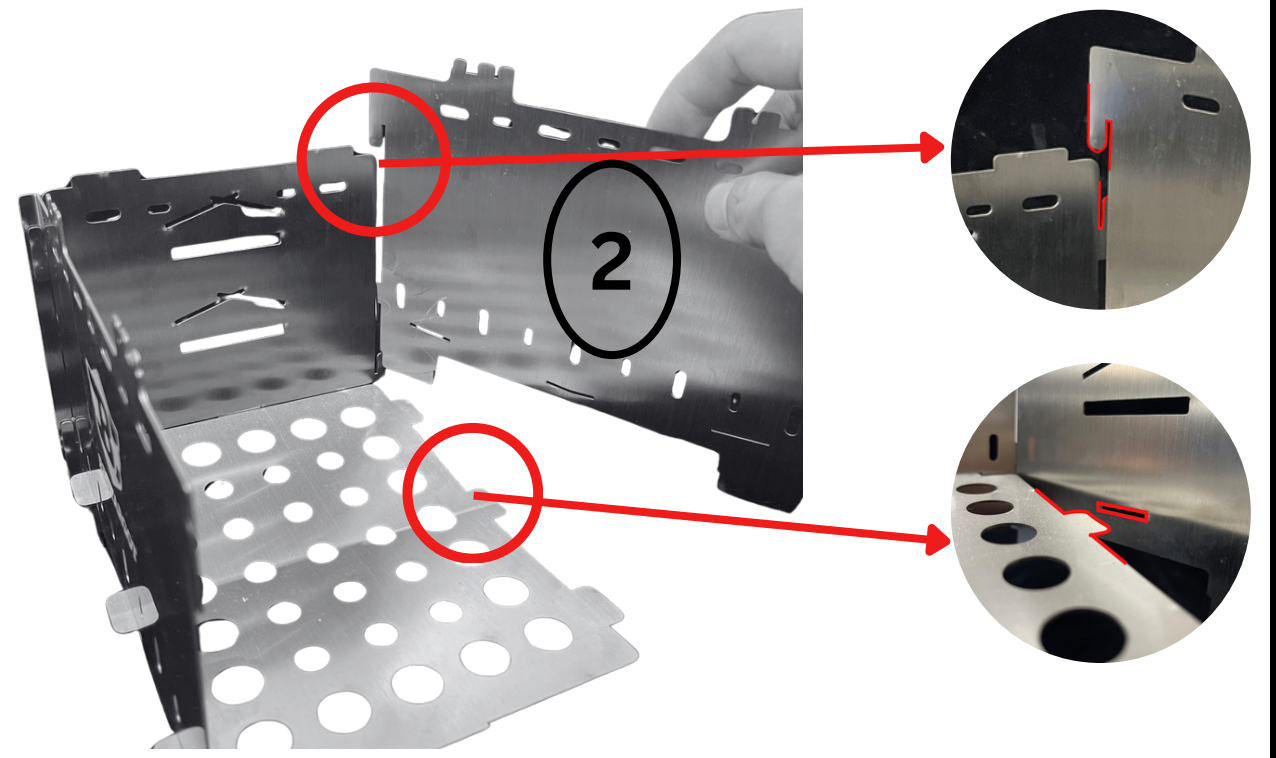
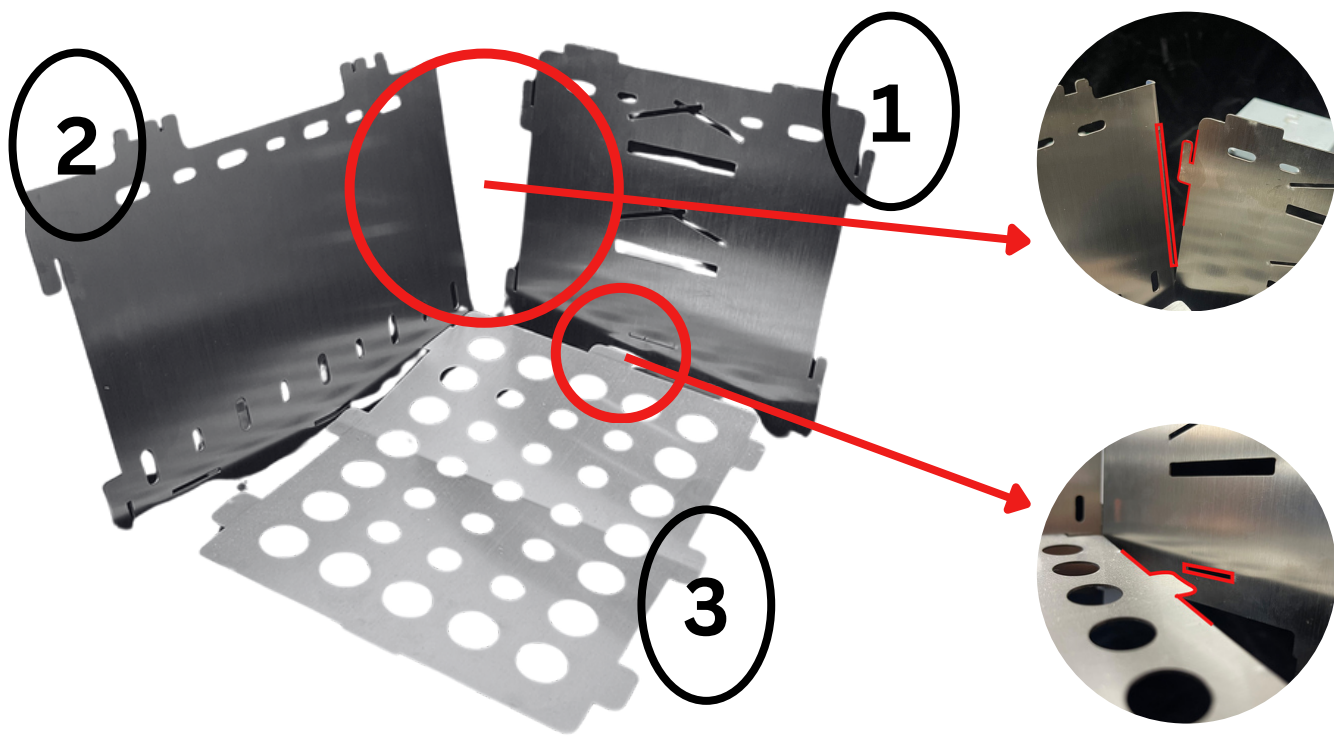
BSTCG02 Charcoal Grill

Dimensions when in use:
 24 x 16 x 26cm (9.4 x 6.3 x 10.2inch)
 Dimensions when stowed:
 24 x 16 x 5cm (9.4 x 6.3 x 2inch)
 Weight: 1.6kg (56oz.)
 Supported fuels: wood, charcoal,
 alcohol blocks

BSTCG02GPSET Gas Pixel-Grill

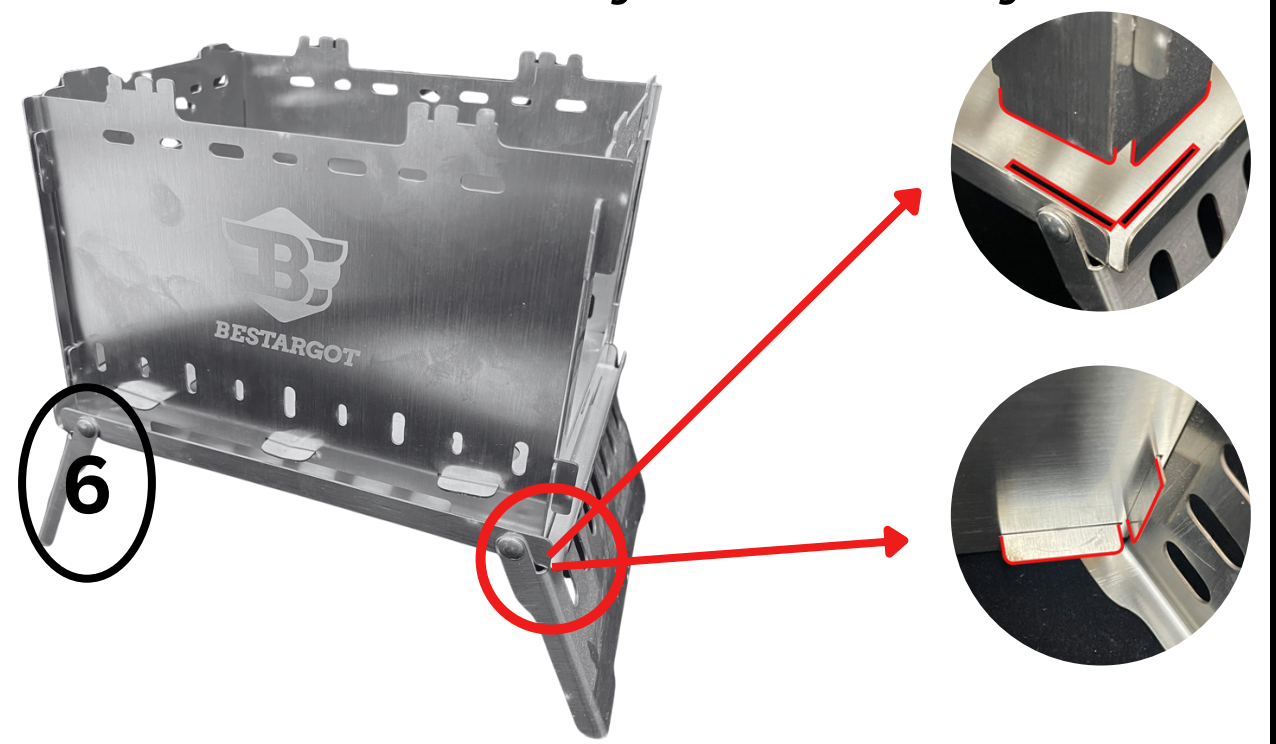
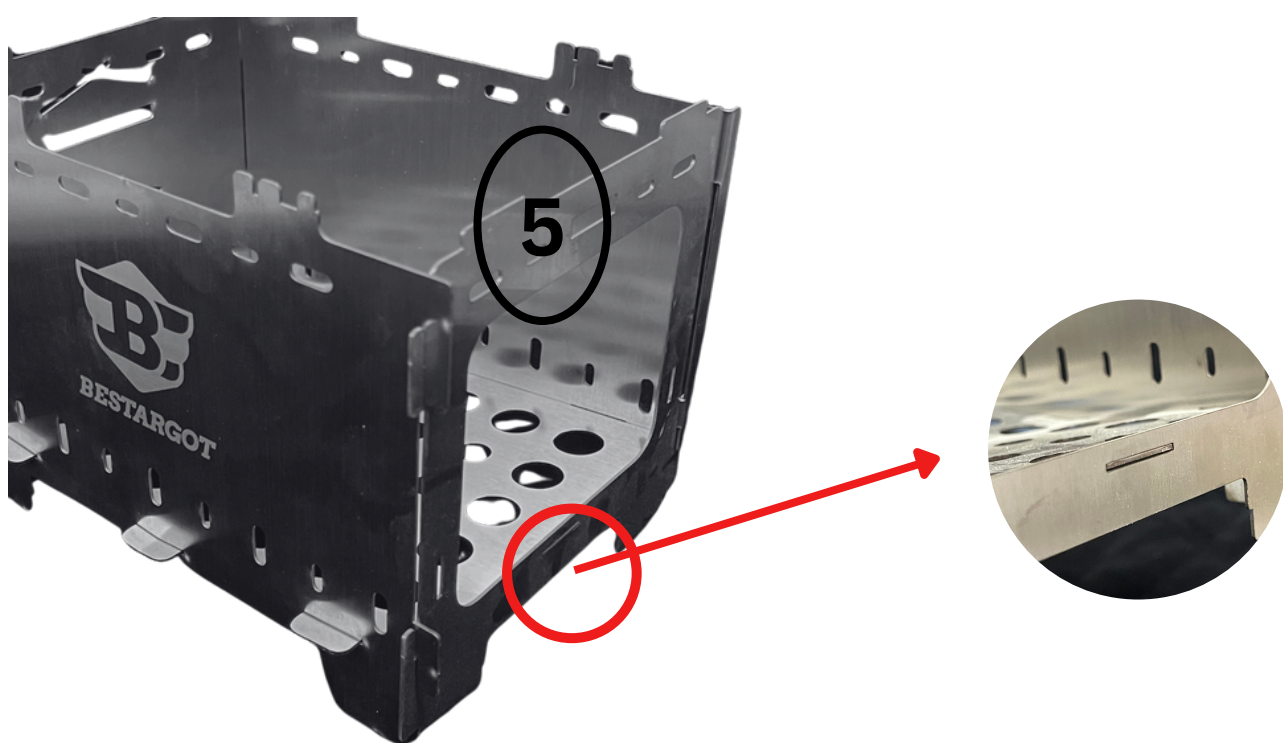
Dimensions when in use:
 24 x 16 x 26cm (9.4 x 6.3 x 10.2inch)
 Dimensions when stowed:
 24 x 16 x 5cm (9.4 x 6.3 x 2inch)
 Weight: 1.8kg (63oz.)
 Supported fuels: gas tank

• **installation steps: Charcoal Grill Model**



• Start by assembling the left side panel (2), the back panel (1), and the charcoal tray (3) together. Ensure all parts are aligned correctly before securing them.

• Attach the right side panel (2) to the structure you've assembled in Step 1. Make sure it's properly aligned with the other panels and the charcoal tray for stability.



• Install the front panel (5) to the assembly. This will enclose the main structure of the charcoal grill. Check that all edges match and the panel fits snugly into place.

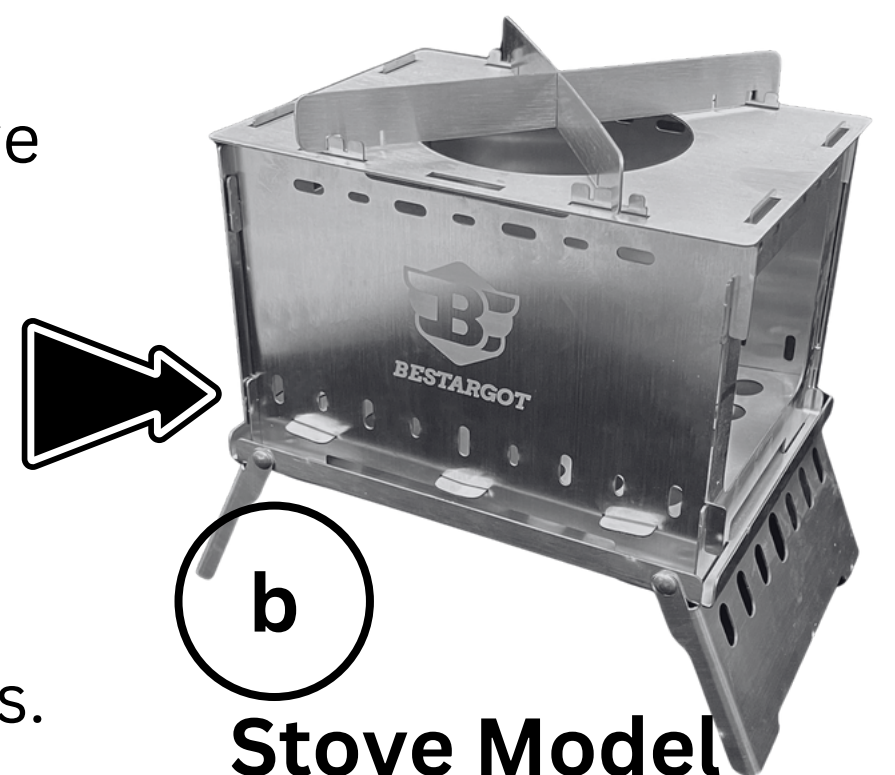
• Mount the main body of the charcoal grill onto the base (6). Ensure it sits evenly on the base, and all connections are tight and secure for safety and stability during use.

• **ATTENTION:** When mounting the main body of the charcoal grill onto the base, it is crucial to insert it behind the legs of the base. This action locks the legs in place, ensuring the grill's stability and safety during use. Please pay careful attention to this detail to prevent any accidents or instability.



Grill Model

• According to your specific needs, you have the option to assemble the unit in either **Grill Mode** or **Stove Mode**. This flexibility allows you to customize your cooking experience to match your preferences.



Stove Model



CAUTION

Confirm that the flame has been extinguished prior to cleaning or stowing.

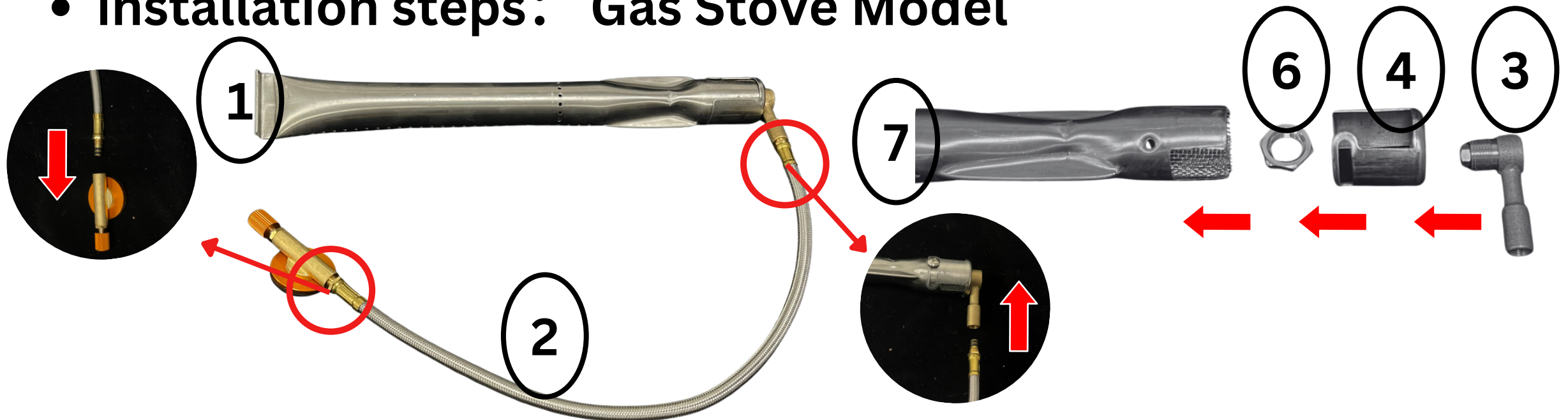
ALWAYS be cautious about residual flame on the charcoal after use. Make sure that clean up is done after the flame is completely extinguished.



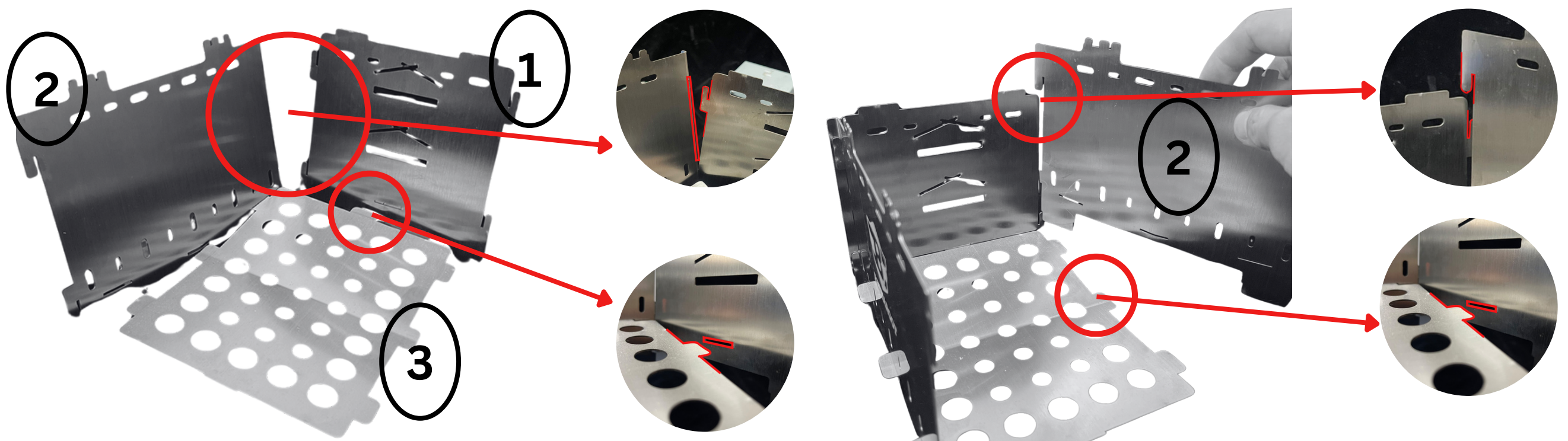
CAUTION

NEVER move the product when in use.

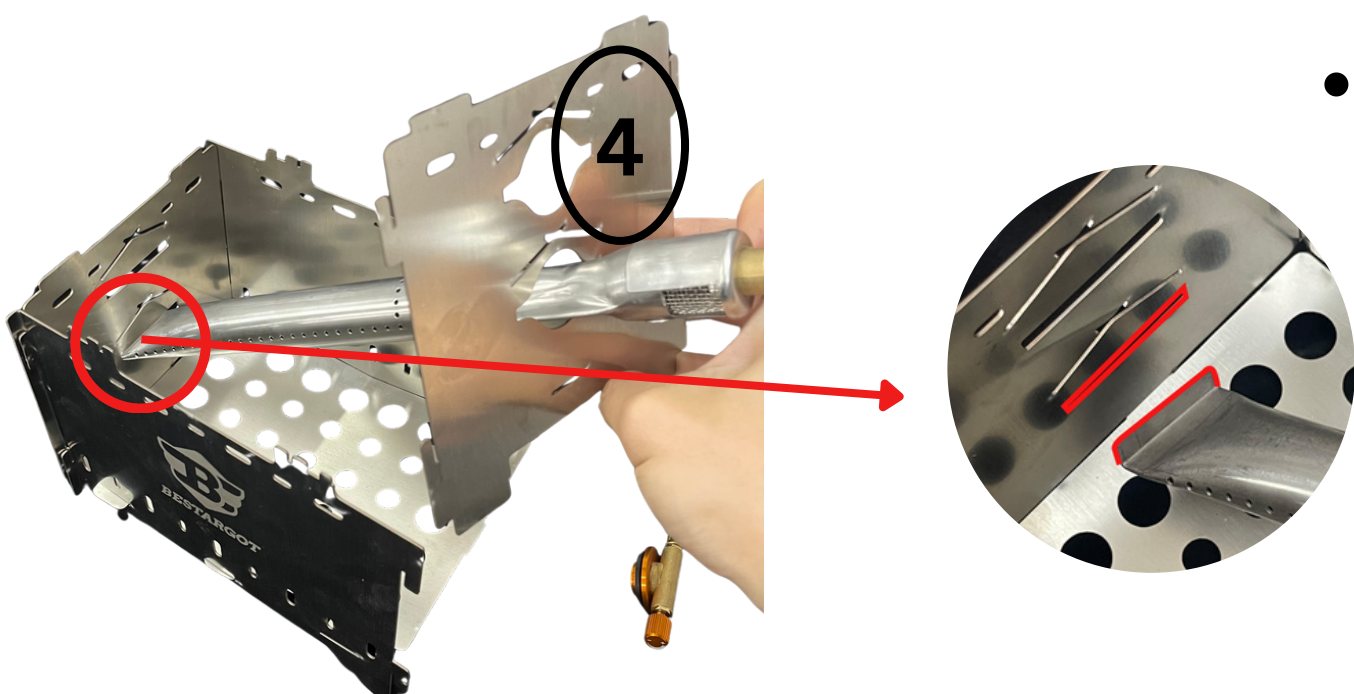
• installation steps: Gas Stove Model

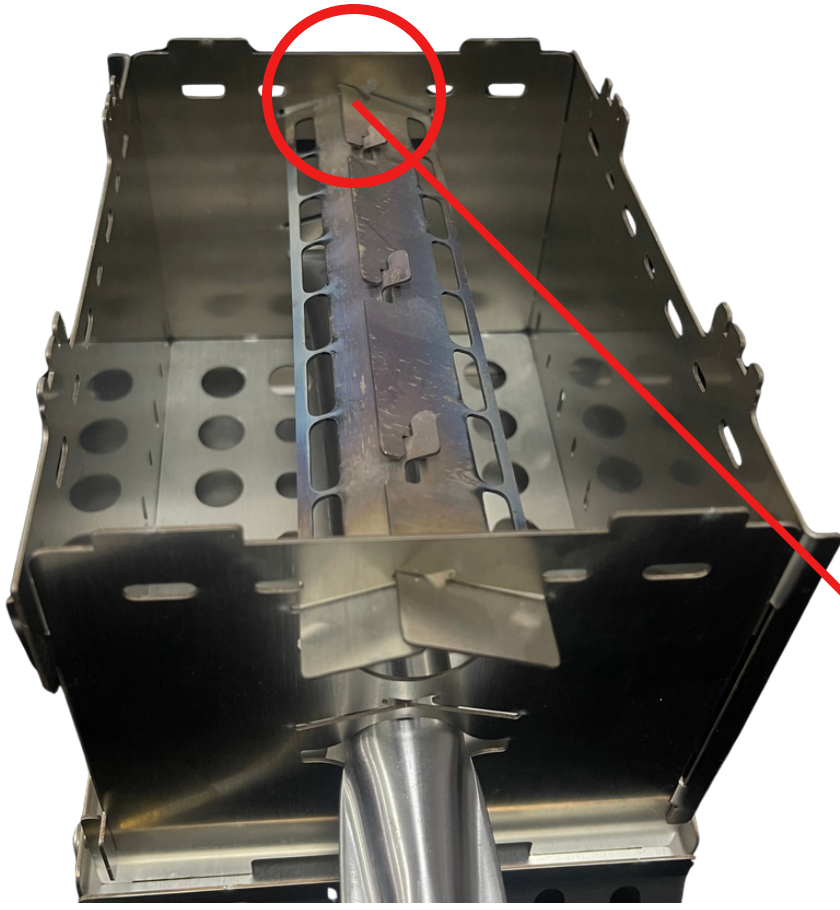


- **STEP 1:** Begin by connecting the gas nozzle (3), straight burner interface (4), and the fixing nut (6) in sequence. Ensure that each component is properly aligned and connected securely to avoid any gas leaks.
- **STEP 2:** Attach the assembly from Step 1 onto the straight tube (7), then secure it with screws (5). **NOTE:** that the screws (5) do not need to be fully tightened at this stage. This allows for later adjustments to the air intake of the straight tube, optimizing combustion efficiency.
- **STEP 3:** Connect the hose (2) to both the control valve (1) and the gas nozzle (3). Once connected, tighten these connections to ensure they are secure and leak-free.



- Start by assembling the left side panel (2), the back panel (1), and the charcoal tray (3) together. Ensure all parts are aligned correctly before securing them.
- Attach the right side panel (2) to the structure you've assembled in Step 1. Make sure it's properly aligned with the other panels and the charcoal tray for stability.
- Insert the assembled straight tube burner through the front panel (4), ensuring that the end of the straight tube locks into place against the back panel. **NOTE:** the end of the straight tube faces upwards. Following this, install the front panel onto the main body of the gas stove.





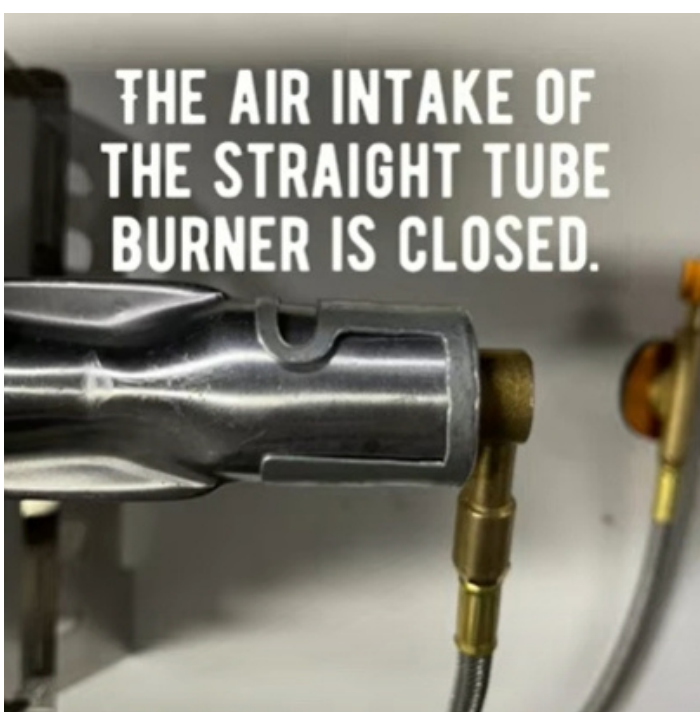
- Start by assembling the two baffle plates (**8**) together. Once assembled, attach one end to the body of the gas stove, then proceed to install the other end. Ensure that both ends of the baffle plates are securely attached to the burner body. This installation is crucial for directing the flame and protecting the burner from drippings, which helps in maintaining an even cooking temperature and prolongs the lifespan of the burner.



- Mount the main body of the gas stove onto the base (**6**). Ensure it sits evenly on the base, and all connections are tight and secure for safety and stability during use.

• **ATTENTION:** When mounting the main body of the gas stove onto the base, it is crucial to insert it behind the legs of the base. This action locks the legs in place, ensuring the stove's stability and safety during use. Please pay careful attention to this detail to prevent any accidents or instability.

• Straight tube burner tutorial



- Step 1: Ensure that the air intake valve on the straight tube burner is in the **CLOSED** position. This initial step is crucial for starting the burner safely and efficiently.
- Step 2: Gently open the gas valve and then ignite the burner. It's important to perform this step carefully to avoid any sudden flare-ups or unsafe conditions.
- Step 3: Adjust the air intake valve to regulate the amount of air mixing with the gas, aiming to achieve a **BLUE** flame. A blue flame indicates optimal combustion, meaning the burner is operating efficiently and safely.
- Once these steps are completed, the straight tube burner is ready for use. Always monitor the flame and make adjustments as necessary to maintain the blue flame for the best cooking results and energy efficiency. Remember to follow all safety precautions when operating the BBQ grill to ensure a safe and enjoyable cooking experience.