

Two Tone Tables

Overview

Configurable Tables

Two Tone Tables are simple, elegant and durable. Each table is designed to last and crafted with pride in Lancaster, Pennsylvania from responsibly harvested ash wood. These customizable surfaces reflect MIO's commitment to making products that fit the life cycles of the materials used.



Materials Responsibly harvested ash and powder coated steel

Assembly Each table includes four large hex screws and tool for assembly. The hardware is hidden underneath the powder-coated plates.

Cleaning Clean table surfaces with water and mild detergent or wood cleaners. Avoid harsh chemicals and abrasive cleaners.

Two Tone Tables

Environmental

Origin Two Tone tables are made in the USA from locally sourced materials.

Design Manufactured to ship flat, maximize material yield and most importantly to stand the test of time.



Renewable

This product is made from wood sourced from responsibly managed forests or is independently certified by FSC (Forest Stewardship Council).



Locally sourced

This product was manufactured within 100 miles from the point of distribution.

LEED Credits

MR Credit 4.1: Recycled Content: 10% (post-consumer + 1/2 pre-consumer) (1 Point)

MR Credit 4.2: Recycled Content: 20% (post-consumer + 1/2 pre-consumer) (1 Point in addition to MR Credit 4.1)

MR Credit 5.1: Regional Materials: 10% Extracted, Processed & Manufactured Regionally (1 Point)

Site specific: Contact us for additional information

MR Credit 5.2: Regional Materials: 20% Extracted, Processed & Manufactured Regionally (1 Point in addition to MR Credit 5.1)

Site specific: Contact us for additional information



MIO is a B Corporation certified company. B Corps are for-profit companies certified by the nonprofit B Lab to meet rigorous standards of social and environmental performance, accountability, and transparency. For more information visit: www.bcorporation.net

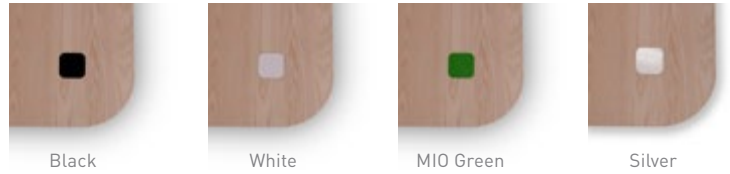
Two Tone Tables

Two Tone Tables are sleek and durable surfaces for dining, working, sharing and playing. The tables' solid wood construction and incredible detailing command attention in any room. The designs are precisely machined out of responsibly-harvested ash wood, reflecting MIO's commitment to making products out of responsible materials that match the products life cycle. Two Tone tops are available in Natural Ash with leg options in white, black or natural ash. The cover plates are available in white, silver, black or MIO green for the color adventurous.

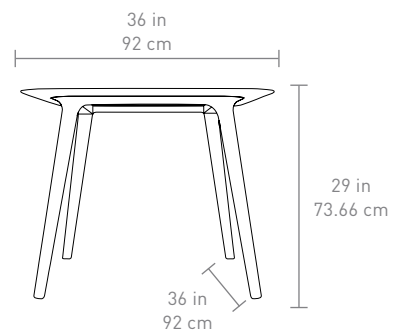


Two Tone Tables

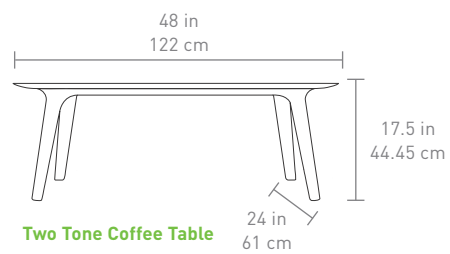
Cover Plate Colors



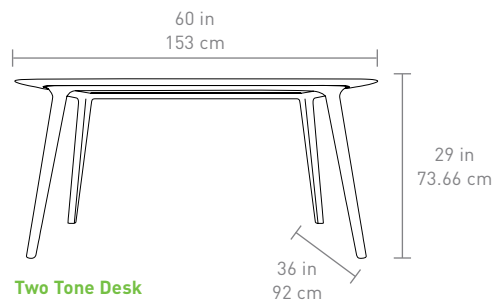
Dimensions



Two Tone Dining Table



Two Tone Coffee Table



Two Tone Desk

Leg Finish



White Ash



Black Ash



Natural Ash

