

Slide Shelf System

Overview

Modular Storage System

Slide is a modular storage system comprised of sturdy brackets, shelves and bins that can be configured to display and organize any home or office. The components slide into position creating a variety of functional options. Slide provides flexible storage in living rooms, kitchens, bedrooms and workspaces.



Materials Slide brackets and bins are made from laser-cut, power coated steel. Shelves are made from responsibly harvested ash wood.

Format Shelves and brackets sold together. Large and small bins sold separately.



Slide Shelf System

Environmental

Origin Slide Shelves are made in the USA from locally sourced materials.



Recycled Content

The steel alloy used to make components of this product has recycled content ranging between 30% and 40% depending on production batch.



Recyclable

This product has components made out of steel, which is a commonly recycled material. Three-fourths of all American steel ends up recycled into new products.



Environmentally Preferable Finish

This product has components which have been powder coated. This coating is a durable low VOC (volatile organic compounds) finish that does not emit any harmful breathable particles or odors into living spaces.

LEED Credits

MR Credit 4.1: Recycled Content: 10% (post-consumer + 1/2 pre-consumer) (1 Point)

MR Credit 4.2: Recycled Content: 20% (post-consumer + 1/2 pre-consumer) (1 Point in addition to MR Credit 4.1)

MR Credit 5.1: Regional Materials: 10% Extracted, Processed & Manufactured Regionally (1 Point)

Site specific: Contact us for additional information

MR Credit 5.2: Regional Materials: 20% Extracted, Processed & Manufactured Regionally (1 Point in addition to MR Credit 5.1)

Site specific: Contact us for additional information



MIO is a B Corporation certified company. B Corps are for-profit companies certified by the nonprofit B Lab to meet rigorous standards of social and environmental performance, accountability, and transparency. For more information visit: www.bcorporation.net

Slide Shelf System

Slide is an organization system based on basic stand alone components. The brackets are designed as stops and as visual connection points for other shelves. The bins provide varying levels of organization and visual interest. Bins are designed to be repositionable and accommodate changing storage needs.



Slide Shelf System

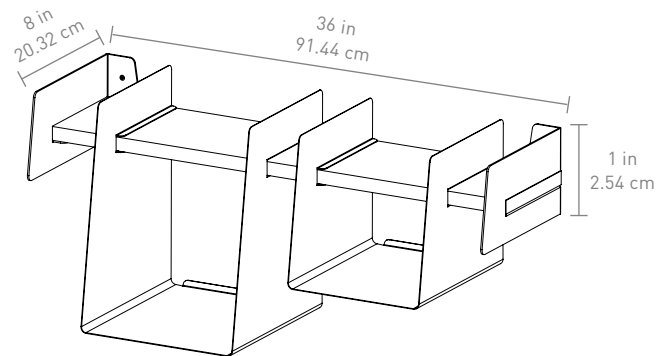
Philosophy

Slide Shelf System embraces decoration as an integral part of organization for the twenty first century. As our lives become more dematerialized we keep only the things we love or need. Slide aims at giving those objects order and a space to be present in living spaces.

Colors



Dimensions



Weight 11.3 lb / 5.1 kg