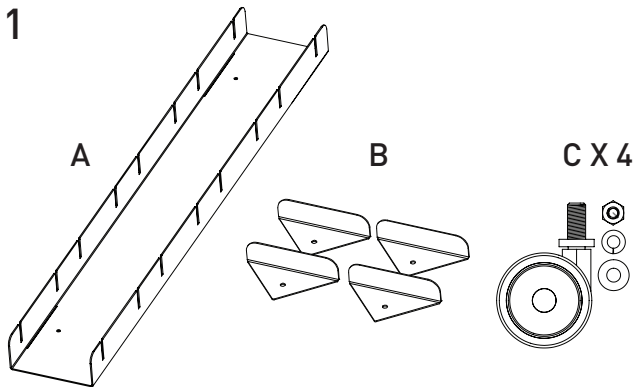




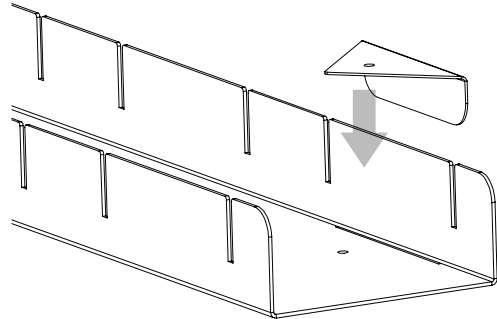
NOMAD SLED WALL

1



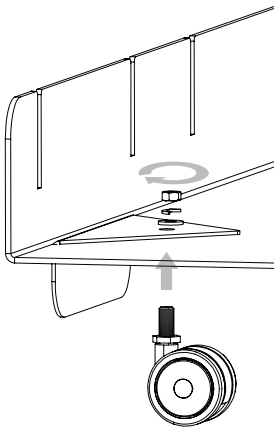
Nomad Sled includes one base (A), four wheel covers (B) and 4 casters with their respective washer, lock washer and nut.

2



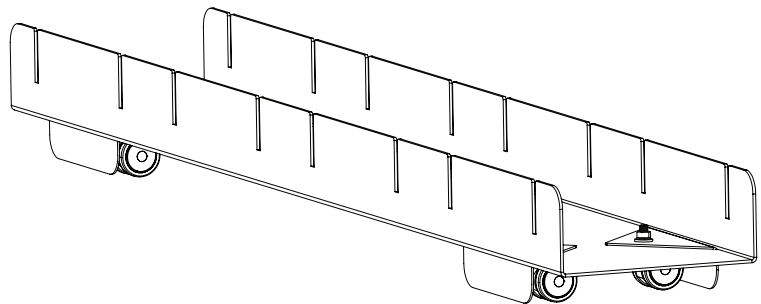
Insert castor covers as shown lining up the holes on the plate cover and the base.

3



Secure plate covers by inserting the castor through the holes and securing them with the washer, lock washer and nut (in that order)

4



Be sure to tighten the nuts so that they are secure and check that the castors can rotate freely. The Nomad Sled is now ready to support a Nomad Felt Wall. Use the small notches on the Nomad System Felt to secure the wall to the base.

Still have questions?
Drop us a line or give us a call:

Email: info@mioculture.com
US Toll Free: 1-888-563-3916
International: +1 (215) 925-9359

MIOCULTURE.COM



All trademarks, service marks and trade names [MIO, product names and the MIO logo] are owned and registered by MIO. All content including but not limited to text, designs, graphics, photos and all other content ("Content") is a collective work under the United States and other copyright laws and is the proprietary property of MIO. All rights reserved. ©2020 MIOOIM LLC.