

# Poncho

## MATERIALS:

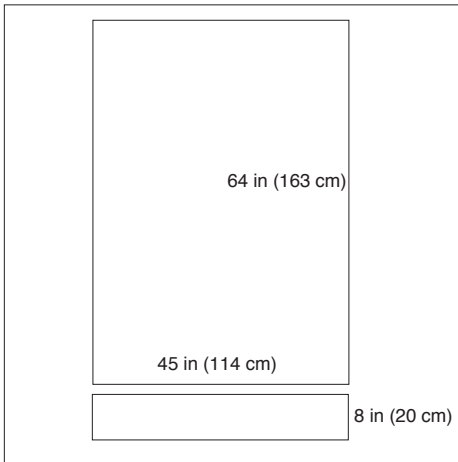
2 yards of Loop (183 cm)  
 Velcro  
 Carpet tape  
 (if not using a sewing machine)

## TOOLS:

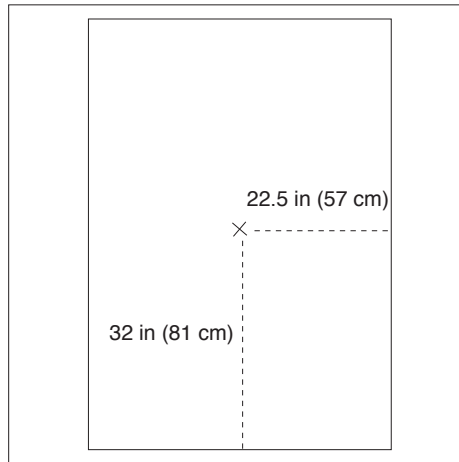
Scissors  
 Straight edge / ruler  
 Sewing machine  
 (if not using carpet tape)

**DIFFICULTY:** Medium

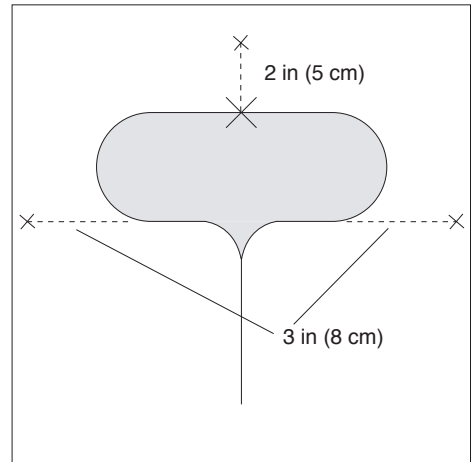
**TIME:** 1 hour



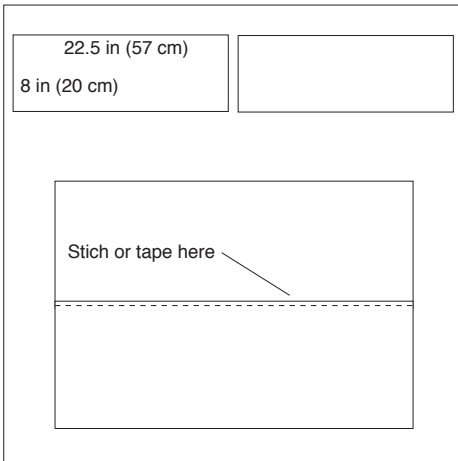
**STEP 1** Cut 8 in (20 cm) off the short edge of your material so that you are left with a 45 in (114 cm) by 64 in (163 cm) rectangle. **Save for step 4.**



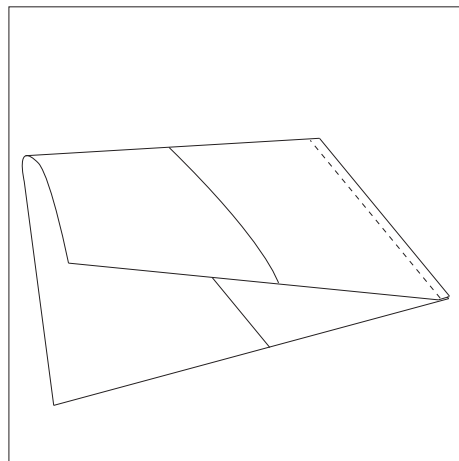
**STEP 2** With your ruler find and mark the middle of your large rectangle. Use the poncho template on page 2 to cut the hole for your head.



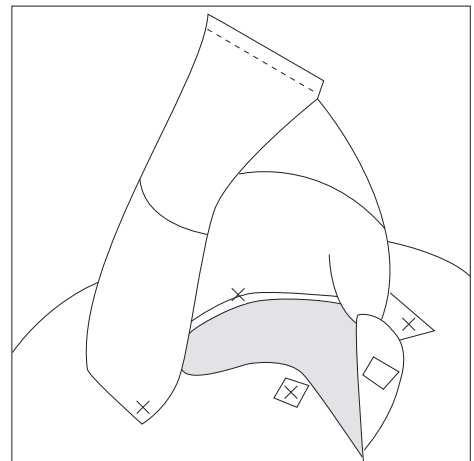
**STEP 3** Measure up 2 in (5 cm) from the center mark and place a mark. From the bottom corners of the hole measure out 3 in (8 cm) and place marks.



**STEP 4** Take the 8 in (20 cm) strip you cut off earlier. Cut it in half so that you have 2 pieces that measure 8 in (20 cm) by 22.5 in (57 cm). Sew/tape these two halves together for the start of your hood.

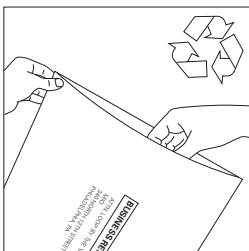


**STEP 5** Fold a long edge together and sew/tape it down the length. This will be your hood.



**STEP 6** Apply velcro at the marks you made earlier on the poncho or stitch the hood on. Crinkle the poncho to make it softer and lay more flat.

Send us the scraps left over at the end of your project .



## RECYCLING

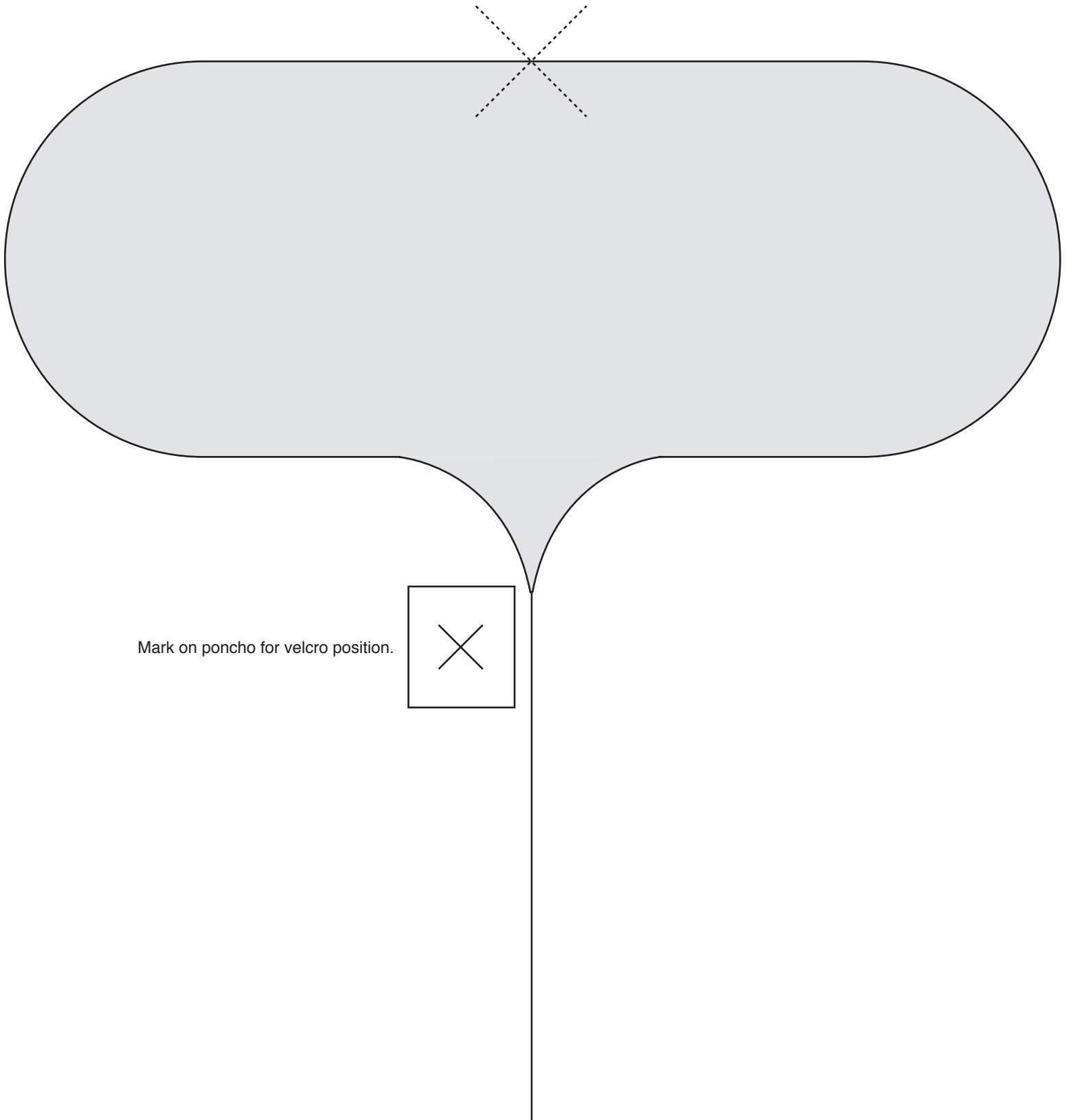
Loop can be recycled and used to make plastic lumber for decks and other weather resistant, outdoor products. When your project is no longer needed please use the prepaid recycling envelope to send Loop back to us.

Misplaced your recycling envelope?  
 Please write to: [info@mioculture.com](mailto:info@mioculture.com) or call us at: 215-925-9359

To order more Loop go to [www.mioculture.com](http://www.mioculture.com)

# Poncho Template

Line up the X with the middle mark you made.  
Cut out all solid lines so that you are left with a hole for your head.



Mark on poncho for velcro position.