

Panel Curtain

MATERIALS:

1 yard of Loop (91 cm)
Dowels / conduit

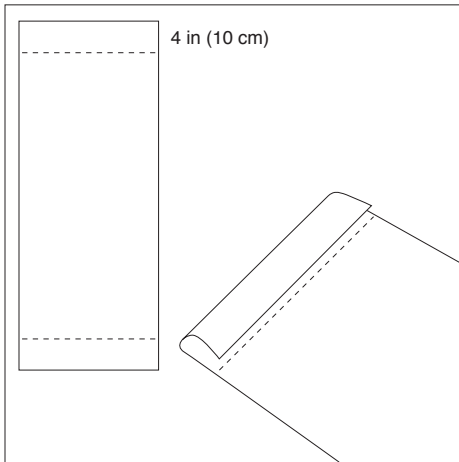
TOOLS:

Scissors
Straight edge / ruler
Sewing machine

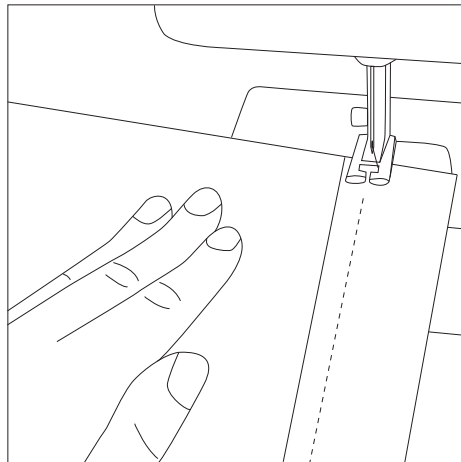
DIFFICULTY: Medium

TIME: 1 - 2 hours

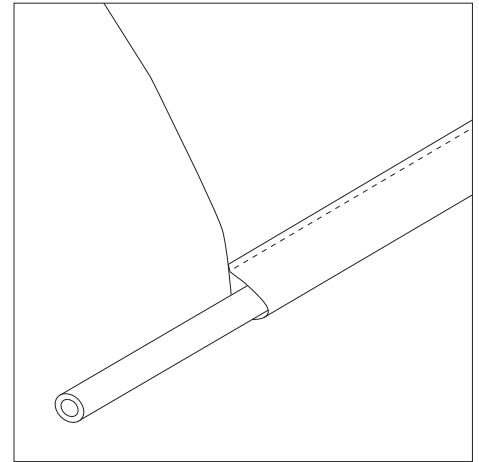
STEP 1 Start by cutting the yard of Loop in half so that you have 2 pieces that measure 18 in (46 cm) by 45 in (114 cm). This is for 18 in (46 cm) by 43 in (109 cm) curtains.



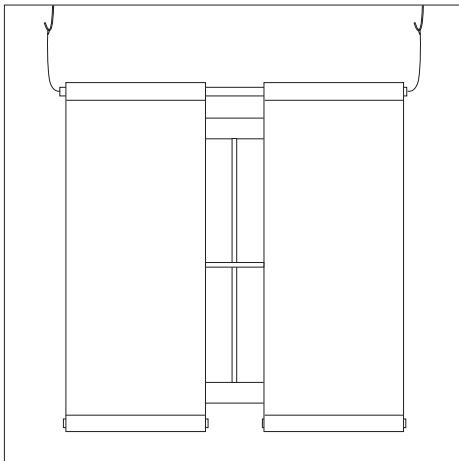
STEP 2 Take each piece and mark 4 in (10 cm) in from both shorter edges. Fold the edges in to these marks.



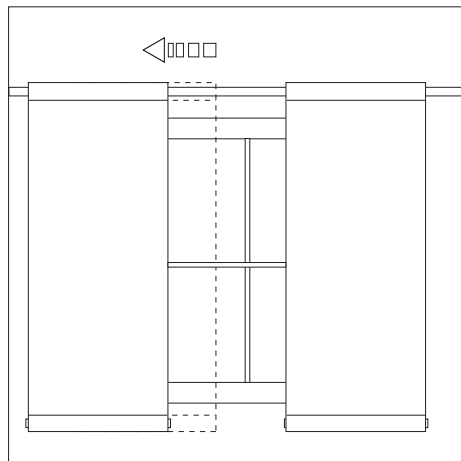
STEP 3 Stich along the edge of each fold to create a pocket along the top and bottom of the curtain.



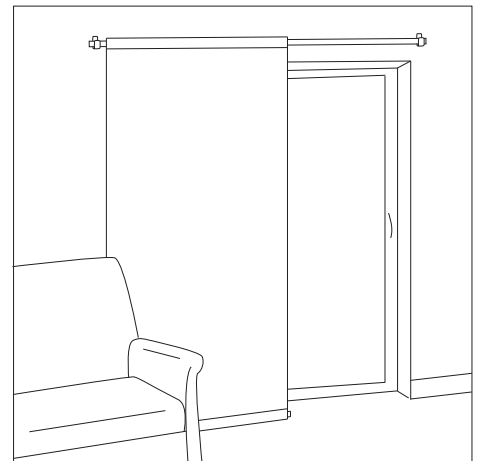
STEP 4 Insert a dowel / conduit into the bottom pocket before you hang the curtain so that it will hang straight.



STEP 5 Slide the curtains onto a piece of conduit to hang. Run a rope through the conduit and hang from hooks on the ceiling.

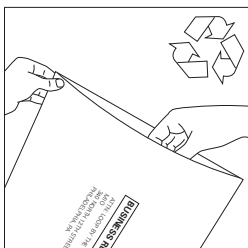


STEP 6 If curtains are hung on a rod they can be slid back and forth.



STEP 7 For larger curtains use several yards of Loop.

Send us the scraps left over at the end of your project .



RECYCLING

Loop can be recycled and used to make plastic lumber for decks and other weather resistant, outdoor products. When your project is no longer needed please use the prepaid recycling envelope to send Loop back to us.

Misplaced your recycling envelope?
Please write to: info@mioculture.com or call us at: 215-925-9359

To order more Loop go to www.mioculture.com