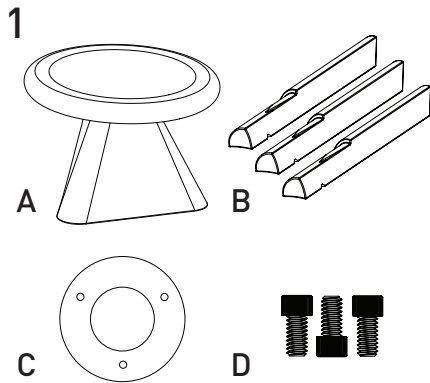
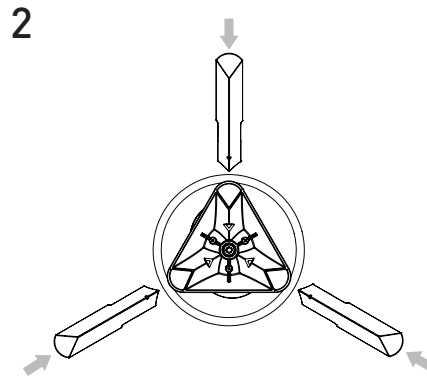




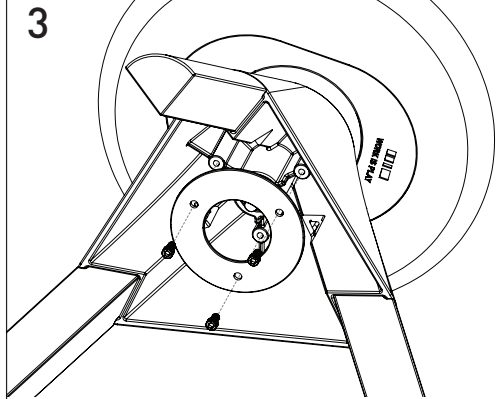
GLIDE STOOL



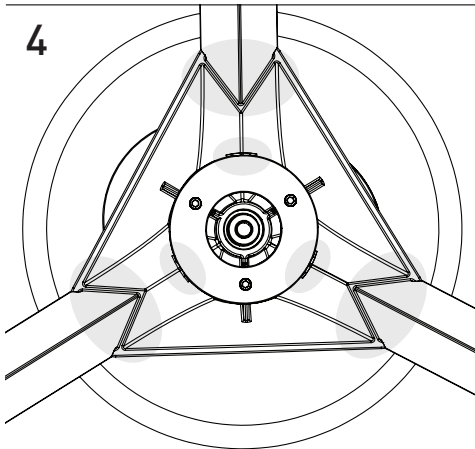
Glide Stools include one seat hub (A), three legs (B), one leg locking washer (C) and three 1/4 20 hex screws (D)



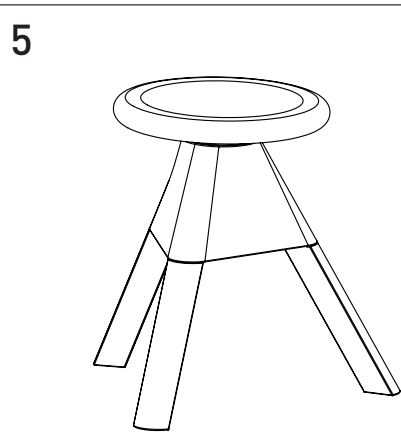
Carefully flip seat hub onto a clean and soft surface to prevent scratching. Insert legs into hub pockets until legs align with hub.



Secure legs using the leg locking washer and 1/4 20 screws. Use a hex key (not included) to secure the locking washer. **Do not over tighten.**



Leg shoulders should meet edge of the hub and small leg notches should be aligned to hub pocket openings as highlighted above.



Flip over the Glide Stool and Enjoy!

Still have questions?
Drop us a line or give us a call:

Email: info@mioculture.com
US Toll Free: 1-888-563-3916
International: +1 (215) 925-9359

MIO
915 Spring Garden St. Studio 305
Philadelphia, PA 19123

MIOCULTURE.COM



All trademarks, service marks and trade names [MIO, product names and the MIO logo] are owned and registered by MIO. All content including but not limited to text, designs, graphics, photos and all other content ("Content") is a collective work under the United States and other copyright laws and is the proprietary property of MIO. All rights reserved. ©2020 MIOIM LLC.