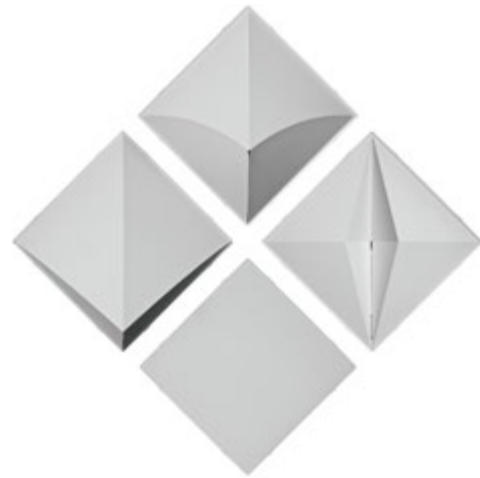
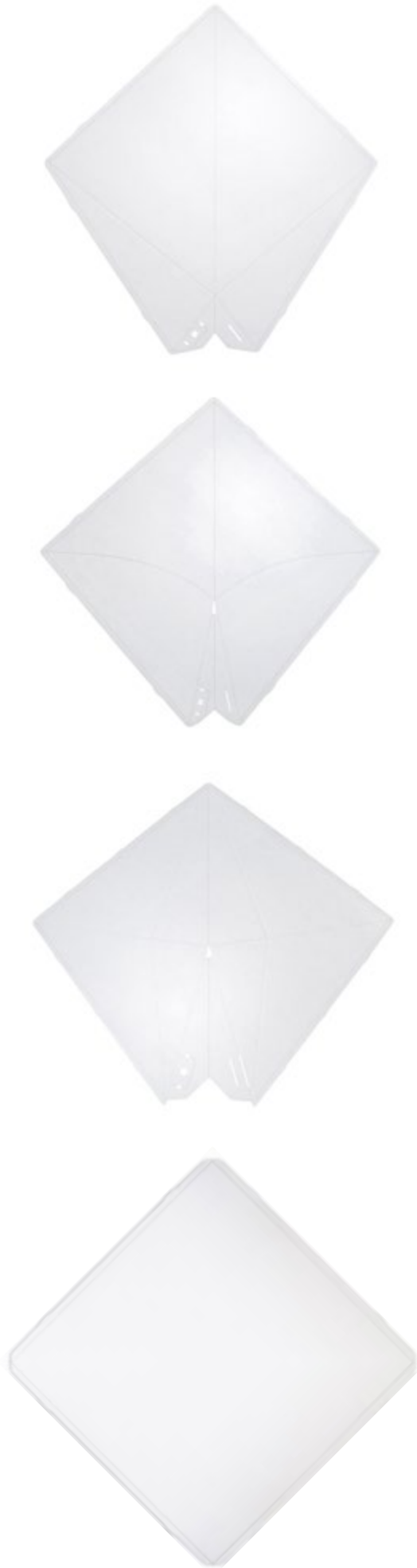


## FoldScapes Overview

### *Drop Ceiling System*

FoldScapes are flat-packed cardboard ceiling tiles that can transform any space with dimensional pattern. FoldScapes fit standard two by two foot drop ceiling grids. The tiles are available in three designs that can be configured to create a variety of dynamic visual landscapes. FoldScapes are made in the US from FSC certified cardboard; they are lightweight, easy to install, and highly recyclable.



**Materials** FSC certified E-Flute corrugated cardboard (Fire retardant treatment optional).

**Manufacturing Process** Tiles are die-cut out of corrugated cardboard and folded at installation site. Tiles can be treated with fire retardant coating.

**Format** A pack of FoldScapes includes 24 tiles. One pack covers a 96 sq. ft. (29.2 sq. m.) area.

**Acoustics** Peak, Bloom, and Crystal are not designed as acoustic tiles, although they diffuse sound and provide some acoustic diffusion. Please contact us for additional information and test results.

**Fire Rating** Standard Residential tiles are not fire rated. Commercial tiles with a fire treatment are available by special order. Please contact us for pricing and order minimums.

# Foldscapes Environmental

**Origin** FoldScapes are made in the USA.



## Recycled Content

The fiber content of FoldScapes are recycled from waste collected from manufacturers of paper and paper packaging products (pre-consumer waste) as well as from paper collected from homes and offices via recycling programs (post-consumer waste). Its recycled content diverts waste from landfills and reduces the energy footprint required to make the paper used in FoldScape's structure.



## Recyclable

FoldScapes can be recycled to make new paper products of similar quality, once again avoiding the landfill. Existing recycling infrastructure makes it easy for customers to close the recycling loop, save trees, and have an impact.



## Renewable

FoldScapes are made from paper manufactured from wood fibers, a renewable resource. Because the forests from which FoldScape's paper is made are responsibly harvested and managed, the environmental impact is greatly reduced. FSC Certification is available upon request.

## LEED Credits

MR Credit 4.1: Recycled Content: 10% (post-consumer + 1/2 pre-consumer) (1 Point)

MR Credit 4.2: Recycled Content: 20% (post-consumer + 1/2 pre-consumer) (1 Point in addition to MR Credit 4.1)

MR Credit 5.1: Regional Materials: 10% Extracted, Processed & Manufactured Regionally (1 Point)

Site specific: Contact us for additional information

MR Credit 5.2: Regional Materials: 20% Extracted, Processed & Manufactured Regionally (1 Point in addition to MR Credit 5.1)

Site specific: Contact us for additional information



MIO is a B Corporation certified company. B Corps are for-profit companies certified by the nonprofit B Lab to meet rigorous standards of social and environmental performance, accountability, and transparency. For more information visit: [www.bcorporation.net](http://www.bcorporation.net)

## Foldscapes Installation

### Folding

Use a clean, flat surface to fold tiles. To avoid unwanted creases in the tiles, follow folding instructions carefully. Pre-fold tiles so that they fit comfortably in two by two foot standard ceiling grids. FoldScapes are not designed for low profile drop ceiling grids. Peak, Bloom, and Crystal have video instructions for folding, which can be found at [www.vimeo.com/mioculture](http://www.vimeo.com/mioculture).

### Installation

Insert each tile diagonally through the drop ceiling opening, turn the tile until it aligns with the grid, then drop it into place. Installation is the same process as traditional flat tiles.

### Painting

FoldScapes can be optionally painted with a variety of finishes. We recommend testing out the finish on the back side of a tile to determine if the finish will work. Follow manufacturer instructions for best results. Tiles may warp due to paint humidity. Consider the following finishes:

- Latex-based paints
- Spray paints
- Oil-based paints



## Foldscapes Installation

**Cutting** Tiles may be cut with a utility knife, scissors, or an X-Acto knife. For best results, use Square tiles to edge rooms and work around ceiling mechanicals such as fire alarms, sprinklers and lighting fixtures.

**Cleaning** FoldScapes should be dusted or vacuumed as needed. Minor stains and dirt can be removed with an eraser.

**Durability** FoldScapes are fairly resilient, although the tiles will crush if enough force is applied to assembled tiles. Individual tiles can be easily replaced if damaged in any way.



## Foldscapes Peak

Peak FoldScapes create strong directional patterns on any ceiling. Their pyramid-like design is the deepest of all FoldScapes, making it ideal for rooms with high ceilings. The design can be patterned with a simple repeat or in four tile configurations for more intimate settings. Peak FoldScapes can be used as a facing tile and provides ample overhead room for mechanicals.





## Foldscapes Peak

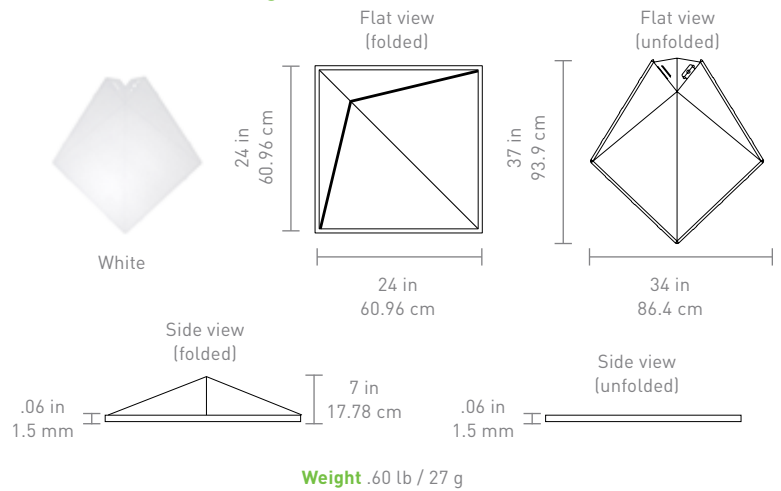
### Benefits

- Control of unwanted reverberation in closed rooms
- Reduction of reflections such as slap-back and flutter echoes from hard surfaces
- Improvement of program clarity and speech intelligibility

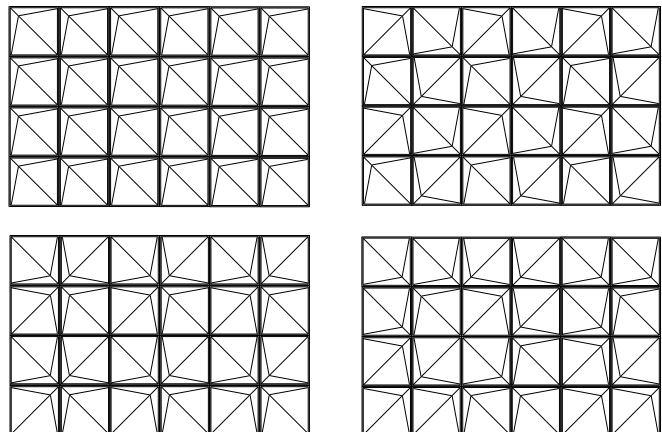
### Applications

- Home theatres, studios and critical listening environments
- Commercial general usage, office and circulation areas
- Conference rooms, auditoriums, classrooms

### Colors and Sizing



### Patterns





## Foldscapes Bloom

Bloom FoldScapes provide a softer more organic visual experience. The tiles challenge the notion of cardboard as a stiff material with sinuous curves. Bloom is ideal for tighter spaces, where a four or six tile pattern is a better fit. Bloom FoldScapes can also be used across larger rooms with a simple repeat.



# Foldscapes Bloom

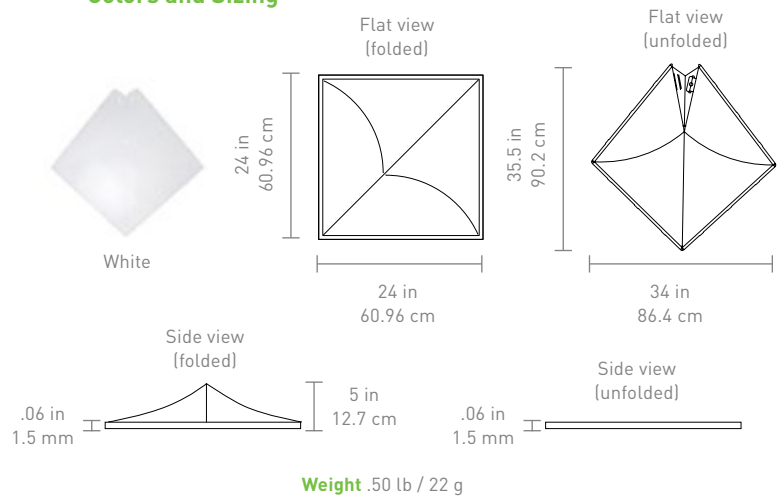
## Benefits

- Control of unwanted reverberation in closed rooms
- Reduction of reflections such as slap-back and flutter echoes from hard surfaces
- Improvement of program clarity and speech intelligibility

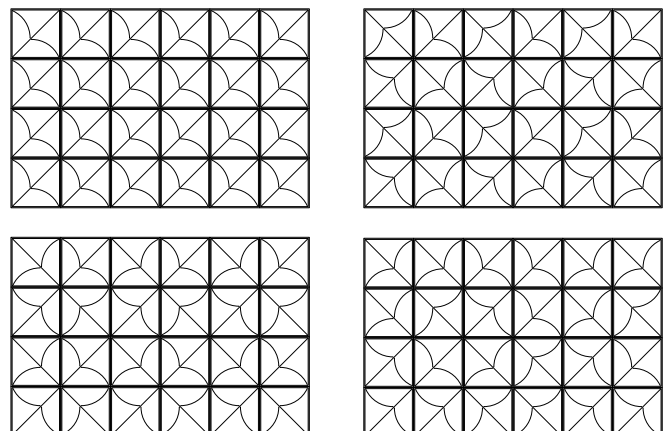
## Applications

- Home theatres, studios and critical listening environments
- Commercial general usage, office and circulation areas
- Conference rooms, auditoriums, classrooms

## Colors and Sizing



## Patterns

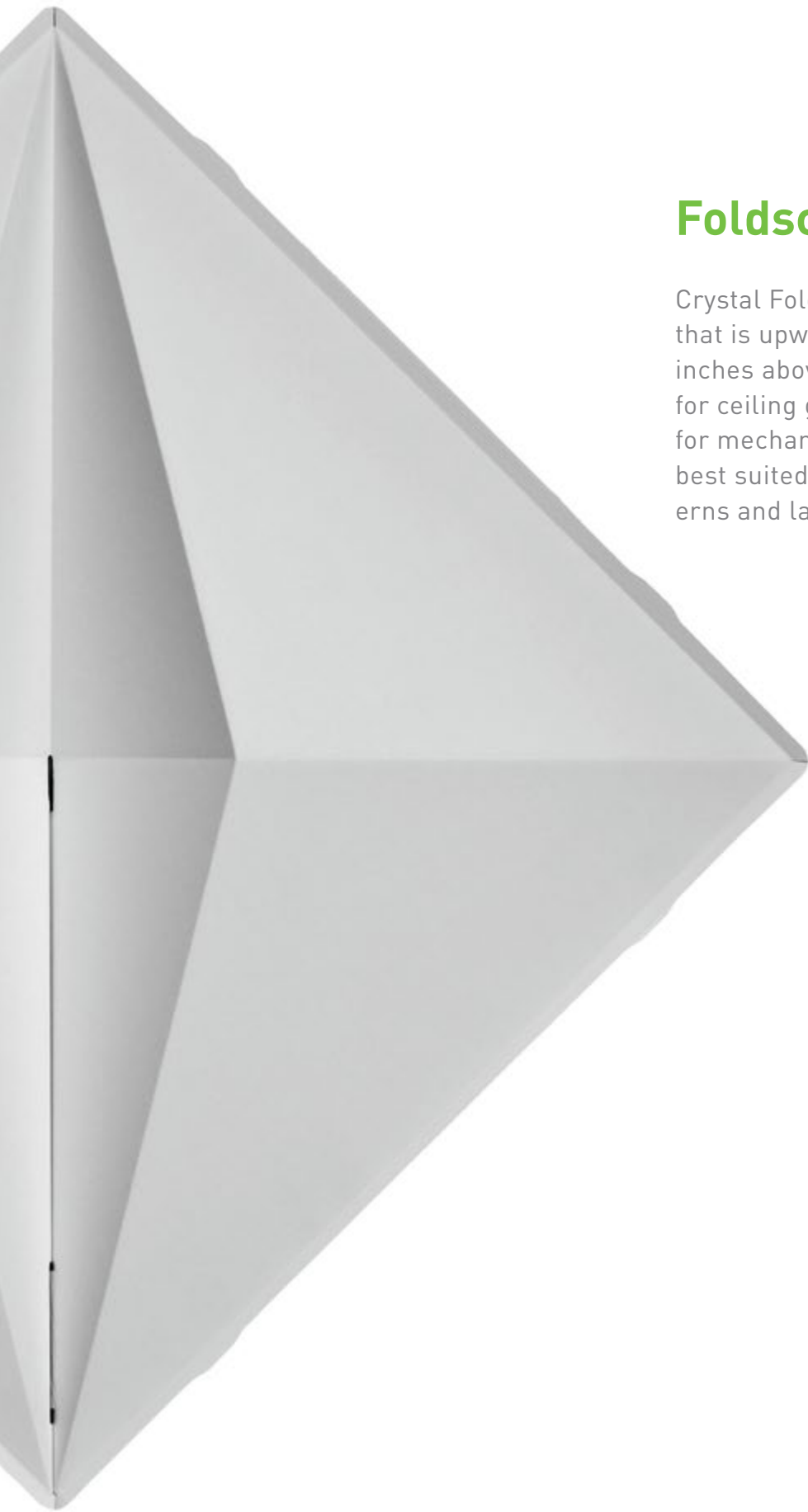






## Foldscapes Crystal

Crystal FoldScapes is the only FoldScapes tile that is upwardly dimensional, protruding four inches above the grid. Crystal is recommended for ceiling grids with plenty of overhead room for mechanicals. The crystal-like pattern is best suited for less directional repeat patterns and larger installations.





## Foldscapes Crystal

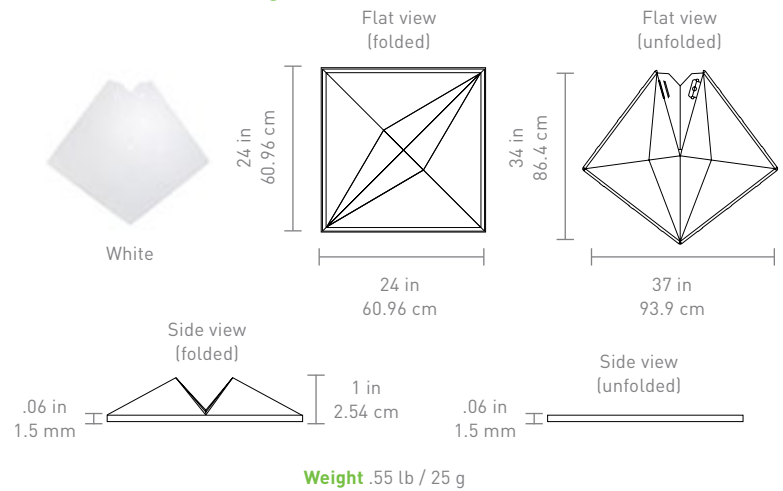
### Benefits

- Control of unwanted reverberation in closed rooms
- Reduction of reflections such as slap-back and flutter echoes from hard surfaces
- Improvement of program clarity and speech intelligibility

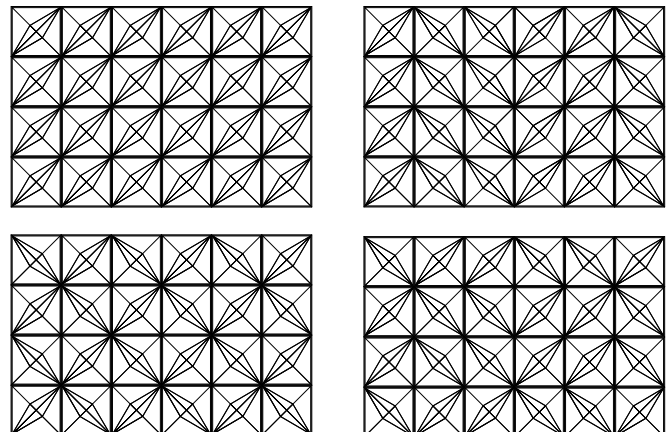
### Applications

- Home theatres, studios and critical listening environments
- Commercial general usage, office and circulation areas
- Conference rooms, auditoriums, classrooms

### Colors and Sizing



### Patterns





## Foldscapes Square

Square FoldScapes are edging tiles designed to match our dimensional offerings. The tiles can be easily cut to install lighting, sprinkler heads, and other building elements that protrude the ceiling grid. Square tiles are also a cost effective solution for finishing spaces cleanly.

# Foldscapes Square

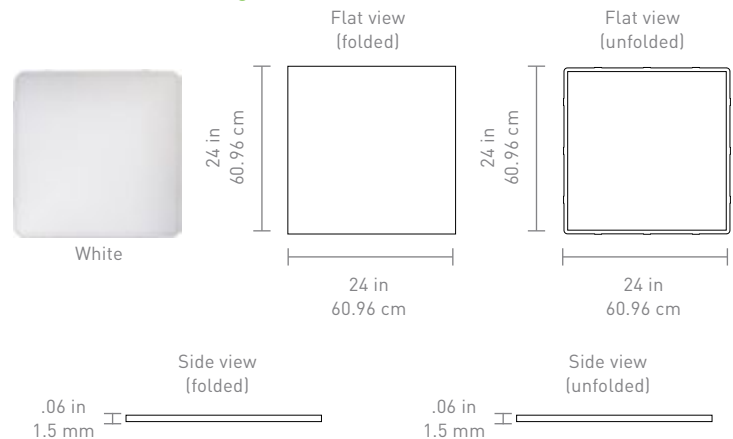
## Benefits

- Control of unwanted reverberation in closed rooms
- Reduction of reflections such as slap-back and flutter echoes from hard surfaces
- Improvement of program clarity and speech intelligibility

## Applications

- Home theatres, studios and critical listening environments
- Commercial general usage, office and circulation areas
- Conference rooms, auditoriums, classrooms

## Colors and Sizing



**Weight** .65 lb / 29 g