

Flip Stools

Overview

Modular Seating & Storage System

Flip stools are secondary accent seating for work and living spaces. They are designed to be assembled in myriad configurations. The design comprises three smart components that can be combined to customize size, form and color. The two base shapes (cones and bowls) can be flipped to create a variety of casual seating or side tables.



Possible Configurations



Stock Finishes



Materials Flip Stools are made from powder coated aluminum. The tops are made from responsibly harvested ash wood.

Format Stools can be customized with cone or bowl shapes and mixed colors.

Assembly Cones and bowls secured with included screws and wing nuts.

Flip Stools

Environmental

Origin Flip Stools are made in the USA from locally sourced materials.



Recycled Content

The aluminum alloy used to make components of this product has recycled content ranging between 40% and 60% depending on production batch.



Recyclable

This product has components made out of aluminum, which is a commonly recycled material.



Environmentally Preferable Finish

This product has components which have been powder coated. This coating is a durable low VOC (volatile organic compounds) finish that does not emit any harmful breathable particles or odors into living spaces.



Renewable

This product is made from wood sourced from responsibly managed forests or is independently certified by FSC (Forest Stewardship Council).



Locally Sourced

This product was manufactured within 100 miles from the point of distribution.

LEED Credits

MR Credit 4.1: Recycled Content: 10% (post-consumer + 1/2 pre-consumer) (1 Point)

MR Credit 4.2: Recycled Content: 20% (post-consumer + 1/2 pre-consumer) (1 Point in addition to MR Credit 4.1)

MR Credit 5.1: Regional Materials: 10% Extracted, Processed & Manufactured Regionally (1 Point)

Site specific: Contact us for additional information

MR Credit 5.2: Regional Materials: 20% Extracted, Processed & Manufactured Regionally (1 Point in addition to MR Credit 5.1)

Site specific: Contact us for additional information



MIO is a B Corporation certified company. B Corps are for-profit companies certified by the nonprofit B Lab to meet rigorous standards of social and environmental performance, accountability, and transparency. For more information visit: www.bcorporation.net

Beauty + Function

Flip stools provide comfortable secondary seating and storage in social spaces. Their modern design is simple, durable and adaptable to a variety of aesthetic needs and programming.



Flip Stools

Design

Flip is designed to provide flexibility and variety with traditional manufacturing processes and materials. Mudalrity transforms familiar shapes into practical, fun and colorful accent seating.

Philosophy

Flip Stools place the user at the center of the design. The height of the stools can be adapted from foot stool to side stool with simple hardware. The shapes provide a playful contrast that informs the design of any space.



Component Colors



White

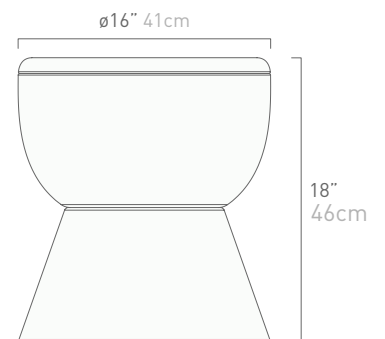


Aqua



Salmon

Dimensions



Weight

20 lb / 9 kg