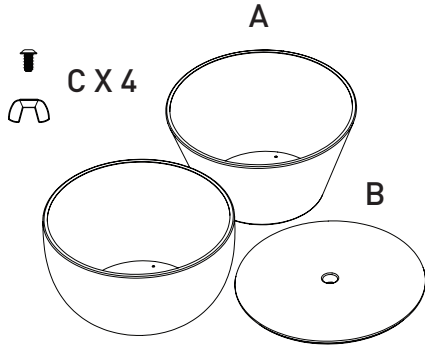
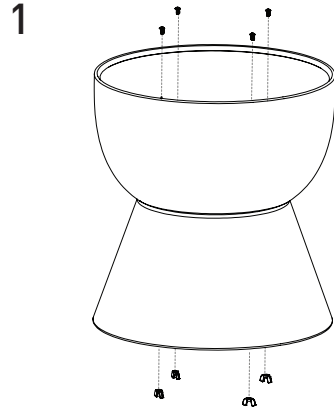


FLIP STOOLS

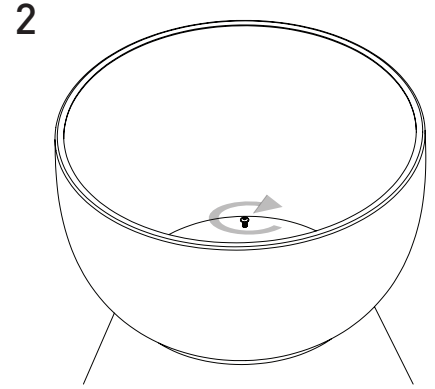
Parts List:



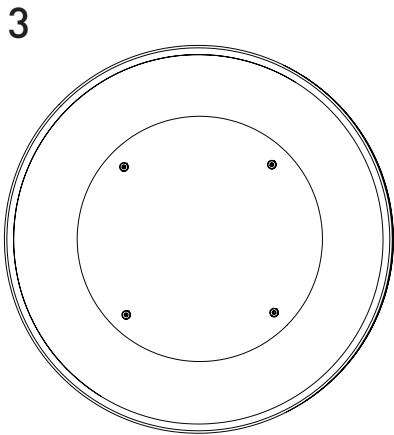
Flip Stools include Cones / Bowls as ordered (A), seat lid (B) and 4 screws and wing nuts (C)



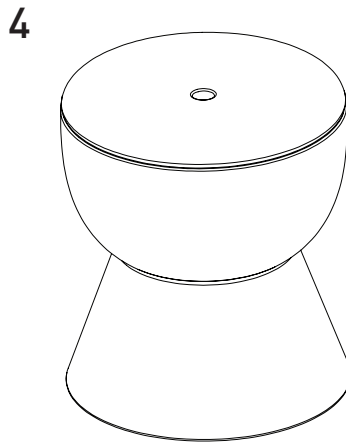
Secure Cones / Bowls using the screws and wing nuts as shown. Insert the screws from the shape / side that will be the seat top.



The screws can be hand tightened using the wing nuts. For additional security use a 3/32" hex key to tighten the screws.

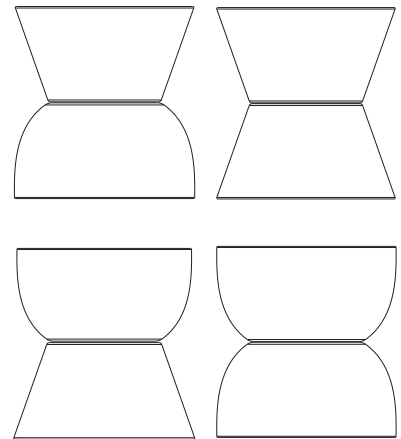


For easier assembly place the parts on a soft surface horizontally or use the edge of a table to secure the screws.



Finished! Place the seat lid on the stool and enjoy!

Variations:



MIOCULTURE.COM



All trademarks, service marks and trade names [MIO, product names and the MIO logo] are owned and registered by MIO. All content including but not limited to text, designs, graphics, photos and all other content ["Content"] is a collective work under the United States and other copyright laws and is the proprietary property of MIO. All rights reserved. ©2021 MIO01M LLC.

Still have questions?
Drop us a line or give us a call:

Email: info@mioculture.com
US Toll Free: 1-888-563-3916
International: +1 (215) 925-9359