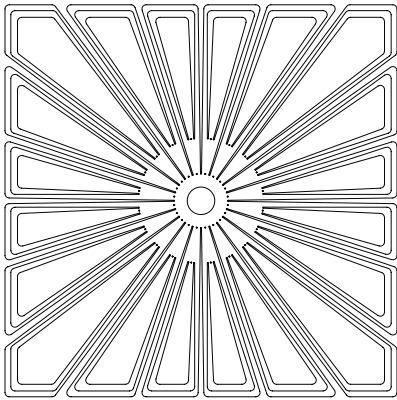




BENDANT LAMP MINI

Parts List:

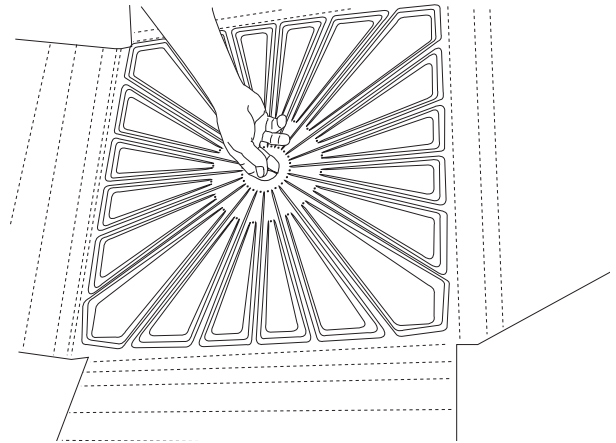


1 x Lamp Shade



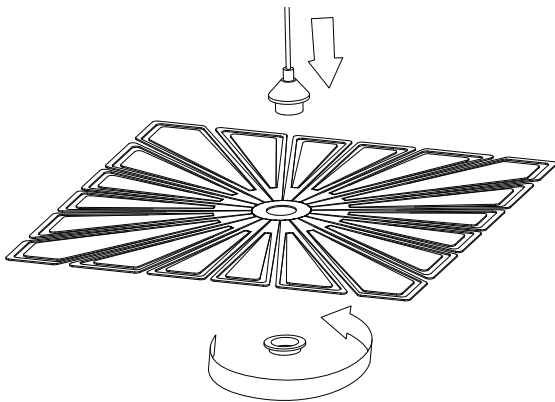
1 x Swag Set

1



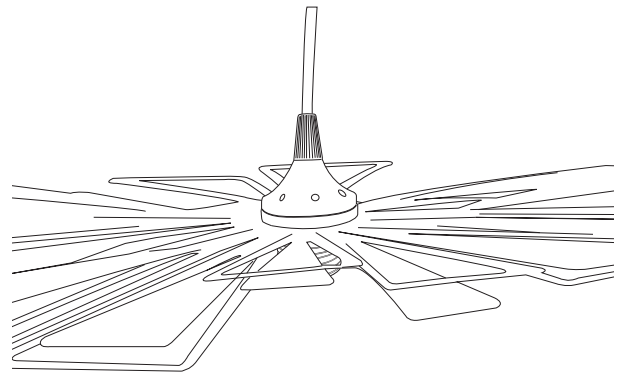
Always handle lamp from the central cut out.

2



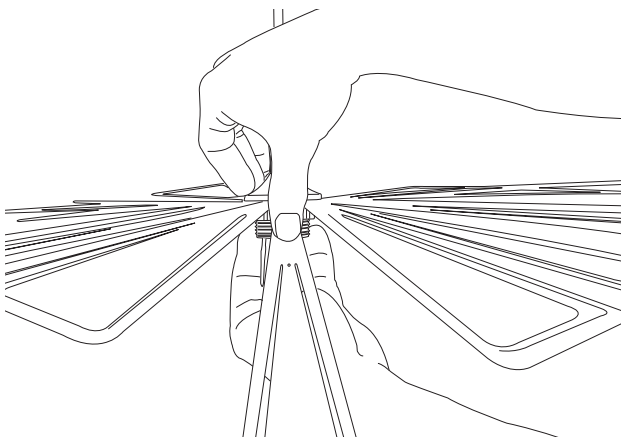
Plug in and secure cord to ceiling or hardwire swag set. Insert lamp shade into lamp holder through central cut out. Screw plastic ring into lamp holder to fasten the shade.

3



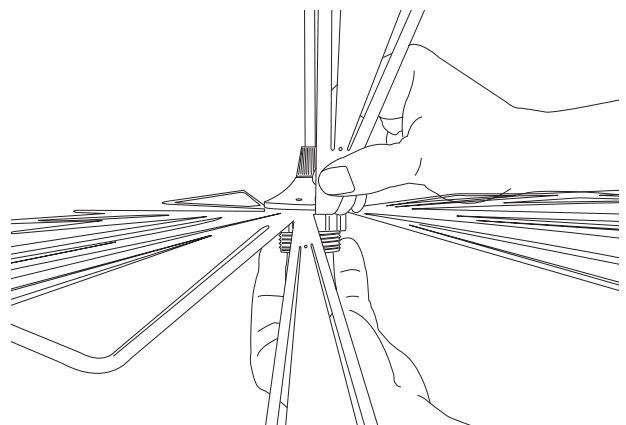
Shade will look like illustration above before the petal shades are bent.

4



Bend outer petals first by gently pushing them down with your thumb in the desired direction.

5

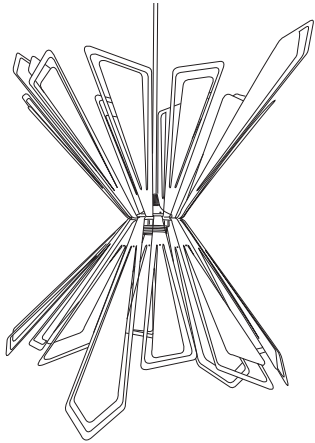


We recommend keeping compositions symmetrical to keep the lamp straight and balanced.



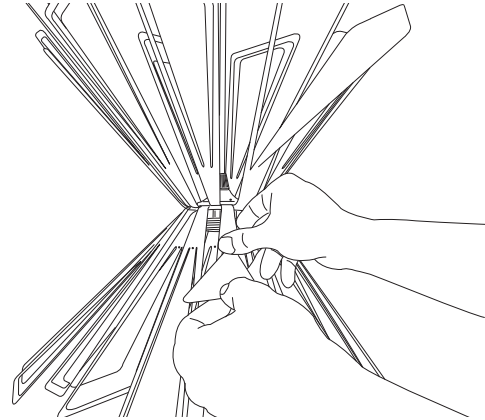
BENDANT LAMP MINI

6



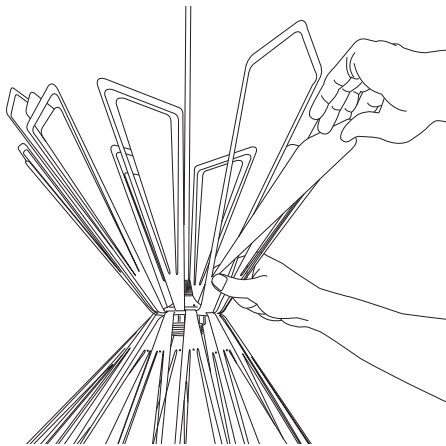
Keep bending outer petals until they are in the desired position.

7



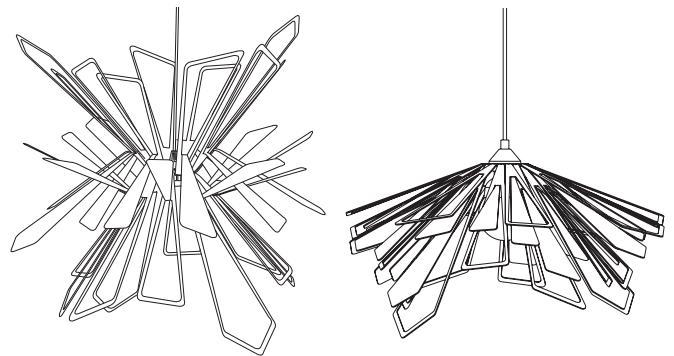
To bend inner petals, push or pull on the selected petal while holding the corresponding outer petal in place.

8



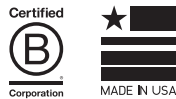
Repeat process going around the shade to keep it balanced.

9



Finished! To avoid breaking the lamp petals do not re-bend or re-adjust them more than five times.

MIOCULTURE.COM



Still have questions?
Drop us a line or give us a call:

Email: info@mioculture.com
US Toll Free: 1-888-563-3916
International: +1(215) 925-9359

All trademarks, service marks and trade names (MIO, product names and the MIO logo) are owned and registered by MIO. All content including but not limited to text, designs, graphics, photos and all other content ("Content") is a collective work under the United States and other copyright laws and is the proprietary property of MIO. All rights reserved. ©2021 MIOIM LLC