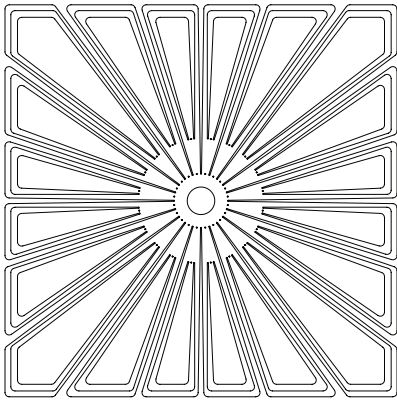


**BENDANT LAMP**

**Parts List:**

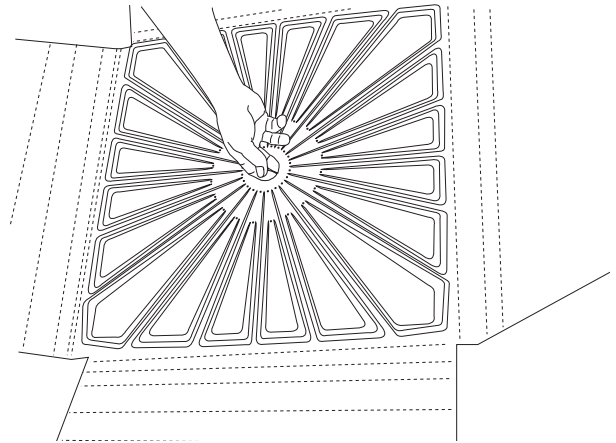


1 x Lamp Shade



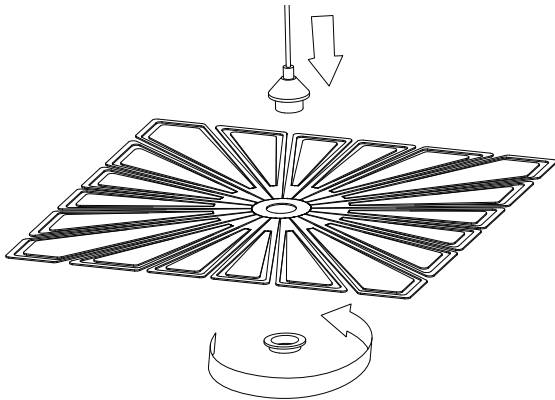
1 x Swag Set

**1**



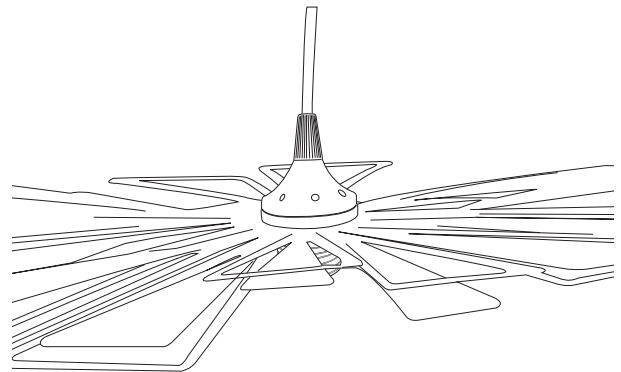
Always handle lamp from the central cut out.

**2**



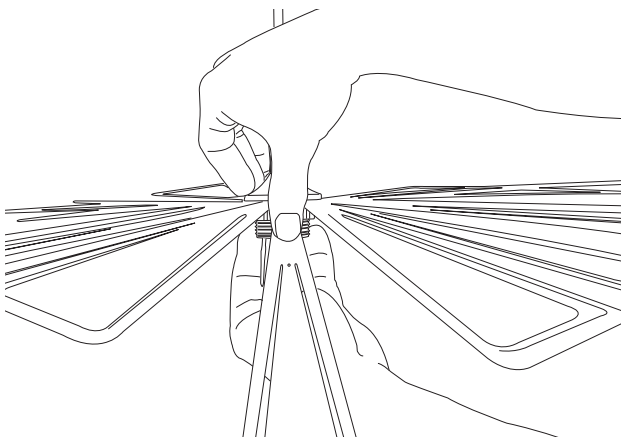
Plug in and secure cord to ceiling or hardwire swag set. Insert lamp shade into lamp holder through central cut out. Screw plastic ring into lamp holder to fasten the shade.

**3**



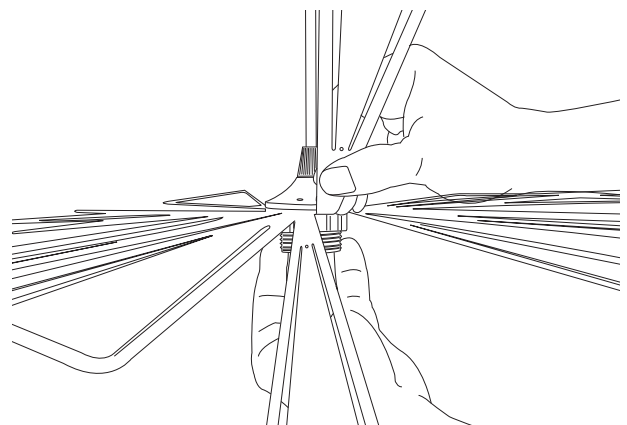
Shade will look like illustration above before the petal shades are bent.

**4**



Bend outer petals first by gently pushing them down with your thumb in the desired direction.

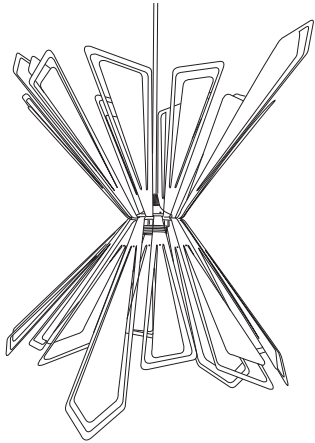
**5**



We recommend keeping compositions symmetrical to keep the lamp straight and balanced.

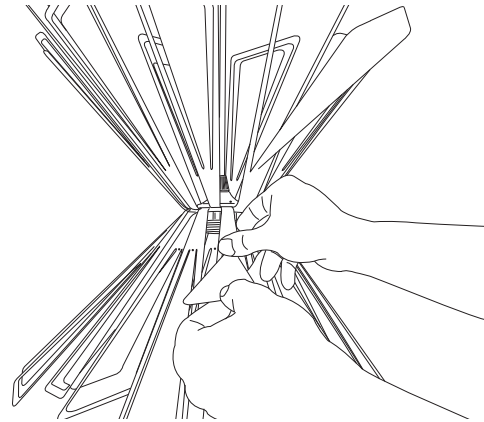
**BENDANT LAMP**

**6**



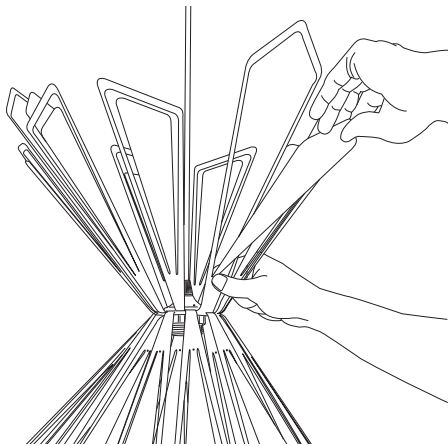
Keep bending outer petals until they are in the desired position.

**7**



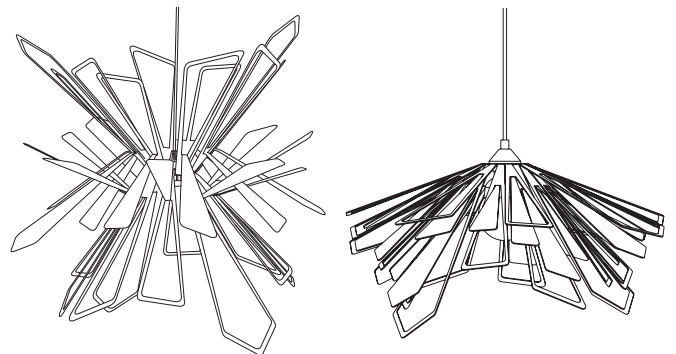
To bend inner petals, push or pull on the selected petal while holding the corresponding outer petal in place.

**8**



Repeat process going around the shade to keep it balanced.

**9**



**Finished!** To avoid breaking the lamp petals do not re-bend or re-adjust them more than five times.

[MIOCULTURE.COM](http://MIOCULTURE.COM)



Still have questions?  
Drop us a line or give us a call:

Email: [info@mioculture.com](mailto:info@mioculture.com)  
US Toll Free: 1-888-563-3916  
International: +1(215) 925-9359