



# INSTALLATION USER'S MANUAL

180° AWNING INSTALLATION / USER'S MANUAL

© Oztent Australia Pty Ltd 2019 | 1 November 2019

Except as permitted by the copyright law applicable to you, you may not reproduce or communicate any of the content on this document, without the permission of the copyright owner. The Australian Copyright Act allows certain uses of content without the copyright owner's permission. This includes uses by educational institutions and by Commonwealth and State governments, provided fair compensation is paid. For more information, see [www.copyright.com.au](http://www.copyright.com.au) and [www.copyright.org.au](http://www.copyright.org.au). The owners of copyright in the content on this document may receive compensation for the use of their content by educational institutions and governments, including from licensing schemes managed by Copyright Agency. We may change these terms of use from time to time. Check before re-using any content from this document.

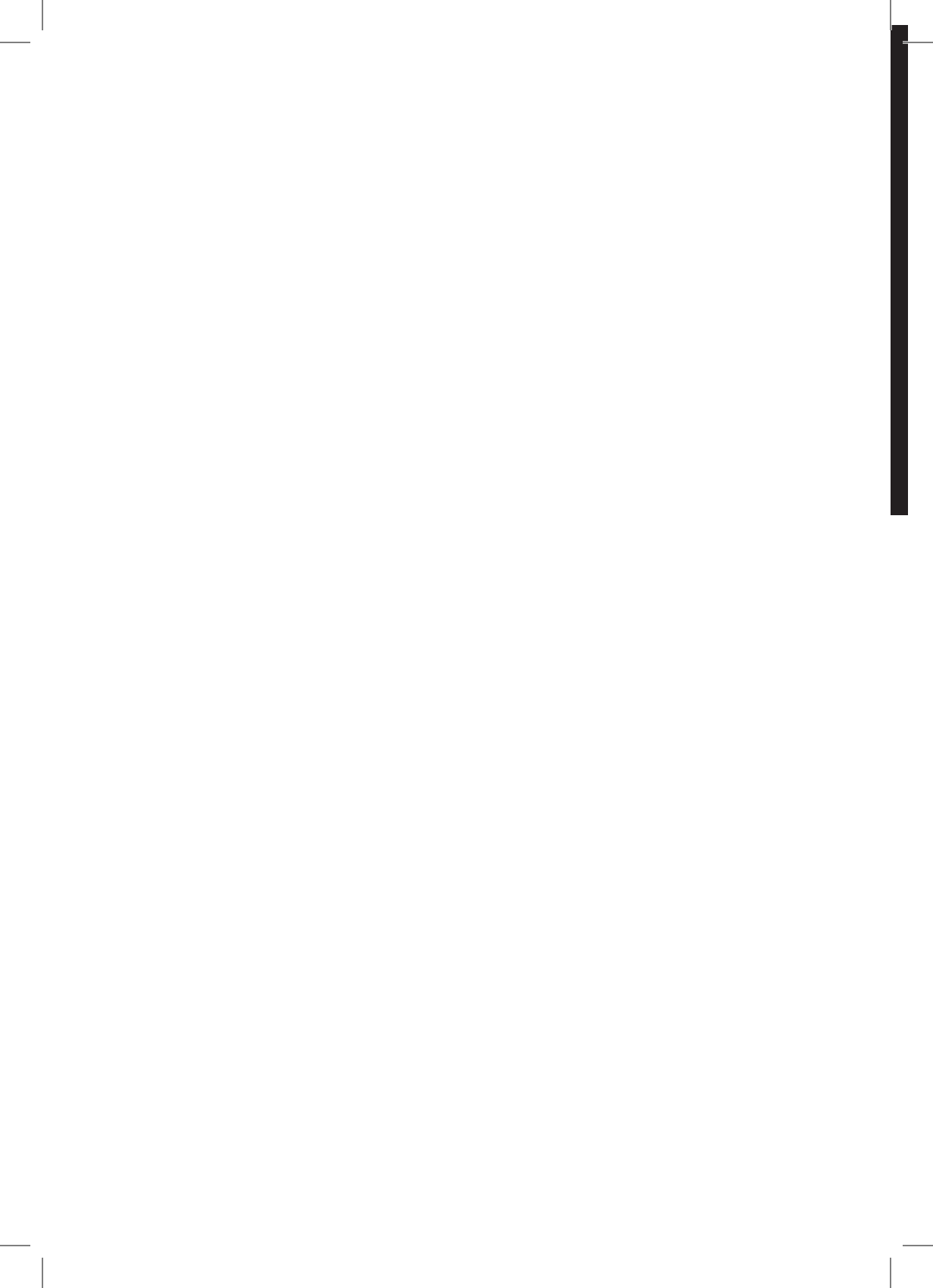
---

**Ozent Australia Pty Ltd**  
[www.oztent.com](http://www.oztent.com)

Document No. 20190830  
Prepared by: Isaac Viglione  
Authorised by: Luke Eather

Issue No. 0001  
Issue date: 1/11/2019

These instructions remain the property of Oztent Australia Pty Ltd and may not be used or changed for any other purpose than intended.



## **Congratulations and thank you for choosing the Foxwing 180° Awning.**

We are sure that you will find your new 180° Awning a pleasure to use. Before you install or use the awning, we recommend that you read through this entire manual which provides installation and user instructions.

To avoid the risks that are always present when you use any product fitted to a vehicle, it is important that the awning is installed correctly and that you read the safety instructions contained in this manual carefully to avoid misuse and hazards.

We recommend that this manual is placed and kept in the glove box of the vehicle that the awning is fitted to for future reference and for the purpose of handover to any future owners.

After unpacking the awning please check that it is not damaged and that all parts have been supplied with the kit before installation. If in doubt, do not install the awning before contacting your authorized installer.

## **Important Information**

### **Environmental Tips**

Packaging disposal

- Most of the packaging materials are recyclable. Please dispose of packaging materials through your local recycling depot or by placing them in the appropriate recycling bins.
- If you wish to discard this awning, please contact your local authorities and ask them for the correct method of disposal.

### **Cautions**

- This awning is not intended for use by young children or infirmed persons without supervision.
- Young children should be supervised so that they do not play with the awning.
- Contact an authorised installer for installation of this awning.
- Contact an authorised service technician for repair or maintenance of this awning.
- If the awning canopy needs to be replaced, replacement work must be performed by an authorised service technician only.
- Installation work must be performed in accordance with any local, state and national Standards by authorised personnel only.

## Contents

---

<b>Parts Identification</b> .....	<b>3</b>
<b>Installation</b> .....	<b>6</b>
Installation checklist.....	6
Minimum crossbar distance.....	6
Fitting instructions.....	7
<b>Operating Instructions</b> .....	<b>10</b>
Unfolding.....	10
Retraction.....	16
<b>Repair</b> .....	<b>18</b>
Replacing the spar hinge.....	18
<b>Windy Conditions</b> .....	<b>22</b>
Unfold.....	22
Retraction.....	25
<b>Storage</b> .....	<b>27</b>
<b>Care and Cleaning</b> .....	<b>27</b>
<b>Operation Tips</b> .....	<b>27</b>
<b>Warranty</b> .....	<b>28</b>

---

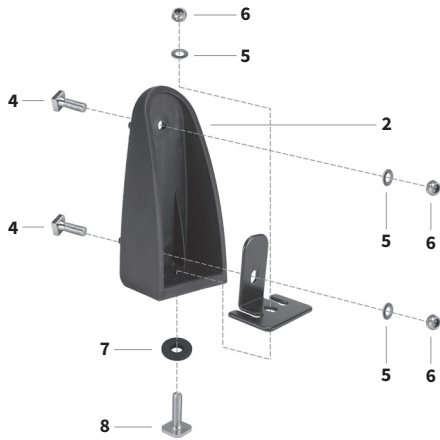
## Parts Identification

Item	General Part Name	Qty	Part No.
1	Foxwing 180° Awning (Left Hand)	1	OFW18AWLHA
1	Foxwing 180° Awning (Right Hand)	1	OFW18AWRHA
2	Crossbar Bracket	2	FOXBRACK
3	Crossbar Bracket Plate	2	FOXPLATE
4	M8 x 23mm T-Bolt	4	FOXTBOLT23
5	M8 x 17mm Flat Washer	6	FOXWO20
6	M8 Nylock Nut	6	FOXNO28
7	Sportz/Aero Crossbar Insert	2	FOXINSA
8	M8 x 25mm T-Bolt	2	FOXTBOLT25
9	M8 Spring Washer	2	FOXWO20S
10	M8 x 30mm Hex Bolt	2	FOXHDBOLT30
11	Heavy Duty Crossbar Insert	2	FOXINSH
12	M8 Channel Nut	2	FOXHDNUT
13	Telescopic Supporting Pole	3	TPOLE22FOX
14	Metal Peg (Large)	6	OZPEG
15	Metal Peg (Small)	4	FOXPEG
16	Guy Rope	8	GUYLONGJV
19	180° Tensioning Strap	1	FOXTS18

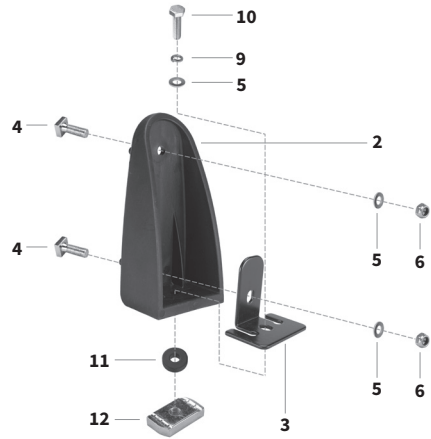
1



Note: Left hand side model displayed



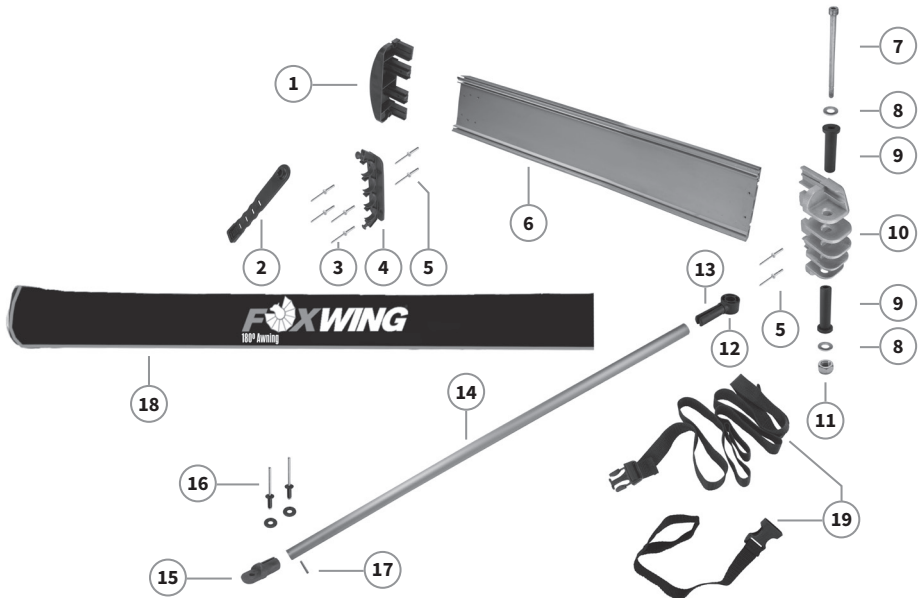
**For Sportz / Aero Crossbar**



**For Heavy Duty Crossbar**



Item	Foxwing 180° Awning Component Name	Qty	Part No.
1	End Cap	1	FOXLC
2	Rubber Strap	1	FOXRS
3	Rivet (1661 – 0613)	4	FOXH004
4	Pole Holder	1	FOXPH
5	Rivet (1661 – 0619)	4	FOXH008
6	Backing Extrusion	1	FOXCT86
7	M8 x 150mm Bolt	1	FOXCT75
8	M8 Flat Washer	2	FOXW020
9	Hinge Pin	2	FOXWINGHP
10	Spar Hinge	1	FOXSPH
11	M8 Nylock Nut	1	FOXN028
12	Spar Hinge Insert	3	FOXWINGNH
13	Spar Hinge Insert (Spares)	1	FOXWINGNH
14	Awning Spar	3	FOXWINGCANH
15	Pole End Cap	3	FOXC
16	Rivet and Washer (Black)	6	FOXRVICAP
17	Self-Tapping Screw	6	FOXCT90
18	Awning Cover (LH)	1	OFW18AWLHACOV
18	Awning Cover (RH)	1	OFW18AWRHACOV
19	180° Tension Strap	1	FOXTZ18



## Installation Checklist

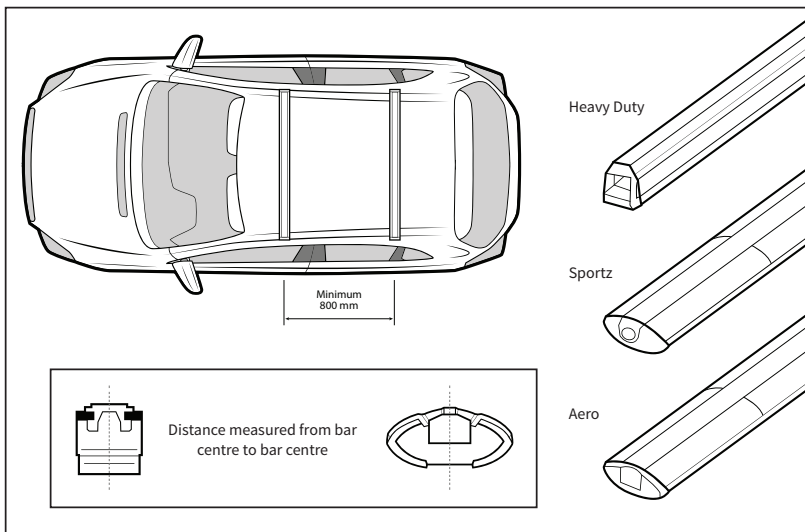
- |   |   |
|---|---|
| <input type="checkbox"/> Tape measure                         | <input type="checkbox"/> Installation/User's Manual   |
| <input type="checkbox"/> 13mm spanner                         | <input type="checkbox"/> Suitably illuminated, clean, dry workspace that is out of the wind |
| <input type="checkbox"/> Knife                                | <input type="checkbox"/> Clean vehicles roof racks prior to installation                    |
| <input type="checkbox"/> Step Ladder (Optional)               |   |
| <input type="checkbox"/> Padded panel guard or rug (Optional) |   |

## Repair Checklist (in addition to above)

- Phillips tip screwdriver (Optional – Only required for tightening Self Tapping Screws)
- 6mm Allen key (Optional – Only required for tightening Spar Hinge Bolt)

### Minimum Crossbar Distance

- The minimum distance between centres of the Roof Rack for mounting of the awning is 800mm

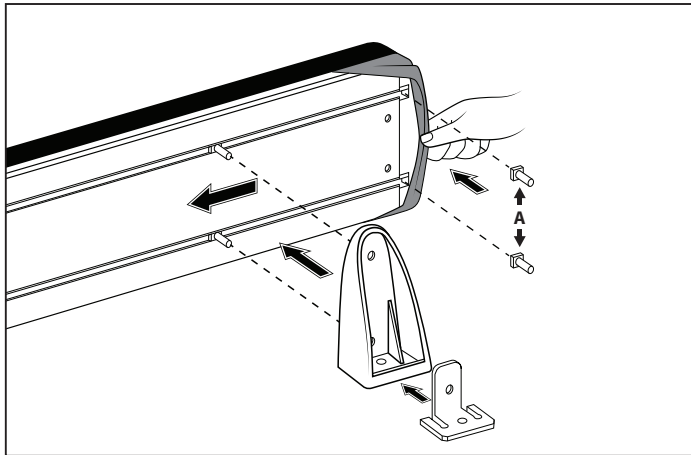




## Fitting Instructions

1. Insert the four (4) M8 x 23mm T-Bolts onto the Backing Extrusion as shown in Item A of Diagram 1
  - 1.1 Ensure that you don't drop the T-Bolts into the Backing Extrusion
  - 1.2 Position T-Bolts, Crossbar Bracket and Crossbar Bracket Plate as shown in Diagram 1

**Diagram 1**



2. Mount the two (2) Crossbar Brackets to the Backing Extrusion using four (4) M8 x 17mm Flat Washer and four (4) M8 Nylock Nut as shown in Diagrams 2A or 2B (as applicable)
  - 2.1 Secure the two (2) Crossbar Bracket Plates to the two (2) Crossbar Brackets as shown in Diagrams 2A or 2B (as applicable)

**2A**



**For Sportz / Aero Crossbar**

**2B**



**For Heavy Duty Crossbar**

3. Do not fully tighten the six (6) nuts and bolts at this stage

3A

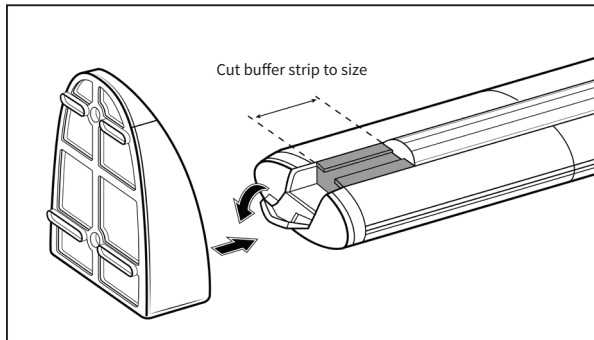


3B

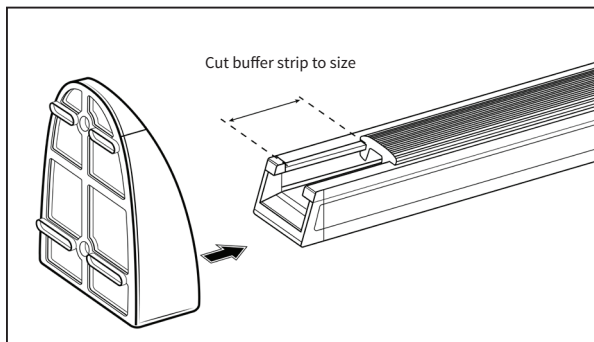


4. Using a knife cut the rubber buffer strips on the left-hand side of each roof rack to size, as shown in Diagrams 4A or 4B (as applicable)

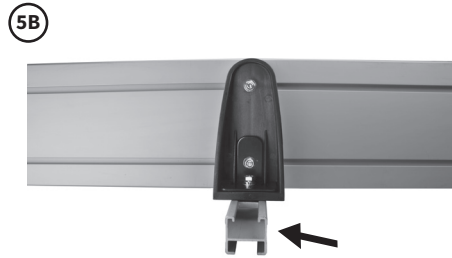
4A



4B



5. Adjust the position of the Crossbar Bracket and assembly to suit the Roof Racks on the vehicle as shown in Diagrams 5A or 5B (as applicable)



**Channel nut must sit across the bar when tightened**

6. Adjust the position of the awning, paying careful attention to keep the rear overhangs to a minimum
  - 6.1 Make sure that there is adequate space to swing open the awning and that any overhang does not obstruct the rear tail gate or hatch

7. Tighten all nuts when completed as shown in Diagrams 7A or 7B (as applicable)
  - 7.1 Ensure that the awning is secure and not interfering with the vehicle's normal operation
  - 7.2 Ensure that the Roof Racks are secure and not interfering with the vehicle's normal operation



## Operating Instructions

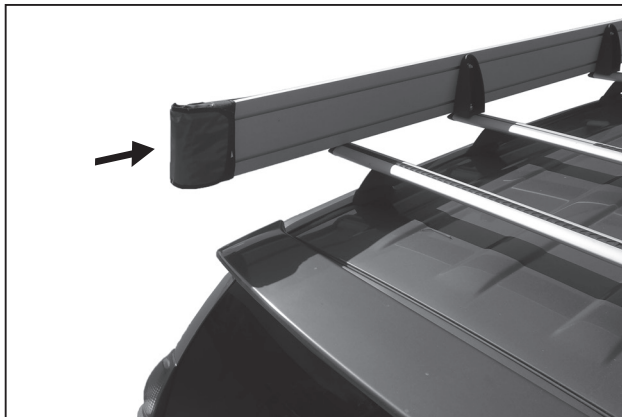
### Unfolding

1. Park the vehicle (ensuring that the handbrake is applied) in a suitable location and ensure that the awning when fully extended will not interfere with the flow of traffic
  - 1.1 If the awning is to be extended in windy conditions, it is recommended that a second person assists in setting-up the awning
  - 1.2 Do not extend the awning in strong winds or a gale or during heavy rain as it could damage the awning and/or the vehicle and cause accident or injury

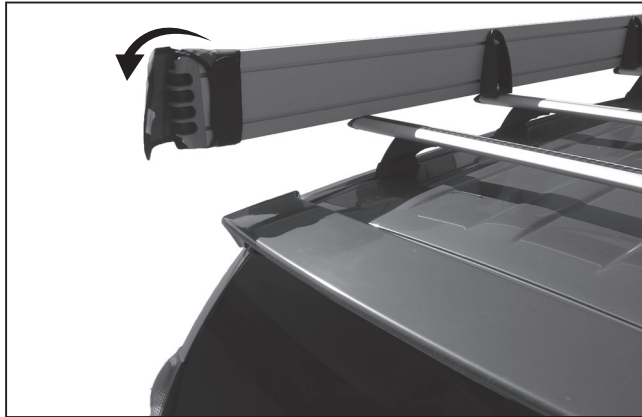


2. From the rear of the vehicle reach behind the awning cover, refer to Diagram 2

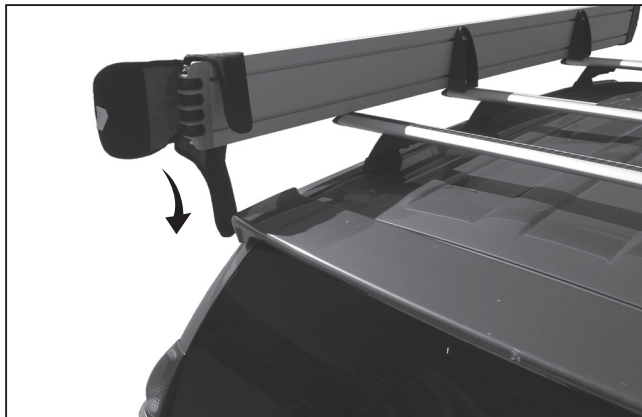
**Diagram 2**



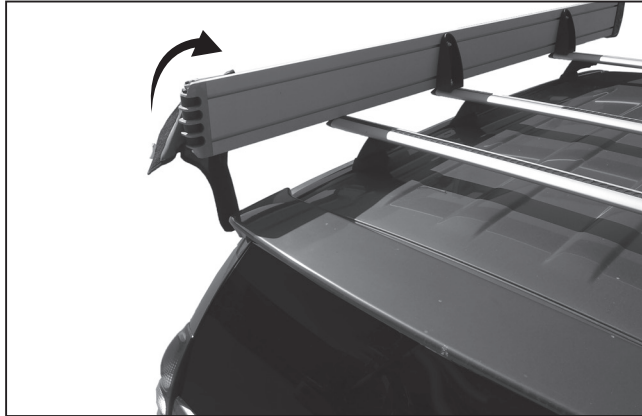
3. Locate the large outer Velcro flap and lift it out towards the rear of the awning, refer to Diagram 3

**Diagram 3**

- 
4. Locate the top of the smaller inner Velcro flap and lift it out and down towards the vehicle, refer to Diagram 4

**Diagram 4**

5. Locate the remaining Velcro strap at the top of the awning cover and fold it up and away from the awning, refer to Diagram 5

**Diagram 5**

- 
6. From the rear of the vehicle unzip the awning cover all the way to the front of the vehicle, refer to Diagram 6
    - 6.1 Unclip the pole bag and the guy rope/pegs bag and set aside for later use

**Diagram 6**

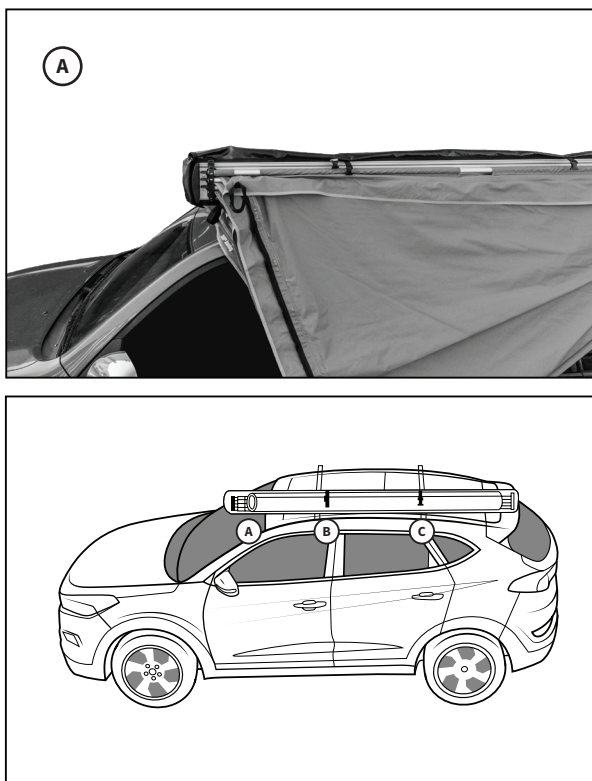
7. Fold the awning cover over the awning Backing Extrusion, refer to Diagram 7
  - 7.1 Ensure that the awning cover is well clear of the hinged area of the awning

**Diagram 7**



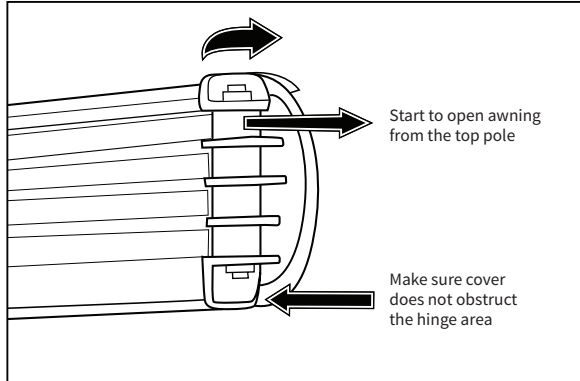
8. Unhook the black rubber strap holding the spars in place, refer to item A of Diagram 8
  - 8.1 Release the two (2) black plastic retaining clips as shown in items B and C of Diagram 8

**Diagram 8**



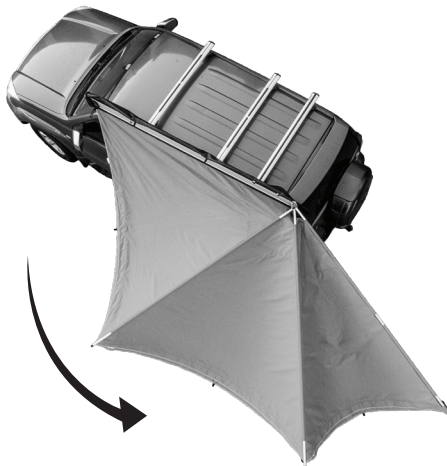
9. Commence to open the awning beginning with the top Awning Spar then each Awning Spar in order from top to bottom, refer to Diagram 9
  - 9.1 Ensure that the Drain Panel is set towards the rear of the vehicle

**Diagram 9**



10. Unfold the awning towards the rear of the vehicle ensuring not to catch the material on any poles or structures

**Important Note:** If there is any possibility of a prevailing wind it is recommended that each segment of the awning is poled and pegged-out as it is opened to prevent any possible damage to the awning, refer to instructions on pages 22 to 26





11. Attach the Tensioning Strap by looping the male clip Tensioning Strap around the nearest cross bar of the Roof Rack and looping the female socket Tensioning Strap around the end of the awning. Refer to Diagram 11

**Diagram 11**

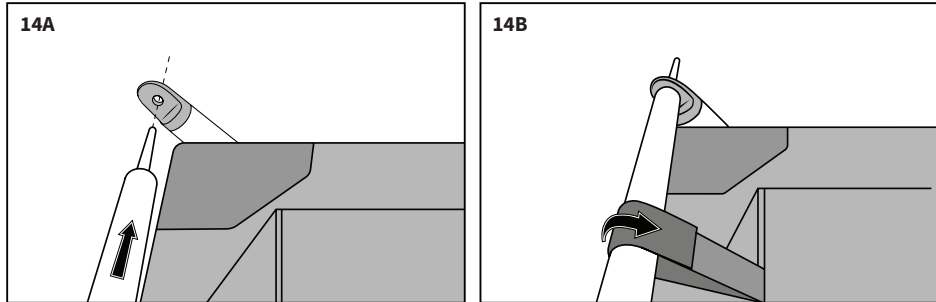
- 
12. Secure the awning by clipping the male clip into the female socket
- 

13. Pull the tail of the tensioning strap to tension as required to maintain the correct shape of the awning, refer to Diagram 13

**Diagram 13**

14. Insert the Telescopic Support Poles into each Awning Pole, refer to Diagram 14A

14.1 Secure each Awning Pole to the awning using the fitted Velcro straps, refer to Diagram 14B



15. In calm dry weather secure the awning using the Metal Pegs and Guy Ropes provided

15.1 Secure the drain panel located near the centre of the awning using the two (2) Metal Pegs provided

16. In unsettled or wet weather secure the awning using the Metal Pegs and Guy Ropes provided

16.1 Slightly shorten the Telescopic Support Poles to take the tension off the awning

16.2 Secure the awning using the extra Metal Pegs and Guy Ropes provided to form a channel in the awning to allow water to run-off

## Retraction

17. Loosen and remove Guy Ropes, remove Metal Pegs, remove Telescopic Support Poles and undo and remove tensioning straps

17.1 Store Guy Ropes, Metal Pegs, Telescopic Support Poles and tensioning straps in the applicable carry bag

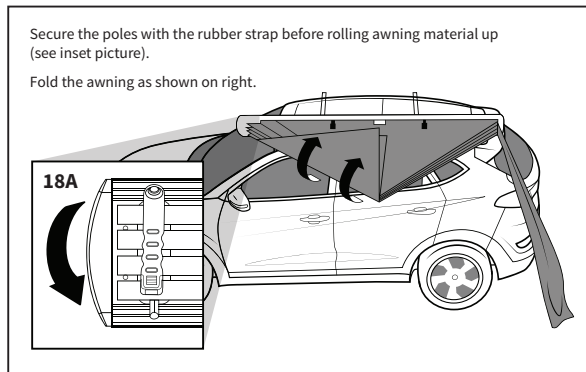
**Important Note:** If there is any possibility of a prevailing wind it is recommended that each segment of the awning is de-pegged and de-poled as the awning is closed to prevent any possible damage to the awning

18. Swing the Awning Poles (rear to front) so that they recess into the Backing Extrusion

18.1 Secure the Awning Poles using the Rubber Strap prior to folding the awning material, refer to Diagram 18A

18.2 Fold the awning material, refer to Diagram 18

**Diagram 18**



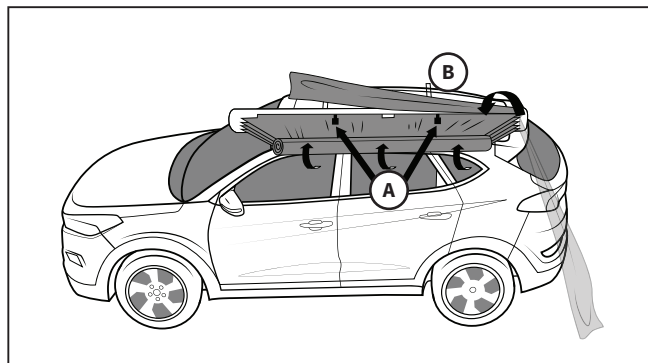
19. Neatly roll the awning up towards the Backing Extrusion until you see the two (2) corresponding black plastic retaining clips and clip into place, refer to Item A in Diagram 19

19.1 Fold and neatly extend the Drain Panel (B) onto the top of the awning releasing the retaining clips (A) one at a time to position the Drain Panel under the retaining clip straps, refer to Item B in Diagram 19

19.2 Tensioning the awning by pulling the tails of the retaining clip straps

19.3 Clip the pole bag and the guy rope/peg bag into the associated retaining clips inside the awning cover (if applicable) or store in the vehicle for later use

**Diagram 19**



20. Fold the awning cover over the top of the Backing Extrusion ensuring that any loose material does not protrude beyond the awning cover
  - 20.1 Zip the awning cover from the front of the vehicle to the rear ensuring that any loose material is pushed away from the zipper before zipping the awning cover closed, refer to Diagram 20
  - 20.2 Secure the awning cover Velcro flaps in the reverse order to that as shown in Sections 2 – 4 of this instruction, refer to Diagram 20

**Important Note:** To prevent damage to the awning material never force the zipper closed over any exposed awning material, always ensure that the zipper has a clear and unobstructed path

**Diagram 20**



## Repair

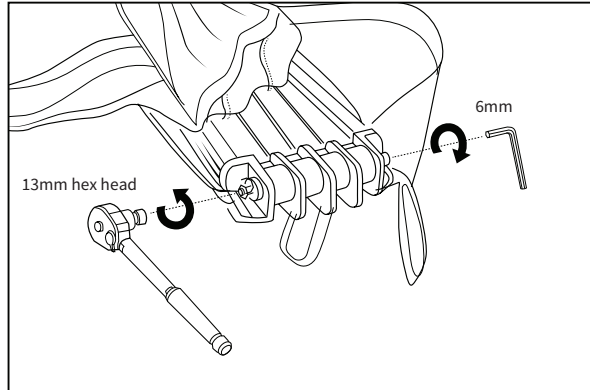
Replacing the spar hinge

1. In the remote case that the awning Spar Hinge becomes worn or damaged it can be replaced by using a new Spar Hinge Insert. Note that there is a spare Spar Hinge Insert located at the bottom of the hinge assembly.
  - 1.1 Open the awning cover and expose the Spar Hinge, refer to Diagram 1

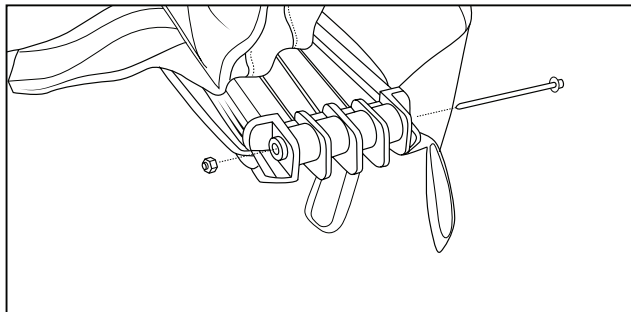
**Diagram 1**



- Using a 13mm spanner and a 6mm Allen key undo the bolt on the Spar Hinge, refer to Diagram 2

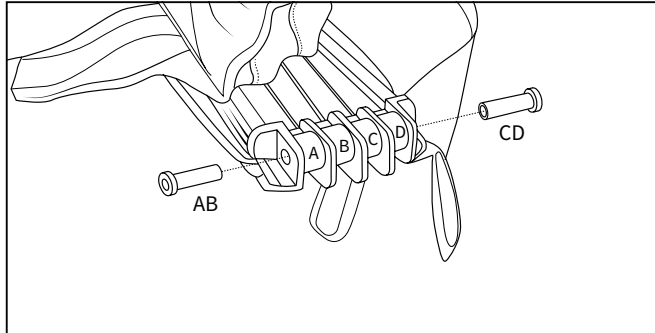
**Diagram 2**

- Remove the bolt, nut and washer's assembly (and retain) as shown, refer to Diagram 3

**Diagram 3**

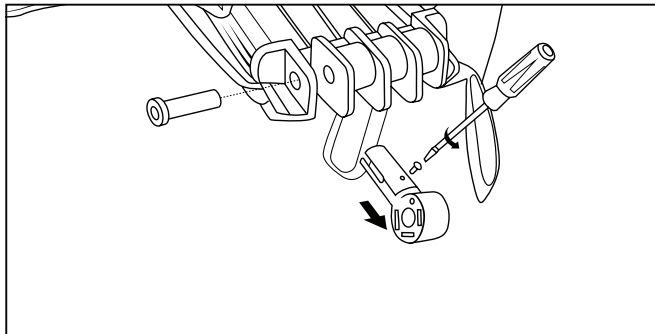
- 3.1 Remove the Hinge Pins (and retain), refer to Diagram 4. Remove the spare Spar Hinge Insert (if available).

**Diagram 4**

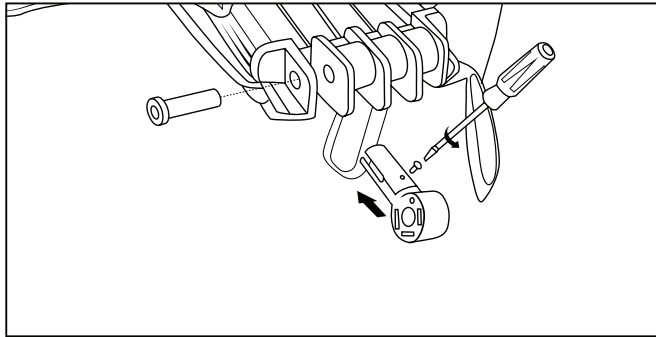


- 
4. Using a Phillips tip screwdriver unscrew (and retain) the self-tapping screw that secures the Spar Hinge to the Awning Pole and remove the defective Spar Hinge Insert, refer to Diagram 5

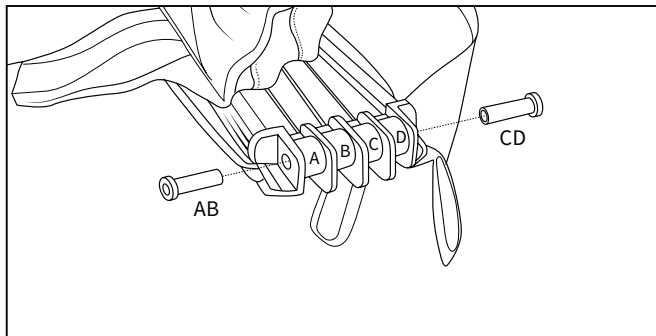
**Diagram 5**



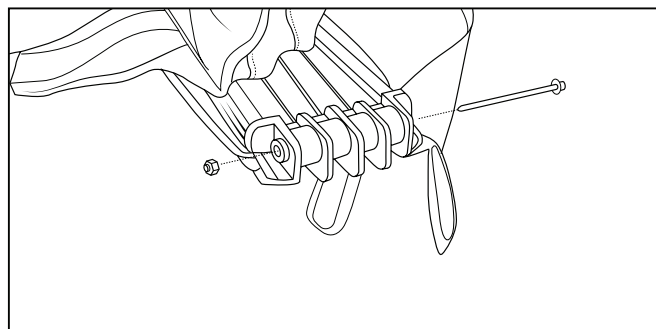
5. Insert replacement Spar Hinge Insert into Awning Pole and secure using the previously removed self-tapping screw, refer to Diagram 6

**Diagram 6**

6. Reinsert associated Hinge Pin into Spar Hinge, refer to Diagram 7

**Diagram 7**

7. Reinsert the bolt, nut and washer's assembly and tighten, refer to Diagram 8

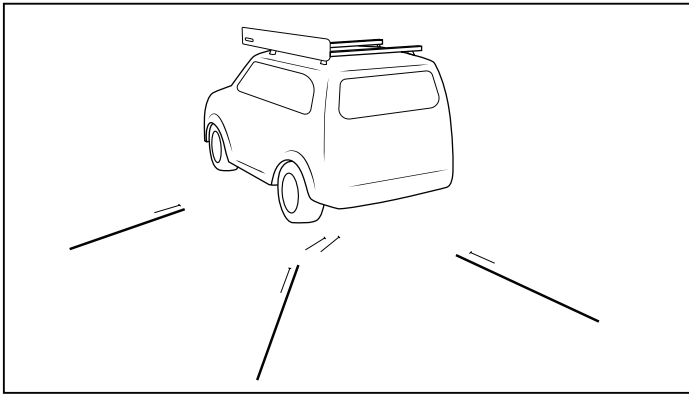
**Diagram 8**

## Unfolding (Windy Conditions)

1. Should it be necessary to extend the awning in windy conditions, the following procedure should be followed in conjunction with the previously mentioned Operating Instructions, refer to Diagram 1
  - 1.1 It is recommended that if the awning is to be extended in windy conditions that a second person is used to assist in this purpose
  - 1.2 Position the Telescopic Support Poles, Guy Ropes and Metal Pegs near their corresponding final position

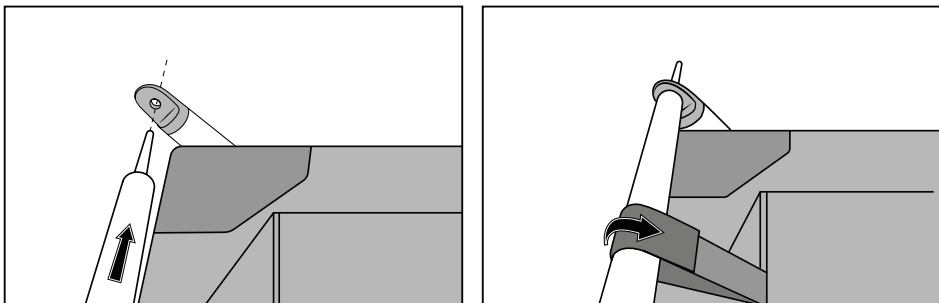
**Important Note:** To prevent damage to the awning it must not be extended in severe weather conditions, failure to observe any or all instructions contained in this manual may void warranty

**Diagram 1**



2. Extend the first segment of the awning only, and while this segment is being held in place by a second person secure the awning with a Telescopic Support Pole, Guy Rope and Metal Peg, refer to Diagram 2
  - 2.1 Secure the Telescopic Support Pole to the awning using the Velcro strap
  - 2.2 Extend the Drain Panel

**Diagram 2**





3. Repeat Instruction 2 for the remaining awning segments, one segment at a time, securing each segment one at a time with a Telescopic Support Pole, Guy Rope and Metal Peg, refer to Diagrams 3, 4 and 5

**Diagram 3**

4. As per Instruction 3, refer to Diagram 4

**Diagram 4**

5. Attach the Tensioning Strap by looping the male clip Tensioning Strap around the nearest cross bar of the Roof Rack and looping the female socket Tensioning Strap around the end of the awning, refer to Diagram 5

**Diagram 5**

- 
6. Secure the awning by clipping the male clip into the female socket
- 

7. Pull the tail of the Tensioning Strap to tension as required to maintain the correct shape of the awning.
-

**Retraction (Windy Conditions)**

1. Should it be necessary to retract the awning in windy conditions, the following procedure should be followed in conjunction with the previously mentioned Operating Instructions, refer to Diagram 1
  - 1.1 It is recommended that if the awning it to be retracted in windy conditions that a second person is used to assist in this purpose
  - 1.2 Undo the Tensioning Strap and set the strap aside for later storage

**Diagram 1**

- 
2. Retract the last segment of the awning only, and while this segment is being held in place by a second person remove the associated Telescopic Support Pole, Guy Rope and Metal Peg, refer to Diagram 2
    - 2.1 Remove the Telescopic Support Pole to the awning and release the Velcro strap, refer to Diagram 2
    - 2.2 Remove the two (2) Metal Pegs securing the Drain Panel

**Diagram 2**

3. Repeat Instruction 2 for the remaining awning segments, one segment at a time, retracting each segment one at a time and removing the associated Telescopic Support Pole, Guy Rope and Metal Peg, refer to Diagrams 3 and 4

**Diagram 3**



4. As per Instruction 3, refer to Diagram 4
  - 4.1 Make sure to collect all Telescopic Support Poles, Guy Ropes and Metal Pegs and place them in their individual storage bags for future use
  - 4.2 Refer to previously mentioned Operation Instructions for further information

**Diagram 4**



## Storage

1. Do not store the awning when it is wet
2. Do not store the awning in a wet or humid environment
3. Do not store the awning where it may be subject to damage or abuse
4. Do not store the awning where it may be exposed to insects or vermin
5. Do not store the awning where it may be exposed to excessive heat or fire
6. Do not store the awning where it may be exposed to chemicals
7. Do not store the awning with or near food scraps

## Care and cleaning

1. Should it be necessary to pack the awning when it is wet, it must be extended and allowed to dry as soon as practicable
2. Ensure that the awning is fully extended and dried before storing
3. Clean the awning using a damp sponge
4. Do not use detergent or chemicals to clean the awning
5. Do not take the awning through an automatic car wash
6. Never place heavy objects on the awning
7. Never use an open fire under or near the awning
8. Never hang fuel lanterns from the awning
9. Regularly lubricate the Spar Hinge with a silicon based lubricant such as Mr Sheen

## Operation tips

1. After installation and driving the vehicle for a short distance all bolts must be re-tensioned
2. All bolt tensions should be checked at regular intervals (Once a week subject to vehicle usage, road conditions and awning usage)
3. The tensions of the Roof Rack that the awning is fitted to should also be checked at regular intervals
4. Telescopic Support Poles, Guy Ropes and Metal Pegs must always be used when the awning is extended
5. The awning wingspan is approximately 180° ±5° subject to production and/or materials variations
6. Do not use stretchable fastening ropes or straps on the awning
7. After installing the awning, the vehicles Roof Rack load carrying capacity will be reduced due to the additional weight. The combined weight of the awning and two (2) crossbars is approximately 19kg accordingly, when the vehicle is to be used in off-road conditions it is necessary to build-in a safety margin of 1.5 for this combined load i.e. 19kg x 1.5 = 28.5kg. The Roof Racks load carrying capacity should be reduced by this safety margin.

# Warranty

**FOR SALES IN AUSTRALIA USA AND INTERNATIONAL MARKETS. TENTS, FURNITURE AND ACCESSORIES: [OZTENT, MALAMOO, AND FOXWING]**

This document sets out the terms and conditions of product warranties for Oztent, Malamoo, JetTent and Foxwing branded products. It is an important document. Please keep it with your proof of purchase documents in a safe place for future reference should you require service for your Oztent, Malamoo, JetTent or Foxwing branded product.

**General Terms and Conditions**

1. In this warranty
  - (a) 'Oztent' means Oztent Australia Pty Limited ABN 19 050 035 964 in respect of products purchased in Australia, USA and International markets;
  - (b) 'Product' means any Oztent product purchased by you accompanied by this document;
  - (c) 'Warranty Period' means
    - (i) where you use the Product for personal, domestic or household purposes in Australia the period of '12' months and in USA and International markets the period of '12' months;
    - (ii) for Tents and Tent Accessories used for personal, domestic or household purposes (e.g. Peaked Side Panel) the period of '24' months;
    - (iii) for Furniture (e.g. Chairs) and Furniture Accessories used for personal, domestic or household purposes the period of '60' months; following the date of original purchase of the Product;
  - (d) 'you' means the purchaser of the Product not having purchased the appliance for re-sale, and 'your' has a corresponding meaning.
2. This warranty only applies to Products purchased and used in Australia, USA or International markets and is in addition to (and does not exclude, restrict, or modify in any way) any non-excludable statutory warranties in Australia, USA or International markets.
3. Oztent warrants that, when dispatched from an Oztent warehouse, the Product is free from defects in materials and workmanship for the Warranty Period.
4. During the Warranty Period Oztent or its Authorised Service Centre will, at no extra charge if your product is readily accessible without special equipment, and subject to these terms and conditions, repair or replace any parts which it considers to be defective. You agree that any replaced Product or parts become the property of Oztent. This warranty does not apply to guy ropes, tent pegs, or similar perishable parts.
5. Parts and Products not supplied by Oztent are not covered by this warranty.
6. Where you are within an Oztent service area, this warranty covers the cost of transport of the Product only to and from Authorised Service Centres of Oztent ("ASC") and travelling costs for representatives of the ASC to and from your home or business. If you are outside an Oztent service area, or you are claiming for an accessory you will bear these costs. For information about whether you are within an Oztent service area, or information on your nearest ASC please phone 1800 OZTENT or 1800 698368 in Australia, +8555 OZTENT or +855 569 8368 in the USA or +61 2 8706 5100 in International markets.
7. Proof of purchase is required before you can make a claim under this warranty.
8. You may not make a claim under this warranty unless the defect claimed is due to faulty or defective parts or workmanship. Oztent is not liable in the following situations (which are not exhaustive):
  - (a) The Product is damaged by:
    - (i) accident
    - (ii) misuse or abuse, including failure to properly maintain or service
    - (iii) normal wear and tear
    - (iv) storm damage or improper storage
    - (v) incomplete or improper installation
    - (vi) incorrect, improper or inappropriate operation
    - (vii) insect or vermin infestation.
  - (b) The Product is modified without authority from Oztent in writing.
  - (c) The Products model number, serial number or warranty seal has been removed or defaced.

- (d) The Product was serviced or repaired by anyone other than Oztent or its Authorised Service Centres.
9. This warranty, the contract to which it relates and the relationship between you and Oztent are governed by the law applicable in the Australian State where the Product was purchased or the law applicable in the USA or International markets if the Product was purchased in the USA or International markets. Where the Product was purchased in the USA or International markets for business purposes the Consumer Guarantee Act does not apply.

**Limitation of Liability**

10. To the extent permitted by law:
  - (a) Oztent excludes all warranties other than as contained in this document;
  - (b) Oztent shall not be liable for any loss or damage whether direct or indirect consequential arising from your purchase, use or non-use of the Product.
11. Provisions of the Trade Practices Act and State consumer legislation in Australia, and the Consumer Guarantees Act, the Sale of Goods Act and the Fair Trading Act in New Zealand or any Act or State consumer legislation in the USA or International markets, imply warranties or conditions, or impose obligations, upon Oztent which cannot be excluded, restricted or modified. To the extent permitted by law, the liability of Oztent (if any) arising out of or in relation to the Product or any services supplied by Oztent shall be limited (where it is fair and reasonable to do so);
  - (a) in the case of Products, at its option, to the replacement or repair of the Product or the supply of equivalent products or the payment of the cost of replacing the Product or having the Product repaired or of acquiring equivalent Product. Upon being replaced, parts and Products become the property of Oztent; or
  - (b) in the case of services, at its option, to the supply of the services again or the payment of the cost of having the services re-supplied; and in the case of Products or services supplied in the USA or International markets, loss or damage whether direct or indirect or consequential that is reasonably foreseeable.

**Privacy**

You acknowledge that if you make a warranty claim it will be necessary for Oztent and its Authorised Service Centres to exchange information in relation to you to enable Oztent to meet its obligations under this warranty.

**Important Notice**

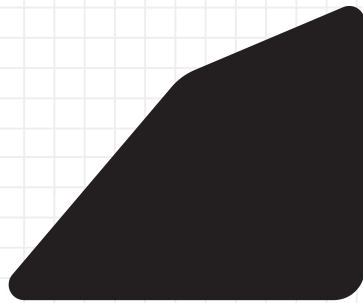
Before calling for service please check carefully the owner's manual, use and care instructions and the warranty terms and conditions.

<p><b>AUSTRALIA</b>  <a href="http://www.oztent.com.au">www.oztent.com.au</a>                      Ph: (02) 8706 5100                      Toll Free: 1800 OZTENT (698368)                      Product Registration:  <a href="http://www.oztent.com.au/product-rego">www.oztent.com.au/product-rego</a></p>
<p><b>USA</b>  <a href="http://www.oztent.com/us">www.oztent.com/us</a>                      Ph: +8555 OZTENT (698 368)                      Product Registration:  <a href="http://www.oztent.com/product-rego">www.oztent.com/product-rego</a></p>
<p><b>INTERNATIONAL</b>  <a href="http://www.oztent.com">www.oztent.com</a> (Select country code INT)                      Ph: +61 2 8706 5100</p>

**Product Registration**

To assist in validating warranty, we kindly ask that you register your product purchase online with Oztent in your country of origin or alternatively complete the warranty card provided with your product (if applicable) and return it to Oztent care of the nominated address.





***OZTENT***<sup>®</sup>

**[www.oztent.com](http://www.oztent.com)**

---

**AUSTRALIA**

**[www.oztent.com.au](http://www.oztent.com.au)**

Ph: 02 8706 5100  
Toll Free: 1800 OZTENT  
or 1800 698 368

**USA**

**[www.oztent.com/us](http://www.oztent.com/us)**

Ph: +8555 OZTENT  
or +855 569 8368

**INTERNATIONAL**

**[www.oztent.com](http://www.oztent.com)**

Ph: +61 2 8706 5100