



## OREGON MYRTLE COUNTERTOP- PLANK

### TECHNICAL INFORMATION



**CNMOP**



**Myrtle Plank Installed**

#### DIMENSIONS

- 1-1/4" x W x L
- Made to order up to 3' x 8' (longer lengths available)
- Curving and shaping available upon request.

#### MATERIAL

- Plank style wood pieces are built with the edge grain facing up in parallel strips vary in width depending on availability (typically 4" to 6").
- Myrtle is a Pacific Northwest wood, has a color range from blonde to golden brown. Sometimes it has darker mineral staining in black or dark brown. And occasionally shows curl and or burl figure.
- Janka hardness scale 1270

#### SURFACE

- Finish top and side surface is hand sanded to 150 grit with bottom sanded with machine to smooth finish.
- Straight edges with 1/8" ease on top edge.

#### RECLAIMED MARKS

- None

#### FINISHES, ADHESIVES AND FILLERS

- CNMOP-104 Clear Waterborne Top Coat VOC: 23 g/l
- CNMOP-200 Clear OSMO Polyx Oil Top Coat VOC: <270 g/l
- Adhesives used in the fabrication process have been rated by the FDA to be non-toxic and food safe.
- Fillers – We use very little epoxy or wood filler in comparison with the overall volume of our products. However, sometimes it is necessary to use either a two-part epoxy or a wood filler to fill cracks, nail holes and other small deficiencies in the wood.





# Windfall Lumber

## WINDFALL LUMBER FSC CHAIN OF CUSTODY

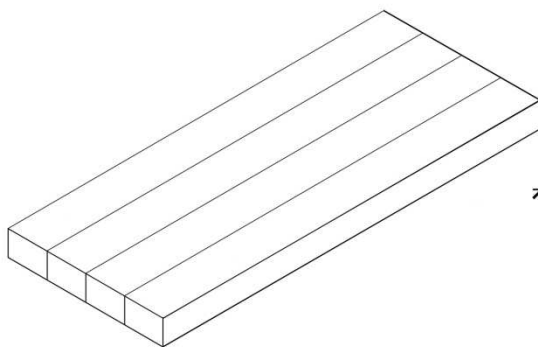
### Non-Certified

- All of our lumber has a story. We select the wood for its character, color and integrity. However some of our wood does not meet the FSC certified standards. If you want further information on this particular product, we are happy to tell you more about it.

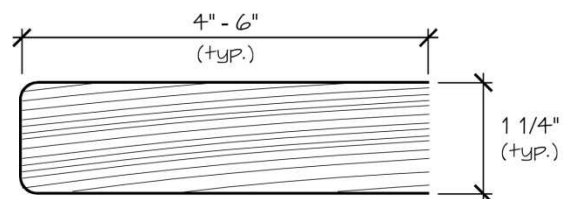
## POTENTIAL LEED CREDITS

- Materials & Resources 3: Materials Reuse
- Materials & Resources 4: Recycled Content
- Materials & Resources Credit 5: Regional Materials (within 500 miles of Tumwater, WA)
- Materials & Resources Credit 7: Certified Wood
- Indoor Environmental Quality Credit 4.1: Low-emitting Materials – Adhesives
- Indoor Environmental Quality Credit 4.2: Low-emitting Materials – Paints & Coatings

See Windfall Lumber Countertop Care & Installation and Product Warranty documents from our website for further information.



PRODUCT DIAGRAM



CRITICAL DIMENSIONS  
(Do not scale)



Windfall Lumber

711 Tumwater Blvd SW, Suite D  
Tumwater, WA 98501



FOR MORE INFORMATION:

[www.windfalllumber.com](http://www.windfalllumber.com)  
[info@windfalllumber.com](mailto:info@windfalllumber.com)  
(360) 352-2250