



DOUGLAS FIR COUNTERTOP- PLANK



CNFDP Clear

TECHNICAL INFORMATION

DIMENSIONS

- 2" x W x L
- Made to order up to 3' x 8' (longer lengths available).
- Curving and shaping available upon request.

MATERIAL

- Plank style wood pieces are built with the edge grain facing up in parallel strips varying widths depending on availability (typically 4" to 6").
- Reclaimed Douglas Fir colors vary from light rosy pinks, yellow-browns to dark amber reds and is set off by its remarkably straight, handsome grain.
- Janka hardness scale 710

SURFACE

- Finish top and side surface is hand sanded to 150 grit with bottom sanded with machine to smooth finish.
- Straight edges with 1/8" ease on top edge.

RECLAIMED MARKS

- Include nail holes, staining and surface checking.

FINISHES, ADHESIVES AND FILLERS

- CRFDP-104 Clear Waterborne Top Coat VOC: 23 g/l
- CRFDP-200 Clear OSMO Polyx Oil Top Coat VOC: <270 g/l
- Adhesives used in the fabrication process have been rated by the FDA to be non-toxic and food safe.
- Fillers – We use very little epoxy or wood filler in comparison with the overall volume of our products. However, sometimes it is necessary to use either a two-part epoxy or a wood filler to fill cracks, nail holes and other small deficiencies in the wood.





Windfall Lumber

WINDFALL LUMBER FSC CHAIN OF CUSTODY

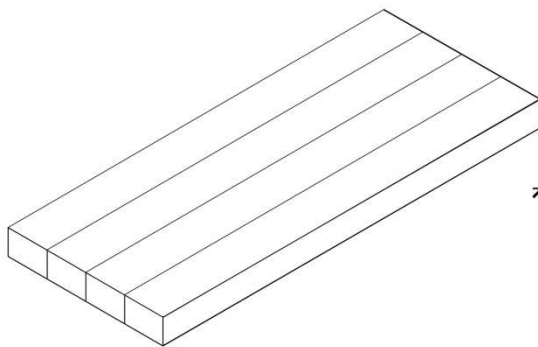
FSC- Recycled

- FSC Recycled Chain of Custody: SA-COC-002372-3
- Reclaimed Douglas Fir.
- Solid and glue laminated beams and lumber that came from deconstructed industrial, agricultural, and residential buildings in the Pacific NW.

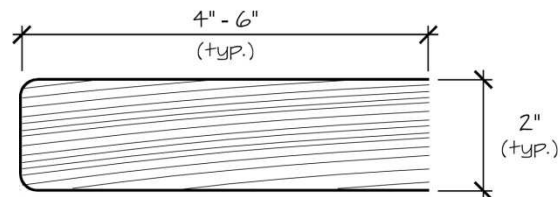
POTENTIAL LEED CREDITS

- Materials & Resources 3: Materials Reuse
- Materials & Resources 4: Recycled Content
- Materials & Resources Credit 5: Regional Materials (within 500 miles of Tumwater, WA)
- Materials & Resources Credit 7: Certified Wood
- Indoor Environmental Quality Credit 4.1: Low-emitting Materials – Adhesives
- Indoor Environmental Quality Credit 4.2: Low-emitting Materials – Paints & Coatings

See Windfall Lumber Countertop Care & Installation and Product Warranty documents from our website for further information.



PRODUCT DIAGRAM



CRITICAL DIMENSIONS
(Do not scale)



Windfall Lumber

711 Tumwater Blvd SW, Suite D
Tumwater, WA 98501



FOR MORE INFORMATION:

www.windfalllumber.com
info@windfalllumber.com
(360) 352-2250