

D3 Panels

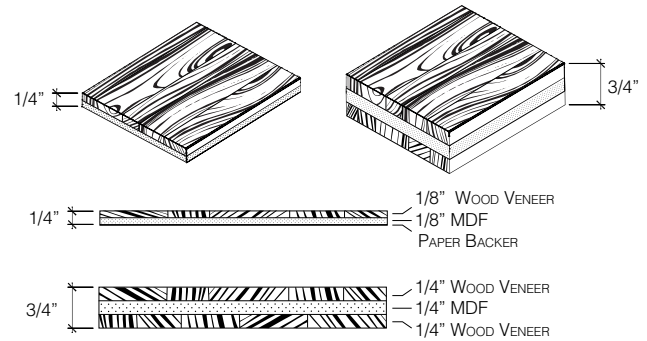
Last Revised 11/15/2019 - A&D

PRODUCT DESCRIPTION

D3 = DOUGLAS FIR'S THIRD LIFE.

First as a tree, second as a structural beam, and now as an architectural panel. In addition to attaching directly to the wall and ceilings, D3 panels have become reception and bar fronts, benches, suspended ceiling panels, café clouds and shaped fins, room dividers, shelving, and more.

D3 Panels are made from Douglas fir and Hemlock, reclaimed from solid and glue laminated beams and lumber. These are taken from deconstructed industrial, agricultural, and residential buildings in the Pacific Northwest. D3 Panels are available in two thicknesses; a 3/4" thick rigid panel and a more flexible 1/4" thick panel. The face is sanded smooth to the touch with straight edges for a butt joined installation.



SPECIFICATIONS

AVAILABLE SIZES

- 1/4" x 27" x 96"
- 1/4" x 36" x 96"
- 1/4" x 48" x 96"
- 1/4" x 48" x 120"
- 3/4" x 27" x 96"
- 3/4" x 36" x 96"
- 3/4" x 48" x 96"
- 3/4" x 27" x 120"
- 3/4" x 36" x 120"

MATERIAL AND SURFACE

- Reclaimed Douglas fir and Hemlock
- Janka hardness scale 540 - 710
- 3/4" panel: 3-ply construction comprised of a 1/4" wood veneer on front and back with a 1/4" MDF core substrate
- 1/4" panel: 3-ply construction comprised of a 1/8" wood veneer on front, an 1/8" MDF core substrate and an impregnated paper backer
- Sanded smooth face and edges squared to 90 degrees
- Standard reclaimed marks (nail holes, ferrous staining, glue lines, and occasional bolt holes) will be apparent
- Voids allowed up to 1/8" allowed and not filled

FINISHES, ADHESIVES AND FILLERS

- Standard Top Coat/Sheen: Semi-Gloss 104 WB Finish
- Clear/Top Coat VOC: 213 g/l
- Anthracite, Cascadian Brown, Chestnut, Ebony, Leather, Umber, Warm Brown Stain VOC: 7 g/l
- Adhesive VOC: 0 g/l
- Wood Filler VOC: 0 g/l

POTENTIAL LEED CREDITS

- Materials & Res. Credit 3: Materials Reuse
- Materials & Res. Credit 4: Recycled Content
- Materials & Res. Credit 5: Regional Materials (500 mi of Tumwater, WA)
- Materials & Res. Credit 7: Certified Wood
- Indoor Environmental Quality Credit 4.1: Low-emitting Materials – Adhesives
- Indoor Environmental Quality Credit 4.2: Low-emitting Materials – Paints & Coatings



D3 Panel - Chestnut with custom painted accent lines



Windfall Lumber