



guardian
technologies™

USE & CARE INSTRUCTIONS



Top Fill Ultrasonic Humidifier

Model No. H997

3-Year Limited Warranty

Customer Service 1.866.603.5900
www.guardiantechnologies.com

Date Purchased month _____ year _____ Keep Receipt

English E - 1 French F - 1 Spanish S - 1

Use GENUINE Guardian Technologies replacement parts only.

REV0622

READ AND SAVE THESE INSTRUCTIONS WARNINGS

Failure to comply with the warnings listed below may result in electric shock or serious injury.



This product should be used only in accordance with the specifications outlined in this manual. Usage other than what has been specified here may result in serious injury.

- CAUTION: To reduce the risk of severe burns, keep this product out of the reach of children and pets.
- Disassembly, repair or remodeling by an unauthorized person may result in serious harm and will void the manufacturer's warranty.
- Always place this humidifier on a firm, flat & level surface. This humidifier may not work properly on an uneven surface.
- Do not place this product on cloth, carpet or an absorbent surface. This may block air inlet.
- This product releases mist. Do not place this humidifier directly on wood furniture, flooring or any surfaces that could be damaged by water. Manufacturer does not accept any liability for damage in the case of the unit being placed incorrectly.
- Do not use if the plug is damaged or loose.
- Before filling or cleaning the unit, make sure it is unplugged.
- Once the humidifier has been plugged in, do not tilt or move the unit.
- Do not handle the plug with wet hands.
- Do not excessively bend, twist, pull or damage the power cord.
- Avoid placing this product where the humidity spout is pointed directly at an object or person.
- Do not inhale the mist/vapor expelled from the product or drink water from the tank.
- Do not fill the water tank with hot or boiling water.
- Do not use this product in direct sunlight or near a heat source such as a stove, heater or radiator.
- If the water tank becomes cracked or damaged, do not use.
- Do not keep this product running for an extended period of time.
- Unplug the cord when unit is not in use for an extended period of time and/or when no one is home.
- Do not keep water in the tank when not in use for an extended period of time.
- Do not clean the unit, water tank or water reservoir with detergents or chemicals of any kind.
- The use of water additives in the tank including ethereal/essential oils, fragrances, eucalyptus, water conditioners, etc. will damage the appliance materials and as a consequence the whole unit. Any use of such additives in the tank will void the manufacturer's warranty.
- Do not use this product near any other electronic device.
- Do not cover the spray spout at any time during use. Do not put anything on or in the tank.

- **IMPORTANT:** Neither humans nor animals can hear the high frequency vibrations.
- When unplugging from outlet hold humidifier securely.
- Do not place cord over objects.
- Do not get water in or on the power cord or where it connects to the product.
- Do not use near a sink.
- Do not touch the water tank during operation.
- Do not submerge the unit in water or pour water on the unit or in the humidity spout.
- Do not cover the spout with cloth or hand and do not use without the spout.
- Use clean or distilled water in tank. Hard water areas will require more frequent cleaning.

Stop using your humidifier and contact your physician if you have respiratory symptoms which you believe are associated with periods of use of your home humidifier, even if you are following maintenance directions.



WARNING: Cancer and Reproductive Harm.
For more information go to www.P65Warnings.ca.gov.



This equipment has been tested and found to comply with the limits for a Consumer ISM equipment, pursuant to Part 18 of the FCC Rules. Although tested, it may affect these devices. If the humidifier is found to interfere, separate the device and/or the humidifier. Conduct only the user maintenance found in this manual. Other maintenance and servicing can cause harmful interference and can void the required FCC compliance.

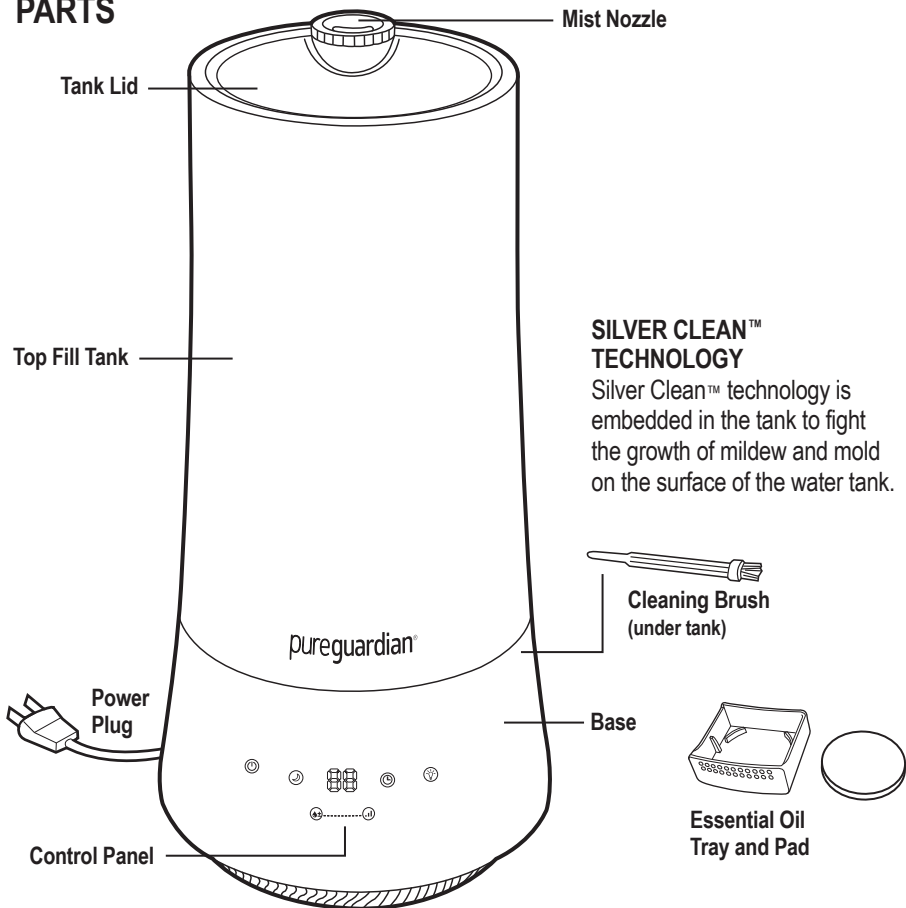
SPECIFICATIONS

HUMIDIFYING MODE: Ultrasonic Cool Mist

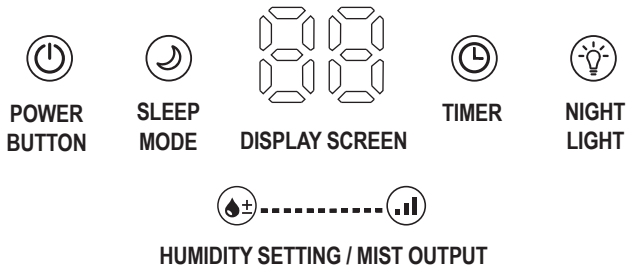
TANK CAPACITY: 1.6 gallon

SUCCESSIVE HUMIDITY HOURS: Up to 90 hours on lowest mist setting.

PARTS



CONTROL PANEL

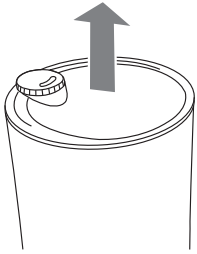


DIRECTIONS FOR USE

SET UP

Select a firm, level, flat location - at least six inches (15 cm) from any wall or object for proper air flow. Place the humidifier on a water-resistant surface, as water can damage furniture and some flooring. Do not place unit directly on carpet, towels, blankets or other absorbent surfaces. **Guardian Technologies will not accept responsibility for damage caused by water spillage.**

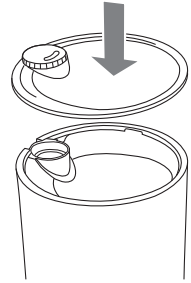
FILLING - Make sure unit is unplugged.



1. Remove the tank lid.



2. Pour cool, clean water directly into the tank using a water pitcher. Fill to-max-line on Mist Tube.



3. Return the tank lid.

WATER REFILL INDICATOR

When the unit is low on water the display will show an error E1 until the unit is refilled or turned off. Add more water to continue use. Unit will automatically resume running when the tank has been refilled.

CONTROL OPERATION



Power Button - Press to turn the power on/off



Sleep Mode - Press to turn the sleep mode on/off. The display will show "SP" for 5 seconds then the product will enter into Sleep Mode. All lights besides sleep mode turn off and the unit runs in low speed.



Timer - Set the scheduled shutdown time from 1 to 12 hours shown on the display, the product will shut down after the timer expires



Humidity Setting - Press to select the preferred humidity level. The humidity range can be set from 40% to 75%RH. Recommended humidity is between 45-50%. When the ambient humidity reaches the select setting, the unit will turn off until the ambient humidity drops back to >5%RH lower than the select setting, then the unit will work automatically.

CO = no humidity level set

HI = ambient humidity is more > 80%RH

LO = ambient humidity is < 30%RH .



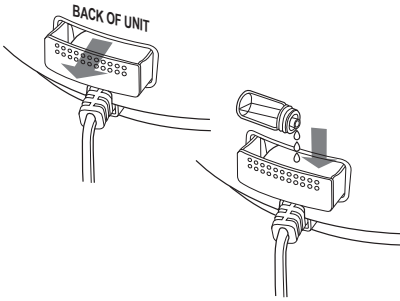
Mist Output - Press to select speed: 1-3



Night light - Press once to turn on the 7 color night light. Continue to press up to 8 times to circulate through and select a color. The 9th press turns the light off.



Display - Displays the ambient humidity, timer, setting humidity, speed, water shortage indicator(E1).



Add a few drops of your favorite essential oil to the pad in the tray. (Oil not included)

WARNING: DO NOT add oils or other additives directly into the water tank. Add only to the pad in the tray. Oils added to the tank will damage the tank and the whole unit. Any use of such additives in the tank will void the manufacturers warranty.

Pureguardian essential oils and replacement pads sold separately at www.guardiantechnologies.com

GENERAL CLEANING

1. Always unplug the unit before servicing in any way.
2. **Water tank.** Remove the lid and empty the tank by pouring all the water out. Clean the inside of the tank with fresh water and a soft cloth or the cleaning brush.
3. **Outer surface of the unit.** Wipe the lid and surface of the unit with a soft, damp cloth if needed. If you notice an accumulation of water during usage, reduce humidity and dry outer surface with a cloth.

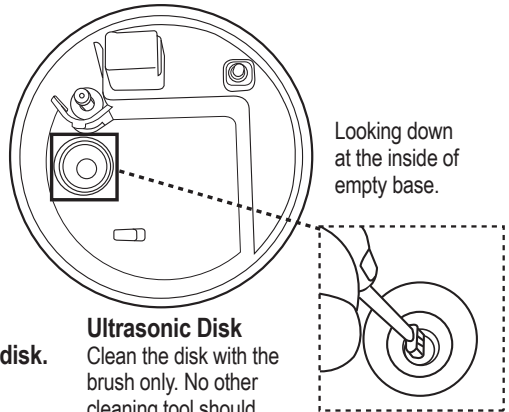
DESCALING

- Depending on usage and water type, cleaning to remove scale may be required weekly or every other week to optimize unit performance.
- If you live in a hard water area, we recommend the use of distilled water for your humidifier. This will help reduce the precipitation of minerals or 'white dust'.
- Do not clean the unit or water tank with detergents or cleaning chemicals of any kind.

ULTRASONIC DISK

1. Unplug unit.
2. Remove the tank from the base and empty all water from tank and base.
3. Locate the ultrasonic disk on the inside center of the base unit.
4. Use ONLY the enclosed cleaning brush to gently clean disk and remove build up and deposits.

Do not scrub or scrape the ultrasonic disk.



Ultrasonic Disk
Clean the disk with the brush only. No other cleaning tool should be used. BRUSH ONLY.

If scale becomes difficult to remove with brush:

1. Fill the tank with: mixture of 1 tsp. white vinegar and 1 tsp. water.
2. Let solution stand for 5 minutes.
3. With the vinegar in the tank, clean all interior surfaces with a soft cloth or brush to help remove scale.
4. Also check mist nozzle and mist tube in water tank. Clean as needed.
5. Rinse the tank thoroughly with water to remove scale and vinegar solution.

END OF SEASON STORAGE

- Follow the cleaning and descaling instructions when the humidifier will be stored at the end of the season.
- Dry the humidifier completely before storing. DO NOT store with water inside the base or water tank.
- Pack the unit in its original carton and store in a cool, dry location.

NOTE: IF YOU EXPERIENCE A PROBLEM DO NOT ATTEMPT TO OPEN THE MOTOR HOUSING YOURSELF. DOING SO MAY VOID YOUR WARRANTY AND CAUSE DAMAGE TO THE HUMIDIFIER OR PERSONAL INJURY.

TROUBLE SHOOTING GUIDE

PROBLEM	SOLUTION
Air blows but water vapor is not produced.	Excessive Water: Empty the water in the base of the unit. The surface of the ultrasonic disk is dirty: Clean ultrasonic disk. If you use hard water, replace with softer water.
Humidity level is low.	The surface of the ultrasonic disk is dirty: Clean ultrasonic disk. The water in the unit is too cold: Replace with cool, but not cold water. Damage on the ultrasonic disk: Contact Customer Service
The humidity has a bad smell.	Poor maintenance or dirty water: Clean the product thoroughly, and fill it with fresh water.
White dust is forming on nearby furniture.	Hard water may deposit a certain amount of dust. Dust in the air also settles because of added humidity in the room. Use distilled water if this becomes a nuisance.
Unit has stopped working.	No or low water. Unplug unit and refill tank.
Water is accumulating outside of unit or area surrounding unit.	Saturation of humidity. Lower mist control setting. Unit not level and water is accumulating. Unplug and place on level surface. Point spray away from objects. Raise unit on a water-resistant level surface 2-3 feet off of floor.
Increased noise level.	Unit must be placed on a flat, level, hard surface. Make sure it is NOT placed on a soft or absorbent surface.
E1 on display.	Indicates that the water level is low. Unplug and refill tank.
Humidity measurement does not match my home humidistat readings (hygrometer).	Due to humidistat tolerances between devices different relative humidity readings can be seen.
Cannot smell aroma scent.	Add a few more drops of oil to the aroma pad or replace aroma pad with a new one.

LIMITED WARRANTY

To the consumer, Guardian Technologies LLC warrants this product to be free of defects in materials or workmanship commencing upon the date of the original purchase. In order to be eligible for this Limited Warranty, an original sales receipt or comparable substitute proof of purchase bearing the date of original purchase is required. Refer to the original product carton or specific product/model page on the Guardian Technologies website for warranty length for your particular model. This warranty applies only to the original purchaser of this product from the original date of purchase. This warranty covers product purchased from authorized distributors only. This warranty does not cover Guardian Technologies products that are used outside of the US and Canada as the appliance must be plugged directly into a 120V AC electrical outlet without the use of an adapter.

This warranty applies to repair or replacement of product found to be defective in materials or workmanship. This warranty does not apply to damage resulting from unusual wear, commercial, abusive, unreasonable use or supplemental damage. This warranty does not cover damage from unauthorized repairs or from any use not in accordance with the instruction manual. Defects that are the result of normal wear and tear will not be considered manufacturing defects under this warranty.

If this product should become defective within the warranty period, we will repair or replace any defective parts free of charge. All warranty repairs must be completed by Guardian Technologies LLC. This warranty gives you specific legal rights and you may also have other rights (other rights may vary from state to state in the U.S.A.)

To submit product under warranty the complete machine must be delivered pre-paid to Guardian Technologies LLC. Please include complete information including: the problem, the model number of the product, the day of purchase, and a copy of the original sales receipt along with your name, address, and telephone (email optional). Address returns to the attention of: Repair Department, at the address below. Additional questions or comments can be made toll free to the number listed below.

USA and Canada
Guardian Technologies LLC
26251 Bluestone Blvd.
Euclid, Ohio 44132
1.866.603.5900
www.guardiantechnologies.com

Please go to www.guardiantechnologies.com to register your product. We consider the registration process important to ensuring superior service to our customers, however submitting the registration is optional and does not affect your rights to utilize this warranty according to the conditions stated above.

Additional copies of the instruction manual can be obtained by accessing and printing directly from our website or calling customer service.

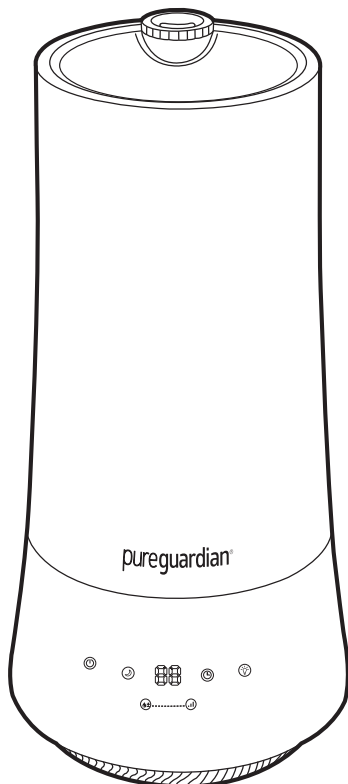


Guardian Technologies LLC
26251 Bluestone Blvd. • Euclid, OH 44132
1.866.603.5900 • www.guardiantechnologies.com

©2016 Guardian Technologies LLC



UTILISATION ET INSTRUCTIONS D'ENTRETIEN



Humidificateur ultrasonique à remplissage par le haut

Modèle n° H997

Garantie limitée de un (3) ans

Service à la clientèle : 1.866.603.5900

www.guardiantechnologies.com

Date d'achat mois _____ année _____ Conserver le reçu

Anglais E - 1 Français F - 1 Espagnol S - 1

Utilisez uniquement des pièces de rechange ORIGINALES de Guardian Technologies.

REV0622

F-1

LISEZ ET CONSERVEZ CES INSTRUCTIONS AVERTISSEMENTS

Le non-respect des avertissements mentionnés ci-dessous peut provoquer une décharge électrique ou des blessures graves.



Ce produit doit être utilisé en conformité avec les directives indiquées dans le présent manuel. De graves blessures peuvent résulter d'un usage du produit autre que celui indiqué dans le présent manuel.

- **AVERTISSEMENT** : Pour réduire le risque de brûlures graves, gardez l'appareil hors de portée des enfants et des animaux de compagnie.
- Le démontage, la transformation ou la réparation de l'appareil par une personne non autorisée peuvent engendrer de graves blessures et annuleront la garantie du fabricant.
- Installez toujours l'appareil sur une surface de niveau, plane et stable. Cet humidificateur peut ne pas fonctionner correctement sur une surface irrégulière.
- N'installez pas l'appareil sur du tissu, de la moquette ou une surface absorbante, car cela pourrait en obstruer l'entrée d'air.
- Cet appareil émet de la vapeur. Ne placez pas cet humidificateur directement sur des meubles ou un plancher en bois, ni sur des surfaces pouvant être endommagés par de l'eau. Le fabricant décline toute responsabilité pour tout dommage survenant à la suite du mauvais positionnement de l'appareil.
- N'utilisez pas l'appareil si la prise est endommagée ou desserrée.
- Veillez à débrancher l'appareil avant de le nettoyer ou de remplir le réservoir d'eau.
- Une fois que l'humidificateur est branché, ne l'inclinez pas et ne le déplacez pas.
- Ne retirez pas le réservoir d'eau lorsque l'appareil est en marche.
- Ne manipulez pas la prise de l'appareil avec des mains mouillées.
- Évitez de plier, tordre ou tirer le cordon d'alimentation de façon excessive.
- Évitez de placer cet appareil à un endroit où le bec de vaporisation est orienté directement vers un objet ou une personne.
- N'inhalez pas la vapeur émise par cet appareil et ne buvez pas l'eau du réservoir.
- Ne remplissez pas le réservoir d'eau chaude ni d'eau bouillante.
- N'utilisez pas cet appareil à la lumière directe du soleil ou près d'une cuisinière, d'un chauffe-eau ou d'un radiateur.
- N'utilisez pas l'appareil si le réservoir est fissuré ou endommagé.
- Ne laissez pas cet appareil fonctionner pendant une période prolongée.
- Débranchez l'appareil lorsqu'il n'est pas utilisé pendant une période prolongée ou lorsque personne n'est à la maison.
- Ne laissez pas d'eau dans le réservoir lorsque vous n'utilisez pas l'appareil pendant une période prolongée.
- Ne nettoyez jamais l'appareil ni le réservoir d'eau avec des détergents ou des produits chimiques, quels qu'ils soient.

- N'utilisez pas cet appareil à proximité d'un autre appareil électronique.
- Ne recouvrez jamais le bec de vaporisation pendant le fonctionnement de l'appareil. Ne placez rien sur ou dans le réservoir.
- **IMPORTANT** : Ni les hommes, ni les animaux ne peuvent entendre les vibrations haute fréquence.
- Tenez fermement l'appareil lorsque vous le débranchez.
- Ne faites pas passer le cordon électrique par-dessus des objets.
- Ne mouillez pas le cordon d'alimentation, ni la prise de l'appareil. N'utilisez pas l'appareil près d'un évier.
- Ne touchez pas le réservoir d'eau pendant le fonctionnement de l'appareil.
- N'immergez pas l'appareil et ne versez pas d'eau sur l'appareil ni sur le bec de vaporisation.
- Videz toujours l'eau du réservoir du côté de l'orifice d'évacuation.
- Ne recouvrez pas le bec de vaporisation avec un chiffon ou avec votre main, et n'utilisez jamais l'appareil sans le bec de vaporisation.
- Utilisez toujours de l'eau douce ou distillée dans le réservoir l'eau. Dans les régions où l'eau est dure, un nettoyage plus fréquent sera nécessaire.

Arrêtez d'utiliser votre humidificateur et contactez votre médecin si vous avez des problèmes respiratoires que vous croyez associé aux périodes d'utilisation de votre humidificateur maison, même si vous suivez les directives de maintenance.



AVERTISSEMENT : Peut provoquer le cancer ou des effets nocifs sur la reproduction. Pour de plus amples informations, visitez le site www.P65Warnings.ca.gov



Cet équipement a été testé et s'est avéré conforme aux limites d'un consommateur Équipement ISM, conformément à la partie 18 des Règles de la FCC. Bien que testé, cet appareil pourrait créer des interférences sur ceux susmentionnés. Si l'humidificateur provoque des interférences, écartez l'appareil et/ou l'humidificateur. Effectuez l'entretien uniquement suivant les indications fournies dans le présent manuel. Toute autre opération d'entretien ou de maintenance pourrait provoquer des interférences préjudiciables et annuler la conformité requise aux exigences de la FCC.

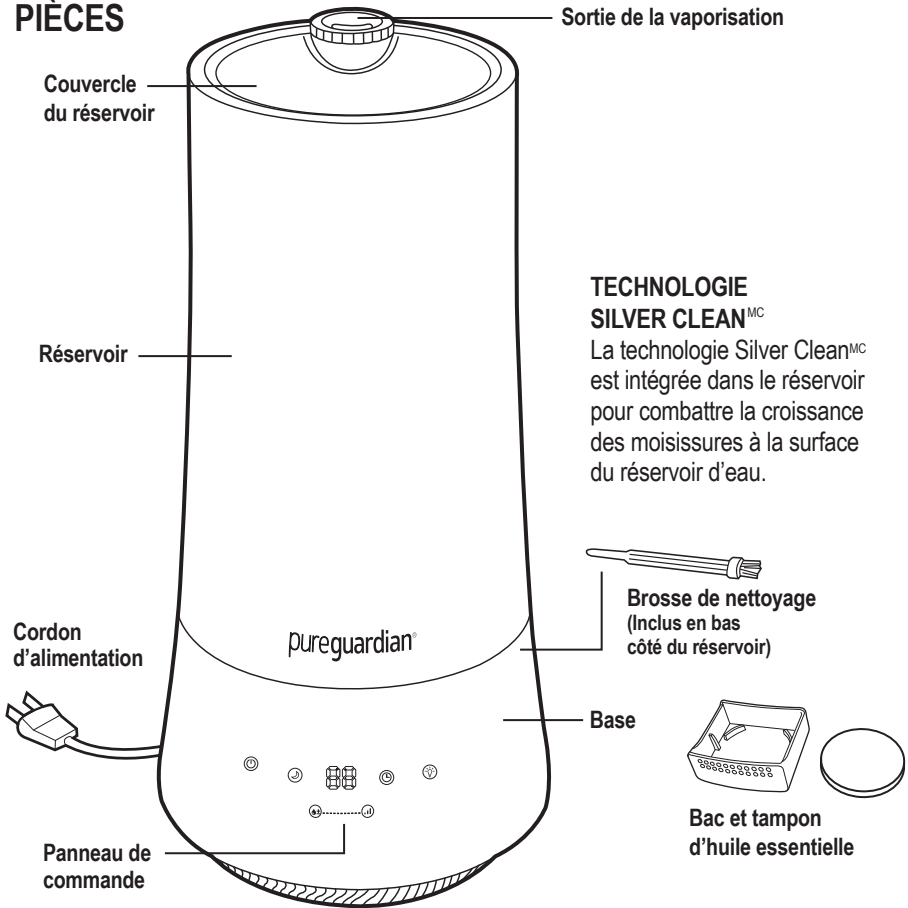
SPÉCIFICATIONS

MODE D'HUMIDIFICATION : Vapeur froide ultrasonique

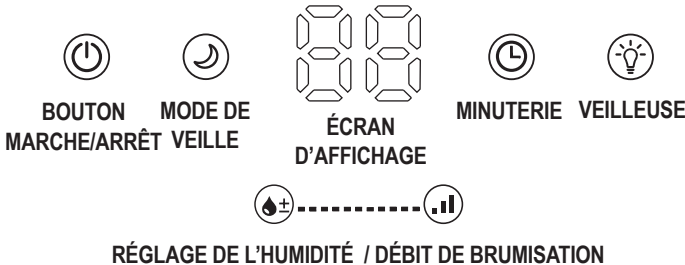
CAPACITÉ DU RÉSERVOIR : 1,6 gallon (6,06 L)

DURÉE : Jusqu'à 90 heures sur le réglage de brouillard le plus bas.

PIÈCES



PANNEAU DE COMMANDE

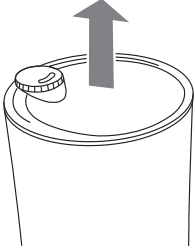


MODE D'EMPLOI

INSTALLATION

Choisissez un endroit à la surface de niveau, plane et stable, à 15 cm (6 po) au moins de tout mur ou de tout objet pour assurer un bon flux d'air. Installez l'humidificateur sur une surface imperméable, puisque la vapeur d'eau peut endommager les meubles et certains planchers. N'installez pas l'appareil directement sur de la moquette, des serviettes, des couvertures ou toute autre surface absorbante. **Guardian Technologies décline toute responsabilité pour tout dommage causé par de l'eau renversée.**

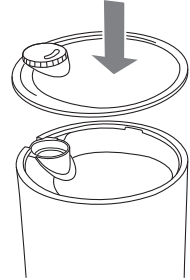
REMPLEISSAGE - Vérifiez que l'appareil est débranché.



1. Enlevez le couvercle du réservoir.



2. Versez de l'eau fraîche et propre directement dans le réservoir à l'aide d'un pichet d'eau. Remplissez jusqu'à la ligne « max » sur le tube de vaporisation.



3. Remettez en place le couvercle de réservoir.

INDICATEUR DE REMPLISSAGE D'EAU

Lorsque l'appareil manque d'eau, l'écran affiche une erreur E1 jusqu'à ce que l'appareil soit rempli ou éteint. Ajoutez de l'eau pour continuer à utiliser l'appareil. L'appareil se remet automatiquement en marche une fois le réservoir rempli.

UTILISATION DES BOUTONS DE COMMANDE



Bouton d'alimentation - appuyez pour allumer ou éteindre l'appareil.



Mode de veille - appuyez pour activer ou désactiver le mode veille. L'écran affiche « SP » pendant cinq (5) secondes, puis l'appareil passe en mode veille. Toutes les lumières en plus du mode veille éteignent-vous et l'appareil fonctionne à basse vitesse.



Minuterie - réglez l'heure d'arrêt programmée, de 1 à 12 heures, indiquée à l'écran. L'appareil s'arrêtera après l'expiration de la minuterie.



Réglage de l'humidité - appuyez et maintenez la pression pour sélectionner le niveau d'humidité préféré. Le taux d'humidité peut être réglé de 40 % à 75 % HR. L'humidité recommandée est comprise entre 45 et 50 %. Lorsque l'humidité ambiante atteint le réglage de sélection, l'appareil s'éteint jusqu'à ce que l'humidité ambiante retombe à >5 % HR inférieur au réglage de sélection, puis l'appareil fonctionne automatiquement.
CO = pas de niveau d'humidité réglé
HI = l'humidité ambiante est plus > 80% HR
LO = humidité ambiante est de < 30% HR.



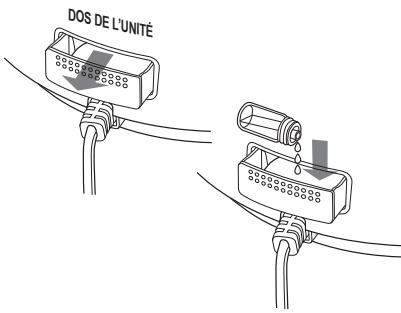
Débit de brumisation - Press to select speed: 1-3



Veilleuse - Appuyez une fois pour allumer la veilleuse à sept (7) couleurs. Continuez à appuyer jusqu'à huit (8) fois pour faire défiler et sélectionner une couleur. La 9e pression éteint la lumière.



Ecran - affiche l'humidité ambiante, la minuterie, l'humidité de réglage, la vitesse, l'indicateur de manque d'eau (E1).



Ajoutez quelques gouttes de votre huile essentielle favorite sur le tampon dans le bac. (Huile non incluse).
AVERTISSEMENT: N'AJOUTEZ PAS directement des huiles ou d'autres additifs dans le réservoir d'eau. Ajoutez seulement sur le tampon dans le bac. Les huiles ajoutées au réservoir l'endommageront ainsi que l'appareil au complet. Toute utilisation de tels additifs dans le réservoir annulera la garantie du fabricant.
Huile essentielle et coussinets de rechange vendus séparément. www.guardiantechnologies.com

NETTOYAGE GÉNÉRAL

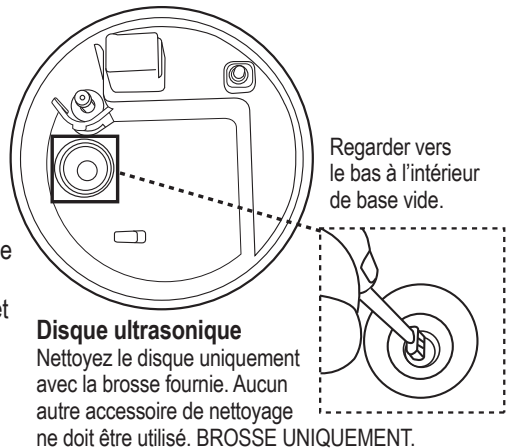
1. **Débranchez toujours l'appareil avant d'effectuer tout entretien.**
2. **Réservoir d'eau.** Retirez le couvercle et videz le réservoir en versant toute l'eau. Nettoyez l'intérieur du réservoir avec de l'eau et un chiffon doux ou avec la brosse de nettoyage.
3. **Extérieur de l'appareil.** Essuyez la surface de l'appareil à l'aide d'un chiffon doux et humide, au besoin. Si vous remarquez une accumulation d'eau pendant le fonctionnement de l'appareil, réduisez l'humidité et essuyez la surface extérieure à l'aide d'un chiffon.

DÉTARTRAGE

- Selon l'utilisation et la dureté de l'eau, il peut être nécessaire de détartrer l'appareil une fois par semaine, ou une semaine sur deux, pour assurer la performance optimale de l'appareil.
- Si vous vous trouvez dans une zone où l'eau est dure, nous vous recommandons d'utiliser de l'eau distillée dans votre humidificateur. Cela aide à réduire le dépôt de minéraux ou de « poussière blanche ».
- Ne nettoyez jamais l'appareil ni le réservoir avec des détergents ou des produits chimiques de nettoyage, quels qu'ils soient.

DISQUE ULTRASONIQUE

1. Débranchez l'appareil.
2. Retirez le réservoir de la base et videz toute l'eau du réservoir et de la base.
3. Repérez le disque ultrasonique à l'intérieur et au centre de la base de l'appareil.
4. Utilisez **UNIQUEMENT** la brosse de nettoyage incluse pour nettoyer doucement le disque et retirez les dépôts de matière. Ne frottez pas et ne grattez pas le disque ultrasonique.
Ne frottez pas et ne grattez pas le disque ultrasonique.



Si le tartre est difficile à retirer avec la brosse :

1. Remplissez la base avec : une solution faite de 1 cuillère à café de vinaigre blanc et de 1 cuillère à café d'eau.
2. Laissez cette solution agir 5 minutes.
3. Pendant que le vinaigre agit dans la base, nettoyez toutes les surfaces intérieures à l'aide d'un chiffon doux ou d'une brosse pour retirer tout dépôt de tartre.
4. Vérifiez aussi le bec et le tube de vaporisation dans le réservoir d'eau. Nettoyez-les au besoin.
5. Rincez bien la base à l'eau pour retirer le tartre et la solution au vinaigre.

ENTREPOSAGE EN FIN DE SAISON

- Suivez les instructions de nettoyage et de détartrage lorsque vous pensez entreposer l'humidificateur en fin de saison.
- Laissez sécher l'humidificateur complètement avant de l'entreposer. NE laissez PAS d'eau dans la base ou dans le réservoir lors de l'entreposage de l'appareil.
- Remettez l'appareil dans son carton d'origine et entreposez-le dans un endroit frais et sec.

REMARQUE : SI VOUS RENCONTREZ UN PROBLÈME QUEL QU'IL SOIT, NE TENTEZ PAS D'OUVRIER VOUS-MÊME LE COMPARTIMENT DU MOTEUR. AGIR DE LA SORTE RISQUE D'ANNULER VOTRE GARANTIE, D'ENDOMMAGER L'HUMIDIFICATEUR OU DE CAUSER DES BLESSURES.

GUIDE DE DÉPANNAGE

PROBLÈME	SOLUTION
L'air circule, mais aucune vapeur n'est émise.	Trop d'eau : retirez un peu d'eau du réservoir. Videz l'eau dans la base de l'appareil. La surface du disque ultrasonique est sale : nettoyez le disque ultrasonique. Si vous utilisez de l'eau dure, remplacez-la par de l'eau douce.
Le taux d'humidité est bas.	La surface du disque ultrasonique est sale : nettoyez le disque ultrasonique. L'eau dans l'appareil est trop froide : remplacez l'eau avec de l'eau fraîche, mais pas froide. Le disque ultrasonique est endommagé : communiquez avec le service clientèle.
L'humidité émise a une mauvaise odeur.	Piètre entretien ou eau croupie : nettoyez à fond l'appareil et remplissez-le d'eau douce.
Une poussière blanche se dépose sur les meubles à proximité de l'appareil.	L'utilisation d'une eau dure peut occasionner le dépôt d'une certaine quantité de poussière. La poussière dans l'air se tasse également en raison de l'augmentation du taux d'humidité dans la pièce. Si ce phénomène devient gênant, utilisez une eau distillée.
L'appareil s'est arrêté.	Absence d'eau ou niveau d'eau trop bas. Débranchez l'appareil et remplissez le réservoir.
De l'eau s'accumule à l'extérieur ou autour de l'appareil.	Trop d'humidité. Réglez la vaporisation à un niveau plus faible. L'appareil n'est pas de niveau et de l'eau s'accumule autour. Débranchez l'appareil et placez-le sur une surface de niveau. Orientez le bec de vaporisation de manière à ce qu'il ne soit pas dirigé vers des objets. Élevez l'appareil sur une surface imperméable de 500 cm à 1 000 cm (de 2 pi à 3 pi) au-dessus du plancher.
Niveau de bruit accru.	L'appareil doit être placé sur une surface de niveau, plane et stable. Assurez-vous que l'appareil n'est PAS placé sur une surface instable et absorbante.
E1 en pantalla.	Indica que el nivel del agua es demasiado bajo. Tanque de recarga.
La medición de la humedad no coincide con las lecturas de mi humidistato doméstico (higrómetro).	Debido a las tolerancias del humidistato entre dispositivos, se pueden ver diferentes lecturas de humedad relativa.
Impossible de sentir les essences aromatiques.	Ajoutez quelques gouttes d'huile supplémentaires au tampon à essences aromatiques ou remplacez-le par un autre.

GARANTIE LIMITÉE

Guardian Technologies LLC garantit au consommateur que cet appareil est exempt de défauts matériels ou de fabrication, à partir de la date d'achat originale. Afin d'être admissible à cette Garantie limitée, un reçu de vente original ou une autre preuve d'achat substitut comparable portant la date de l'achat original est requis. Consultez la boîte de produit originale ou la page du produit/modèle spécifique sur le site Web de Guardian Technologies pour la période de garantie concernant votre modèle en particulier. Cette garantie s'applique seulement à l'acheteur original de ce produit à partir de la date d'achat originale. Cette garantie couvre un appareil acheté uniquement auprès de distributeurs agréés. Cette garantie ne couvre pas les produits Guardian Technologies qui sont utilisés en dehors des États-Unis et du Canada, car l'appareil doit être branché directement sur une prise électrique de 120 Vca sans utiliser d'adaptateur.

Cette garantie s'applique à la réparation ou au remplacement du produit trouvé défectueux au niveau des matériaux ou de la fabrication. Cette garantie ne s'applique pas aux dommages découlant d'une usure inhabituelle, d'une utilisation commerciale, abusive ou déraisonnable ou de dommages additionnels. Cette garantie ne couvre pas les dommages causés par des réparations non autorisées ou de toute utilisation non conforme avec le manuel des instructions. Les défaillances découlant d'une usure normale ne seront pas considérées des défauts de fabrication selon la présente garantie.

Si cet appareil s'avère défectueux pendant la période de garantie, nous réparerons ou remplacerons gratuitement toutes les pièces défectueuses. Toute réparation couverte par la présente garantie doit être effectuée par Guardian Technologies LLC. La présente garantie vous donne certains droits juridiques. Vous pouvez également bénéficier d'autres droits (les droits peuvent varier d'un État à l'autre aux États-Unis).

Pour faire valoir la présente garantie, l'appareil complet doit être envoyé en port payé à Guardian Technologies LLC. Veuillez inclure les renseignements complets, y compris : la nature du problème, le numéro de modèle, la date d'achat, et incluez vos nom, adresse et numéro de téléphone (courriel facultatif) ainsi qu'une copie du reçu de vente original. Retournez l'appareil à l'attention de : Service des réparations, à l'adresse indiquée ci-dessous. Adressez vos questions ou vos commentaires au numéro sans frais indiqué ci-après.

États-Unis et Canada
Guardian Technologies LLC
26251 Bluestone Blvd.
Euclid, Ohio 44132
1.866.603.5900
www.guardiantechnologies.com

Veillez vous rendre à www.guardiantechnologies.com pour enregistrer votre produit. Nous considérons le processus d'enregistrement comme important afin d'assurer un service à notre clientèle. Cependant, l'envoi de la carte d'enregistrement est facultatif et n'affectera en rien vos droits de faire valoir cette garantie en accord avec les conditions susmentionnées.

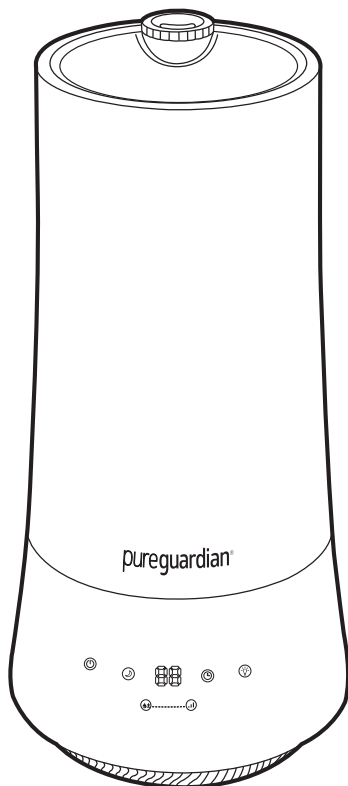
Des copies supplémentaires de ce manuel d'utilisation peuvent être obtenues sur notre site Internet puis imprimées, ou en appelant le service à la clientèle.



Guardian Technologies LLC
26251 Bluestone Blvd. • Euclid, OH 44132
1.866.603.5900 • www.guardiantechnologies.com



INSTRUCCIONES DE USO Y CUIDADO



Humidificador ultrasónico de llenado por la parte superior

Número de Modelo: H997

Garantía limitada por 3 años

Departamento Deservicio 1.866.603.5900

www.guardiantechnologies.com

Fecha de compra mes _____ año _____ Conservar el recibo

Inglés E - 1 Francés F - 1 Español S - 1

Utilice únicamente piezas de repuesto GENUINAS de Guardian Technologies.

REV0622

S-1

LEA Y GUARDE ESTAS INSTRUCCIONES ADVERTENCIAS

El no cumplir las advertencias que se enumeran a continuación puede provocar un choque eléctrico o lesiones severas.



Debe usarse este producto sólo de acuerdo a las especificaciones descritas en este manual. Usarlo de una manera diferente a lo indicado puede ocasionar lesiones severas.

- **PRECAUCIÓN:** Para disminuir el riesgo de quemaduras graves, mantenga este producto fuera del alcance de los niños y mascotas.
- Desarmarlo, repararlo o remodelarlo por una persona no autorizada puede provocar daños severos y anulará la garantía del fabricante.
- Coloque siempre el humidificador sobre una superficie dura, plana y nivelada. Es posible que este humidificador no funcione adecuadamente si se coloca sobre una superficie dispareja.
- No coloque este producto sobre telas, alfombras, o una superficie absorbente, ya que podría bloquear la entrada de aire.
- Este producto emite neblina. No coloque este humidificador directamente sobre muebles de madera, pisos o superficies que podrían dañarse con el agua. El fabricante no se hace responsable por daños en caso de que la unidad haya sido colocada de manera incorrecta.
- No lo utilice si el enchufe está dañado o suelto.
- Antes de llenar o limpiar la unidad, asegúrese de que esté desconectada.
- Una vez que haya conectado el humidificador, no incline ni mueva la unidad.
- No retire el depósito de agua si la unidad está encendida.
- No tome el enchufe con las manos mojadas.
- No doble, tuerza, jale excesivamente ni dañe el cordón eléctrico.
- Evite colocar este producto de manera que la boquilla de humidificación apunte directamente a un objeto o persona.
- No inhale la neblina o vapor que emite este producto y tampoco beba el agua del depósito.
- No llene el depósito con agua caliente o hirviendo.
- No use este producto bajo la luz solar directa ni cerca de una fuente de calor, como una estufa, calentador o radiador.
- No lo use si el depósito de agua se agrieta o presenta daños.
- Evite que este producto funcione por un período prolongado.
- Desconecte el cordón cuando no use la unidad durante un período prolongado o cuando no se encuentre ninguna persona en la casa.
- No deje agua dentro del depósito cuando no use la unidad durante un período prolongado.
- No limpie la unidad, el depósito o tanque de agua con detergentes ni productos químicos de ningún tipo.
- No use este producto cerca de cualquier dispositivo electrónico.
- Cuando lo use, no cubra la boquilla de humidificación en ningún momento. No coloque ningún objeto en el depósito o sobre él.

- **IMPORTANTE:** Tanto los seres humanos como los animales no pueden escuchar las vibraciones de alta frecuencia.
- Cuando lo desconecte del tomacorriente sostenga el humidificador de manera segura.
- No coloque el cordón eléctrico sobre ningún objeto.
- No deje penetrar agua al cordón eléctrico ni sobre él, ni donde se conecta con el producto. No use este aparato cerca de un lavabo o fregadero.
- No toque el depósito de agua mientras está funcionando la unidad.
- No sumerja la unidad en agua ni vierta agua sobre ella ni en la boquilla de humidificación.
- Cuando vacíe el agua del depósito, viértala por el lado de drenaje.
- No cubra la boquilla de humidificación con tela ni con su mano, ni tampoco use el aparato sin esta boquilla en su sitio.
- Use sólo agua limpia o destilada para llenar el depósito. Las áreas donde se acumula agua dura deberán limpiarse con más frecuencia.

Deje de usar el humidificador y póngase en contacto con su médico si tiene síntomas respiratorios que considera que están relacionados con los periodos de uso del humidificador para el hogar, aunque siga las indicaciones de mantenimiento.



WARNING: Cáncer y daños al sistema reproductivo.
Para mayor información, visite www.P65Warnings.ca.gov.



Este equipo ha sido probado y cumple con los límites para un Consumidor ISM, conforme a la Parte 18 de las Reglas de la FCC. Aunque ha sido probado, aun así puede afectar estos dispositivos. Si observa que el humidificador crea interferencia, ponga el dispositivo o el humidificador aparte. Realice únicamente el servicio de mantenimiento indicado en este manual. Otro tipo de mantenimiento y servicio puede provocar interferencia perjudicial y anular el cumplimiento requerido por la FCC.

ESPECIFICACIONES

MODO DE HUMIDIFICACIÓN: Niebla ultrasónica fría

CAPACIDAD DEL DEPÓSITO: 6.06 litros (1.6 galón)

TIEMPO DE FUNCIONAMIENTO: Hasta 90 horas en el ajuste de niebla más bajo.

PARTS



PANEL DE CONTROL



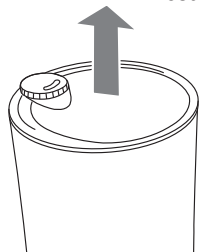
AJUSTE DE HUMEDAD / SALIDA DE NIEBLA

ENSAMBLADO INSTRUCCIONES DE USO

Seleccione una superficie firme, plana y nivelada; al menos a una distancia de 15 cm (6 pulg.) de una pared u objeto para tener un flujo de aire adecuado. Coloque el humidificador sobre una superficie resistente al agua, ya que el agua puede dañar los muebles y ciertos pisos. No coloque la unidad directamente sobre alfombras, toallas, cobijas u otras superficies absorbentes.

Guardian Technologies no se hará responsable por daños ocasionados por derrames de agua.

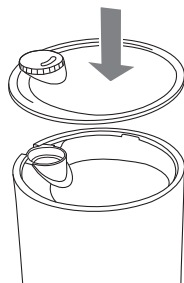
RELLENO - Asegúrese que la unidad esté desconectada.



1. Retire la tapa del depósito.



2. Vierta agua fría y limpia directamente en el tanque usando una jarra de agua. Llene hasta la línea máxima en el tubo de niebla.



3. Coloque la tapa del depósito nuevamente.

INDICADOR DE RELLENO DE AGUA

Cuando la unidad tiene poca agua, la pantalla mostrará el error E1 hasta que la unidad se vuelva a llenar o se apague. Añada más agua para continuar usando la unidad. La unidad volverá a funcionar de manera automática cuando se haya llenado el depósito.

OPERACIÓN DE CONTROL



Botón de encendido - Presione para encender/apagar.



Modo Suspensión - presione para apagar o encender este modo. Se mostrará "SP" durante 5 segundos en la pantalla y, luego, el producto entrará en modo Suspensión. Todas las luces además del modo de suspensión apague y la unidad funcione a baja velocidad.



Temporizador - configure el tiempo de apagado programado de 1 a 12 horas que se muestra en la pantalla. El producto se apagará después de que expire el temporizador.



Ajuste de humedad - manténgalo presionado para seleccionar el nivel de humedad preferido. El rango de humedad se puede configurar entre 40 % y 75 % HR. La humedad recomendada es de entre el 45 y 50 %. Cuando la humedad ambiental alcanza la configuración seleccionada, la unidad se apagará hasta que la humedad ambiental vuelva a caer a >5% HR más baja que la configuración seleccionada, luego la unidad funcionará automáticamente.

CO = sin nivel de humedad establecido
HI = la humedad ambiental es más > 80% HR
LO = humedad ambiental es < 30% HR.



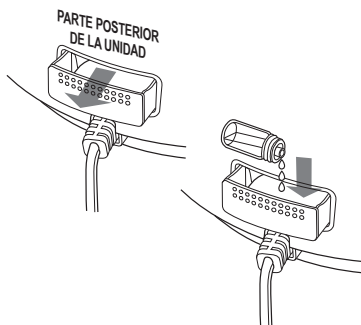
Velocidad del ventilador - presione para seleccionar la velocidad: 1-3.



Salida de niebla - presione una vez para encender la luz nocturna de 7 colores. Continúe presionando hasta 8 veces para circular y seleccionar un color. Cuando presione por 9na vez, se apagará la luz.



Pantalla - muestra la humedad ambiental, el temporizador, el ajuste de humedad, la velocidad y el indicador de falta de agua (E1).



Vierta una cuantas gotas de su aceite esencial preferido en la almohadilla de la cubeta (el aceite no está incluido con el producto).

ADVERTENCIA: NUNCA vierta aceites ni otras sustancias directamente en el depósito de agua. Agréguelos únicamente en la almohadilla de la cubeta. Si vierte aceites en el depósito, estos dañarán el depósito y el resto de la unidad. El uso de cualquiera de estas sustancias añadidas en el depósito de agua anulará la garantía del fabricante.

Los aceites esenciales y las almohadillas de reemplazo se venden por separado. www.guardiantechnologies.com

LIMPIEZA GENERAL

1. **Desconecte siempre la unidad antes de darle mantenimiento.**
2. **Depósito de agua.** Retire la tapa y vierta toda el agua para vaciar el depósito. Limpie el interior del depósito con agua dulce y un paño suave o el cepillo de limpieza.
3. **Superficie externa de la unidad.** De ser necesario, limpie la superficie externa de la unidad con un paño suave, húmedo. Si observa acumulación de agua durante el uso, disminuya la humedad y seque la superficie externa con un paño.

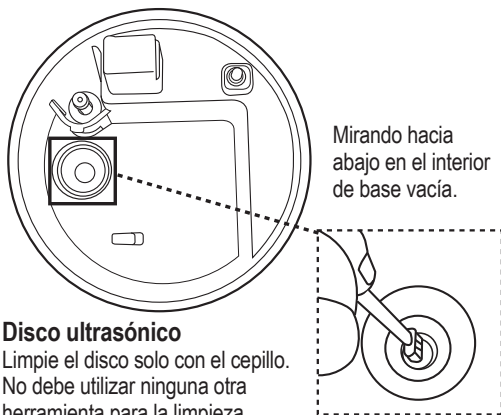
DESINCRUSTACIÓN

- Dependiendo del tipo y uso del agua, la limpieza requerida para eliminar el sarro deberá hacerse semanalmente, o cada dos semanas para optimizar el rendimiento de la unidad.
- Si vive en un área de agua dura, le recomendamos que utilice agua destilada en su humidificador. Esto ayudará a disminuir la precipitación de minerales del agua o "el polvo blanco".
- No limpie la unidad ni el depósito de agua con detergentes ni productos químicos de ningún tipo.

DISQUE ULTRASONIQUE

1. Débranchez l'appareil.
2. Retire el tanque de la base y vacíe toda el agua del tanque y la base.
3. Ubique el disco ultrasónico en la parte interna de la base de la unidad.
4. Use SÓLO el cepillo para limpieza incluido para limpiar cuidadosamente el disco y eliminar las incrustaciones y materiales depositados.

No frote ni raspe el disco ultrasónico.



Disco ultrasónico

Limpie el disco solo con el cepillo. No debe utilizar ninguna otra herramienta para la limpieza, SOLO EL CEPILLO.

Si resulta difícil eliminar el sarro con el cepillo:

1. Llene la base con: una mezcla de 1 cucharadita de vinagre blanco y una 1 cucharadita de agua.
2. Deje reposar la solución durante 5 minutos.
3. Una vez que vierta la solución de vinagre en la base, limpie todas las superficies internas con un paño suave o un cepillo para ayudar a eliminar el sarro.
4. Verifique también la boquilla de neblina y el tubo de neblina del depósito de agua. Límpielos cuando sea necesario.
5. Enjuague la base meticulosamente con agua para eliminar el sarro y la solución de vinagre.

ALMACENAMIENTO DE FIN DE TEMPORADA

- Siga las instrucciones de limpieza y desincrustación cuando guarde el humidificador al final de la temporada.
- Seque muy bien el humidificador antes de guardarlo. NO lo guarde si todavía tiene agua en el interior de la base o en el depósito de agua.
- Empaque la unidad en la caja original y guárdela en un lugar fresco y seco.

NOTA: SI ENCUENTRA ALGÚN PROBLEMA NO INTENTE ABRIR EL ALOJAMIENTO DEL MOTOR USTED MISMO. HACERLO PODRÍA ANULAR SU GARANTÍA Y PROVOCAR LESIONES PERSONALES O DAÑOS AL HUMIDIFICADOR.

GUÍA DE SOLUCIÓN DE PROBLEMAS

PROBLEMA	SOLUCIÓN
Sale aire pero no se produce vapor.	Enchufe: Vacíe el agua en la base de la unidad. Verifique que el depósito esté conectado correctamente. La superficie del disco ultrasónico está sucia: Limpie el disco ultrasónico.
Nivel de humedad bajo.	La superficie del disco ultrasónico está sucia: Limpie el disco ultrasónico. El agua de la unidad está demasiado fría: Reemplace con agua fresca, pero que no esté fría. Daño del disco ultrasónico: Llame al departamento de servicio al cliente.
La humedad despidе mal olor.	Mantenimiento deficiente o agua sucia: Limpie la unidad meticulosamente y llénela de agua fresca.
En los muebles cercanos a la unidad está apareciendo un polvo blanco.	El agua dura puede crear ciertos depósitos de polvo. El polvo en el aire también se asienta debido a la humedad de la habitación. Si le molesta este polvo, use agua destilada.
La unidad dejó de funcionar.	Nada de agua o nivel bajo de agua. Desconecte la unidad y vuelva a llenar el depósito.
Se acumula agua fuera de la unidad o en el área alrededor.	Saturación de humedad. Disminuya el nivel de la neblina. La unidad no está bien nivelada y se acumula agua. Desconéctela y colóquela sobre una superficie nivelada. Apunte la boquilla de rociado lejos de los objetos. Eleve la unidad sobre una superficie nivelada resistente al agua de 61 cm a 91 cm (de 2 a 3 pies) por encima del piso.
Incremento del nivel de ruido.	La unidad debe colocarse sobre una superficie dura, plana y nivelada. Cerciórese de que NO esté colocada sobre una superficie suave absorbente.
E1 en pantalla.	Indica que el nivel del agua es demasiado bajo. Tanque de recarga.
La medición de la humedad no coincide con las lecturas de mi humidistato doméstico (higrómetro).	Debido a las tolerancias del humidistato entre dispositivos, se pueden ver diferentes lecturas de humedad relativa.
No puede percibir la esencia aromática.	Agregue algunas gotas más del aceite a la almohadilla aromática reemplácela por una nueva.

GARANTÍA LIMITADA

Para el consumidor, Guardian Technologies LLC garantiza que este producto se encuentra libre de defectos de materiales o mano de obra a partir de la fecha de compra original. Para poder ser elegible para esta Garantía limitada, se requiere presentar el recibo original de la venta o un comprobante de compra sustituto comparable que lleve la fecha de la compra original. Consulte la caja original del producto o la página del producto/modelo específico en el sitio web de Guardian Technologies para consultar la duración de la garantía de su modelo en particular. Esta garantía aplica solamente para el comprador original de este producto, a partir de la fecha original de compra. Esta garantía cubre únicamente los productos comprados a distribuidores autorizados. Esta garantía no abarca a los productos de Guardian Technologies que se usen fuera de los Estados Unidos y Canadá ya que el artefacto debe conectarse directamente a una salida de electricidad de 120 V de CA sin el uso de un adaptador.

Esta garantía aplica para reparaciones o reemplazos de productos con defectos en el material o en la mano de obra. Esta garantía no aplica para los daños que se deriven del desgaste inusual; el uso comercial, abusivo, irrazonable, o daños suplementarios. Esta garantía no cubre los daños que se deriven de reparaciones no autorizadas, o de algún uso que no esté de acuerdo con este manual de instrucciones. Los defectos que se deriven del uso y desgaste normales no se considerarán defectos de fábrica bajo esta garantía.

Si durante el período de garantía se detecta que el producto está defectuoso, repararemos o reemplazaremos las piezas defectuosas sin ningún costo. Guardian Technologies LLC deberá realizar todas las reparaciones de garantía. Esta garantía le otorga derechos legales específicos y usted pudiera tener otros derechos adicionales (los cuales varían en cada estado de los EE.UU.)

Para presentar un producto para garantía, la máquina completa se debe enviar, con el envío pagado con anterioridad, a Guardian Technologies LLC. El envío debe contener la información completa, que incluye: el problema, el número de modelo del producto, el día de la compra y una copia del recibo de compra original, junto con su nombre, dirección y teléfono (correo electrónico opcional). Envíe el producto para devolución a: Departamento de Reparaciones, a la siguiente dirección. Si tiene alguna pregunta o comentario, puede llamar a la línea telefónica gratuita indicada más adelante.

EE.UU. y Canadá
Guardian Technologies LLC
26251 Bluestone Blvd.
Euclid, Ohio 44132
1.866.603.5900
www.guardiantechnologies.com

Visite www.guardiantechnologies.com para registrar su producto. Consideramos que el proceso de registro es importante para garantizar el servicio a nuestros clientes; sin embargo, el envío de la tarjeta de garantía es opcional y no afecta sus derechos para utilizar la garantía de acuerdo a las condiciones estipuladas anteriormente.

Se pueden obtener copias adicionales al acceder directamente a nuestro sitio web para imprimirlas, o al llamar al departamento de servicio al cliente.



Guardian Technologies LLC
26251 Bluestone Blvd. • Euclid, OH 44132
1.866.603.5900 • www.guardiantechnologies.com