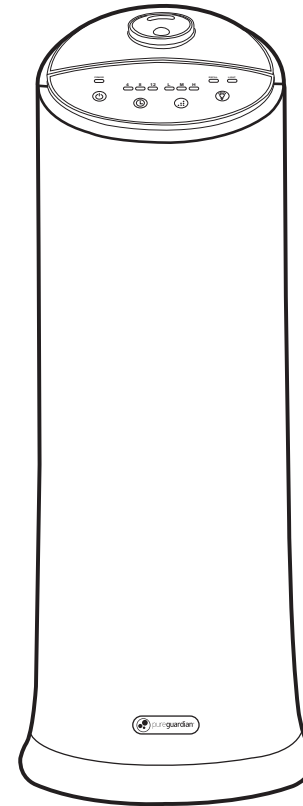




## USE & CARE INSTRUCTIONS



## Ultrasonic Tower Humidifier



**Guardian Technologies LLC**  
26251 Bluestone Blvd. • Euclid, OH 44132  
1.866.603.5900 • [www.guardiantechnologies.com](http://www.guardiantechnologies.com)

©2016 Guardian Technologies LLC

**Model No. H3200**  
3-Year Limited Warranty  
[www.guardiantechnologies.com](http://www.guardiantechnologies.com)  
1.866.603.5900  
REV0616

**English** E - 1  
**French** F - 1  
**Spanish** S - 1

Date Purchased  
month \_\_\_\_\_  
year \_\_\_\_\_

## READ AND SAVE THESE INSTRUCTIONS WARNINGS

Failure to comply with the warnings listed below may result in electric shock or serious injury.



This product should be used only in accordance with the specifications outlined in this manual. Usage other than what has been specified here may result in serious injury.

- CAUTION: To reduce the risk of severe burns, keep this product out of the reach of children and pets.
- Disassembly, repair or remodeling by an unauthorized person may result in serious harm and will void the manufactures warranty.
- Always place this humidifier on a firm, flat & level surface. This humidifier may not work properly on an uneven surface.
- Do not place this product on cloth, carpet or an absorbent surface. This may block air inlet.
- This product releases mist. Do not place this humidifier directly on wood furniture, flooring or any surfaces that could be damaged by water. Manufacturer does not accept any liability for damage in the case of the unit being placed incorrectly.
- Do not use if the plug is damaged or loose.
- Before filling or cleaning the unit, make sure it is unplugged.
- Once the humidifier has been plugged in, do not tilt or move the unit.
- Do not remove the water tank from the unit while it is on.
- Do not handle the plug with wet hands.
- Do not excessively bend, twist, pull or damage the power cord.
- Avoid placing this product where the humidity spout is pointed directly at an object or person.
- Do not inhale the mist/vapor expelled from the product or drink water from the tank.
- Do not fill the water tank with hot or boiling water.
- Do not use this product in direct sunlight or near a heat source such as a stove, heater or radiator.
- If the water tank becomes cracked or damaged, do not use.
- Do not keep this product running for an extended period of time.
- Unplug the cord when unit is not in use for an extended period of time and/or when no one is home.
- Do not keep water in the tank when not in use for an extended period of time.

**WARNING:** The cords, wires and/or cables supplied with this product contain chemicals, including lead or lead compounds, known to the state of California to cause cancer and birth defects or other reproductive harm. Wash hands after using.

(California code of regulations Proposition 65)

## READ AND SAVE THESE INSTRUCTIONS WARNINGS

Failure to comply with the warnings listed below may result in electric shock or serious injury.

- Do not clean the unit, water tank or water reservoir with detergents or chemicals of any kind.
- The use of water additives including ethereal/essential oils, fragrances, eucalyptus, water conditioners, etc. will damage the appliance materials and as a consequence the whole unit. Any use of such additives will void the manufactures warranty.
- Do not use this product near any other electronic device.
- Do not cover the spray spout at any time during use. Do not put anything on or in the tank.
- IMPORTANT: Neither humans nor animals can hear the high frequency vibrations.
- When unplugging from outlet hold humidifier securely.
- Do not place cord over objects.
- Do not get water in or on the power cord or where it connects to the product.
- Do not use near a sink.
- Do not touch the water tank during operation.
- Do not submerge the unit in water or pour water on the unit or in the humidity spout.
- When emptying water from water tank, pour on drain side.
- Do not cover the spout with cloth or hand and do not use without the spout.
- Use clean or distilled water in tank. Hard water areas will require more frequent cleaning.

# PRODUCT SPECIFICATIONS AND PARTS

## SPECIFICATIONS

**MODEL NUMBER:** H3200

**HUMIDIFYING MODE:** Cool Mist

**POWER SUPPLY:** AC120V; 60HZ

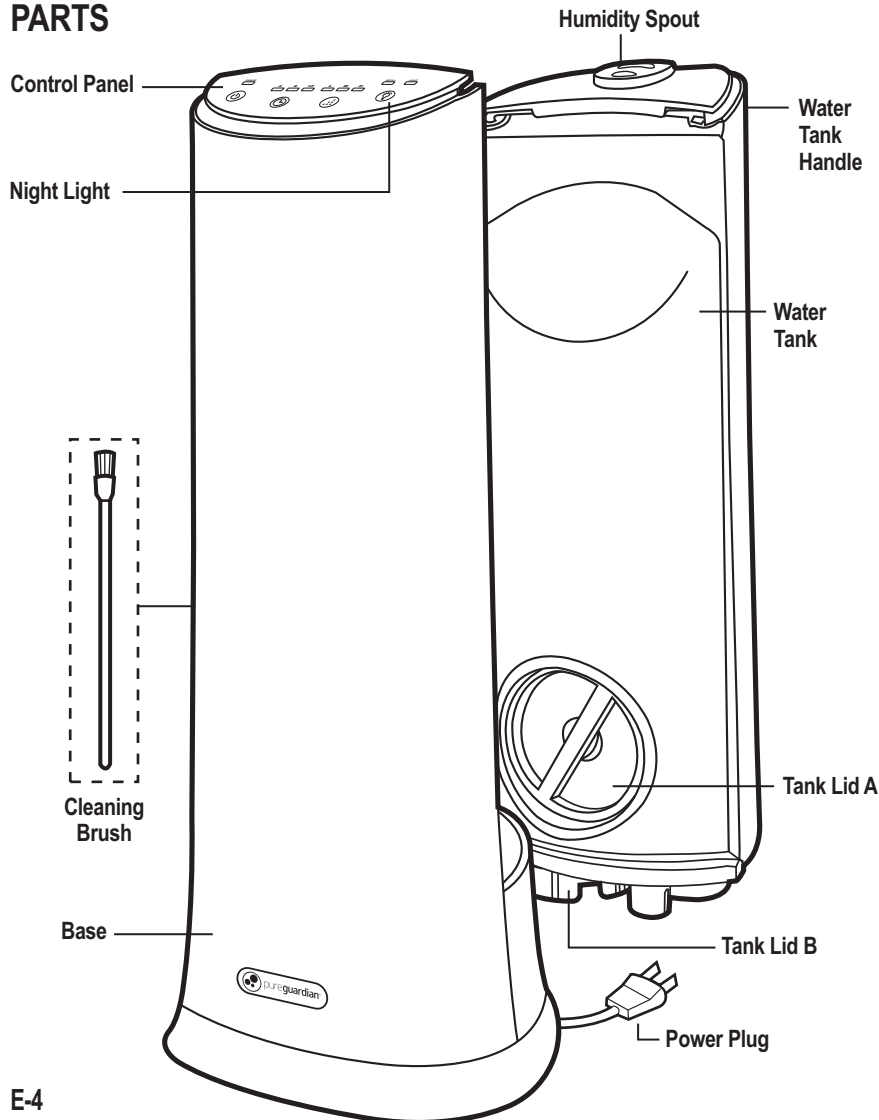
**POWER CONSUMPTION:** 30W

**TANK CAPACITY:** 1.5 gallons

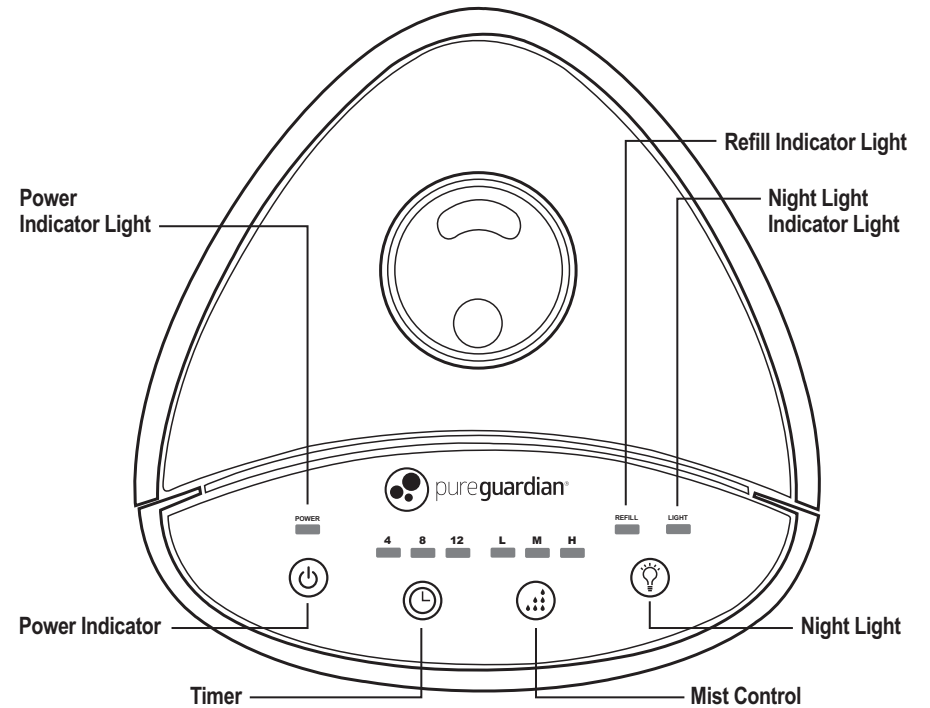
**DIMENSIONS:** 8.82" L x 8.74" W x 21.93" H

**WEIGHT:** 6.93 lbs. (not including packaging)

## PARTS



# CONTROL PANEL BUTTON FUNCTIONS



## FEATURE HIGHLIGHTS

### NIGHT LIGHT

An LED illuminates the tank for a soft glow night light.

### TIMER

Preset the humidifier to automatically turn off in 4, 8, or 12 hours.

### POWER

Turns humidifier ON/OFF.

### MIST CONTROL

The spray volume or amount of mist that is produced by the unit can be adjusted to three levels based on need.

### REFILL INDICATOR

When the Water Refill button lights up it is time to refill the water tank.

### SILVER CLEAN TECHNOLOGY

Unlike other humidifiers that grow slimy mold and mildew, the pureguardian™ Ultrasonic Humidifier uses Silver Clean™ technology embedded in the tank to fight the growth of mildew and mold on the surface of the water tank.

### CONTROL PANEL LIGHTS

Automatically shuts off after 5 seconds. It will light up again when any control button is pushed.

# DIRECTIONS FOR USE

## SET UP

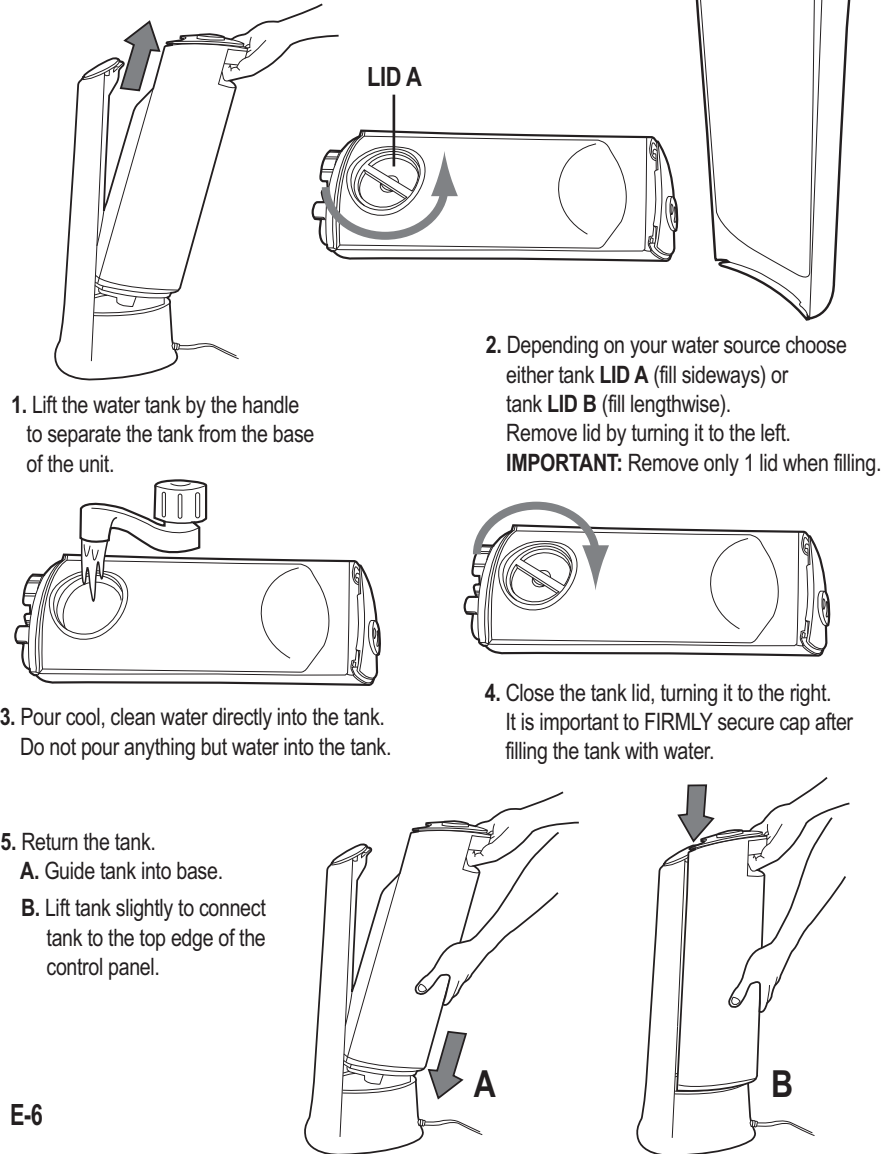
Select a firm, level, flat location - at least six inches (15 cm) from any wall or object for proper air flow. Place the humidifier on a water-resistant surface, as water can damage furniture and some flooring. Do not place unit directly on carpet, towels, blankets or other absorbent surfaces.

**Guardian Technologies will not accept responsibility for damage caused by water spillage.**

**NOTE:** Handle is designed to carry tank, not unit.

## FILLING

Make sure unit is unplugged.



1. Lift the water tank by the handle to separate the tank from the base of the unit.

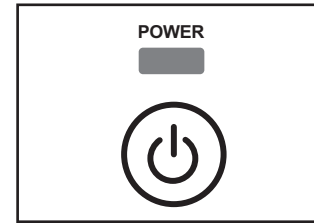
2. Depending on your water source choose either tank **LID A** (fill sideways) or tank **LID B** (fill lengthwise). Remove lid by turning it to the left. **IMPORTANT:** Remove only 1 lid when filling.

3. Pour cool, clean water directly into the tank. Do not pour anything but water into the tank.

4. Close the tank lid, turning it to the right. It is important to **FIRMLY** secure cap after filling the tank with water.

5. Return the tank.  
A. Guide tank into base.  
B. Lift tank slightly to connect tank to the top edge of the control panel.

# DIRECTIONS FOR USE

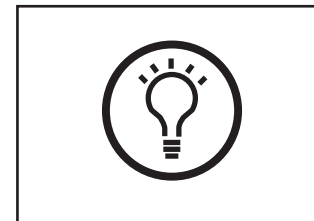


## POWER BUTTON

Before turning on make sure there is water in the unit. Press the Power Button.

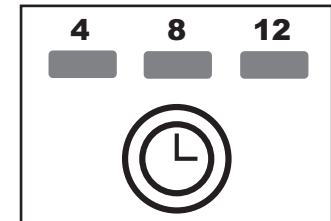
## CONTROL OPERATION

**NOTE:** If control panel lights are off - push any button to wake up, then proceed with control operation below.



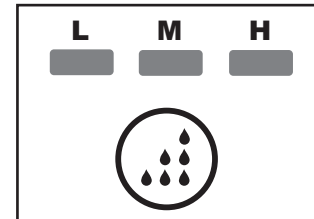
## 1. Night Light Feature

Press the Night Lamp button to turn night light on/off.



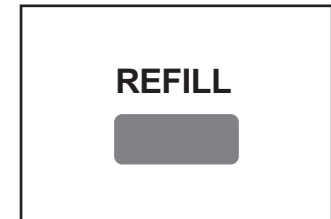
## 2. Timer

Press the Timer button to select either 4, 8, or 12 hours. The unit will turn off in that time.



## 3. Mist Control Button

When you press the Mist Control button there are three options:  
Press once for **LOW**  
Press twice for **MEDIUM\***  
Press three times for **HIGH**  
\*Medium is default setting.



## 4. Water Refill Indicator

When the unit is low on water the Refill LED on the front panel will light up, and the unit will shut off. Simply add more water to continue use. Unit will automatically resume running when water tank has been refilled.

**NOTE:** The humidifier is equipped with a safety device that will automatically shut the unit off when activated. To restart, unplug for 5 seconds, replug then press the power button. If the unit continues to shut down, there may still be an abnormal condition and the unit may need service. Call Customer Service at 1-800.603.5900.

## CLEANING

### CLEANING

- Always unplug the unit before servicing in any way.
- The water temperature of the water remaining in the unit after use may be high, allow time for it to cool.

### GENERAL CLEANING

- **Inside the base of the unit.** Pour excess water out of the unit. Wash out the unit with fresh water using the cleaning brush and a soft cloth as needed. **Do not submerge the base of the unit into water, or allow water to enter inside the dry air exhaust port of the unit.**
- **Water tank.** Empty water tank. Remove mist nozzle and clean the mist tube with fresh water and a light brush (bottle cleaning brush is recommended).
- **Outer surface of the unit.** Wipe the surface of the unit with a soft, damp cloth if needed. If you notice an accumulation of water during usage, reduce humidity and dry outer surface with a cloth.

### DESCALING

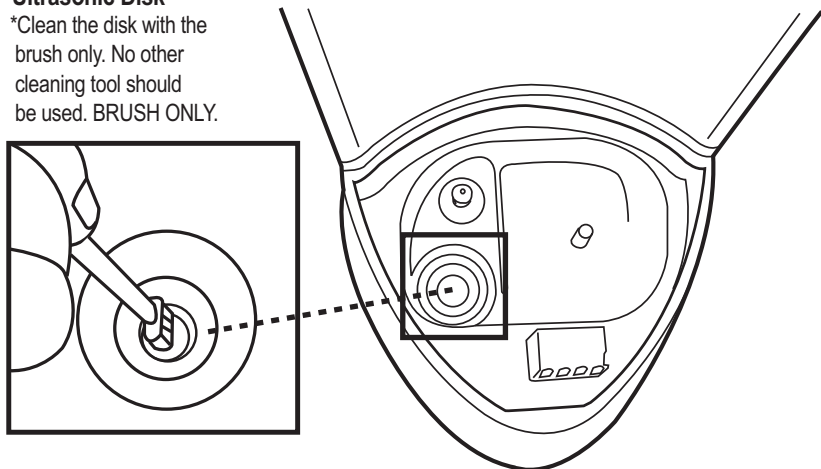
- Depending on usage and water type, cleaning to remove scale may be required weekly or every other week to optimize unit performance.
- If you live in a hard water area, we recommend the use of distilled water for your humidifier. This will help reduce the precipitation of minerals or 'white dust'.
- Do not clean the unit or water tank with detergents or cleaning chemicals of any kind.

### ULTRASONIC DISK

1. Unplug unit.
2. Remove the tank and empty all water from unit base and tank.
3. Locate the ultrasonic disk on the inside center of the base unit. (see pg. E-4)
4. Use ONLY the enclosed cleaning brush to gently clean disk and remove build up and deposits. **Do not scrub or scrape the ultrasonic disk.**

#### Ultrasonic Disk

\*Clean the disk with the brush only. No other cleaning tool should be used. BRUSH ONLY.



## CLEANING

### CLEANING

If scale becomes difficult to remove with brush:

1. Fill the Base with: mixture of 1 tsp. white vinegar and 1 tsp. water.
2. Let solution stand for 5 minutes.
3. With the vinegar in the Base, clean all interior surfaces with a soft cloth or brush to help remove scale.
4. Also check mist nozzle and mist tube in water tank. Clean as needed.
5. Rinse the Base thoroughly with water to remove scale and vinegar solution.

**Are minerals in your water producing white dust?**

Try Decalcification Cartridge **FLTDC20**.

Look for cartridge **2** at your local retailer or visit

[www.guardiantechnologies.com](http://www.guardiantechnologies.com)



### END OF SEASON STORAGE

- Follow the Cleaning and Descaling instructions when the humidifier will be stored at the end of the season.
- Dry the humidifier completely before storing. **DO NOT** store with water inside the Base or Water Tank.
- Pack the unit in its original carton and store in a cool, dry location.

**NOTE: IF YOU EXPERIENCE A PROBLEM DO NOT ATTEMPT TO OPEN THE MOTOR HOUSING YOURSELF. DOING SO MAY VOID YOUR WARRANTY AND CAUSE DAMAGE TO THE HUMIDIFIER OR PERSONAL INJURY.**

## TROUBLE SHOOTING GUIDE

PROBLEM	SOLUTION
Water vapor and humidity are not produced.	Power Plug: Unplug and then try again. Power Failure: When the power is returned, try again. Tank Installation: Make sure the tank is correctly attached. The surface of the ultrasonic disk is dirty: Clean ultrasonic disk. (see pg. E-8)
Air blows but water vapor is not produced.	Excessive Water: Remove a certain amount of water from the tank. Increase mist setting. Detergent residue and/or oil ingredients from cosmetics, etc may be in tank; wash out tank and try again. The surface of the ultrasonic disk is dirty: Clean ultrasonic disk. (see pg. E-8) If you use hard water, replace with softer water.
Humidity level is low.	The surface of the ultrasonic disk is dirty: Clean ultrasonic disk. (see pg. E-8) The water in the unit is too cold: Replace with cool, but not cold water. Damage on the ultrasonic disk: Contact Customer Service 1.866.603.5900
The humidity has a bad smell.	Poor maintenance or dirty water: Clean the product thoroughly, and fill it with fresh water. (see pg. E-8)
White dust is forming on nearby furniture.	Hard water may deposit a certain amount of dust. Dust in the air also settles because of added humidity in the room. Use distilled water if this becomes a nuisance. FLTDC20 filter is available at <a href="http://www.guardiantechnologies.com">www.guardiantechnologies.com</a> or through customer service 1.866.603.5900
Unit has stopped working.	No or low water. Unplug unit and refill tank.
Unit shuts off unexpectedly or does not operate.	Check that the safety device triggered. To restart, unplug for 5 seconds, replug then press the power button. Call Customer Service 1.866.603.5900.
Water is accumulating outside of unit or area surrounding unit.	Saturation of humidity. Lower mist control setting. Unit not level and water is accumulating. Unplug and place on level surface. Point spray away from objects. Raise unit on a water-resistant level surface 2-3 feet off of floor.
Water dripping when refilling.	Water remaining on bottom of tank. Wipe tank or tilt to drain before transporting. Make sure both A and B tank caps are secured tightly.
Increased noise level.	Unit must be placed on a flat, level, hard surface. Make sure it is NOT placed on a soft or absorbent surface.

## LIMITED WARRANTY

To the consumer, Guardian Technologies LLC warrants this product to be free of defects in materials or workmanship commencing upon the date of the original purchase. Save your original sales receipt to validate start of warranty period. Warranty is not valid without receipt. If this product should become defective within the warranty period, we will repair or replace any defective parts free of charge. All warranty repairs must be completed by Guardian Technologies LLC. This warranty **does not cover unauthorized repairs**. The warranty does not include unusual wear, damage resulting from accident, or unreasonable use of the product. This warranty only covers the product when used with **genuine Guardian Technologies accessories**. This warranty covers product that was purchased from authorized distributors. This warranty gives you specific legal rights and you may also have other rights (other rights may vary from state to state in the U.S.A.)

**The product warranty registration can be completed online at [www.guardiantechnologies.com](http://www.guardiantechnologies.com).** We consider the registration process important to ensuring superior service to our customers, however submitting the warranty registration is optional and does not affect your rights to utilize this warranty according to the conditions stated above. To submit product under warranty the complete machine must be delivered pre-paid to Guardian Technologies LLC. Please include complete information including: the problem, the model number of the product, the day of purchase, and a copy of the original sales receipt along with your name, address, and telephone (email optional). Address returns to the attention of: Customer Service, at the address below. Additional questions or comments can be made toll free to the number listed below.

**Guardian Technologies LLC**  
**26251 Bluestone Blvd. • Euclid, Ohio 44132**  
**1.866.603.5900**  
**[www.guardiantechnologies.com](http://www.guardiantechnologies.com)**

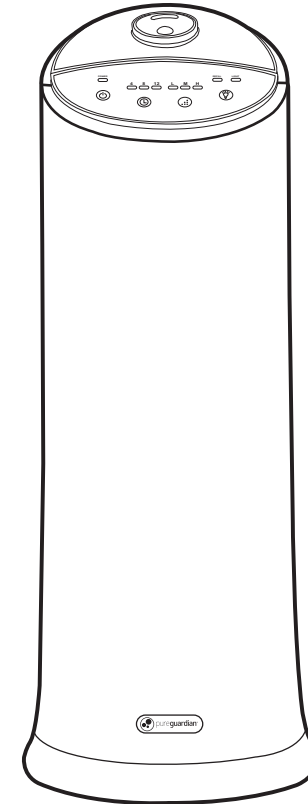


This product has been tested and complies with the requirements for Federal Communications Commission, Part 18 for Radio/TV/Communication interference. Although tested, it may affect these devices. If the humidifier is found to interfere, separate the device and/or the humidifier. Conduct only the user maintenance found in this manual. Other maintenance and servicing can cause harmful interference and can void the required FCC compliance.

**Additional copies of the instruction manual can be obtained by accessing and printing directly from our website or calling customer service.**



## UTILISATION ET INSTRUCTIONS D'ENTRETIEN



### Humidificateur à tour ultrasonique



**Guardian Technologies LLC**  
26251 Bluestone Blvd. • Euclid, OH 44132  
1.866.603.5900 • [www.guardiantechnologies.com](http://www.guardiantechnologies.com)

©2016 Guardian Technologies LLC

**Modèle n° H4810**

Garantie limitée de trois (3) ans.  
[www.guardiantechnologies.com](http://www.guardiantechnologies.com)  
1 866 603-5900  
RÉV 0616

Anglais E - 1  
Français F - 1  
Espagnol S - 1

Date d'achat  
mois \_\_\_\_\_  
année \_\_\_\_\_

## LISEZ ET CONSERVEZ CES INSTRUCTIONS AVERTISSEMENTS

Le non-respect des avertissements mentionnés ci-dessous peut provoquer une décharge électrique ou des blessures graves.



Ce produit doit être utilisé en conformité avec les directives indiquées dans le présent manuel. De graves blessures peuvent résulter d'un usage du produit autre que celui indiqué dans le présent manuel.

- **AVERTISSEMENT** : Pour réduire le risque de brûlures graves, gardez l'appareil hors de portée des enfants et des animaux de compagnie.
- Le démontage, la transformation ou la réparation de l'appareil par une personne non autorisée peuvent engendrer de graves blessures et annuleront la garantie du fabricant.
- Installez toujours l'appareil sur une surface de niveau, plane et stable. Cet humidificateur peut ne pas fonctionner correctement sur une surface irrégulière.
- N'installez pas l'appareil sur du tissu, de la moquette ou une surface absorbante, car cela pourrait en obstruer l'entrée d'air.
- Cet appareil émet de la vapeur. Ne placez pas cet humidificateur directement sur des meubles ou un plancher en bois, ni sur des surfaces pouvant être endommagés par de l'eau. Le fabricant décline toute responsabilité pour tout dommage survenant à la suite du mauvais positionnement de l'appareil.
- N'utilisez pas l'appareil si la prise est endommagée ou desserrée.
- Veillez à débrancher l'appareil avant de le nettoyer ou de remplir le réservoir d'eau.
- Une fois que l'humidificateur est branché, ne l'inclinez pas et ne le déplacez pas.
- Ne retirez pas le réservoir d'eau lorsque l'appareil est en marche.
- Ne manipulez pas la prise de l'appareil avec des mains mouillées.
- Évitez de plier, tordre ou tirer le cordon d'alimentation de façon excessive.
- Évitez de placer cet appareil à un endroit où le bec de vaporisation est orienté directement vers un objet ou une personne.
- N'inhalez pas la vapeur émise par cet appareil et ne buvez pas l'eau du réservoir.
- Ne remplissez pas le réservoir d'eau chaude ni d'eau bouillante.
- N'utilisez pas cet appareil à la lumière directe du soleil ou près d'une cuisinière, d'un chauffe-eau ou d'un radiateur.
- N'utilisez pas l'appareil si le réservoir est fissuré ou endommagé.

**AVERTISSEMENT** : Les cordons, fils électriques et/ou câbles fournis avec cet appareil contiennent des produits chimiques, y compris du plomb ou des composés du plomb, reconnus par l'état de Californie comme pouvant causer le cancer, des malformations congénitales et d'autres problèmes de santé génésique. lavezvous les mains après toute utilisation.

(Code de réglementation de la Californie – proposition 65).

## LISEZ ET CONSERVEZ CES INSTRUCTIONS AVERTISSEMENTS

Le non-respect des avertissements mentionnés ci-dessous peut provoquer une décharge électrique ou des blessures graves.

- Ne laissez pas cet appareil fonctionner pendant une période prolongée.
- Débranchez l'appareil lorsqu'il n'est pas utilisé pendant une période prolongée ou lorsque personne n'est à la maison.
- Ne laissez pas d'eau dans le réservoir lorsque vous n'utilisez pas l'appareil pendant une période prolongée.
- Ne nettoyez jamais l'appareil ni le réservoir d'eau avec des détergents ou des produits chimiques, quels qu'ils soient.
- L'utilisation de tout additif dans l'eau, notamment huiles essentielles/éthérées, parfums, eucalyptus, adoucisseurs, etc., risque d'endommager les matériaux de l'appareil, et donc l'appareil lui-même.
- N'utilisez pas cet appareil à proximité d'un autre appareil électronique.
- Ne recouvrez jamais le bec de vaporisation pendant le fonctionnement de l'appareil. Ne placez rien sur ou dans le réservoir.
- **IMPORTANT** : Ni les hommes, ni les animaux ne peuvent entendre les vibrations haute fréquence.
- Tenez fermement l'appareil lorsque vous le débranchez.
- Ne faites pas passer le cordon électrique par-dessus des objets.
- Ne mouillez pas le cordon d'alimentation, ni la prise de l'appareil. N'utilisez pas l'appareil près d'un évier.
- Ne touchez pas le réservoir d'eau pendant le fonctionnement de l'appareil.
- N'immergez pas l'appareil et ne versez pas d'eau sur l'appareil ni sur le bec de vaporisation.
- Videz toujours l'eau du réservoir du côté de l'orifice d'évacuation.
- Ne recouvrez pas le bec de vaporisation avec un chiffon ou avec votre main, et n'utilisez jamais l'appareil sans le bec de vaporisation.
- Utilisez toujours de l'eau douce ou distillée dans le réservoir l'eau. Dans les régions où l'eau est dure, un nettoyage plus fréquent sera nécessaire.



# SPÉCIFICATIONS DE L'APPAREIL ET PIÈCES

## SPÉCIFICATIONS

NUMÉRO DE MODÈLE: H3200

MODE D'HUMIDIFICATION : Cool Mist

ALIMENTATION ÉLECTRIQUE : AC120V; 60HZ

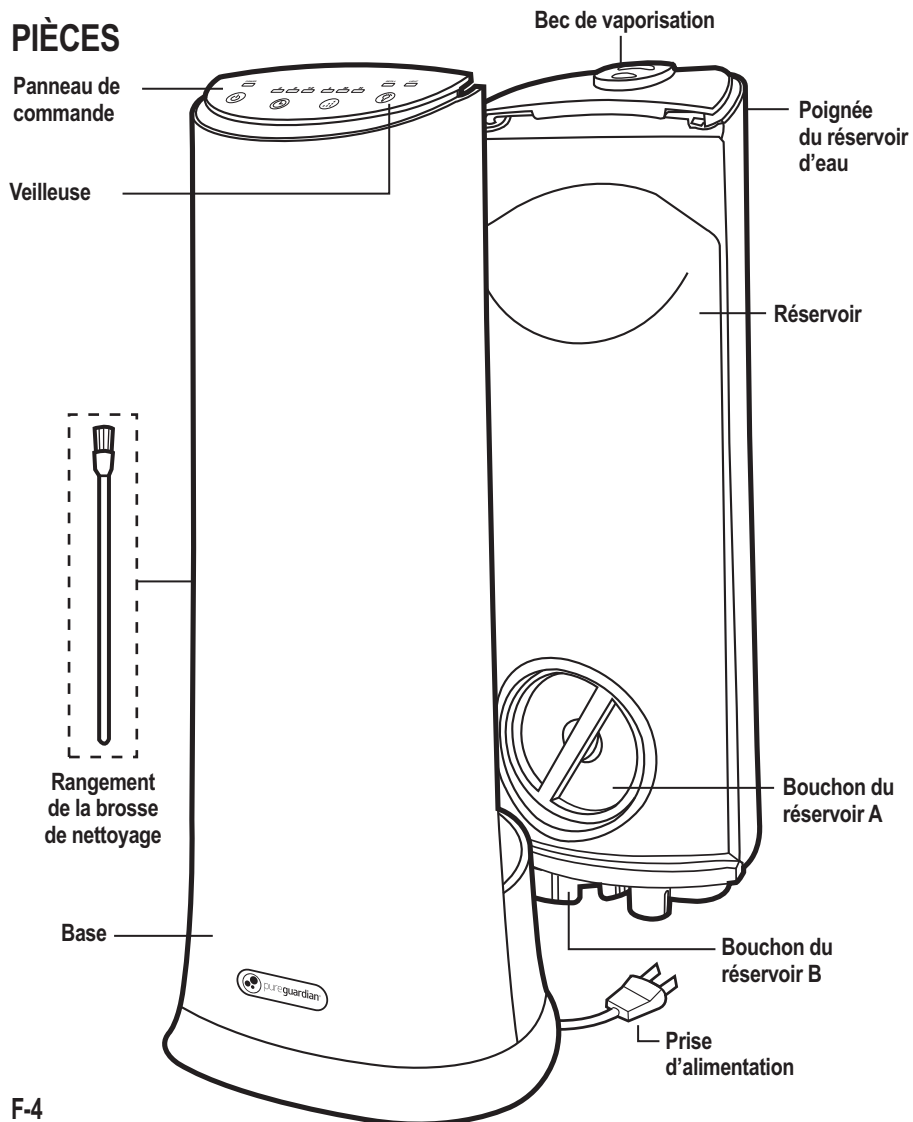
CONSOMMATION ÉLECTRIQUE : 30W

CAPACITÉ DU RÉSERVOIR : 3,8 L (1.5 gal)

DIMENSIONS : longueur : 22.4 cm; largeur : 22.2 cm; hauteur : 55.7 cm

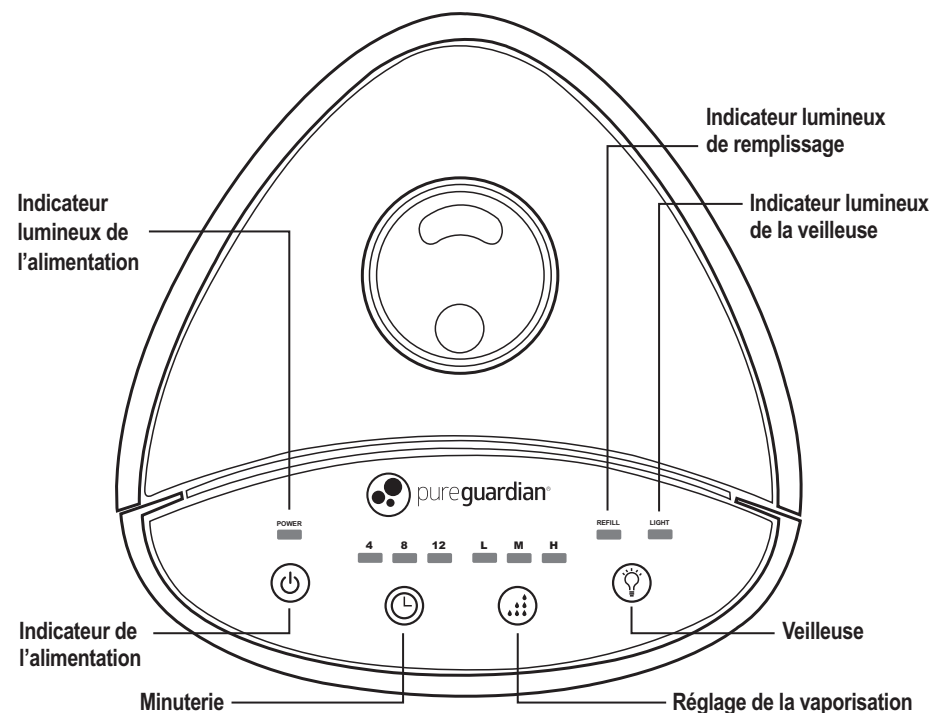
POIDS : 3.14 kg (6,93 lb) (emballage non compris)

## PIÈCES



F-4

# FONCTIONS DES BOUTONS DU PANNEAU DE COMMANDE



## CARACTÉRISTIQUES CLÉS

### VEILLEUSE

Une DEL illumine le réservoir d'une lueur douce.

### MINUTERIE

Permet de régler l'arrêt automatique de l'humidificateur à 4, 8 ou 12 heures.

### MARCHE/ARRÊT

Permet de mettre en marche ou d'arrêter (ON/OFF) l'humidificateur.

### RÉGLAGE DE LA VAPORISATION

Le volume de vaporisation (ou quantité de vapeur) émis par l'appareil peut être réglé selon les besoins de l'utilisateur.

### VOYANT DE REMPLISSAGE D'EAU

When the Water Refill button lights up it is time to refill the water tank.

### TECHNOLOGIE SILVER CLEAN

Contrairement à d'autres humidificateurs dans lesquels les moisissures visqueuses prolifèrent, l'humidificateur ultrasonique pureguardian™ fait appel à la technologie Silver Clean™ intégrée au réservoir d'eau pour combattre la prolifération des moisissures sur sa surface.

### ÉCLAIRAGE DU PANNEAU DE COMMANDE

S'éteint automatiquement après 5 secondes. S'allume de nouveau lorsque l'on appuie sur tout bouton.

F-5

## MODE D'EMPLOI

### SET UP

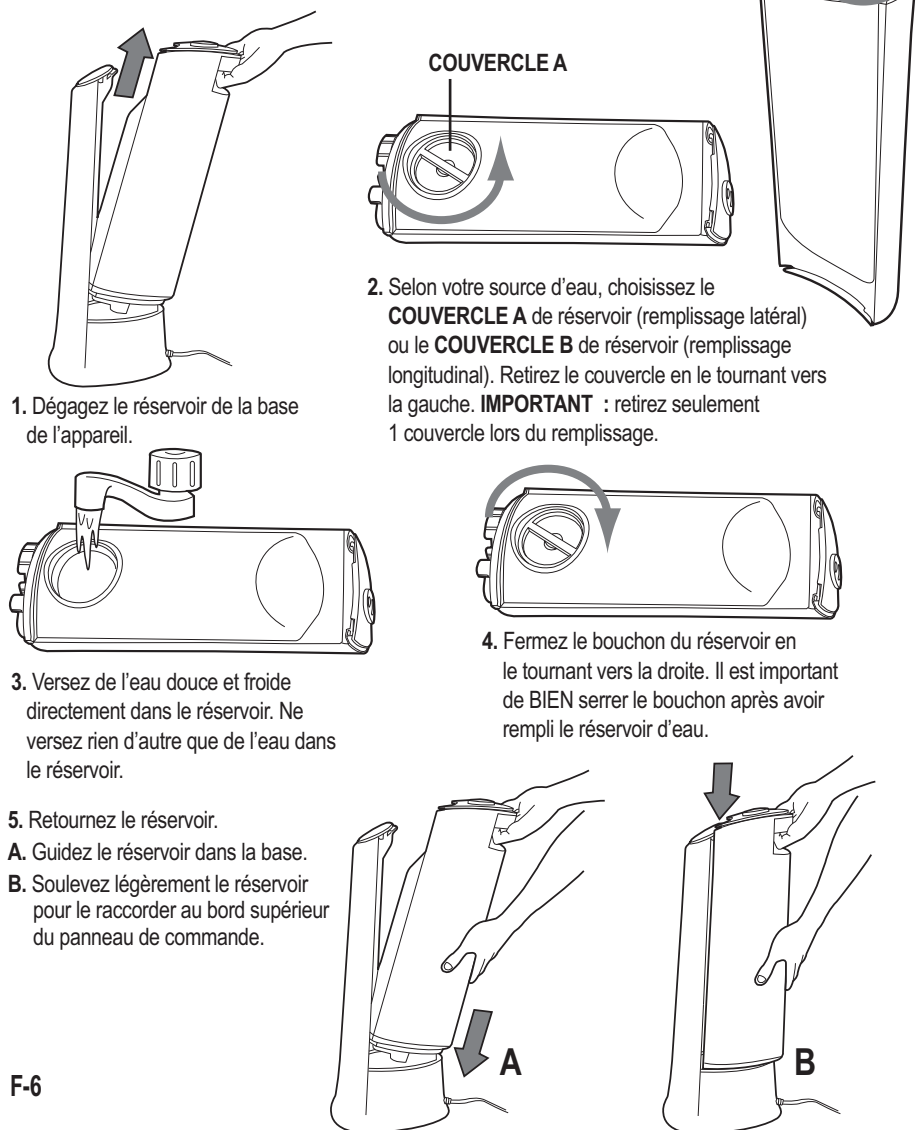
Choisissez un endroit à la surface de niveau, plane et stable, à 15 cm (6 po) au moins de tout mur ou de tout objet pour assurer un bon flux d'air. Installez l'humidificateur sur une surface imperméable, puisque la vapeur d'eau peut endommager les meubles et certains planchers. N'installez pas l'appareil directement sur de la moquette, des serviettes, des couvertures ou toute autre surface absorbante.

**Guardian Technologies décline toute responsabilité pour tout dommage causé par de l'eau renversée.**

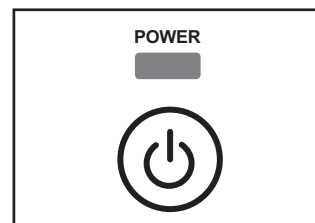
**REMARQUE** : la poignée est conçue pour transporter le réservoir, non l'appareil.

### REPLISSAGE

Vérifiez que l'appareil est débranché.



## MODE D'EMPLOI

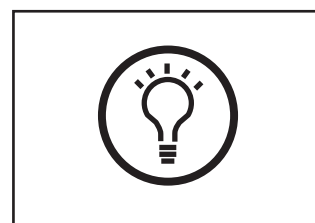


### 6. Bouton Marche/Arrêt

Avant de mettre en marche l'appareil, vérifiez qu'il y a de l'eau dans le réservoir. Appuyez sur le bouton Marche/Arrêt.

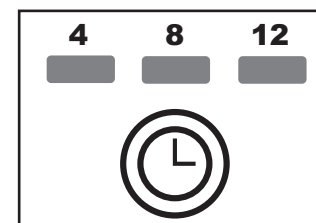
### UTILISATION BOUTONS DE COMMANDE

**REMARQUE** : Si les voyants du panneau de commande sont éteints, appuyez sur tout bouton une seule fois pour démarrer, puis continuez avec l'opération de contrôle ci-dessous.



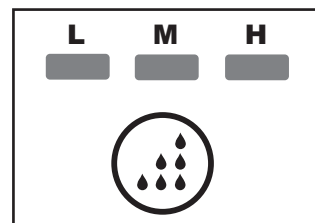
### 1. Caractéristique de la veilleuse

Appuyez sur le bouton Veilleuse pour allumer et éteindre la veilleuse.



### 2. Minuterie

Appuyez sur le bouton de la minuterie pour sélectionner une durée de 4, 8 ou 12 heures. L'appareil s'éteint automatiquement au bout de cette durée.



### 3. Bouton de réglage de la vaporisation

Appuyer sur le bouton de réglage de la vaporisation vous donne trois options : Appuyez une fois pour une vaporisation FAIBLE. Appuyez deux fois pour une vaporisation MOYENNE\*. Appuyez trois fois pour une vaporisation ÉLEVÉE. \*Par défaut, la vaporisation est réglée sur MOYENNE.



### 4. Voyant de remplissage d'eau

Lorsque le niveau d'eau du réservoir est bas, le voyant DEL de remplissage s'allume sur le panneau avant et l'appareil s'éteint automatiquement. Ajoutez simplement de l'eau pour continuer l'utilisation de l'appareil. L'appareil se remet automatiquement en marche une fois le réservoir d'eau rempli.

**Remarque** : Le système de humidificateur est équipé d'une protection. Lorsque cette protection est activée, le voyant d'avertissement de surcharge s'allume et coupe l'alimentation. Pour redémarrer, débranchez pendant 5 sec/rebranchez puis appuyez sur le bouton d'alimentation. Si l'appareil continue à se désactiver, une condition anormale pourrait encore être présente et l'appareil pourrait avoir besoin d'une vérification. Appeler le Service à la clientèle au 1 800 603-5900.

## NETTOYAGE

### NETTOYAGE

- Débranchez toujours l'appareil avant d'effectuer tout entretien.
- La température de l'eau restée dans le réservoir pouvant être élevée, laissez-la refroidir.

### NETTOYAGE GÉNÉRAL

- **Intérieur de la base de l'appareil.** Retirez l'excédent d'eau de l'appareil. Nettoyez l'appareil à l'eau douce, à l'aide de la brosse de nettoyage et d'un chiffon doux, au besoin. **N'immergez pas la base de l'appareil et ne laissez pas d'eau pénétrer dans le port de la buse d'évacuation d'air sec de l'appareil.**
- **Réservoir d'eau.** Videz le réservoir. Retirez le bec de vaporisation et nettoyez le tube de vaporisation à l'eau douce et avec une brosse non abrasive (un goupillon à bouteille est recommandé).
- **Extérieur de l'appareil.** Essuyez la surface de l'appareil à l'aide d'un chiffon doux et humide, au besoin. Si vous remarquez une accumulation d'eau pendant le fonctionnement de l'appareil, réduisez l'humidité et essuyez la surface extérieure à l'aide d'un chiffon.

### DÉTARTRAGE

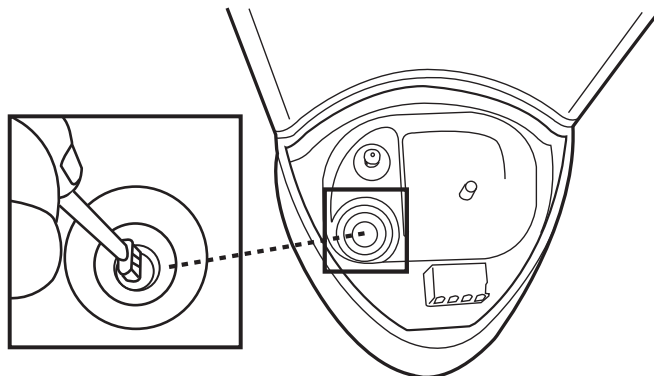
- Selon l'utilisation et la dureté de l'eau, il peut être nécessaire de détartrer l'appareil une fois par semaine, ou une semaine sur deux, pour assurer la performance optimale de l'appareil.
- Si vous vous trouvez dans une zone où l'eau est dure, nous vous recommandons d'utiliser de l'eau distillée dans votre humidificateur. Cela aide à réduire le dépôt de minéraux ou de « poussière blanche ».
- Ne nettoyez jamais l'appareil ni le réservoir avec des détergents ou des produits chimiques de nettoyage, quels qu'ils soient.

### DISQUE ULTRASONIQUE

1. Débranchez l'appareil.
2. Retirez le réservoir et videz toute l'eau de la base de l'appareil et du réservoir.
3. Repérez le disque ultrasonique à l'intérieur et au centre de la base de l'appareil. (cf. p F-4)
4. Utilisez UNIQUEMENT la brosse de nettoyage incluse pour nettoyer doucement le disque et retirez les dépôts de matière. **Ne frottez pas et ne grattez pas le disque ultrasonique.**

#### Disque ultrasonique

\*Nettoyez le disque uniquement avec la brosse fournie. Aucun autre accessoire de nettoyage ne doit être utilisé. **BROSSE UNIQUEMENT.**



## NETTOYAGE

### Si le tartre est difficile à retirer avec la brosse :

1. Remplissez la base avec : une solution faite de 1 cuillère à café de vinaigre blanc et de 1 cuillère à café d'eau.
2. Laissez cette solution agir 5 minutes.
3. Pendant que le vinaigre agit dans la base, nettoyez toutes les surfaces intérieures à l'aide d'un chiffon doux ou d'une brosse pour retirer tout dépôt de tartre.
4. Vérifiez aussi le bec et le tube de vaporisation dans le réservoir d'eau. Nettoyez-les au besoin.
5. Rincez bien la base à l'eau pour retirer le tartre et la solution au vinaigre.

### Les minéraux de votre eau produisent-ils une poussière blanche?

Essayez une cartouche anti-tartre. **FLTDC20.**

Procurez-vous une cartouche anti-tartre **2** chez votre détaillant local ou consultez le site :

[www.guardiantechnologies.com](http://www.guardiantechnologies.com)



### ENTREPOSAGE EN FIN DE SAISON

- Suivez les instructions de nettoyage et de détartrage lorsque vous pensez entreposer l'humidificateur en fin de saison.
- Laissez sécher l'humidificateur complètement avant de l'entreposer. NE laissez PAS d'eau dans la base ou dans le réservoir lors de l'entreposage de l'appareil.
- Remettez l'appareil dans son carton d'origine et entreposez-le dans un endroit frais et sec.

**REMARQUE : SI VOUS RENCONTREZ UN PROBLÈME QUEL QU'IL SOIT, NE TENTEZ PAS D'OUVRIER VOUS-MÊME LE COMPARTIMENT DU MOTEUR. AGIR DE LA SORTE RISQUE D'ANNULER VOTRE GARANTIE, D'ENDOMMAGER L'HUMIDIFICATEUR OU DE CAUSER DES BLESSURES.**

## GUIDE DE DÉPANNAGE

PROBLÈME	SOLUTION
Aucune vapeur ni aucune humidité ne sont émises.	Prise d'alimentation : débranchez l'appareil et rebranchez-le pour réessayer. Panne de courant : réessayez une fois la panne terminée. Installation du réservoir : vérifiez que le réservoir est correctement installé. La surface du disque ultrasonique est sale : nettoyez le disque ultrasonique. (cf. p F-8)
L'air circule, mais aucune vapeur n'est émise.	Trop d'eau : retirez un peu d'eau du réservoir. Augmentez le réglage de la vapeur. Le réservoir contient peut-être des résidus de détergent et/ou d'huile de cosmétiques, etc. : lavez le réservoir et réessayez. La surface du disque ultrasonique est sale : nettoyez le disque ultrasonique. (cf. p F-8) Si vous utilisez de l'eau dure, remplacez-la par de l'eau douce.
Le taux d'humidité est bas.	La surface du disque ultrasonique est sale : nettoyez le disque ultrasonique. (cf. p F-8) L'eau dans l'appareil est trop froide : remplacez l'eau avec de l'eau fraîche, mais pas froide. Le disque ultrasonique est endommagé : communiquez avec le service clientèle au 1 866 603-5900.
L'humidité émise a une mauvaise odeur.	Piètre entretien ou eau croupie : nettoyez à fond l'appareil et remplissez-le d'eau douce. (cf. p F-8)
Une poussière blanche se dépose sur les meubles à proximité de l'appareil.	L'utilisation d'une eau dure peut occasionner le dépôt d'une certaine quantité de poussière. La poussière dans l'air se tasse également en raison de l'augmentation du taux d'humidité dans la pièce. Si ce phénomène devient gênant, utilisez une eau distillée. * Filtre de décalcification (FLTDC) à votre disposition à l'adresse <a href="http://www.guardiantechnologies.com">www.guardiantechnologies.com</a> et par le biais de notre service clientèle au numéro 1 866 603-5900.
L'appareil s'est arrêté.	Absence d'eau ou niveau d'eau trop bas. Débranchez l'appareil et remplissez le réservoir.
Si l'appareil s'arrête intempestivement ou ne fonctionne pas.	Vérifier que la protection du moteur est déclenchée. Pour redémarrer, débranchez pendant 5 sec/rebranchez puis appuyez sur le bouton d'alimentation. Communiquer avec le Service à la clientèle au 1 866 603-5900.
De l'eau s'accumule à l'extérieur ou autour de l'appareil.	Trop d'humidité. Réglez la vaporisation à un niveau plus faible. L'appareil n'est pas de niveau et de l'eau s'accumule autour. Débranchez l'appareil et placez-le sur une surface de niveau. Orientez le bec de vaporisation de manière à ce qu'il ne soit pas dirigé vers des objets. Élevez l'appareil sur une surface imperméable de 500 cm à 1 000 cm (de 2 pi à 3 pi) au-dessus du plancher.
Fuite d'eau lors du remplissage.	De l'eau reste au fond du réservoir. Essayez le réservoir ou inclinez-le pour le vider avant de le transporter. Assurez-vous que les bouchons de réservoir A et B sont bien fixés en place.
Niveau de bruit accru.	L'appareil doit être placé sur une surface de niveau, plane et stable Assurez-vous que l'appareil n'est PAS placé sur une surface instable et absorbante.

## GARANTIE LIMITÉE

Guardian Technologies LLC garantit au consommateur que cet appareil est exempt de défauts matériels ou de fabrication, à partir de la date d'achat originale. Veuillez garder votre reçu de vente original pour justifier la date d'entrée en vigueur de la période de garantie. Sans reçu, la garantie devient nulle et non avenue.

Si cet appareil s'avère défectueux pendant la période de garantie, nous réparerons ou remplacerons toutes les pièces défectueuses gratuitement. Toute réparation couverte par la présente garantie doit être effectuée par Guardian Technologies LLC. La présente garantie **ne couvre pas les réparations non autorisées**. La présente garantie ne couvre pas l'usure inhabituelle et les dommages causés par accident ou par une utilisation déraisonnable de l'appareil. La présente garantie ne couvre l'appareil que s'il est utilisé conjointement à des accessoires d'origine de Guardian Technologies. La garantie couvre uniquement un appareil acheté auprès de distributeurs agréés. La présente garantie vous donne certains droits juridiques. Vous pouvez également bénéficier d'autres droits (les droits peuvent varier d'un État à l'autre aux États-Unis).

### L'enregistrement de garantie de l'appareil peut se faire en ligne à l'adresse

**[www.guardiantechnologies.com](http://www.guardiantechnologies.com)**. Nous considérons le processus d'enregistrement comme important afin d'assurer un service supérieur à notre clientèle. Cependant, l'envoi de cette carte de garantie est facultatif et n'affectera en rien vos droits de faire valoir cette garantie en accord avec les conditions susmentionnées. Pour faire valoir la présente garantie, l'appareil complet doit être envoyé en port payé à Guardian Technologies LLC. Veuillez fournir des informations exhaustives, notamment : spécifiez la nature du problème, le numéro de modèle, la date d'achat, et incluez vos nom, adresse et numéro de téléphone (courriel facultatif) ainsi qu'une copie du reçu de vente original. Retournez l'appareil à l'attention de : Customer Service, et à l'adresse indiquée ci-après. Posez vos questions ou faites part de vos commentaires au numéro sans frais indiqué ci-après.

**Guardian Technologies LLC**  
**26251 Bluestone Blvd. • Euclid, Ohio 44132**  
**1.866.603.5900**  
**[www.guardiantechnologies.com](http://www.guardiantechnologies.com)**

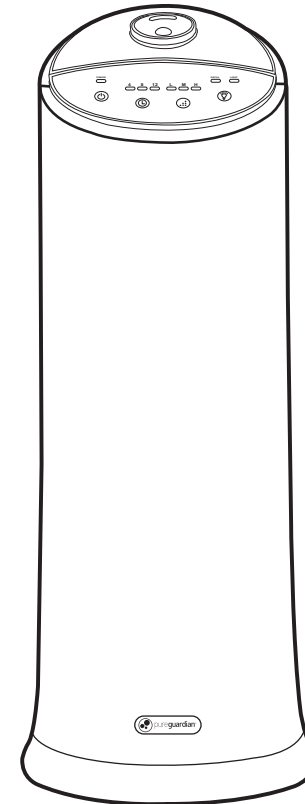


Cet appareil a été testé et déclaré conforme aux exigences requises selon la section 18 sur les interférences liées à la radio, à la télévision et autres appareils de communication de la Federal Communications Commission (FCC - Commission fédérale des communications). Bien que testé, cet appareil pourrait créer des interférences sur ceux susmentionnés. Si l'humidificateur provoque des interférences, écartez l'appareil et/ou l'humidificateur. Effectuez l'entretien uniquement suivant les indications fournies dans le présent manuel. Toute autre opération d'entretien ou de maintenance pourrait provoquer des interférences préjudiciables et annuler la conformité requise aux exigences de la FCC.

**Des copies supplémentaires de ce manuel d'utilisation peuvent être obtenues sur notre site Internet puis imprimées, ou en appelant le service à la clientèle.**



# INSTRUCCIONES DE USO Y CUIDADO



## Humidificador Ultrasonico en Torre



**Guardian Technologies LLC**  
26251 Bluestone Blvd. • Euclid, OH 44132  
1.866.603.5900 • [www.guardiantechnologies.com](http://www.guardiantechnologies.com)

©2016 Guardian Technologies LLC

**Modelo No. H3200**

Garantía limitada por 3 años  
[www.guardiantechnologies.com](http://www.guardiantechnologies.com)  
1.866.603.5900

REV0616

**Inglés** E - 1  
**Francés** F - 1  
**Español** S - 1

Fecha de compra  
mes \_\_\_\_\_  
año \_\_\_\_\_

## LEA Y GUARDE ESTAS INSTRUCCIONES ADVERTENCIAS

El no cumplir las advertencias que se enumeran a continuación puede provocar un choque eléctrico o lesiones severas.



Debe usarse este producto sólo de acuerdo a las especificaciones descritas en este manual. Usarlo de una manera diferente a lo indicado puede ocasionar lesiones severas.

- **PRECAUCIÓN:** Para disminuir el riesgo de quemaduras graves, mantenga este producto fuera del alcance de los niños y mascotas.
- Desarmarlo, repararlo o remodelarlo por una persona no autorizada puede provocar daños severos y anulará la garantía del fabricante.
- Coloque siempre el humidificador sobre una superficie dura, plana y nivelada. Es posible que este humidificador no funcione adecuadamente si se coloca sobre una superficie dispareja.
- No coloque este producto sobre telas, alfombras, o una superficie absorbente, ya que podría bloquear la entrada de aire.
- Este producto emite neblina. No coloque este humidificador directamente sobre muebles de madera, pisos o superficies que podrían dañarse con el agua. El fabricante no se hace responsable por daños en caso de que la unidad haya sido colocada de manera incorrecta.
- No lo utilice si el enchufe está dañado o suelto.
- Antes de llenar o limpiar la unidad, asegúrese de que esté desconectada.
- Una vez que haya conectado el humidificador, no incline ni mueva la unidad.
- No retire el depósito de agua si la unidad está encendida.
- No tome el enchufe con las manos mojadas.
- No doble, tuerza, jale excesivamente ni dañe el cordón eléctrico.
- Evite colocar este producto de manera que la boquilla de humidificación apunte directamente a un objeto o persona.
- No inhale la neblina o vapor que emite este producto y tampoco beba el agua del depósito.
- No llene el depósito con agua caliente o hirviendo.
- No use este producto bajo la luz solar directa ni cerca de una fuente de calor, como una estufa, calentador o radiador.
- No lo use si el depósito de agua se agrieta o presenta daños.
- Evite que este producto funcione por un período prolongado.

**ADVERTENCIA:** Los cordones, alambres y/o cables suministrados con este producto contienen sustancias químicas que incluyen plomo o compuestos de plomo, considerados en el estado de California como causantes de cáncer, defectos de nacimiento u otros daños reproductivos. Lávese las manos después de usarlo.

(Código de reglamentos de California, proposición 65)

## LEA Y GUARDE ESTAS INSTRUCCIONES ADVERTENCIAS

El no cumplir las advertencias que se enumeran a continuación puede provocar un choque eléctrico o lesiones severas.

- Desconecte el cordón cuando no use la unidad durante un período prolongado o cuando no se encuentre ninguna persona en la casa.
- No deje agua dentro del depósito cuando no use la unidad durante un período prolongado.
- No limpie la unidad, el depósito o tanque de agua con detergentes ni productos químicos de ningún tipo.
- Añadir sustancias al agua, por ejemplo aceites etéreos o esenciales, fragancias, eucalipto, suavizantes del agua, etc. dañará los materiales del aparato y a consecuencia de ello toda la unidad. El uso de cualquiera de estas sustancias añadidas anulará la garantía del fabricante.
- No use este producto cerca de cualquier dispositivo electrónico.
- Cuando lo use, no cubra la boquilla de humidificación en ningún momento. No coloque ningún objeto en el depósito o sobre él.
- **IMPORTANTE:** Tanto los seres humanos como los animales no pueden escuchar las vibraciones de alta frecuencia.
- Cuando lo desconecte del tomacorriente sostenga el humidificador de manera segura.
- No coloque el cordón eléctrico sobre ningún objeto.
- No deje penetrar agua al cordón eléctrico ni sobre él, ni donde se conecta con el producto. No use este aparato cerca de un lavabo o fregadero.
- No toque el depósito de agua mientras está funcionando la unidad.
- No sumerja la unidad en agua ni vierta agua sobre ella ni en la boquilla de humidificación.
- Cuando vacíe el agua del depósito, viértala por el lado de drenaje.
- No cubra la boquilla de humidificación con tela ni con su mano, ni tampoco use el aparato sin esta boquilla en su sitio.
- Use sólo agua limpia o destilada para llenar el depósito. Las áreas donde se acumula agua dura deberán limpiarse con más frecuencia.

# ESPECIFICACIONES Y PARTES DEL PRODUCTO

## ESPECIFICACIONES

NÚMERO DE MODELO: H3200

MODO DE HUMIDIFICACIÓN: Cool Mist

SUMINISTRO ELÉCTRICO: AC120V; 60HZ

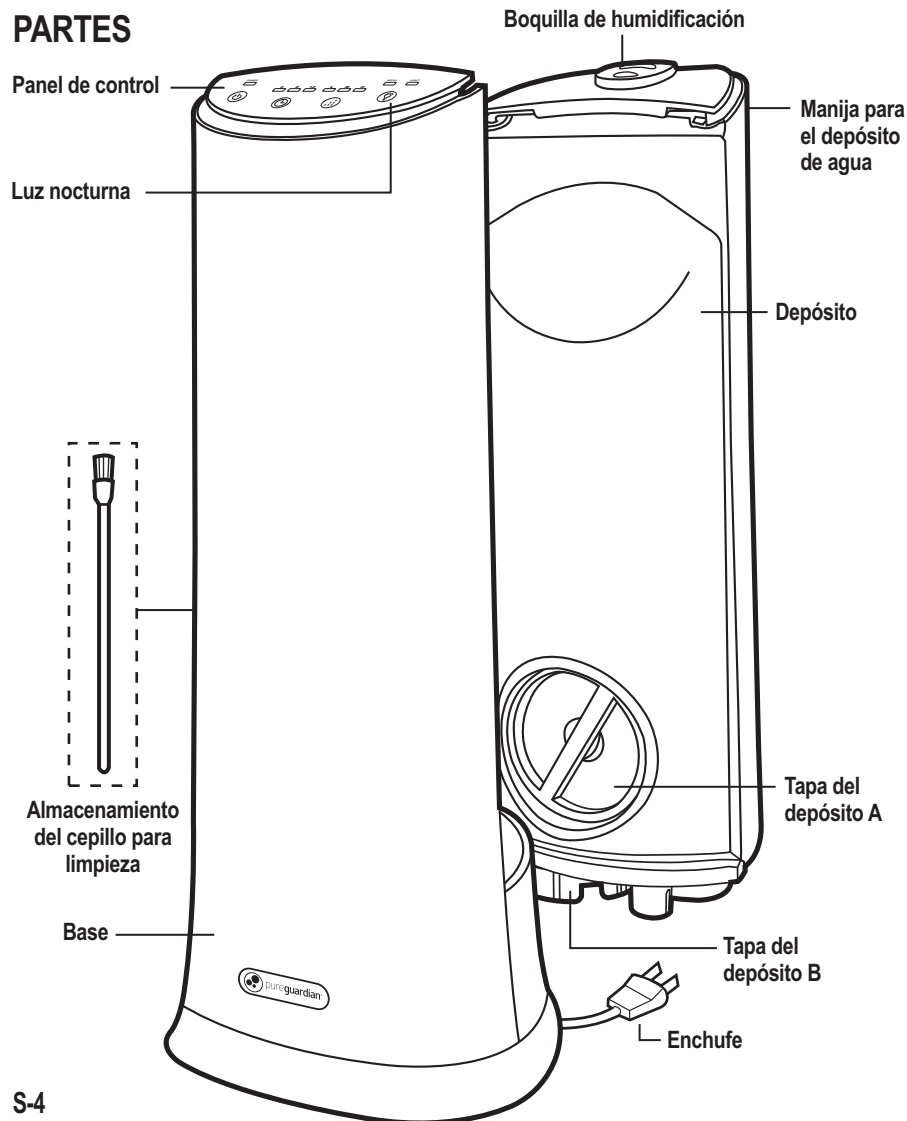
CONSUMO DE ELECTRICIDAD: 30W

CAPACIDAD DEL DEPÓSITO: 5.678 litros (1.5 galones)

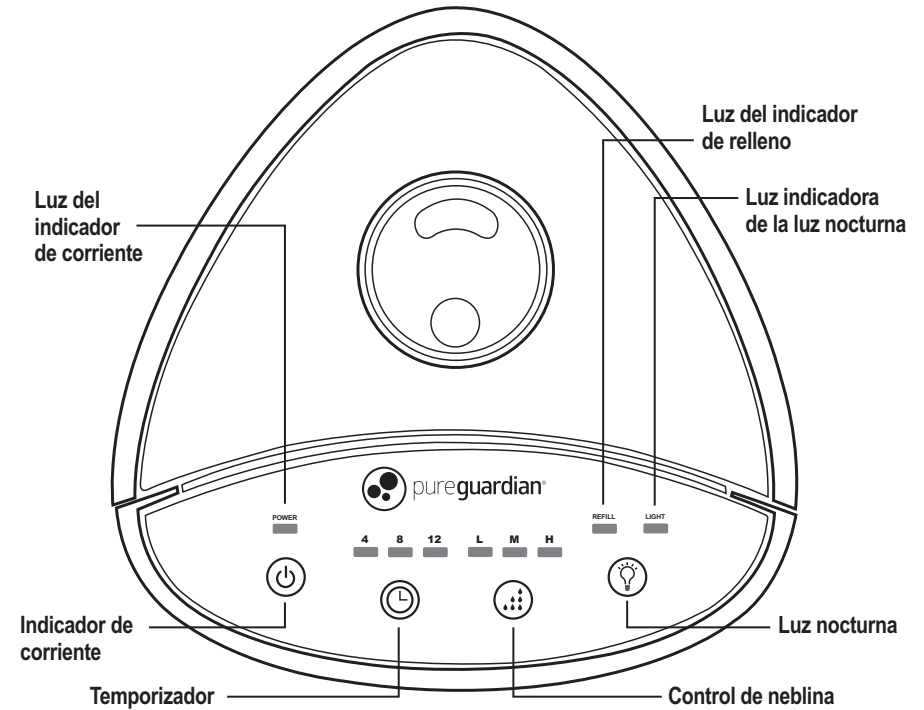
DIMENSIONES: 22.4 cm largo x 22.2 cm ancho x 55.7 cm alto

WEIGHT: 3.14 kg (6,93 lb) (sin incluir el empaque)

## PARTES



# FUNCIONES DE LOS BOTONES DEL PANEL DE CONTROL



## FUNCIONES DESTACADAS

### LUZ NOCTURNA

Una luz LED ilumina el depósito con una luz nocturna que emite un tenue resplandor.

### TEMPORIZADOR

Programa el humidificador con anterioridad para que se apague después de 4, 8, o 12 horas.

### CORRIENTE

Enciende/apaga el humidificador.

### CONTROL DE NEBLINA

El volumen de rociado o la cantidad de neblina producida por la unidad puede ajustarse en tres niveles diferentes de acuerdo a las necesidades.

### INDICADOR DE RELLENO DE AGUA

Cuando se ilumina el botón de rellenado de agua indica que es el momento de rellenar el depósito de agua.

### TECNOLOGÍA LIMPIA DE PLATA

A diferencia de otros humidificadores que permiten la proliferación de hongos y moho fangoso, el Humidificador Ultrasónico pureguardian™ utiliza la tecnología limpia de plata incorporada en el depósito para combatir la proliferación de hongos y moho en la superficie del depósito de agua.

### LUZ DEL PANEL DE CONTROL

Se apaga automáticamente después de 5 segundos. Se encenderá de nuevo cuando presione cualquier botón de control.

# INSTRUCCIONES DE USO

## ENSAMBLADO

Seleccione una superficie firme, plana y nivelada; al menos a una distancia de 15 cm (6 pulg.) de una pared u objeto para tener un flujo de aire adecuado. Coloque el humidificador sobre una superficie resistente al agua, ya que el agua puede dañar los muebles y ciertos pisos. No coloque la unidad directamente sobre alfombras, toallas, cobijas u otras superficies absorbentes.

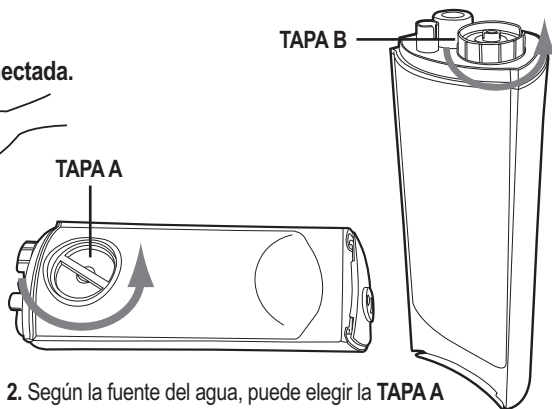
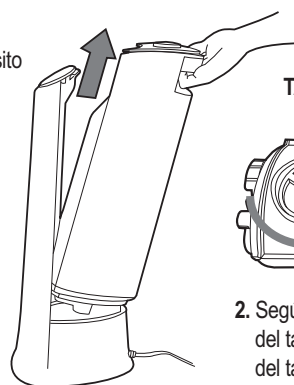
*Guardian Technologies no se hará responsable por daños ocasionados por derrames de agua.*

**NOTA:** La manija está diseñada para cargar el tanque, no la unidad completa.

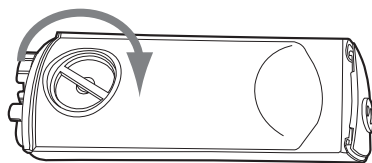
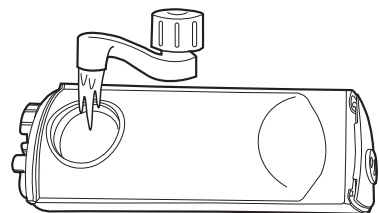
## RELLENO

Asegúrese que la unidad esté desconectada.

1. Retire el depósito de la base de la unidad.



2. Según la fuente del agua, puede elegir la **TAPA A** del tanque (que se llena a los lados) o la **TAPA B** del tanque (que se llena a lo largo). Quite la tapa girándola a la izquierda. **IMPORTANTE:** Quite únicamente 1 tapa cuando llene la unidad.



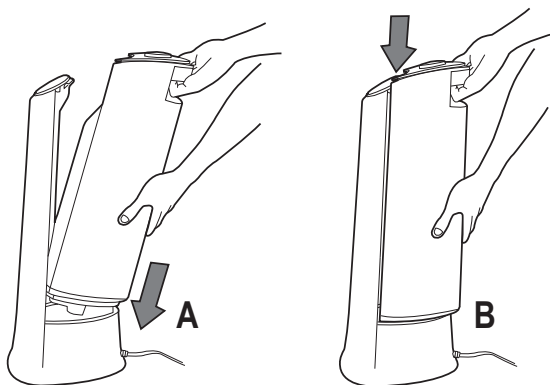
3. Vierta agua fría y limpia directamente en el depósito. No vierta ningún otro líquido en el depósito que no sea agua limpia.

4. Cierre la tapa del depósito, girándola hacia la derecha. Es importante asegurar **FIRMEMENTE** la tapa después de llenar el depósito con agua.

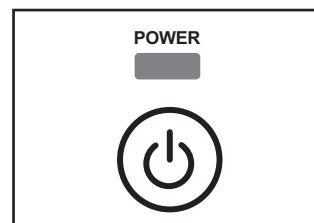
5. Regrese el tanque.

**A.** Guíe el tanque hacia dentro de la base.

**B.** Levante ligeramente el tanque para conectarlo al borde superior del panel de control.



# INSTRUCCIONES DE USO

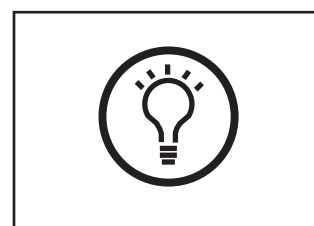


## 6. Botón interruptor

Antes de encender la unidad verifique que la unidad esté llena de agua. Oprima el botón interruptor.

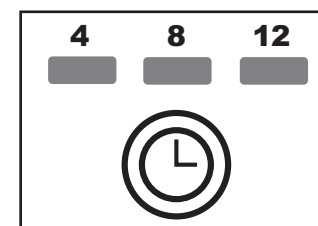
## OPERACIÓN DE CONTROL

**NOTA:** Si las luces del panel de control están apagadas, presione cualquier botón para encenderlo y continúe con la siguiente operación de control.



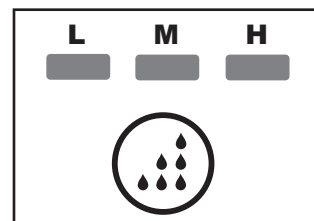
## 1. Función de luz nocturna

Oprima el botón lámpara nocturna para encender o apagar la luz.



## 2. Temporizador

Oprima el botón del temporizador para seleccionar 4, 8, o 12 horas. La unidad se apagará a la hora que haya elegido.



## 3. Botón de control de neblina

Cuando oprime este botón usted tiene tres opciones:  
Oprímalo una vez para un rociado **BAJO**  
Oprímalo dos veces para un rociado **MEDIO\***  
Oprímalo tres veces para un rociado **ALTO**  
\*El rocío medio es la neblina predeterminada.



## 4. Indicador de relleno de agua

Cuando la unidad tiene un nivel bajo de agua, se iluminará el indicador LED de relleno del panel frontal y la unidad se apagará. Simplemente añada más agua para continuar usando la unidad. La unidad volverá a funcionar de manera automática cuando se haya llenado el depósito de agua.

**Nota:** El humidificador está equipado con un dispositivo de protección. Si se activa, se iniciará el indicador de advertencia de sobrecarga y se cortará la energía. Para reiniciar, desenchufe durante 5 s/replug continuación, pulse el botón de encendido. Si la unidad sigue apagándose, todavía puede haber una condición anormal y puede ser necesario reparar la unidad. Llame al departamento de servicio al cliente al 1-800.603.5900.



## LIMPIEZA

### LIMPIEZA

- Desconecte siempre la unidad antes de darle mantenimiento.
- El agua que queda dentro de la unidad después de usarla puede estar muy caliente, deje que se enfríe.

### LIMPIEZA GENERAL

- **Interior de la base de la unidad Saque el exceso de agua de la unidad.** De ser necesario, lave la unidad con agua fresca con el cepillo para limpieza y un paño suave. **No sumerja la base de la unidad en agua, ni permita que entre agua dentro del puerto de descarga de aire seco de la unidad.**
- **Depósito de agua.** Vacíe el depósito de agua. Quite la boquilla de neblina y limpie el tubo de neblina con agua fresca y un cepillo suave (se recomienda usar un cepillo para limpiar botellas).
- **Superficie externa de la unidad.** De ser necesario, limpie la superficie externa de la unidad con un paño suave, húmedo. Si observa acumulación de agua durante el uso, disminuya la humedad y seque la superficie externa con un paño.

### DESINCRUSTACIÓN

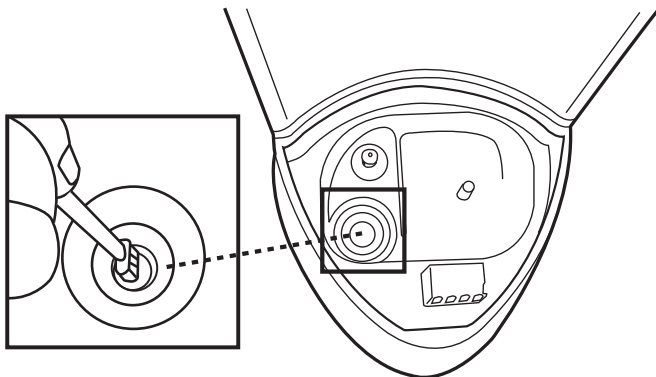
- Dependiendo del tipo y uso del agua, la limpieza requerida para eliminar el sarro deberá hacerse semanalmente, o cada dos semanas para optimizar el rendimiento de la unidad.
- Si vive en un área de agua dura, le recomendamos que utilice agua destilada en su humidificador. Esto ayudará a disminuir la precipitación de minerales del agua o “el polvo blanco”.
- No limpie la unidad ni el depósito de agua con detergentes ni productos químicos de ningún tipo.

### DISCO ULTRASÓNICO

1. Desconecte la unidad.
2. Retire el depósito de agua y vacíe toda el agua de la base y el depósito de la unidad.
3. Ubique el disco ultrasónico en la parte interna de la base de la unidad. (vea la pág.) S-4)
4. Use SÓLO el cepillo para limpieza incluido para limpiar cuidadosamente el disco y eliminar las incrustaciones y materiales depositados. **No frote ni raspe el disco ultrasónico.**

#### Disco ultrasónico

\*Limpie el disco sólo con el cepillo. No debe utilizar ninguna otra herramienta para la limpieza. SÓLO EL CEPILLO.



## LIMPIEZA

### CLEANING

Si resulta difícil eliminar el sarro con el cepillo:

1. Llene la base con: una mezcla de 1 cucharadita de vinagre blanco y una 1 cucharadita de agua.
2. Deje reposar la solución durante 5 minutos.
3. Una vez que vierta la solución de vinagre en la base, limpie todas las superficies internas con un paño suave o un cepillo para ayudar a eliminar el sarro.
4. Verifique también la boquilla de neblina y el tubo de neblina del depósito de agua. Límpielos cuando sea necesario.
5. Enjuague la base meticulosamente con agua para eliminar el sarro y la solución de vinagre.

¿Los minerales en el agua generan polvo blanco?

Pruebe el cartucho descalcificador. **FLTDC20.**

Busque el cartucho N° **2** en una tienda local minorista o visite [www.guardiantechnologies.com](http://www.guardiantechnologies.com)



### ALMACENAMIENTO DE FIN DE TEMPORADA

- Siga las instrucciones de limpieza y desincrustación cuando guarde el humidificador al final de la temporada.
- Seque muy bien el humidificador antes de guardarlo. NO lo guarde si todavía tiene agua en el interior de la base o en el depósito de agua.
- Empaque la unidad en la caja original y guárdela en un lugar fresco y seco.

**NOTA: SI ENCUENTRA ALGÚN PROBLEMA NO INTENTE ABRIR EL ALOJAMIENTO DEL MOTOR USTED MISMO. HACERLO PODRÍA ANULAR SU GARANTÍA Y PROVOCAR LESIONES PERSONALES O DAÑOS AL HUMIDIFICADOR.**

## GUÍA DE SOLUCIÓN DE PROBLEMAS

PROBLEMA	SOLUCIÓN
La unidad no produce vapor de agua ni humedad.	Enchufe: Desconéctelo, vuelva a conectar e intente nuevamente. Interrupción del suministro eléctrico: Cuando se restablezca el servicio, intente nuevamente. Instalación del depósito: Verifique que el depósito esté conectado correctamente. La superficie del disco ultrasónico está sucia: Limpie el disco ultrasónico. (vea la pág.) S-8)
Sale aire pero no se produce vapor.	Cantidad excesiva de agua: Saque algo de agua del depósito. Aumentar el nivel de neblina. Pudiera haber residuos de detergente o ciertos aceites de cosméticos, etc. en el depósito, lave bien el depósito e intente nuevamente. La superficie del disco ultrasónico está sucia: Limpie el disco ultrasónico. (vea la pág.) S-8) Si usa agua dura, sustitúyala con agua blanda.
Nivel de humedad bajo.	La superficie del disco ultrasónico está sucia: Limpie el disco ultrasónico. (vea la pág.) S-8) El agua de la unidad está demasiado fría: Reemplace con agua fresca, pero que no esté fría. Daño del disco ultrasónico: Llame al departamento de servicio al cliente al 1.866.603.5900.
La humedad desprende mal olor.	Mantenimiento deficiente o agua sucia: Limpie la unidad meticulosamente y llénela de agua fresca. (vea la pág.) S-8)
En los muebles cercanos a la unidad está apareciendo un polvo blanco.	El agua dura puede crear ciertos depósitos de polvo. El polvo en el aire también se asienta debido a la humedad de la habitación. Si le molesta este polvo, use agua destilada. * El filtro descalcificador (FLTDC) se encuentra disponible en <a href="http://www.guardiantechnologies.com">www.guardiantechnologies.com</a> o llame al departamento de servicio al cliente al 1.866.603.5900.
La unidad dejó de funcionar.	Nada de agua o nivel bajo de agua. Desconecte la unidad y vuelva a llenar el depósito.
La unidad se apaga inesperadamente o no funciona.	Verifique si se activó el protector del motor. Para reiniciar, desenchufe durante 5 s/replug continuación, pulse el botón de encendido. Llame a Servicio al Cliente al 1.866.603.5900.
Se acumula agua fuera de la unidad o en el área alrededor.	Saturación de humedad. Disminuya el nivel de la neblina. La unidad no está bien nivelada y se acumula agua. Desconéctela y colóquela sobre una superficie nivelada. Apunte la boquilla de rociado lejos de los objetos. Eleve la unidad sobre una superficie nivelada resistente al agua de 61 cm a 91 cm (de 2 a 3 pies) por encima del piso.
Gotea agua al llenar el depósito.	Queda agua en el fondo del depósito. Seque el depósito con un paño o inclínelo para vaciarlo antes de transportarlo. Asegúrese de que tanto la tapa A como la B del tanque estén bien cerradas.
Incremento del nivel de ruido.	La unidad debe colocarse sobre una superficie dura, plana y nivelada. Cerciórese de que NO esté colocada sobre una superficie suave absorbente.

## GARANTÍA LIMITADA

Para el consumidor, Guardian Technologies LLC garantiza que este producto se encuentra libre de defectos de materiales o mano de obra a partir de la fecha de compra original. Guarde el recibo de compra original para validar el inicio del período de garantía. La garantía no es válida sin el recibo correspondiente.

Si durante el período de garantía se encuentra que el producto es defectuoso, repararemos o reemplazaremos las piezas defectuosas sin ningún costo. Todas las reparaciones cubiertas por la garantía deben ser realizadas por Guardian Technologies LLC. Esta garantía **no cubre las reparaciones no autorizadas**. La garantía no cubre los problemas ocasionados por desgaste inusual, daños que resulten por un accidente o el uso no razonable del producto. Esta garantía sólo cubre el producto si se utiliza con accesorios genuinos de Guardian Technologies. Esta garantía cubre el producto que se adquirió con un distribuidor autorizado. Esta garantía le otorga derechos legales específicos y usted pudiera tener otros derechos adicionales (los cuales varían en cada estado en los EE. UU.)

**Puede completar el registro de la garantía en línea en [www.guardiantechnologies.com](http://www.guardiantechnologies.com).** Consideramos que el proceso de registro es importante para garantizar el servicio superior a nuestros clientes; sin embargo, el envío del comprobante de registro es opcional y no afecta sus derechos para utilizar la garantía de acuerdo a las condiciones estipuladas anteriormente. Para enviar el producto cubierto por la garantía, el aparato completo debe enviarse con porte pagado por anticipado a Guardian Technologies LLC. Incluya toda la información, incluso: la descripción del problema, el número de modelo del producto, la fecha de compra, una copia del recibo de compra original junto con su nombre dirección y número de teléfono (puede incluir su dirección de correo electrónico de manera opcional.) Dirija las devoluciones a la atención de: Departamento de servicio al cliente, a la dirección que se indica a continuación. Si tiene preguntas o comentarios llame sin costo al número de teléfono que aparece abajo.

**Guardian Technologies LLC**  
**26251 Bluestone Blvd. • Euclid, Ohio 44132**  
**1.866.603.5900**  
[www.guardiantechnologies.com](http://www.guardiantechnologies.com)



Este producto ha sido sometido a pruebas y cumple con los requisitos de la Comisión Federal de Comunicaciones, o FCC, Parte 18, correspondiente a la interferencia de Radio/TV/Comunicaciones. Aunque ha sido probado, aun así puede afectar estos dispositivos. Si observa que el humidificador crea interferencia, ponga el dispositivo o el humidificador aparte. Realice únicamente el servicio de mantenimiento indicado en este manual. Otro tipo de mantenimiento y servicio puede provocar interferencia perjudicial y anular el cumplimiento requerido por la FCC.

**Se pueden obtener copias adicionales accesándolas e imprimiéndolas directamente en nuestro sitio web o llamando al departamento de servicio al cliente.**