

LIMITED WARRANTY

To the consumer, Guardian Technologies LLC warrants this product to be free of defects in materials or workmanship commencing upon the date of the original purchase. In order to be eligible for this Limited Warranty, an original sales receipt or comparable substitute proof of purchase bearing the date of original purchase is required. Refer to the original product carton or specific product/model page on the Guardian Technologies website for warranty length for your particular model. This warranty applies only to the original purchaser of this product from the original date of purchase. This warranty covers product purchased from authorized distributors only.

This warranty applies to repair or replacement of product found to be defective in materials or workmanship. This warranty does not apply to damage resulting from unusual wear, commercial, abusive, unreasonable use or supplemental damage. This warranty does not cover damage from unauthorized repairs or from any use not in accordance with the instruction manual. Defects that are the result of normal wear and tear will not be considered manufacturing defects under this warranty.

If this product should become defective within the warranty period, we will repair or replace any defective parts free of charge. All warranty repairs must be completed by Guardian Technologies LLC. This warranty gives you specific legal rights and you may also have other rights (other rights may vary from state to state in the U.S.A.)

To submit product under warranty the complete machine must be delivered pre-paid to Guardian Technologies LLC. Please include complete information including: the problem, the model number of the product, the day of purchase, and a copy of the original sales receipt along with your name, address, and telephone (email optional). Address returns to the attention of: Customer Service, at the address below. Additional questions or comments can be made toll free to the number listed below.

USA and Canada
Guardian Technologies LLC
26251 Bluestone Blvd.
Euclid, Ohio 44132
1.866.603.5900
www.guardiantechnologies.com

Please go to www.guardiantechnologies.com to register your product. We consider the registration process important to ensuring superior service to our customers, however submitting the warranty registration is optional and does not affect your rights to utilize this warranty according to the conditions stated above.

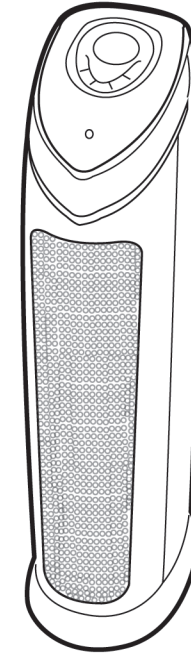
Additional copies of the instruction manual can be obtained by accessing and printing directly from our website or calling customer service.



©2016 Guardian Technologies LLC



USE & CARE INSTRUCTIONS



Air Cleaning System with Pet Pure™ Filter

Model No. AC5250PT
5-Year Limited Warranty

Customer Service
1.866.603.5900

www.guardiantechnologies.com

Date Purchased month _____ year _____

English E - 1 French F - 1 Spanish S - 1

Use GENUINE Guardian Technologies replacement parts only.

REV0920

READ AND SAVE THESE INSTRUCTIONS

WARNINGS

Failure to comply with the warnings listed below may result in electric shock or serious injury.



This product should be used only in accordance with the specifications outlined in this manual. Usage other than what has been specified here may result in serious injury.

When using electrical appliances, basic precautions should always be followed to reduce the risk of fire, electric shock and injury to persons, including the following:

- Read all instructions before using appliance.
- **IMPORTANT** - This appliance has a polarized plug (one blade is wider than the other). To reduce the risk of electric shock, this plug is intended to fit in a polarized outlet only one way. If the plug does not fit fully in the outlet, reverse the plug. If it still does not fit, contact a qualified electrician. Do not attempt to defeat this safety feature.
- To avoid fire or shock hazard, plug the appliance directly into a 120V AC electrical outlet.
- Keep the cord out of heavy traffic areas. To avoid fire hazard, NEVER put the cord under rugs, near heat registers, radiator, stoves or heaters.
- To protect against electrical hazards, DO NOT immerse in water or other liquids. Do not use near water.
- Extreme caution is necessary when any appliance is used by or near children or people with disabilities and whenever the appliance is left operating unattended.
- Always unplug the air purifier before moving it, opening the grill, changing filters, cleaning or whenever the air purifier is not in use. Be sure to pull by the plug and not the cord.
- NEVER drop or insert any object into any openings.
- DO NOT run cord under carpeting.
- DO NOT cover cord with throw rugs, runners, or similar coverings.
- DO NOT route cord under furniture or appliances. Arrange cord away from traffic area and where it will not be tripped over.
- DO NOT operate any appliance with a damaged cord or plug, if motor fan fails to rotate, after the appliance malfunctions, or if it has been dropped or damaged in any manner. Call Customer Service at 1.866.603.5900 for assistance.
- Use appliance only for intended household use as described in this manual. Any other use not recommended by the manufacturer may cause fire, electric shock or injury to persons.
- DO NOT use outdoors.
- DO NOT place anything on top of unit.
- NEVER block the air openings, grills/outlets or place on a soft surface such as a bed or sofa, as this could cause the unit to tip over, blocking the air intake or outtake opening.
- DO NOT attempt to repair or adjust any electrical or mechanical functions on this unit. Doing so will void your warranty. The inside of the unit contains no user serviceable parts. All servicing should be performed by qualified personnel only.

- **WARNING:** To reduce the risk of fire or electric shock, do not use this fan with any solid-state speed control device.
- **WARNING:** Skin or eye damage may result from directly viewing the light produced by the lamp in this apparatus. Always disconnect power before replacing lamp or servicing. Replace Lamp With Lamp Manufactured by Guardian Technologies.
- Always unplug the unit before cleaning or servicing in any way.
- **CAUTION:** Do NOT use gasoline, benzene, thinner, harsh cleaners, etc. on and/or in the unit while cleaning as they will damage the product. NEVER use alcohol or other solvents.

The 8 hour TWA Ozone for this product is 0.001 ppmv when tested in a 30 m³ chamber. The product complies with the maximum allowable concentration of ozone of 0.050 parts per million by volume (ppmv) in a 24-hour period. The Health Canada Guideline 2010 recommends that the maximum exposure limit, based on averaging time of 8 hours, is 0.020 ppmv or less when tested in a sealed, controlled room approximately 30 m³.



WARNING: Cancer or Reproductive Harm.
For more information go to www.P65Warnings.ca.gov.



LAMP CONTAINS MERCURY



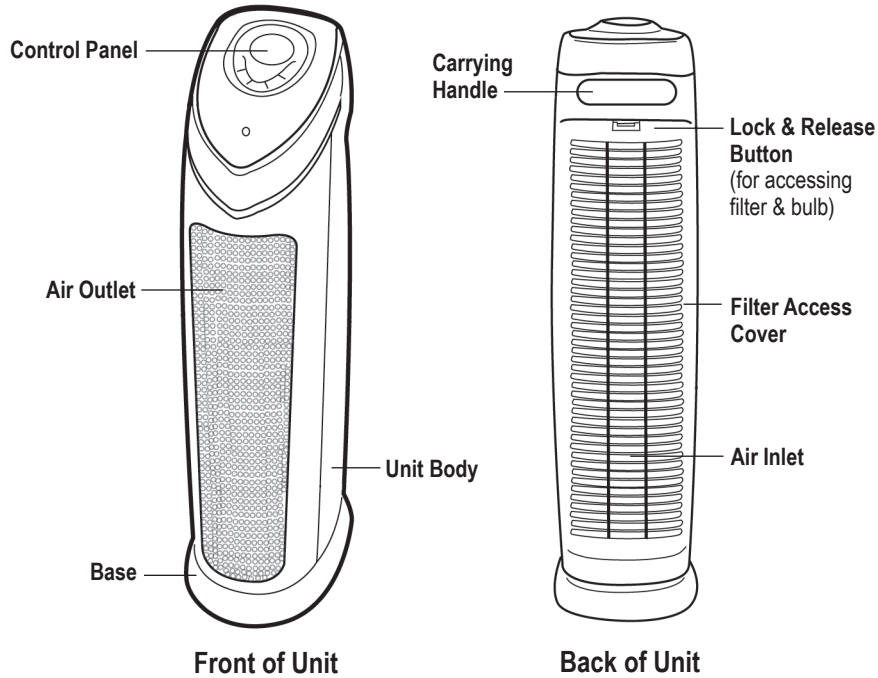
Manage in accordance with Spills, Disposal and Site Cleanup Requirements. In case of breakage, follow clean-up procedures provided by contacts below.

www.epa.gov/cflcleanup 1-866-284-4010

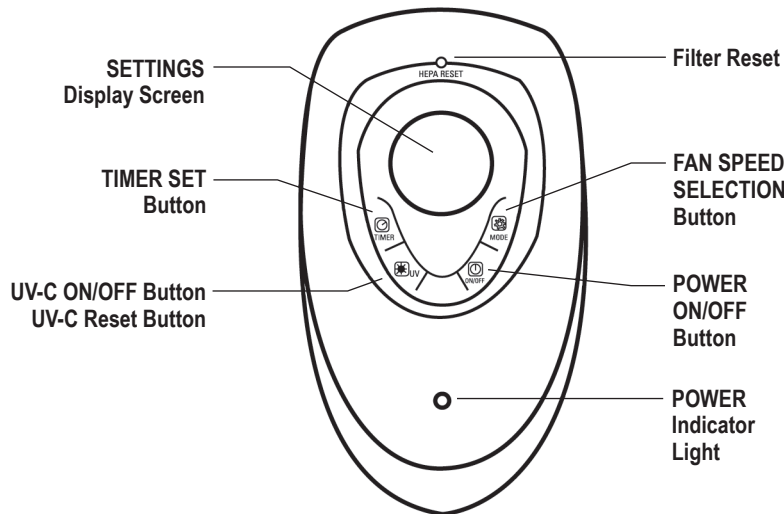


This product earned the ENERGY STAR label by meeting strict energy efficiency guidelines set by the U.S. EPA. Room air cleaners have demonstrated the potential for improving air quality and providing health benefits. EPA does not endorse manufacturer claims regarding the degree to which a specific product will produce healthier indoor air. The energy efficiency of this ENERGY STAR certified model is measured based on a ratio between the model's CADR for Smoke and the electrical energy it consumes, or CADR/Watt.

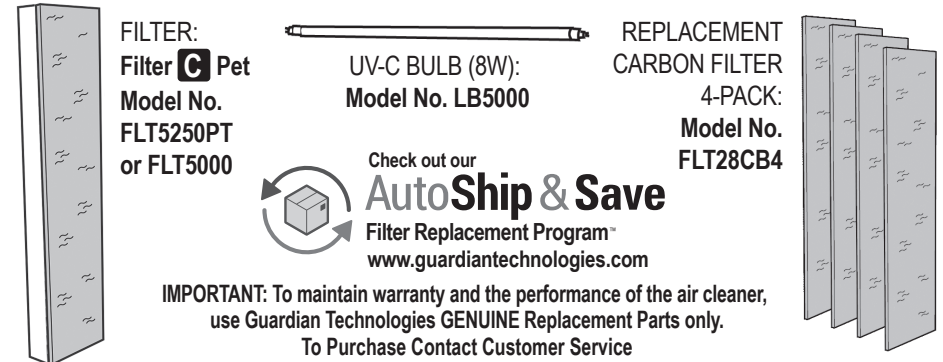
PRODUCT SPECIFICATIONS AND PARTS



CONTROL PANEL



REPLACEMENT PARTS



DIGITAL AIR CLEANING SYSTEM

Improve your indoor air quality with your new germguardian® Air Cleaning System. Multiple levels of cleaning include a combination filter that captures allergens, and Charcoal filter to remove odors. UV-C light technology enhances germ-killing.

Pre-Filter* - Captures initial dust and allergen particles.

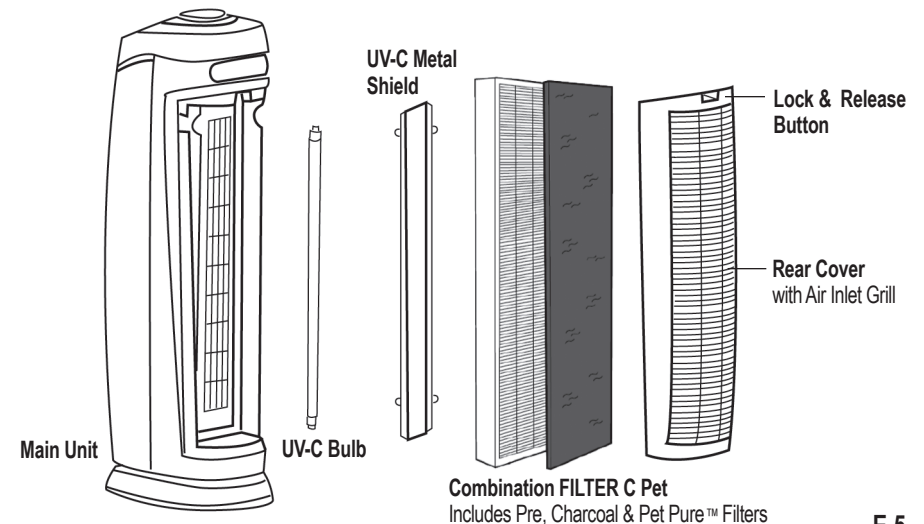
Activated Carbon Filter - Charcoal/Activated Carbon contributes to the control and prevention of the growth of bacteria, germs and mold.

Pet Pure™ Filter - Pet Pure Treatment inhibits the growth of mold, mildew and odor-causing bacteria on the surface of the filter.

UV-C Light - UV-C light technology works with Titanium Dioxide (TiO₂) to enhance the elimination of airborne germs. TiO₂ is activated by the UV-C light to decompose remaining odor molecules caused by smoking, cooking and pets.

*Pre-Filter and Carbon Filter are combined into one layer that attaches to the Filter.

AIR CLEANING LAYERS



OPERATING INSTRUCTIONS

BEFORE OPERATING THE AIR PURIFIER:

1. Carefully remove your air purifier from box and bag.
2. Select a firm, level and flat location for the air purifier.
 - For proper air flow, locate the unit at least 1 foot from any wall or furniture.
 - Make sure none of the grills are blocked.
3. Plug the power cord into a 120V AC outlet.

IMPORTANT: When moving the air purifier, always lift unit by the carrying handle located on back.

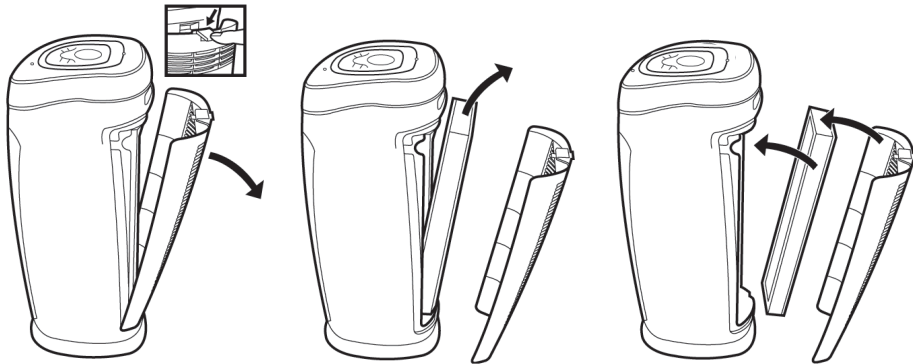
OPERATING THE AIR PURIFIER

1. Turn unit power ON.
2. Select fan speed MODE 1 - 5
(1 = lowest speed setting; 5=highest speed setting)
3. Select UV-C ON or OFF using UV-C Mode Button.
4. **TIMER:** If you prefer to run the purifier for a specific number of hours, you can select between 1 and 8 hours on the display.

FILTER REPLACEMENT

The Air Cleaner will beep for 30 seconds and the HEPA reset light will flash continuously indicating that it is time to replace your filter. Replace the filter according to directions then insert pen tip into HEPA Reset area on control panel to restart the system. Depending on usage, filter will last approximately 6 months.

1. Turn off and unplug the unit.



2. Press the lock and release button and remove the rear cover from the unit.
 3. Remove the used Combination Filter (Filter C Pet) and dispose of it in the garbage.
 4. Insert filter system into the unit. Consult the arrow on the filter for correct installation direction.
5. Reattach the rear cover of the unit and securely latch into place.
 6. Insert pen tip into HEPA Reset area on control panel to restart the system.

CHECKING AND MAINTAINING FILTER

Maintain the filter by checking it frequently.

Depending on air quality conditions, you may need to replace it more frequently.

Vacuum the carbon filter layer as needed to remove loose debris and dust and to help prolong the life of your filter.

To check the status of the filter, peel back the carbon layer to expose the pleated filter. If the filter is no longer white and is covered in grey dust/dirt it should be replaced.

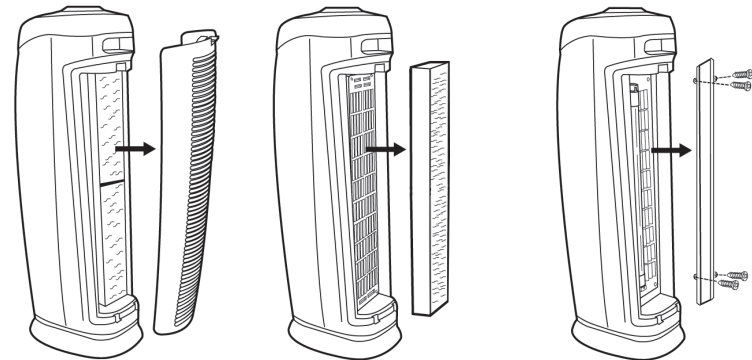
IMPORTANT: Do NOT try to wash and re-use the Combination Filter.

IMPORTANT: To maintain warranty and the performance of the air cleaner, use Guardian Technologies GENUINE Replacement Parts only.

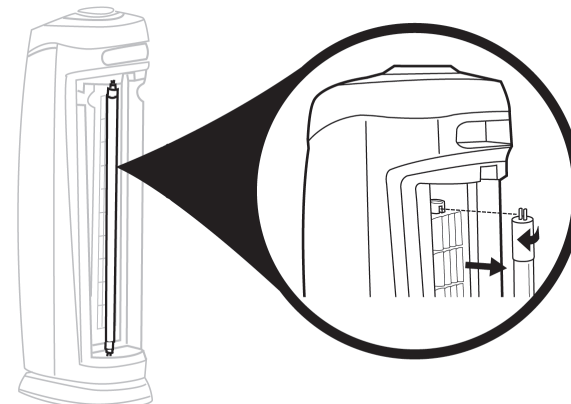
INSTALLING & REMOVING UV-C BULB

UV Bulb Replacement Indicator: The UV light on the display will flash when its time to replace the UV bulb.

1. Turn off and unplug the unit.



2. Press the lock and release button and remove the rear cover from the unit.
 3. After removing the Rear Cover from the unit, remove the Combination Filter.
 4. After removing the filter, use a Philips head screwdriver to remove four (4) screws and detach the UV-C Metal Shield.
5. The UV-C bulb is removed by carefully grasping the bulb with a clean cloth or tissue and pulling the bulb straight out of the unit.



6. The UV-C bulb is reinstalled by sliding it, horizontally, back into the slots at the top of the unit.
7. Hold down the UV-C control button for 5 seconds to reset the UV-C indicator.

Bulb is NOT visible until the UV-C METAL SHIELD has been removed.

TWIST THE BULB 1/4 TURN TO REMOVE.

NOTE: Do NOT stick any foreign objects or your fingers inside of the unit.
CAUTION: Do NOT use gasoline, benzine, thinner, harsh cleaners, etc. on and/or in the unit while cleaning as they will damage the product.
NEVER use alcohol or other solvents.

TROUBLESHOOTING GUIDE

PROBLEM	SOLUTION
Unit does not operate.	Check that the unit is plugged in. Check that filter is in place. Confirm that filter is Genuine Replacement Filter Call Customer Service.
Unit shuts off unexpectedly.	Check that unit is plugged into a working electrical outlet. Check that filter is firmly in place. Check that the Rear Cover is latched firmly in place. Call Customer Service.
No air circulating from unit.	Unplug unit. Check Pre-/Carbon and filters. Clean Pre-/Carbon Filter if necessary. Replace filter if necessary.
Increase in noise level.	Make sure the filters are clean. Replace if necessary.
Control buttons "beep" when pushed.	To shut off the "beeping" sound when buttons are pushed. 1. Press and hold the TIMER and UV buttons for 3 seconds. 2. Select ON/OFF. 'Beeping' will automatically be reset to ON when the unit is unplugged.
Unit is making long beeping sound (approx. 30 seconds).	Change the filter.

What is CADR?

CADR stands for "Clean Air Delivery Rate," which indicates the volume of filtered air delivered by an air purifier. CADR ratings show the effectiveness of how efficient the air purifier is at capturing fine particles from things like tobacco smoke and plant pollens from the room.

Clean Air Delivery Rate

From air cleaner to air cleaner, compare the CADR numbers. First look at suggested room size. Then refer to the Clean Air Delivery Rate (CADR) numbers. The higher the number, the faster the unit filters the air.

Refer to website for individual model CADR numbers.

GARANTIE LIMITÉE

Guardian Technologies LLC garantit au consommateur que cet appareil est exempt de défauts matériels ou de fabrication, à partir de la date d'achat originale. Afin d'être admissible à cette Garantie limitée, un reçu de vente original ou une autre preuve d'achat substitut comparable portant la date de l'achat original est requis. Consultez la boîte de produit originale ou la page du produit/modèle spécifique sur le site Web de Guardian Technologies pour la période de garantie concernant votre modèle en particulier. Cette garantie s'applique seulement à l'acheteur original de ce produit à partir de la date d'achat originale. Cette garantie couvre un appareil acheté uniquement auprès de distributeurs agréés.

Cette garantie s'applique à la réparation ou au remplacement du produit trouvé défectueux au niveau des matériaux ou de la fabrication. Cette garantie ne s'applique pas aux dommages découlant d'une usure inhabituelle, d'une utilisation commerciale, abusive ou déraisonnable ou de dommages additionnels. Cette garantie ne couvre pas les dommages causés par des réparations non autorisées ou de toute utilisation non conforme avec le manuel des instructions. Les défaillances découlant d'une usure normale ne seront pas considérées des défauts de fabrication selon la présente garantie.

Si cet appareil s'avère défectueux pendant la période de garantie, nous réparerons ou remplacerons gratuitement toutes les pièces défectueuses. Toute réparation couverte par la présente garantie doit être effectuée par Guardian Technologies LLC. La présente garantie vous donne certains droits juridiques. Vous pouvez également bénéficier d'autres droits (les droits peuvent varier d'un État à l'autre aux États-Unis).

Pour faire valoir la présente garantie, l'appareil complet doit être envoyé en port payé à Guardian Technologies LLC. Veuillez inclure les renseignements complets, y compris : la nature du problème, le numéro de modèle, la date d'achat, et incluez vos nom, adresse et numéro de téléphone (courriel facultatif) ainsi qu'une copie du reçu de vente original. Retournez l'appareil à l'attention de : Customer Service, et à l'adresse indiquée ci-après. Adressez vos questions ou vos commentaires au numéro sans frais indiqué ci-après.

États-Unis et Canada
Guardian Technologies LLC
26251 Bluestone Blvd.
Euclid, Ohio 44132
1 866 603-5900
www.guardiantechnologies.com

Veuillez vous rendre à www.guardiantechnologies.com pour enregistrer votre produit. Nous considérons le processus d'enregistrement comme important afin d'assurer un service supérieur à notre clientèle. Cependant, l'envoi de cette carte de garantie est facultatif et n'affectera en rien vos droits de faire valoir cette garantie en accord avec les conditions susmentionnées.

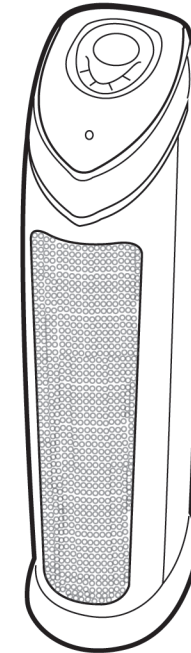
Des copies supplémentaires de ce manuel d'utilisation peuvent être obtenues sur notre site Internet puis imprimées, ou en appelant le service à la clientèle.



©2016 Guardian Technologies LLC



UTILISATION ET INSTRUCTIONS D'ENTRETIEN



Systeme de purification d'air avec filtre Pet Pure™

Modèle n° AC5250PT

Garantie limitée de un (5) an

Service à la clientèle :

1.866.603.5900

www.guardiantechnologies.com

Date d'achat mois _____ année _____

Anglais E - 1 Français F - 1 Espagnol S - 1

Utilisez uniquement des pièces de rechange ORIGINALES
de Guardian Technologies.

REV0920

LIRE ET CONSERVER CES INSTRUCTIONS AVERTISSEMENTS

Le non-respect des avertissements mentionnés ci-dessous peut provoquer une décharge électrique ou des blessures graves.



Ce produit doit être utilisé en conformité avec les directives indiquées dans le présent manuel. De graves blessures peuvent résulter d'un usage du produit autre que celui indiqué dans le présent manuel.

Lorsque vous utilisez un appareil électrique, vous devez toujours respecter certaines consignes élémentaires de sécurité afin de réduire le risque de feu, de choc électrique et de blessure, dont les suivantes.

- Lisez toutes les instructions avant d'utiliser cet appareil.
- **IMPORTANT** - Cet appareil d'éclairage portable est équipé d'une fiche polarisée (une tige de la fiche est plus large que l'autre) pour réduire le risque de choc électrique. Cette fiche s'installe d'une seule façon dans la prise de courant. Si la fiche ne s'insère pas entièrement dans la prise, insérez-la dans l'autre sens. Si elle ne s'insère toujours pas, contactez un électricien agréé. Ne jamais utiliser de rallonge électrique à moins que la fiche s'insère entièrement. Ne modifiez pas la fiche.
- Pour éviter tout risque d'incendie ou de choc électrique, branchez l'appareil directement dans une prise électrique de 120 V c.a.
- Gardez le cordon d'alimentation à l'écart des zones de passage. Pour éviter tout risque d'incendie, ne faites JAMAIS passer le cordon d'alimentation sous un tapis ou à côté de grilles de chauffage, de radiateurs, d'appareils de chauffage ou de cuisinières.
- Pour protéger contre tout risque de choc électrique, NE plongez PAS l'appareil dans l'eau ou dans un liquide quelconque. N'utilisez pas cet appareil à proximité de l'eau.
- Il faut faire preuve d'une extrême prudence lors de l'utilisation d'un appareil par les enfants ou des personnes handicapées, ou à proximité de ces derniers, et lorsqu'on laisse l'appareil en fonctionnement sans surveillance.
- Débranchez toujours le purificateur d'air avant de le déplacer, d'ouvrir une grille de protection, de changer les filtres ou lorsqu'il n'est pas utilisé. Assurez-vous de débrancher l'appareil en tirant sur la prise et non sur le cordon.
- Ne laissez JAMAIS tomber et n'insérez JAMAIS d'objets dans tout orifice de l'appareil.
- Ne faites pas passer le cordon électrique sous la moquette.
- Ne recouvrez pas le cordon électrique avec des carpettes, des tapis d'escalier ou tout autre revêtement similaire.
- Ne faites pas passer le cordon électrique sous les meubles ni les appareils électroménagers. Disposez le cordon électrique à l'écart de la zone de passage et où personne ne risque de trébucher dessus.
- N'utilisez JAMAIS un appareil dont le cordon d'alimentation ou la fiche est endommagé, dont le moteur du ventilateur ne tourne plus, à la suite d'une défaillance ou d'une panne, ou qui est tombé ou est endommagé de quelque manière que ce soit. Veuillez communiquer avec le service à la clientèle au 1.866.603.5900 pour obtenir de l'aide.
- N'utilisez l'appareil que conformément à son utilisation prévue et décrite dans le présent manuel. Toute utilisation autre que celles recommandées par le fabricant risque de provoquer un incendie, un choc électrique ou des blessures.
- N'utilisez PAS cet appareil à l'extérieur.
- N'obstruez JAMAIS les sorties d'air, les grilles de protection ou les prises de l'appareil. Ne placez JAMAIS l'appareil sur une surface molle, telle qu'un lit ou un canapé, car cela risque de faire tomber l'appareil, obstruant la sortie ou l'entrée d'air.

- N'essayez PAS de réparer ou de régler toute fonction électrique ou mécanique de cet appareil. Agir ainsi annulera la garantie. L'intérieur de cet appareil ne contient aucune pièce remplaçable. Toute réparation doit être faite uniquement par un professionnel qualifié.
- NE METTEZ rien sur l'appareil.
- Les enfants ne peuvent pas identifier les risques liés à l'utilisation des appareils électriques. Pour cette raison, surveillez toujours les enfants lorsqu'ils sont à proximité du purificateur d'air.
- **AVERTISSEMENT:** Pour réduire le risque d'incendie ou de choc électrique ne pas utiliser ce ventilateur avec un dispositif de commande de la vitesse à semi-conducteurs quel qu'il soit.
- **AVERTISSEMENT:** Ne regardez pas directement la lumière émise par la lampe dans cet appareil pour éviter des dommages à la peau ou aux yeux. Débranchez toujours l'alimentation avant de remplacer la lampe ou d'entretenir l'appareil. Remplacez la lampe avec de lampe fabriquée par Guardian Technologies.
- Débranchez toujours l'appareil avant d'effectuer tout nettoyage ou tout entretien.
- **MISE EN GARDE:** N'utilisez PAS d'essence, de benzène, de diluant ou de nettoyants puissants (entre autres) pour nettoyer la surface intérieure ou l'extérieur de l'appareil, car cela risque de l'endommager. N'utilisez JAMAIS d'alcool ni d'autres dissolvants.

L'ozone moyenne pondérée dans le temps de 8 heures pour ce produit est de 0,001 ppmv lors de tests dans une chambre de 30 m³. Le produit est conforme avec la concentration maximale permise d'ozone de 0,05 parties par million par volume (ppmv) dans une période de 24 heures. Les lignes directrices de Santé Canada 2010 recommandent que la limite d'exposition maximale, selon un temps moyen de 8 heures, soit de 0,020 ppmv ou moins lors de tests dans une salle hermétique et contrôlée d'environ 30 m³.



WARNING: Cancer et effet nocif sur la reproduction
www.P65Warnings.ca.gov



L'AMPOULE CONTIENT DU MERCURE



**Veuillez respecter les exigences en matière de déversement, d'élimination et de nettoyage.
En cas de bris, suivez les consignes fournies par les sources ci-dessous pour le nettoyage.**

www.epa.gov/cficleanup 1-866-284-4010



Le label ENERGY STAR a été attribué à ce produit pour avoir satisfait les normes d'efficacité énergétique strictes établies par l'agence américaine de protection de l'environnement (EPA). Les purificateurs d'air ambiant ont démontré qu'ils pouvaient améliorer la qualité de l'air et avoir des effets bénéfiques sur la santé. L'agence américaine de protection de l'environnement n'appuie pas les déclarations des fabricants concernant la mesure dans laquelle un produit spécifique produira un air intérieur plus sain. L'efficacité énergétique de ce modèle répondant aux exigences qui lui permettent de porter le symbole ENERGY STAR est mesurée selon le rapport entre le débit d'air purifié (Clean Air Delivery Rate ou CADR) du modèle pour la fumée et l'énergie électrique qu'il consomme, ou CADR/watts.

SPÉCIFICATIONS DU PRODUIT ET PIÈCES

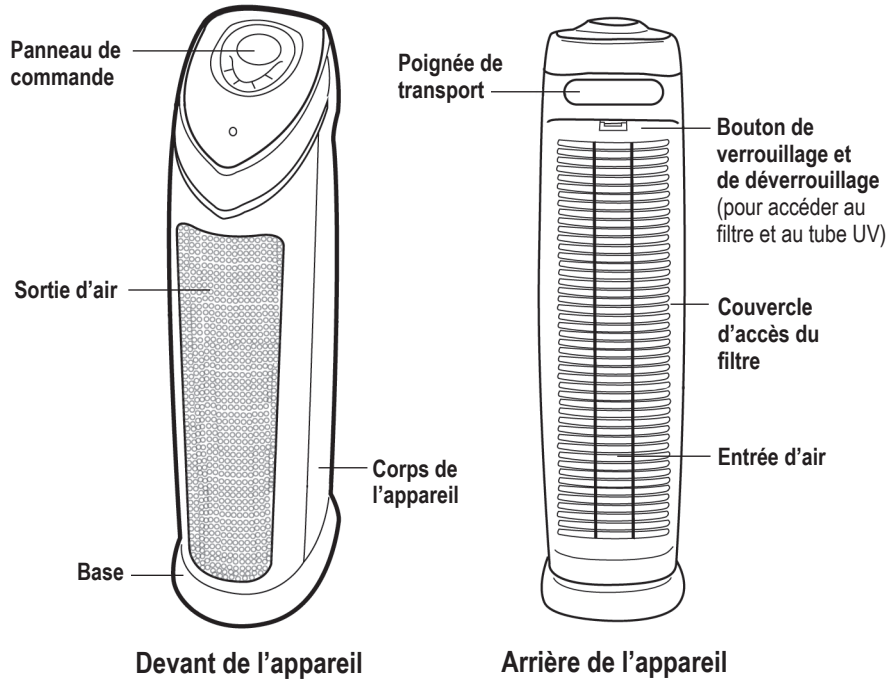
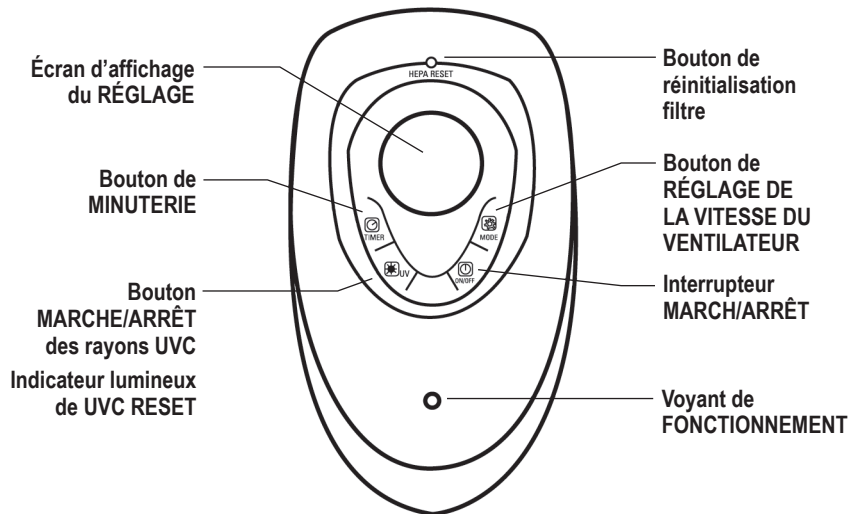


Tableau de commande



PIÈCES DE RECHANGE



SYSTÈME DE PURIFICATION D'AIR

Améliorez la qualité de l'air intérieur grâce à ce nouveau système complet de purification de l'air à filtre et à rayon UVC de germguardian. Les multiples niveaux de purification incluent l'action conjointe du filtre pour retenir les allergènes et les acariens que du filtre à charbon pour éliminer les odeurs. La technologie à rayon UVC améliore l'élimination des germes.

Préfiltre* - Retient les particules de poussière et d'allergènes initiales.

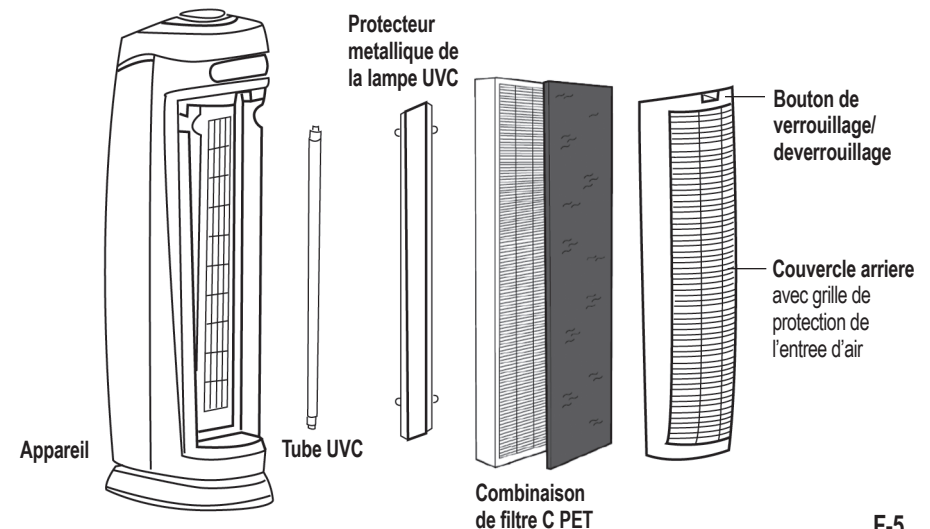
Filtre à charbon - Permet le contrôle et la prévention de la prolifération des bactéries, des germes et des moisissures.

Traitement Pet Pure™ - Le filtre est traité d'un agent antimicrobien afin d'inhiber la prolifération des moisissures et des bactéries responsables des mauvaises odeurs sur la surface du filtre.

Lampe à rayon UVC - La technologie des rayons UV-C fonctionne avec du dioxyde de titane (TiO₂) pour améliorer l'élimination des germes en suspension dans l'air. Le dioxyde de titane est activé par les rayons UV-C pour décomposer les molécules d'odeurs causées par la fumée, la cuisine et les animaux domestiques.

*Le préfiltre et le filtre au charbon sont combinés en un seul filtre que s'accroche au filtre et anti-acariens.

NIVEAUX DE LA PURIFICATION DE L'AIR



INSTRUCTIONS D'UTILISATION

AVANT D'UTILISER LE PURIFICATEUR D'AIR:

1. Retirer avec précaution le purificateur d'air et la combinaison de filtres de la boîte et du sac de protection.
2. Choisissez une surface dure, plane et de niveau pour y poser l'appareil.
 - Pour un bon écoulement de l'air placez l'appareil à au moins 30cm de tout mur et de tout meuble.
 - Vérifiez qu'aucune des grilles de protection n'est obstruée.
3. Branchez le cordon d'alimentation dans une prise de courant standard de 120V c.a.

IMPORTANT: Lors du transport de l'appareil, soulevez-le toujours à l'aide de la poignée située à l'arrière.

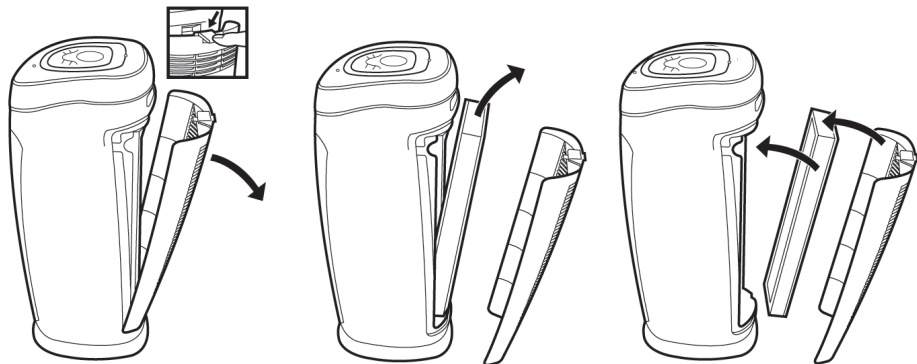
FONCTIONNEMENT DU SYSTÈME DE PURIFICATION

1. Mettez l'interrupteur en position de MARCHE (on).
2. Sélectionnez la vitesse du ventilateur, MODE 1 à 5.
(1 = a plus lente; 5 = la plus rapide)
3. Sélectionnez l'activation ou la désactivation des rayons UVC à l'aide du bouton UV.
4. **MINUTERIE:** si vous préférez faire fonctionner le système de purification d'air pendant un nombre donné d'heures, vous pouvez sélectionner entre 1 et 8 heures sur l'écran d'affichage.

REPLACEMENT DU FILTRE

Le purificateur d'air émet un bip pendant 30 secondes et l'indicateur lumineux de réinitialisation HEPA clignote sans interruption lorsqu'il est temps de remplacer le filtre. Remplacez le filtre conformément aux instructions puis insérez la pointe d'un crayon dans le bouton réinitialisation HEPA (HEPA reset) sur le tableau de commande pour remettre à zéro le système. Selon l'utilisation, la durée de vie du filtre est d'environ 6 mois.

1. Éteignez et débranchez l'appareil.



2. Appuyez sur le bouton de verrouillage/déverrouillage et retirez le couvercle à l'arrière de l'appareil.
 3. Retirez la combinaison de filtres usagée et mettez-la au rebut.
 4. Insérez la nouvelle combinaison de filtres dans l'appareil. Observez la flèche sur le filtre afin de l'insérer correctement.
5. Reattachez le couvercle arrière de l'appareil et verrouillez-le bien en place.
 6. Remplacez le filtre conformément aux instructions puis insérez la pointe d'un crayon dans le bouton réinitialisation HEPA (HEPA reset) sur le tableau de commande pour remettre à zéro le système

NETTOYAGE ET ENTRETIEN DE LA COMBINAISON DE FILTRES

Faites l'entretien du filtre en le vérifiant fréquemment.

Selon les conditions de la qualité de l'air, vous pourriez devoir le remplacer plus fréquemment.

Aspirez la couche du filtre à charbons si requis pour enlever les débris lâches et la poussière, et pour aider à prolonger la durée de vie de votre filtre.

Pour vérifier le statut du filtre, enlevez la couche de carbone pour monter le filtre plissé.

Si le filtre n'est plus blanc et qu'il est couvert d'une poussière grise et d'une saleté, il doit être remplacé.

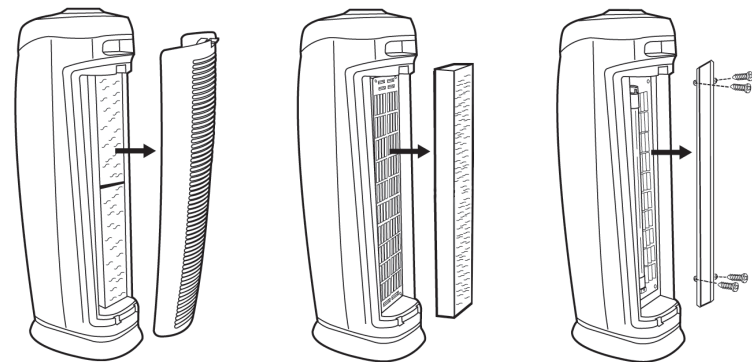
IMPORTANT : ne lavez PAS et ne réutilisez PAS la combinaison de filtres.

IMPORTANT : Pour maintenir la garantie et la performance du nettoyeur d'air, n'utilisez que des pièces AUTHENTIQUES de rechange de Guardian Technologies.

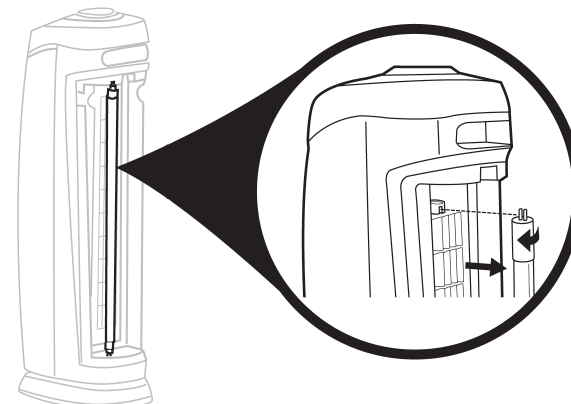
INSTALLER ET RETIRER LE TUBE UVC

Voyant de remplacement du tube UV : L'anneau lumineux bleu sur le devant du tableau de commande du système de purification d'air clignote lorsqu'il est temps de remplacer le tube.

1. Arrêtez l'appareil et débranchez-le.



2. Retirez le couvercle arrière de l'appareil en appuyant sur le bouton de verrouillage/déverrouillage.
 3. Après avoir retiré le couvercle arrière de l'appareil, enlevez la combinaison de filtres.
 4. Après avoir retiré le filtre combiné, utilisez un tournevis cruciforme pour dévisser les 4 vis et détacher le protecteur métallique de la lampe UVC.
5. Pour retirer le tube UVC, saisissez-le en utilisant un chiffon ou un mouchoir en papier propre et tirez dessus pour le dégager de l'appareil.



6. Pour réinstaller le tube UVC, faites-le glisser horizontalement dans la fente en haut de l'appareil.
7. Réinitialisez l'éclairage UV en maintenant appuyé le bouton « UV » pendant 5 secondes.

Le tube est INVISIBLE tant que le PROTECTEUR MÉTALLIQUE DU TUBE UVC n'est pas retiré.

Remarque: N'enfoncez PAS d'objets, ni vos doigts, à l'intérieur de l'appareil.

Avertissement: N'utilisez PAS d'essence, de benzine, de diluant ou de nettoyeurs puissants (entre autres) pour nettoyer la surface intérieure ou l'extérieur de l'appareil, car cela risque de l'endommager. **JAMAIS** d'alcool ni d'autres dissolvants.

GUIDE DE DEPANNAGE

PROBLÈME	SOLUTION
L'appareil ne fonctionne pas.	Vérifiez que l'appareil est branché. Vérifiez que le filtre est bien en place. Confirmez que le filtre de rechange est un filtre authentique la clientèle. Veuillez communiquer avec le service à la clientèle.
L'appareil s'éteint intempestivement.	Vérifiez que l'appareil est branché à une prise de courant fonctionnelle. Vérifiez que le filtre HEPA est bien en place. Vérifiez que le couvercle arrière est bien verrouillé. Veuillez communiquer avec le service à la clientèle.
Il n'y a pas de circulation d'air.	Débranchez l'appareil. Vérifiez le préfiltre au charbon et le filtre. Nettoyez le préfiltre au charbon au besoin. Remplacez le filtre au besoin.
Augmentation du niveau de bruit.	Assurez-vous que les filtres sont propres. Remplacez-les au besoin.
Les boutons de réglage émettent un bip à chaque pression.	Pour désactiver le « bip » à la pression des boutons : 1. Maintenez enfoncés simultanément les boutons MINUTERIE et UV pendant 3 secondes. L'émission du « bip » est automatiquement réactivée (ON) à la suite du débranchement de l'appareil.
La unidad emite un sonido prolongado (durante 30 segundos aproximadamente)	Es el momento de cambiar el filtro

Qu'est-ce que le CADR?

CADR est l'acronyme de Clean Air Delivery Rate, soit le volume d'air filtré produit par un purificateur d'air. Le classement CADR indique l'efficacité d'un purificateur d'air dans sa filtration des particules fines, telles que la fumée de tabac et les pollens de plantes, dans une pièce.

Débit d'air pur

Comparez les performances des différents purificateurs d'air à l'aide du CADR. Premièrement, repérez la superficie de la pièce suggérée. Puis, consultez les données CADR. Plus la valeur est élevée, plus l'appareil filtre rapidement l'air.

Reportez-vous au site Web pour chaque modèle de numéros CADR

GARANTÍA LIMITADA

Para el consumidor, Guardian Technologies LLC garantiza que este producto se encuentra libre de defectos de materiales o mano de obra a partir de la fecha de compra original. Para poder ser elegible para esta Garantía limitada, se requiere presentar el recibo original de la venta o un comprobante de compra sustituto comparable que lleve la fecha de la compra original. Consulte la caja original del producto o la página del producto/modelo específico en el sitio web de Guardian Technologies para consultar la duración de la garantía de su modelo en particular. Esta garantía aplica solamente para el comprador original de este producto, a partir de la fecha original de compra. Esta garantía cubre únicamente los productos comprados a distribuidores autorizados.

Esta garantía aplica para reparaciones o reemplazos de productos con defectos en el material o en la mano de obra. Esta garantía no aplica para los daños que se deriven del desgaste inusual; el uso comercial, abusivo, irrazonable, o daños suplementarios. Esta garantía no cubre los daños que se deriven de reparaciones no autorizadas, o de algún uso que no esté de acuerdo con este manual de instrucciones. Los defectos que se deriven del uso y desgaste normales no se considerarán defectos de fábrica bajo esta garantía.

Si durante el período de garantía se detecta que el producto está defectuoso, repararemos o reemplazaremos las piezas defectuosas sin ningún costo. Guardian Technologies LLC deberá realizar todas las reparaciones de garantía. Esta garantía le otorga derechos legales específicos y usted pudiera tener otros derechos adicionales (los cuales varían en cada estado de los EE.UU.)

Para presentar un producto para garantía, la máquina completa se debe enviar, con el envío pagado con anterioridad, a Guardian Technologies LLC. El envío debe contener la información completa, que incluye: el problema, el número de modelo del producto, el día de la compra y una copia del recibo de compra original, junto con su nombre, dirección y teléfono (correo electrónico opcional). Envíe el producto para devolución a: Servicio al cliente, a la siguiente dirección. Si tiene alguna pregunta o comentario, puede llamar a la línea telefónica gratuita indicada más adelante.

EE.UU. y Canadá
Guardian Technologies LLC
26251 Bluestone Blvd.
Euclid, Ohio 44132
1.866.603.5900
www.guardiantechnologies.com

Visite www.guardiantechnologies.com para registrar su producto. Consideramos que el proceso de registro es importante para garantizar un servicio superior a nuestros clientes; sin embargo, el envío de la tarjeta de garantía es opcional y no afecta sus derechos para utilizar la garantía de acuerdo a las condiciones estipuladas anteriormente.

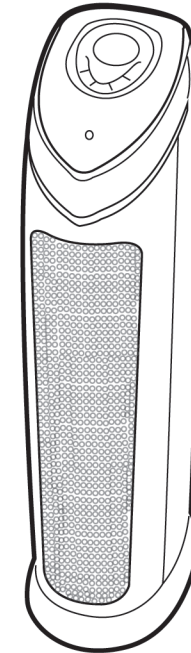
Se pueden obtener copias adicionales al acceder directamente a nuestro sitio web para imprimirlas, o al llamar al departamento de servicio al cliente.



©2016 Guardian Technologies LLC



USE & CARE INSTRUCTIONS



Sistema Completo para la Limpieza del Aire con Filtro Pet Pure™

NÚMERO DE MODELO: AC5250PT

Garantía limitada por 5 año

Departamento Deservicio

1.866.603.5900

www.guardiantechnologies.com

Fecha de compra mes _____ año _____

Inglés E - 1 Francés F - 1 Español S - 1

Utilice únicamente piezas de repuesto GENUINAS de Guardian Technologies.

REV0920

LEA Y GUARDE ESTAS INSTRUCCIONES ADVERTENCIAS

El no cumplir las advertencias que se enumeran a continuación puede provocar un choque eléctrico o lesiones severas.



Debe usarse este producto sólo de acuerdo a las especificaciones descritas en este manual. Usarlo de una manera diferente a lo indicado puede ocasionar lesiones severas.

Al usar un electrodoméstico, debe seguir siempre ciertas precauciones básicas para disminuir el riesgo de incendio, choque eléctrico y lesiones personales, las cuales incluyen todo lo siguiente:

- Antes de usar el electrodoméstico, lea todas las instrucciones.
- **IMPORTANTE** - Como una característica adicional, esta luminaria portátil tiene una clavija polarizada (una hoja es más ancha que la otra) con el fin de reducir el riesgo de choque eléctrico. Esta clavija encajará en un tomacorriente polarizado de una manera solamente. Si la clavija no encaja bien en el tomacorriente, invierta la clavija. Si aún así no encaja, póngase en contacto con un electricista calificados. Nunca use una extensión eléctrica a menos que la clavija pueda insertarse por completo. No modifique la clavija.
- Para evitar un incendio o choque eléctrico, conecte directamente el aparato a un tomacorriente de 120 V de corriente CA.
- Mantenga el cordón eléctrico alejado de las áreas de gran tránsito peatonal. Para evitar el riesgo de incendio, NUNCA ponga el cordón eléctrico debajo de las alfombras, ni cerca de rejillas de calefacción, radiadores, estufas ni calentadores.
- Para evitar los riesgos eléctricos, NO sumerja este aparato en agua o en otros líquidos. No use este aparato cerca del agua.
- Es necesario tener extrema precaución al utilizar cualquier aparato cerca de niños o personas discapacitadas, y siempre que el aparato se deje funcionando sin atención.
- Desconecte siempre el purificador de aire antes de moverlo, abrir la rejilla, cambiar los filtros, antes de limpiarlo o cuando no lo use. Asegúrese de desconectarlo tomándolo del enchufe, no del cordón eléctrico.
- NUNCA deje caer ni inserte un objeto en cualquier abertura.
- No pase el cordón eléctrico por debajo de la alfombra.
- No cubra el cordón eléctrico con tapetes, plásticos protectores para alfombrado o cubiertas similares.
- No pase el cordón eléctrico por debajo de los muebles o aparatos electrodomésticos. Mantenga el cordón eléctrico alejado de las áreas de gran tránsito peatonal y de los lugares en que pueda provocar tropezones.
- NO utilice ningún aparato cuyo cordón eléctrico o clavija estén dañados, si el motor del ventilador no gira, si el aparato no funciona correctamente o si se ha caído o dañado de alguna forma. Si necesita ayuda, llame al departamento de servicio al cliente al 1.866.603.5900.
- Use este aparato únicamente para el uso doméstico previsto, como se describe en este manual. Cualquier otro tipo de uso no recomendado por el fabricante podría provocar un incendio, choque eléctrico o lesiones personales.
- No se debe utilizar en exteriores.
- NUNCA bloquee las aberturas para el aire, las rejillas/salidas del aparato, ni coloque el producto sobre una superficie suave, como una cama o sofá, ya que esto podría provocar que el aparato se vuelque, se bloquee la abertura de entrada o la salida del aire.
- No intente reparar o ajustar un funcionamiento eléctrico o mecánico incorrecto de esta unidad. El hacerlo anulará la garantía. El interior del aparato no contiene piezas que requieren mantenimiento. Todas las labores de servicio y mantenimiento deben ser realizadas sólo por personal calificado.

- NO coloque ningún objeto en la parte superior de la unidad.
- Los niños no pueden percatarse de los riesgos asociados con el uso de aparatos electrodomésticos. Por este motivo siempre debe vigilar a los niños cuando se encuentren cerca del purificador de aire. (una hoja es más ancha que la otra) con el fin de reducir el riesgo de choque eléctrico. Esta clavija
- **ADVERTENCIA:** Para disminuir el riesgo de incendio o choque eléctrico, no utilice este ventilador con ningún dispositivo de control de velocidad de estado sólido.
- **ADVERTENCIA:** Ver directamente la luz producida por la lámpara de este aparato podría ocasionar daños en la piel o en los ojos. Siempre desconecte la corriente antes de reemplazar o darle mantenimiento a la lámpara. Reemplace la lámpara con la lámpara fabricado por Guardian Technologies.
- Desconecte siempre la unidad antes de limpiarla o darle mantenimiento.
- **PRECAUCIÓN:** NO utilice gasolina, benceno, solvente, limpiadores agresivos, etc. para limpiar el interior y el exterior de la unidad, ya que podrían dañar el aparato. NUNCA utilice alcohol ni otro tipo de solventes.

El valor límite de umbral (TWA) de ozono durante 8 horas de este producto es 0.001 ppmv cuando se prueba en una habitación de 30 m³. El producto cumple con la concentración máxima permisible de ozono, de 0.050 partes por millón por volumen (ppmv) en un período de 24 horas. Los Lineamientos de salud de Canadá de 2010 recomiendan que el límite máximo de exposición, basado en un tiempo promedio de 8 horas, es de 0.020 ppmv o menor, cuando se ha probado en una habitación confinada y controlada de aproximadamente 30 m³.



ADVERTENCIA: Cáncer o daño reproductivo.
Para mayor información, visite www.P65Warnings.ca.gov.



LA BOMBILLA CONTIENE MERCURIO



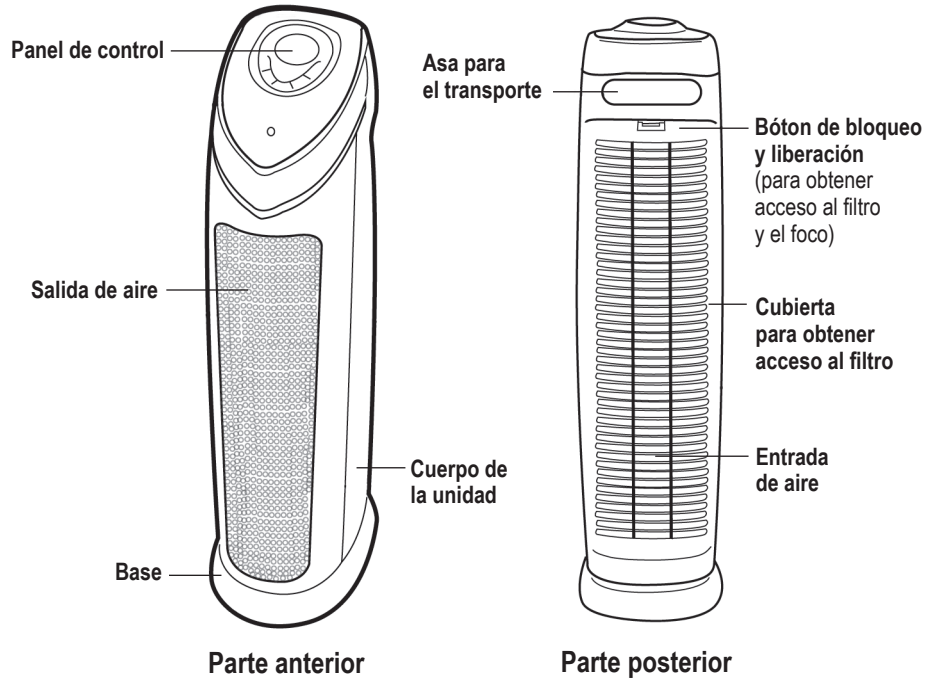
Manipule según las exigencias sobre derrames, eliminación y limpieza de derrames. En caso de romper, siga el método de limpieza proporcionado por los siguientes contactos.

www.epa.gov/cflcleanup 1-866-284-4010

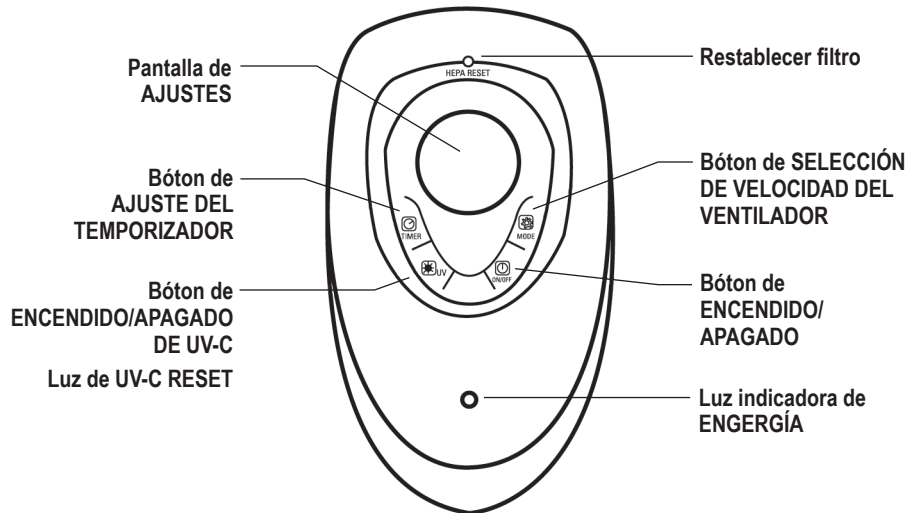


Este producto obtuvo la certificación ENERGY STAR mediante el cumplimiento de estrictas normas de ahorro de energía establecidas por la Agencia de Protección Ambiental (EPA, por su sigla en inglés) de los Estados Unidos. Los purificadores de aire para habitaciones han demostrado tener potencial para mejorar la calidad del aire y brindar beneficios para la salud. La EPA de los Estados Unidos no respalda las afirmaciones hechas por cualquier fabricante sobre la obtención de una calidad de aire en interiores más saludable debido al uso de un determinado producto. La eficiencia energética de este modelo con la certificación ENERGY STAR se mide con base en la proporción del promedio de emisión de aire puro (CADR, por su sigla en inglés) del modelo para el humo y la energía eléctrica que consume, o CADR/vatio.

ESPECIFICACIONES Y PARTES DEL PRODUCTO



PANEL DE CONTROL



PARTES DE REPUESTOCOC



DIGITAL AIR CLEANING SYSTEM

Mejore la calidad del aire dentro de su hogar con un sistema completo para la limpieza del aire UV-C y con filtro genuino germguardian. Los diversos niveles de purificación incluyen un filtro combinado genuino que absorbe los alérgenos, un filtro de carbón para eliminar los olores. La tecnología de luz UV-C mejora el poder de erradicación de gérmenes.

Prefiltro* - Absorbe las primeras partículas de polvo y alérgenos.

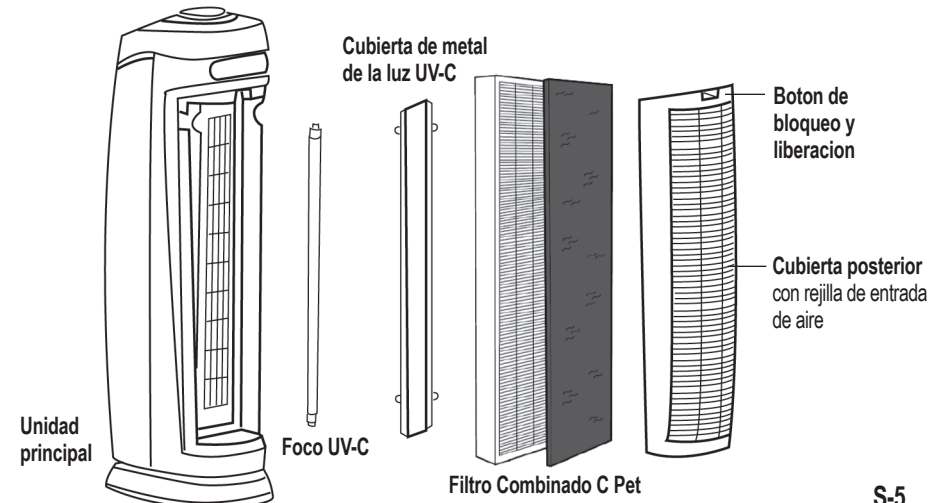
Conocido También Como Carbón Activado - Contribuye a controlar y prevenir la proliferación de bacterias, gérmenes y moho.

Tratamiento Pet Pure™ - Filtro tratado con un agente antimicrobiano para evitar el crecimiento de moho, roya y bacterias que provocan malos olores en la superficie del filtro

Luz UV-C - La tecnología de la luz UV-C trabaja con dióxido de titanio (TiO₂) para mejorarla eliminación de los gérmenes suspendidos en el aire. La luz UV-C activa el dióxido de titanio para descomponer las moléculas del olor que quedan al fumar, al cocinar y los olores de las mascotas.

*El prefiltro y el filtro de carbon se encuentran combinados en una sola capa que se fija al filtro.

NIVELES DE PURIFICACIÓN DEL AIRE



INSTRUCCIONES DE FUNCIONAMIENTO

ANTES DE PONER A FUNCIONAR EL PURIFICADOR DE AIRE:

1. Saque cuidadosamente el purificador de aire y el filtro combinado de la caja y la bolsa.
2. Elija una superficie firme, plana y nivelada para colocar el purificador de aire.
 - Para que el flujo de aire sea adecuado, ubique el aparato al menos a una distancia de 30.5cm de la pared o muebles.
 - Verifique que ninguna de las rejillas este bloqueada.
3. Conecte el cordón eléctrico a un tomacorriente de 120V de corriente CA.

IMPORTANTE: Para mover el purificador de aire, levante siempre el aparato con el asa para el transporte ubicada en la parte posterior.

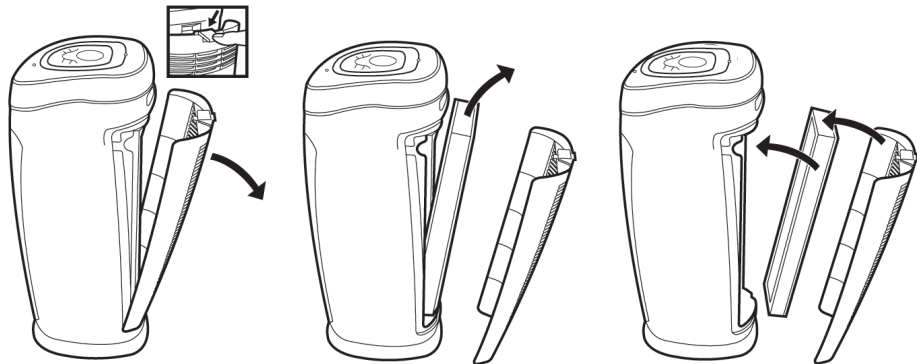
FUNCIONAMIENTO DEL PURIFICADOR DE AIRE:

1. Encienda la unidad.
2. Seleccione la velocidad del ventilador, Modo 1 a 5.
(1 = velocidad mínima; 5 = velocidad máxima)
3. Active o desactive la luz UV-C con el botón de ENCENDIDO/APAGADO de UV-C.
4. **TEMPORIZADOR:** Si prefiere dejar funcionando el purificador durante varias horas, en la pantalla puede elegir de 1 a 8 horas.

INSTALACIÓN Y RETIRO DEL FILTRO

El purificador de aire emitirá un sonido durante 30 segundos y la luz restablecer filtro HEPA destellará continuamente para indicar que es el momento de reemplazar el filtro. Reemplace el filtro según las instrucciones y enseguida inserta la punta de un bolígrafo en el área restablecer filtro HEPA en el panel de control para volver a encender el sistema. Dependiendo del uso del aparato, el filtro puede durar 6 meses aproximadamente.

1. Apague y desconecte la unidad.



2. Oprima el botón de bloqueo y liberación y retire la cubierta posterior de la unidad.
3. Quite el filtro combinado usado y deséchelo en la basura regular.
4. Instale un filtro combinado nuevo en el purificador de aire. Consulte la flecha que se encuentra dibujada en el filtro para instalarlo en la dirección correcta.
5. Vuelva a colocar la cubierta de la unidad y asegúrela en su sitio.
6. Reemplace el filtro según las instrucciones y enseguida inserta la punta de un bolígrafo en el área establecer filtro HEPA en el panel de control para volver a encender el sistema.

NETTOYAGE ET ENTRETIEN DE LA COMBINAISON DE FILTRES

Mantenga el filtro revisándolo frecuentemente.

Según las condiciones de la calidad del aire, podría necesitar reemplazarlo más frecuentemente.

Aspire la capa del filtro de carbón tan seguido como sea necesario para retirar los escombros sueltos y el polvo, y para ayudar a prolongar la vida de su filtro. (Consulte la pag. E5 para ver las capas del filtro).

Para revisar el estado del filtro, retire la capa de carbón para exponer el filtro plisado. Si el filtro ya no es de color blanco y está cubierto con polvo gris suciedad, debe reemplazarlo.

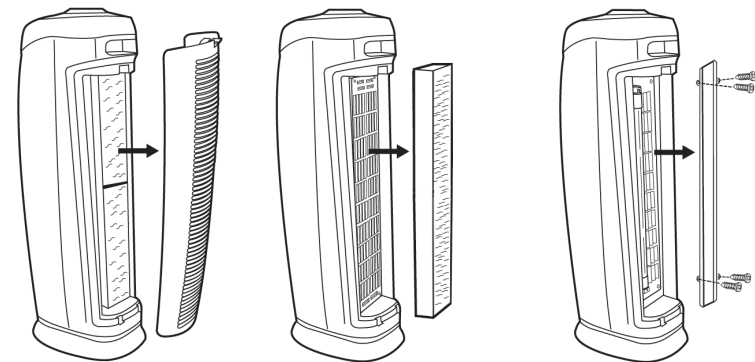
Important : ne lavez PAS et ne réutilisez PAS la combinaison de filtres.

IMPORTANTE: Para mantener la garantía y el desempeño del purificador de aire, utilice únicamente piezas de repuesto GENUINAS de Guardian Technologies.

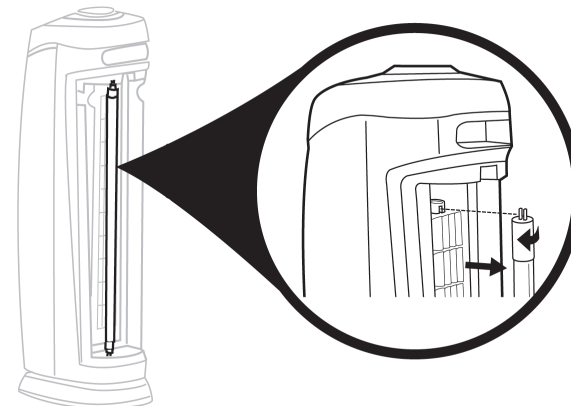
INSTALACIÓN Y RETIRO EL FOCO UV-C

Indicador de reemplazo del foco UV: la luz circular azul en el panel frontal del purificador parpadeará cuando sea el momento de reemplazar el foco.

1. Apague y desconecte la unidad.



2. Retire la cubierta posterior de la unidad oprimiendo el botón de bloqueo y liberación.
3. Después de retirar la cubierta posterior de la unidad, quite el filtro combinado.
4. Después de quitar el filtro combinado, utilice un destornillador Philips para retirar los 4 tornillos y quitar la cubierta de metal de la luz UV-C.
5. El foco UV-C se retira tomándolo cuidadosamente con un paño limpio pañuelo desechable y tirando del mismo para sacarlo de la unidad.
6. El foco UV-C se vuelve a instalar deslizando de manera horizontal para insertarlo en las ranuras que se encuentran en la parte superior de la unidad.
7. Presione y sostenga el botón de control de la luz UV durante 5 segundos para restablecer el indicador de cambio del foco de luz UV.



El foco NO puede verse hasta que se retira la cubierta de metal de la luz UV-C.

NOTA: NO introduzca ningún objeto extraño ni sus dedos de la unidad.

PRECAUCION: NO utilice gasolina, bencina, solvente, limpiadores agresivos, etc. para limpiar el interior y el exterior de la unidad, ya que podrían dañar el aparato.

NUNCA utilice alcohol ni otro tipo de solventes.

GUÍA DE SOLUCIÓN DE PROBLEMAS

PROBLEMAS	SOLUCIÓN
La unidad no funciona.	Verifique que la unidad esté conectada. Verifique que el filtro esté en su lugar. Confirme que el filtro sea un reemplazo genuino para el filtro. Llame al departamento de servicio al cliente.
La unidad se apaga de forma imprevista.	Verifique que la unidad esté conectada en un tomacorriente que funcione perfectamente. Verifique que el filtro esté asegurado en su sitio. Verifique que la cubierta posterior esté asegurada firmemente en su sitio. Llame al departamento de servicio al cliente.
La unidad no hace circular aire.	Desconecte la unidad. Revise el prefiltro/filtro de carbón y el filtro. Limpie el prefiltro/filtro de carbón si es necesario. Reemplace el filtro si es necesario.
Incremento del nivel de ruido.	Cerciórese que los filtros estén limpios. Reemplácelos si es necesario.
Los botones de control emiten un sonido cuando se oprimen.	Para apagar el sonido cuando se oprimen los botones: 1. Oprima y mantenga oprimidos los botones TEMPORIZADOR Y UV durante 3 segundos. 2. Seleccione ENCENDIDO/APAGADO. El sonido se restablecerá automáticamente a ENCENDIDO cuando la unidad está desconectada.
La unidad emite un sonido prolongado (durante 30 segundos aproximadamente).	Es el momento de cambiar el filtro.

¿Qué significa CADR?

CADR es la sigla en inglés de Clean Air Delivery Rate, e indica el volumen de aire filtrado por un purificador de aire. Las clasificaciones CADR muestran la efectividad del purificador de aire para atrapar las partículas finas del humo del tabaco y pólenes en la habitación, entre otras.

Promedio de emisión de aire puro

Compare los números CADR entre un purificador de aire y otro. Mire primero el tamaño de la habitación para la cual se recomienda. Enseguida, consulte los números del promedio de emisión de aire puro (CADR). Mientras más elevado sea el número, más rápidamente se filtra el aire.

Consulte el sitio web para los números CADR modelo individuales.