

LIMITED WARRANTY

To the consumer, Guardian Technologies LLC warrants this product to be free of defects in materials or workmanship commencing upon the date of the original purchase. In order to be eligible for this Limited Warranty, an original sales receipt or comparable substitute proof of purchase bearing the date of original purchase is required. Refer to the original product carton or specific product/model page on the Guardian Technologies website for warranty length for your particular model. This warranty applies only to the original purchaser of this product from the original date of purchase. This warranty covers product purchased from authorized distributors only.

This warranty applies to repair or replacement of product found to be defective in materials or workmanship. This warranty does not apply to damage resulting from unusual wear, commercial, abusive, unreasonable use or supplemental damage. This warranty does not cover damage from unauthorized repairs or from any use not in accordance with the instruction manual. Defects that are the result of normal wear and tear will not be considered manufacturing defects under this warranty.

If this product should become defective within the warranty period, we will repair or replace any defective parts free of charge. All warranty repairs must be completed by Guardian Technologies LLC. This warranty gives you specific legal rights and you may also have other rights (other rights may vary from state to state in the U.S.A.)

To submit product under warranty the complete machine must be delivered pre-paid to Guardian Technologies LLC. Please include complete information including: the problem, the model number of the product, the day of purchase, and a copy of the original sales receipt along with your name, address, and telephone (email optional). Address returns to the attention of: Customer Service, at the address below. Additional questions or comments can be made toll free to the number listed below.

USA and Canada
Guardian Technologies LLC
26251 Bluestone Blvd.
Euclid, Ohio 44132
1.866.603.5900
www.guardiantechnologies.com

Please go to www.guardiantechnologies.com to register your product. We consider the registration process important to ensuring superior service to our customers, however submitting the warranty registration is optional and does not affect your rights to utilize this warranty according to the conditions stated above.

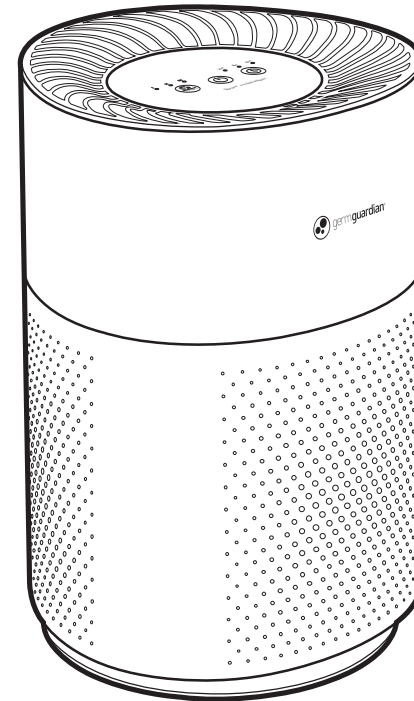
Additional copies of the instruction manual can be obtained by accessing and printing directly from our website or calling customer service.



©2016 Guardian Technologies LLC



USE & CARE INSTRUCTIONS



Allergen and Odor Reducing Air Purifier

Model No. AC4200

3-Year Limited Warranty

Customer Service

1.866.603.5900

www.guardiantechnologies.com

Date Purchased month _____ year _____

English E - 1 French F - 1 Spanish S - 1

Use GENUINE Guardian Technologies replacement parts only.

REV0619

READ AND SAVE THESE INSTRUCTIONS

WARNINGS

Failure to comply with the warnings listed below may result in electric shock or serious injury.



This product should be used only in accordance with the specifications outlined in this manual. Usage other than what has been specified here may result in serious injury.

When using electrical appliances, basic precautions should always be followed to reduce the risk of fire, electric shock and injury to persons, including the following:

- Read all instructions before using appliance.
- **IMPORTANT** - This appliance has a polarized plug (one blade is wider than the other). To reduce the risk of electric shock, this plug is intended to fit in a polarized outlet only one way. If the plug does not fit fully in the outlet, reverse the plug. If it still does not fit, contact a qualified electrician. Do not attempt to defeat this safety feature.
- To avoid fire or shock hazard, plug the appliance directly into a 120V AC electrical outlet.
- Keep the cord out of heavy traffic areas. To avoid fire hazard, NEVER put the cord under rugs, near heat registers, radiator, stoves or heaters.
- To protect against electrical hazards, DO NOT immerse in water or other liquids. Do not use near water.
- Children cannot recognize the hazards associated with the usage of electrical appliances. For this reason, always supervise children when they are near the unit.
- Always unplug the air purifier before moving it, opening the grill, changing filters, cleaning or whenever the air purifier is not in use. Be sure to pull by the plug and not the cord.
- NEVER drop or insert any object into any openings.
- DO NOT run cord under carpeting.
- DO NOT cover cord with throw rugs, runners, or similar coverings.
- DO NOT route cord under furniture or appliances. Arrange cord away from traffic area and where it will not be tripped over.
- DO NOT operate any appliance with a damaged cord or plug, if motor fan fails to rotate, after the appliance malfunctions, or if it has been dropped or damaged in any manner. Call Customer Service at 1.866.603.5900 for assistance.
- Use appliance only for intended household use as described in this manual. Any other use not recommended by the manufacturer may cause fire, electric shock or injury to persons.
- DO NOT use outdoors.
- DO NOT place anything on top of unit.
- NEVER block the air openings, grills/outlets or place on a soft surface such as a bed or sofa, as this could cause the unit to tip over, blocking the air intake or outtake opening.
- DO NOT attempt to repair or adjust any electrical or mechanical functions on this unit. Doing so will void your warranty. The inside of the unit contains no user serviceable parts. All servicing should be performed by qualified personnel only.

- **WARNING:** To reduce the risk of fire or electric shock, do not use this purifier with any solid-state speed control device.
- Always unplug the unit before before cleaning or servicing in any way.
- **CAUTION:** Do NOT use gasoline, benzene, thinner, harsh cleaners, etc. on and/or in the unit while cleaning as they will damage the product. NEVER use alcohol or other solvents.

The 8 hour TWA Ozone for this product is 0.001 ppmv when tested in a 30 m³ chamber. The product complies with the maximum allowable concentration of ozone of 0.050 parts per million by volume (ppmv) in a 24-hour period. The Health Canada Guideline 2010 recommends that the maximum exposure limit, based on averaging time of 8 hours, is 0.020 ppmv or less when tested in a sealed, controlled room approximately 30 m³.



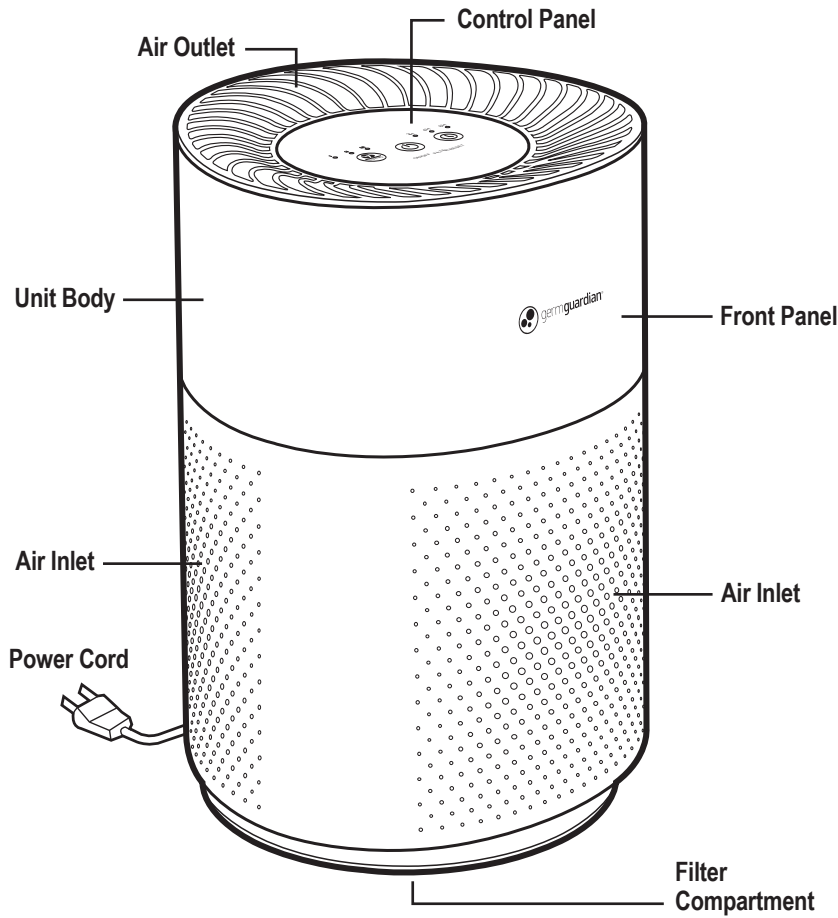
WARNING: This product can expose you to chemicals including lead or lead compounds, which are known to the State of California to cause cancer or birth defects or other reproductive harm. For more information go to www.P65Warnings.ca.gov.



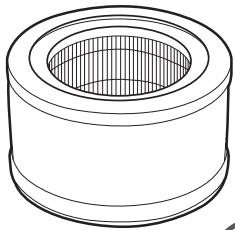
This product earned the ENERGY STAR by meeting strict energy efficiency guidelines set by the US EPA. US EPA does not endorse any manufacturer claims of healthier indoor air from the use of this product. The energy efficiency of this ENERGY STAR qualified model is measured based on a ratio between the model's CADR for Dust and the electrical energy it consumes, or CADR/Watt.

SPECIFICATIONS

Air purifier with HEPA Filter

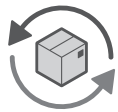
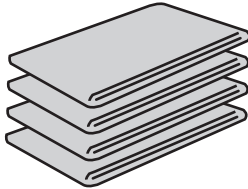


REPLACEMENT PARTS



FILTER: 
Model No. FLT4200

Carbon
Replacement
4-PACK
Model No.
FLT42CB4



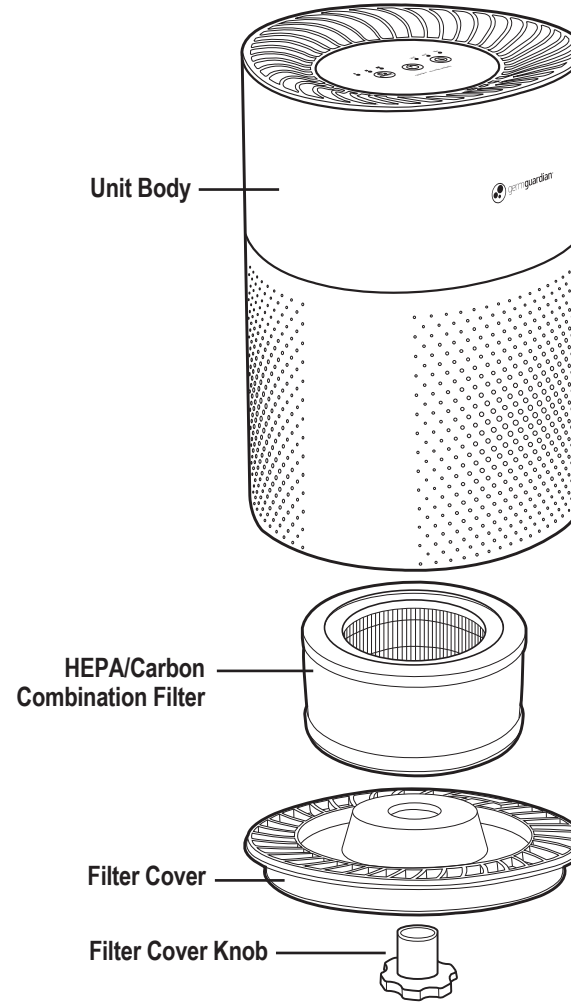
Check out our
AutoShip & Save
Filter Replacement Program™
www.guardiantechnologies.com

IMPORTANT: To maintain performance of the air cleaner, use Guardian Technologies
GENUINE Replacement Parts only. To Purchase Contact Customer Service

AIR CLEANING SYSTEM

Improve your indoor air quality with your new Germguardian Air Purifier. The HEPA filter captures allergens and includes a charcoal filter layer to help reduce household odors.

AIR CLEANING LAYERS



IMPORTANT!

The air purifier is shipped with the filter stored in the filter compartment.
The filter is shipped in a bag to prevent degradation.
Before using, remove and discard bag.

OPERATING INSTRUCTIONS

IMPORTANT: The air purifier is shipped with the filter stored in the filter compartment. The filter is shipped in a bag to prevent degradation. Before using, remove and discard bag.

Note: Proper filter and bottom filter panel installation is necessary for the unit to turn on and run.

BEFORE OPERATING THE AIR PURIFIER

1. Select a firm, level and flat location for the air purifier.
 - For proper air flow, locate the unit at least 1 foot from any wall or furniture.
 - Make sure none of the grills are blocked.

OPERATING THE AIR PURIFIER

1. Turn the unit power ON. The control panel power lights will turn on.
Note: the corresponding control panel lights will turn on depending on features selected.

2. Fan Speed / Turbo / Sleep Mode:

(I) Sleep Mode/Low speed.

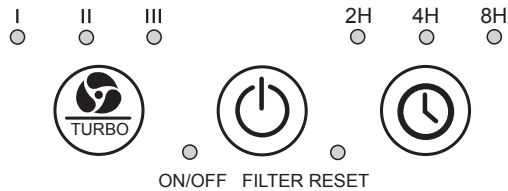
When low speed is on the unit will also enter sleep mode. The light will flash for 5 seconds then the indicator lights will turn off. Press any other button to return the unit from sleep mode.
Note: if timer period ends while in sleep mode, the unit will be turned off as programmed. Press power to restart the unit.

(II) / (III) Fan speed medium and high

Turbo mode. After III mode press the button to enter Turbo (high) fan speed. All 3 fan lights will illuminate when in this mode.

3. Timer
If you prefer to run the purifier for a specific number of hours, you can select **2, 4, or 8** hours by pressing the button and selecting the preferred time.

4. Filter reset
The filter reset indicator will light when it's time to change the filter.
Replace the filter according to instructions (page 7)
Press and hold the On/Off button for 5 seconds to reset the filter light.



RESETTING THE AIR PURIFIER

The air purifier is equipped with a motor protection circuit. If activated, the motor will turn off but leave all remaining lights on. To restart the unit, unplug the unit for at least 10 minutes, then plug back in and power on for normal operation.

Note: if the unit continues to shut down, there may still be an abnormal condition and the unit may need service. Contact Customer Service.

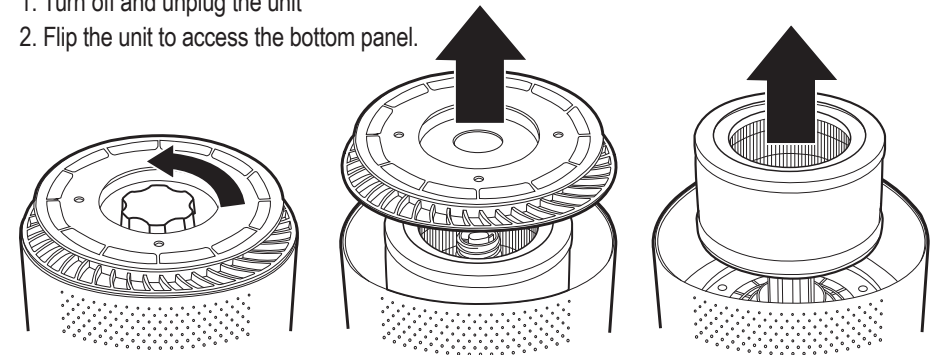
FILTER REPLACEMENT

The "Filter Reset" indicator will light when it is time to replace your filter. Depending on usage and environmental conditions the filter will last approximately 6 months. The inside pleats of the filter will turn from white to grey when it is dirty and needs replacing. It is important to maintain and change the filter to continue to optimize the performance of the air purifier.

IMPORTANT: Do NOT wash and re-use the filter. Please contact Customer Service to purchase a replacement filter or visit guardiantechologies.com.

REMOVE AND REPLACE FILTER

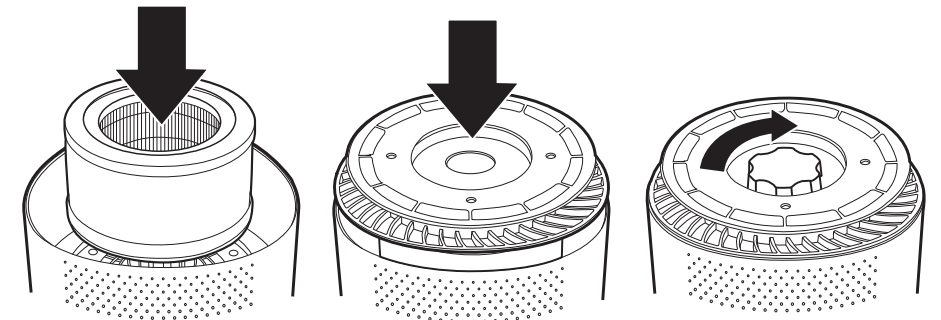
1. Turn off and unplug the unit
2. Flip the unit to access the bottom panel.



3. Turn the knob **LEFT** to open, twisting until knob is removed.

4. Lift bottom plate (filter cover) off of unit.

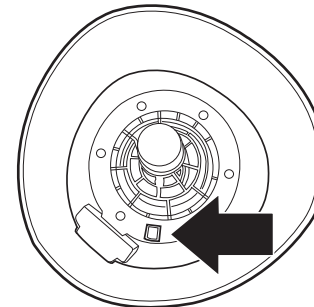
5. Remove and dispose of filter.



6. Replace new filter and lid. Secure, then add return knob and twist **RIGHT** to close.

7. Reset the filter indicator by holding the Power button for 5 seconds.

IMPORTANT: there is a red button inside the filter compartment. If the filter is not placed in properly or the filter cover is not secure, the button won't be activated and the unit will not turn on.



CLEANING & MAINTENANCE

CLEANING

- Always unplug the appliance before you clean it.
- Never immerse the appliance in water or any other liquid.
- Never use aggressive or flammable cleaning agents such as bleach or alcohol to clean any part of the appliance.

BODY OF THE APPLIANCE

Regularly clean the inside and outside of the body to prevent dust from collecting.

1. Wipe away dust with a soft dry cloth from the body of the appliance.
2. Clean the air inlet and the air outlet with a soft dry cloth.

PRE-FILTER SCREEN

The pre-filter/charcoal layer collects larger dust and debris and should be cleaned monthly or more frequently depending on use. Remove and clean regularly with the brush attachment of your vacuum cleaner. This will remove the lint and dirt and help maintain the life of the filter. (See filter replacement to locate and clean or remove the filter).

Note: Do NOT stick any foreign objects or your fingers inside the unit.

Caution: Do NOT use gasoline, benzene, thinner, harsh cleaners, etc. on and/or in the unit while cleaning as they will damage the products.

NEVER use alcohol or other solvents.

TROUBLESHOOTING GUIDE

PROBLEM	SOLUTION
Unit shuts off unexpectedly or does not operate.	Check that the unit is plugged into a working electrical outlet. Check that the filter and bottom filter cover are installed correctly. Check if the motor protector triggered. Unplug/replug into the outlet. Call customer service.
No air circulating from the unit.	Unplug unit. Check filter. Clean or replace filter if necessary.
Odors not removed.	Make sure the filter is clean. Replace if necessary.
Discharged air has an odor.	Check to see if the filter is heavily soiled. Replace if necessary.

What is CADR?

CADR stands for "Clean Air Delivery Rate," which indicates the volume of filtered air delivered by an air purifier. CADR ratings show the effectiveness of how efficient the air purifier is at capturing fine particles from things like tobacco smoke and plant pollens from the room.

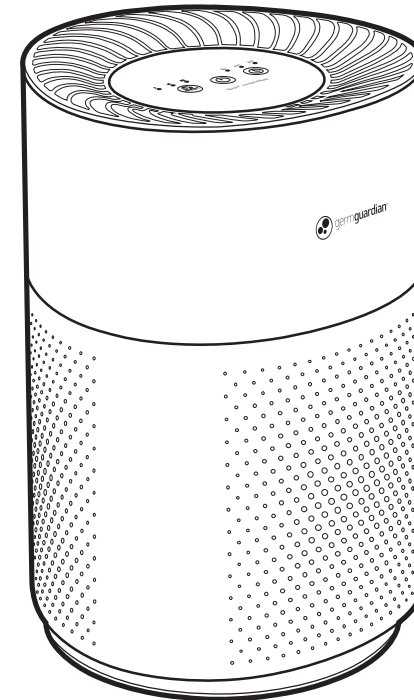
Clean Air Delivery Rate

From air cleaner to air cleaner, compare the CADR numbers. First look at suggested room size. Then refer to the Clean Air Delivery Rate (CADR) numbers. The higher the number, the faster the unit filters the air.

Refer to website for individual model CADR numbers.



UTILISATION ET INSTRUCTIONS D'ENTRETIEN



Purificateur d'air réduisant les allergènes et les odeurs

Modèles des séries. AC4200

Garantie limitée de tres (3) ans

Service à la clientèle 1.866.603.5900

www.guardiantechnologies.com

Date d'achat mois _____ année _____

Anglais E - 1 Français F - 1 Espagnol S - 1

Utilisez uniquement des pièces de rechange originales de Guardian Technologies.

REV0619

LIRE ET CONSERVER CES INSTRUCTIONS AVERTISSEMENTS

Le non-respect des avertissements mentionnés ci-dessous peut provoquer une décharge électrique ou des blessures graves.



Ce produit doit être utilisé en conformité avec les directives indiquées dans le présent manuel. De graves blessures peuvent résulter d'un usage du produit autre que celui indiqué dans le présent manuel.

Lorsque vous utilisez un appareil électrique, vous devez toujours respecter certaines consignes élémentaires de sécurité afin de réduire le risque de feu, de choc électrique et de blessure, dont les suivantes.

- Lisez toutes les instructions avant d'utiliser cet appareil.
- **IMPORTANT** - Cet appareil d'éclairage portable est équipé d'une fiche polarisée (une tige de la fiche est plus large que l'autre) pour réduire le risque de choc électrique. Cette fiche s'installe d'une seule façon dans la prise de courant. Si la fiche ne s'insère pas entièrement dans la prise, insérez-la dans l'autre sens. Si elle ne s'insère toujours pas, contactez un électricien agréé. Ne jamais utiliser de rallonge électrique à moins que la fiche s'insère entièrement. Ne modifiez pas la fiche.
- Pour éviter tout risque d'incendie ou de choc électrique, branchez l'appareil directement dans une prise électrique de 120 V c.a.
- Gardez le cordon d'alimentation à l'écart des zones de passage. Pour éviter tout risque d'incendie, ne faites JAMAIS passer le cordon d'alimentation sous un tapis ou à côté de grilles de chauffage, de radiateurs, d'appareils de chauffage ou de cuisinières.
- Pour protéger contre tout risque de choc électrique, NE plongez PAS l'appareil dans l'eau ou dans un liquide quelconque. N'utilisez pas cet appareil à proximité de l'eau.
- Une surveillance étroite est impérative lorsque tout appareil est utilisé à proximité d'enfants ou d'animaux de compagnie.
- Débranchez toujours le purificateur d'air avant de le déplacer, d'ouvrir une grille de protection, de changer les filtres ou lorsqu'il n'est pas utilisé. Assurez-vous de débrancher l'appareil en tirant sur la prise et non sur le cordon.
- Ne laissez JAMAIS tomber et n'insérez JAMAIS d'objets dans tout orifice de l'appareil.
- Ne faites pas passer le cordon électrique sous la moquette.
- Ne recouvrez pas le cordon électrique avec des tapis, des tapis d'escalier ou tout autre revêtement similaire.
- Ne faites pas passer le cordon électrique sous les meubles ni les appareils électroménagers. Disposez le cordon électrique à l'écart de la zone de passage et où personne ne risque de trébucher dessus.
- N'utilisez JAMAIS un appareil dont le cordon d'alimentation ou la fiche est endommagé, dont le moteur du ventilateur ne tourne plus, à la suite d'une défaillance ou d'une panne, ou qui est tombé ou est endommagé de quelque manière que ce soit. Veuillez communiquer avec le service à la clientèle au 1.866.603.5900 pour obtenir de l'aide.
- N'utilisez l'appareil que conformément à son utilisation prévue et décrite dans le présent manuel. Toute utilisation autre que celles recommandées par le fabricant risque de provoquer un incendie, un choc électrique ou des blessures.
- N'utilisez PAS cet appareil à l'extérieur.
- N'obstruez JAMAIS les sorties d'air, les grilles de protection ou les prises de l'appareil. Ne placez JAMAIS l'appareil sur une surface molle, telle qu'un lit ou un canapé, car cela risque de faire tomber l'appareil, obstruant la sortie ou l'entrée d'air.

- N'essayez PAS de réparer ou de régler toute fonction électrique ou mécanique de cet appareil. Agir ainsi annulera la garantie. L'intérieur de cet appareil ne contient aucune pièce remplaçable. Toute réparation doit être faite uniquement par un professionnel qualifié.
- NE METTEZ rien sur l'appareil.
- Les enfants ne peuvent pas identifier les risques liés à l'utilisation des appareils électriques. Pour cette raison, surveillez toujours les enfants lorsqu'ils sont à proximité du purificateur d'air.
- **AVERTISSEMENT**: Pour réduire le risque d'incendie ou de choc électrique ne pas utiliser ce ventilateur avec un dispositif de commande de la vitesse à semi-conducteurs quel qu'il soit.
- **AVERTISSEMENT** : Ne regardez pas directement la lumière émise par la lampe dans cet appareil pour éviter des dommages à la peau ou aux yeux. Débranchez toujours l'alimentation avant de remplacer la lampe ou d'entretenir l'appareil. Remplacez la lampe avec de la lampe fabriquée par Guardian Technologies.
- Débranchez toujours l'appareil avant d'effectuer tout nettoyage ou tout entretien.
- **MISE EN GARDE** : N'utilisez PAS d'essence, de benzène, de diluant ou de nettoyants puissants (entre autres) pour nettoyer la surface intérieure ou l'extérieur de l'appareil, car cela risque de l'endommager. N'utilisez JAMAIS d'alcool ni d'autres dissolvants.

L'ozone moyenne pondérée dans le temps de 8 heures pour ce produit est de 0,001 ppmv lors de tests dans une chambre de 30 m³. Le produit est conforme avec la concentration maximale permise d'ozone de 0,05 parties par million par volume (ppmv) dans une période de 24 heures. Les lignes directrices de Santé Canada 2010 recommandent que la limite d'exposition maximale, selon un temps moyen de 8 heures, soit de 0,020 ppmv ou moins lors de tests dans une salle hermétique et contrôlée d'environ 30 m³.



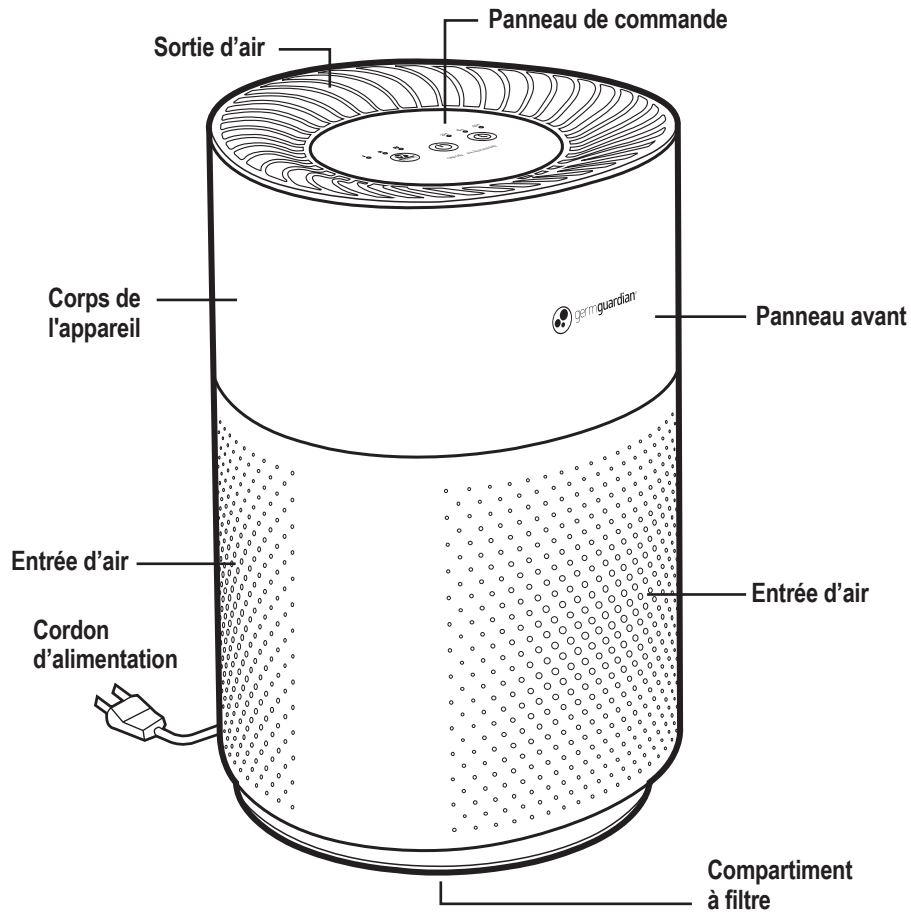
AVERTISSEMENT : Ce produit peut vous exposer à des produits chimiques, y compris du plomb et des composés de plomb, qui sont reconnus par l'État de la Californie comme causant le cancer et des malformations congénitales, ou ayant des effets nocifs sur la reproduction. Pour de plus amples informations visitez le site www.P65Warnings.ca.gov.



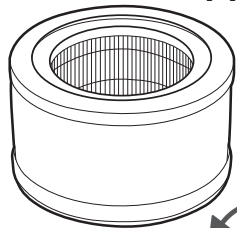
Une étoile ENERGY STAR a été attribuée à cet article pour avoir satisfait les normes d'efficacité énergétique strictes établies par l'agence américaine de protection de l'environnement (EPA). L'EPA ne corrobore aucune des déclarations du fabricant affirmant que l'utilisation de ce produit assainit l'air intérieur. L'efficacité énergétique de ce modèle répondant aux exigences qui lui permettent de porter le symbole ENERGY STAR est mesurée selon le rapport entre le débit d'air purifié (Clean Air Delivery Rate ou CADR) pour la poussière du modèle et l'énergie électrique qu'il consomme, ou CADR/watts.

SPÉCIFICATIONS

Purificateur d'air avec filtre HEPA

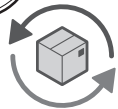
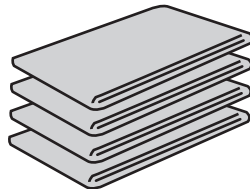


PIÈCES DE REMPLACEMENT



FILTRE: 
Référence FLT4200

Remplacement
du carbone
(lot de 4)
Référence
FLT42CB4



AutoShip & Save

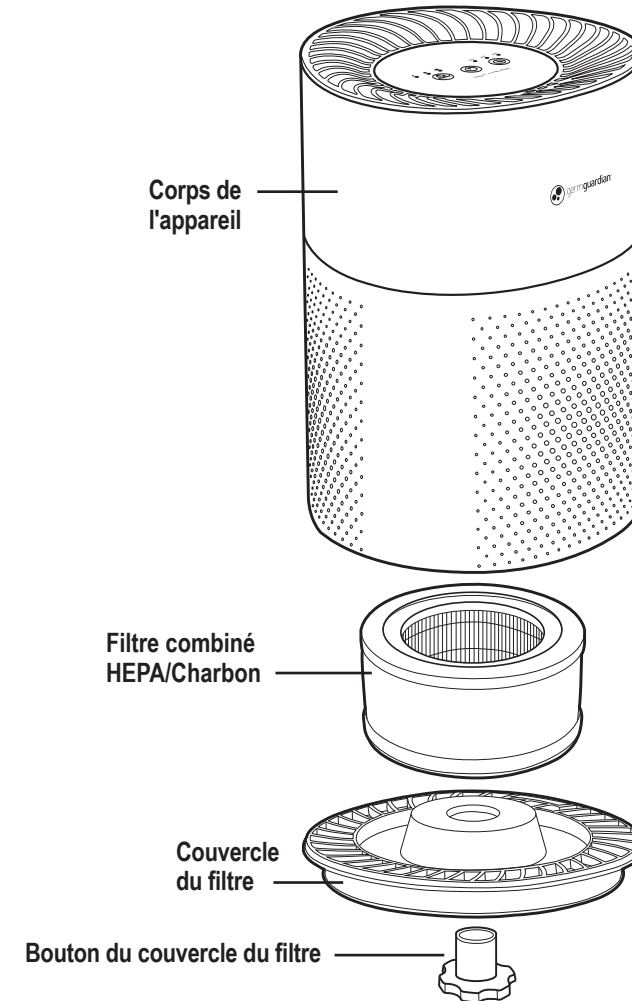
Découvrez notre programme en ligne
de rappel de remplacement des filtres.
www.guardiantechnologies.com

IMPORTANT : N'utilisez que des pièces de rechange Guardian Technologies authentiques afin de conserver les performances du produit.

SYSTÈME DE PURIFICATION D'AIR

Améliorez la qualité de l'air intérieur grâce à votre nouveau purificateur d'air Germguardian. Le filtre HEPA capture les allergènes et comprend une couche filtrante au charbon de bois pour aider à réduire les odeurs domestiques.

NIVEAUX DE PURIFICATION D'AIR



IMPORTANT!

Le purificateur d'air est expédié avec le filtre rangé dans le compartiment à filtre. Le filtre est expédié dans un sac pour éviter sa dégradation. Avant l'utilisation, enlevez et jetez le sac.

INSTRUCTIONS D'UTILISATION

IMPORTANT: Le purificateur d'air est expédié avec le filtre rangé dans le compartiment à filtre. Le filtre est expédié dans un sac pour éviter sa dégradation. Avant l'utilisation, enlevez et jetez le sac.

Remarque : Le filtre et le panneau inférieur du filtre doivent être installés correctement pour activer l'appareil.

AVANT L'UTILISATION DU PURIFICATEUR D'AIR :

1. Choisissez une surface dure, plane et de niveau pour y poser le purificateur d'air.
 - Pour un bon écoulement de l'air, placez l'appareil à au moins 30 cm de tout mur et de tout meuble.
 - Vérifiez qu'aucune des grilles n'est obstruée.

FONCTIONNEMENT DU SYSTÈME DE PURIFICATION D'AIR :

1. Mettez l'appareil en MARCHÉ (ON). Les voyants du panneau de commande s'allument.

Remarque : les voyants correspondants du panneau de commande s'allument selon les fonctions sélectionnées.

2. Vitesse du ventilateur / Turbo / Mode Veille :

(I) Mode Veille/Basse vitesse.

Lorsque la vitesse est faible, l'appareil passe également en mode veille. Le voyant clignote pendant 5 secondes avant de s'éteindre. Appuyez sur n'importe quel bouton pour sortir l'appareil du mode veille. Remarque : si le minuteur se termine alors que l'appareil est en mode veille, ce dernier s'éteindra comme programmé. Appuyez sur le bouton marche-arrêt pour redémarrer l'appareil.

(II) / (III) Vitesse de ventilation moyenne et élevée

Mode Turbo. Après le mode III, appuyez sur le bouton pour passer à la vitesse de ventilation Turbo (élevée). Dans ce mode, les 3 voyants du ventilateur s'allument.

3. Minuteur

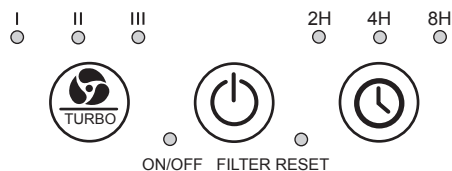
Pour faire fonctionner le système de purification d'air pendant un nombre donné d'heures, sélectionner **2, 4 ou 8** heures en appuyant sur le bouton et en sélectionnant le temps préféré.

4. Bouton de réinitialisation du filtre (Reset)

Le voyant de réinitialisation du filtre s'allumera lorsqu'il est temps de remplacer le filtre.

Remplacez le filtre conformément aux instructions (page 7).

Appuyez sur le bouton marche-arrêt pendant 5 secondes pour réinitialiser le voyant du filtre.



RÉINITIALISATION DU PURIFICATEUR D'AIR

Le purificateur d'air est équipé d'un circuit de protection du moteur. S'il est activé, le moteur s'éteindra mais laissera tous les voyants restants allumés. Pour redémarrer l'appareil, débranchez l'appareil pendant au moins 10 minutes, puis rebranchez-le et mettez-le sous tension pour un fonctionnement normal.

Remarque : si l'appareil continue de s'arrêter, il se peut qu'il y ait toujours une condition anormale et que l'appareil ait besoin de réparation. Contactez le service à la clientèle.

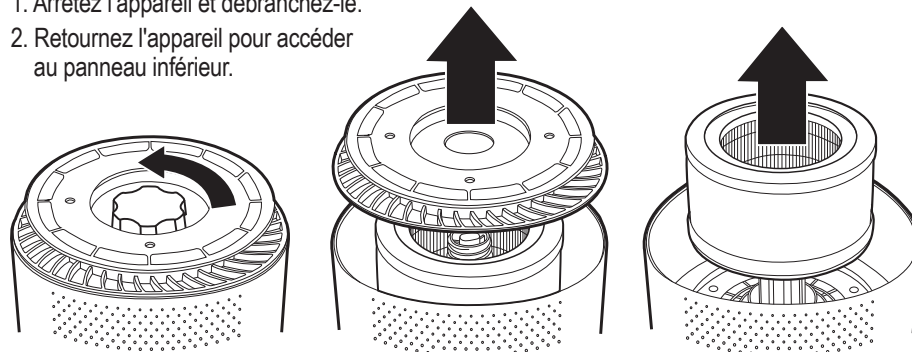
REPLACEMENT DU FILTRE

Le voyant de « Réinitialisation du filtre » s'allumera lorsqu'il est temps de remplacer le filtre. Selon l'utilisation et les conditions ambiantes, le filtre aura une durée de vie d'environ 6 mois. La couleur des plis internes du filtre passe du blanc au gris lorsqu'il est sale et doit être remplacé. Il est important d'entretenir et de changer le filtre pour maintenir la performance du purificateur d'air.

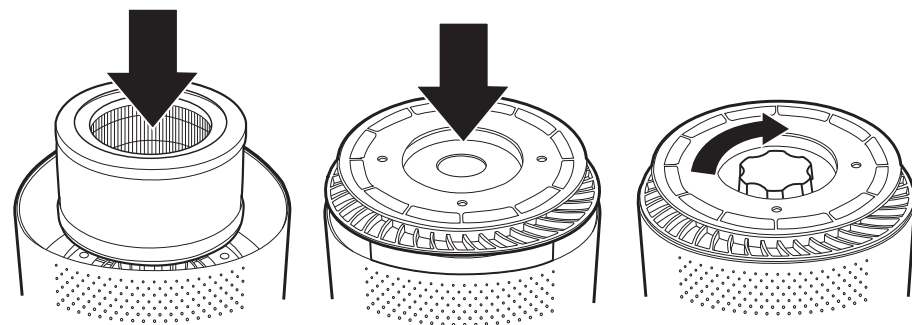
IMPORTANT: NE lavez PAS et NE réutilisez PAS le filtre. Veuillez contacter le service à la clientèle pour acheter un filtre de rechange ou visitez guardianttechnologies.com

ENLÈVEMENT ET REMPLACEMENT DU FILTRE

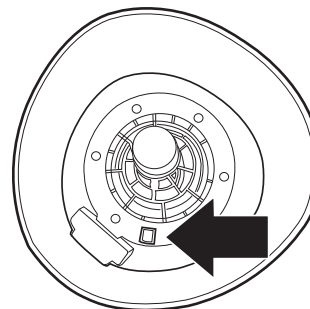
1. Arrêtez l'appareil et débranchez-le.
2. Retournez l'appareil pour accéder au panneau inférieur.



3. Tournez le bouton vers la **GAUCHE** pour l'ouvrir, en le tournant jusqu'à ce que le bouton soit retiré.



6. Installez un filtre neuf et remettez le couvercle en place. Fixez, puis ajoutez le bouton de retour et tournez à **DROITE** pour fermer.



7. Reset the filter indicator by holding the Power button for 5 seconds.

IMPORTANT: Il y a un bouton rouge à l'intérieur du compartiment à filtre. Si le filtre n'est pas installé correctement ou si le couvercle du filtre n'est pas bien fixé, le bouton ne sera pas activé et l'appareil ne s'allumera pas.

NETTOYAGE ET ENTRETIEN

NETTOYAGE

- Débranchez toujours l'appareil avant de le nettoyer.
- N'immerger jamais l'appareil dans l'eau ou dans un autre liquide.
- N'utilisez jamais d'agents agressifs ou inflammables comme de l'eau de Javel ou de l'alcool pour nettoyer une quelconque partie de l'appareil.

BOÎTIER DE L'APPAREIL

Nettoyez régulièrement l'intérieur et l'extérieur du boîtier de l'appareil pour y éviter l'accumulation de poussière.

1. Essuyez la poussière du boîtier de l'appareil en utilisant un chiffon doux.
2. Nettoyez l'entrée et la sortie d'air en utilisant un chiffon sec et doux.

GRILLE DE PRÉFILTRE

Le préfiltre est conçu pour collecter les grosses particules de poussière et de débris; il doit être nettoyé chaque mois ou plus fréquemment selon l'usage de l'appareil. Enlevez-le et nettoyez-le régulièrement avec la brosse fournie en accessoire ou votre aspirateur. Cela enlèvera les peluches et la saleté et aidera à prolonger la durée de vie du filtre (reportez-vous à Remplacement du filtre pour localiser et enlever le filtre).

Remarque: N'enfoncez PAS d'objets, ni vos doigts, à l'intérieur de l'appareil.

Avertissement: N'utilisez PAS d'essence, de benzène, de diluant ou de nettoyants puissants (entre autres) pour nettoyer la surface intérieure ou l'extérieur de l'appareil, car cela risque de l'endommager. N'utilisez JAMAIS d'alcool ni d'autres dissolvants.

GUIDE DE DÉPANNAGE

PROBLÈME	SOLUTION
L'appareil s'arrête intempestivement ou ne fonctionne pas.	Vérifiez que l'appareil est branché à une prise de courant fonctionnelle. Vérifiez que le filtre et le couvercle inférieur du filtre sont correctement installés. Vérifier si la protection du moteur est déclenchée. Débranchez et rebranchez l'appareil dans la prise de courant. Appelez le service à la clientèle.
L'air ne circule pas à partir de l'appareil.	Débranchez l'appareil. Vérifiez le filtre. Nettoyez ou remplacez le filtre si nécessaire.
Odeurs non éliminées.	Assurez-vous que le filtre est propre. Remplacez si nécessaire.
L'air sortant de l'appareil a une odeur.	Vérifiez l'état du filtre pour voir s'il est très sale. Remplacez si nécessaire.

Qu'est-ce que le CADR?

CADR est l'acronyme de Clean Air Delivery Rate, soit le volume d'air filtré produit par un purificateur d'air. Le classement CADR indique l'efficacité d'un purificateur d'air dans sa filtration des particules fines, telles que la fumée de tabac et les pollens de plantes, dans une pièce.

Débit d'air pur

Comparez les performances des différents purificateurs d'air à l'aide du CADR. Premièrement, repérez la superficie de la pièce suggérée. Puis, consultez les données CADR. Plus la valeur est élevée, plus l'appareil filtre rapidement l'air.

Reportez-vous au site web pour chaque modèle de numéros CADR

GARANTIE LIMITÉE

Guardian Technologies LLC garantit au consommateur que cet appareil est exempt de défauts matériels ou de fabrication, à partir de la date d'achat originale. Afin d'être admissible à cette Garantie limitée, un reçu de vente original ou une autre preuve d'achat substitut comparable portant la date de l'achat original est requis. Consultez la boîte de produit originale ou la page du produit/modèle spécifique sur le site Web de Guardian Technologies pour la période de garantie concernant votre modèle en particulier. Cette garantie s'applique seulement à l'acheteur original de ce produit à partir de la date d'achat originale. Cette garantie couvre un appareil acheté uniquement auprès de distributeurs agréés.

Cette garantie s'applique à la réparation ou au remplacement du produit trouvé défectueux au niveau des matériaux ou de la fabrication. Cette garantie ne s'applique pas aux dommages découlant d'une usure inhabituelle, d'une utilisation commerciale, abusive ou déraisonnable ou de dommages additionnels. Cette garantie ne couvre pas les dommages causés par des réparations non autorisées ou de toute utilisation non conforme avec le manuel des instructions. Les défaillances découlant d'une usure normale ne seront pas considérées des défauts de fabrication selon la présente garantie.

Si cet appareil s'avère défectueux pendant la période de garantie, nous réparerons ou remplacerons gratuitement toutes les pièces défectueuses. Toute réparation couverte par la présente garantie doit être effectuée par Guardian Technologies LLC. La présente garantie vous donne certains droits juridiques. Vous pouvez également bénéficier d'autres droits (les droits peuvent varier d'un État à l'autre aux États-Unis).

Pour faire valoir la présente garantie, l'appareil complet doit être envoyé en port payé à Guardian Technologies LLC. Veuillez inclure les renseignements complets, y compris : la nature du problème, le numéro de modèle, la date d'achat, et incluez vos nom, adresse et numéro de téléphone (courriel facultatif) ainsi qu'une copie du reçu de vente original. Retournez l'appareil à l'attention de : Customer Service, et à l'adresse indiquée ci-après. Adressez vos questions ou vos commentaires au numéro sans frais indiqué ci-après.

États-Unis et Canada
Guardian Technologies LLC
26251 Bluestone Blvd.
Euclid, Ohio 44132
1 866 603-5900
www.guardiantechnologies.com

Veuillez vous rendre à www.guardiantechnologies.com pour enregistrer votre produit. Nous considérons le processus d'enregistrement comme important afin d'assurer un service supérieur à notre clientèle. Cependant, l'envoi de cette carte de garantie est facultatif et n'affectera en rien vos droits de faire valoir cette garantie en accord avec les conditions susmentionnées.

Des copies supplémentaires de ce manuel d'utilisation peuvent être obtenues sur notre site Internet puis imprimées, ou en appelant le service à la clientèle.



©2016 Guardian Technologies LLC

GARANTÍA LIMITADA

Para el consumidor, Guardian Technologies LLC garantiza que este producto se encuentra libre de defectos de materiales o mano de obra a partir de la fecha de compra original. Para poder ser elegible para esta Garantía limitada, se requiere presentar el recibo original de la venta o un comprobante de compra sustituto comparable que lleve la fecha de la compra original. Consulte la caja original del producto o la página del producto/modelo específico en el sitio web de Guardian Technologies para consultar la duración de la garantía de su modelo en particular. Esta garantía aplica solamente para el comprador original de este producto, a partir de la fecha original de compra. Esta garantía cubre únicamente los productos comprados a distribuidores autorizados.

Esta garantía aplica para reparaciones o reemplazos de productos con defectos en el material o en la mano de obra. Esta garantía no aplica para los daños que se deriven del desgaste inusual; el uso comercial, abusivo, irrazonable, o daños suplementarios. Esta garantía no cubre los daños que se deriven de reparaciones no autorizadas, o de algún uso que no esté de acuerdo con este manual de instrucciones. Los defectos que se deriven del uso y desgaste normales no se considerarán defectos de fábrica bajo esta garantía.

Si durante el período de garantía se detecta que el producto está defectuoso, repararemos o reemplazaremos las piezas defectuosas sin ningún costo. Guardian Technologies LLC deberá realizar todas las reparaciones de garantía. Esta garantía le otorga derechos legales específicos y usted pudiera tener otros derechos adicionales (los cuales varían en cada estado de los EE.UU.)

Para presentar un producto para garantía, la máquina completa se debe enviar, con el envío pagado con anterioridad, a Guardian Technologies LLC. El envío debe contener la información completa, que incluye: el problema, el número de modelo del producto, el día de la compra y una copia del recibo de compra original, junto con su nombre, dirección y teléfono (correo electrónico opcional). Envíe el producto para devolución a: Servicio al cliente, a la siguiente dirección. Si tiene alguna pregunta o comentario, puede llamar a la línea telefónica gratuita indicada más adelante.

EE.UU. y Canadá
Guardian Technologies LLC
26251 Bluestone Blvd.
Euclid, Ohio 44132
1.866.603.5900
www.guardiantechnologies.com

Visite www.guardiantechnologies.com para registrar su producto. Consideramos que el proceso de registro es importante para garantizar un servicio superior a nuestros clientes; sin embargo, el envío de la tarjeta de garantía es opcional y no afecta sus derechos para utilizar la garantía de acuerdo a las condiciones estipuladas anteriormente.

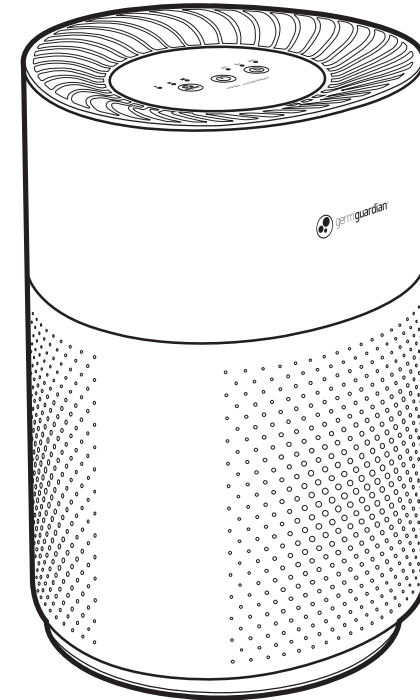
Se pueden obtener copias adicionales al acceder directamente a nuestro sitio web para imprimirlas, o al llamar al departamento de servicio al cliente.



©2016 Guardian Technologies LLC



UTILISATION ET INSTRUCTIONS D'ENTRETIEN



Purificador de aire reductor de alérgenos y olores

NÚMERO DE MODELO: AC4200

Garantía limitada por 3 año

Departamento Deservicio 1.866.603.5900
www.guardiantechnologies.com

Fecha de compra mes _____ año _____

Inglés E - 1 Francés F - 1 Español S - 1

Use solamente las piezas de repuesto Guardian Technologies genuinas.

REV0619

LEA Y GUARDE ESTAS INSTRUCCIONES ADVERTENCIAS

El no cumplir las advertencias que se enumeran a continuación puede provocar un choque eléctrico o lesiones severas.



Debe usarse este producto sólo de acuerdo a las especificaciones descritas en este manual. Usarlo de una manera diferente a lo indicado puede ocasionar lesiones severas.

Al usar un electrodoméstico, debe seguir siempre ciertas precauciones básicas para disminuir el riesgo de incendio, choque eléctrico y lesiones personales, las cuales incluyen todo lo siguiente:

- Antes de usar el electrodoméstico, lea todas las instrucciones.
- **IMPORTANTE** - Como una característica adicional, esta luminara portátil tiene una clavija polarizada (una hoja es más ancha que la otra) con el fin de reducir el riesgo de choque eléctrico. Esta clavija encajará en un tomacorriente polarizado de una manera solamente. Si la clavija no encaja bien en el tomacorriente, invierta la clavija. Si aún así no encaja, póngase en contacto con un electricista calificados. Nunca use una extensión eléctrica a menos que la clavija pueda insertarse por completo. No modifique la clavija.
- Para evitar un incendio o choque eléctrico, conecte directamente el aparato a un tomacorriente de 120 V de corriente CA.
- Mantenga el cordón eléctrico alejado de las áreas de gran tránsito peatonal. Para evitar el riesgo de incendio, **NUNCA** ponga el cordón eléctrico debajo de las alfombras, ni cerca de rejillas de calefacción, radiadores, estufas ni calentadores.
- Para evitar los riesgos eléctricos, **NO** sumerja este aparato en agua o en otros líquidos. No use este aparato cerca del agua.
- Cuando se utilice un aparato en un área donde hay niños o mascotas presentes, debe vigilarlos en todo momento.
- Desconecte siempre el purificador de aire antes de moverlo, abrir la rejilla, cambiar los filtros, antes de limpiarlo o cuando no lo use. Asegúrese de desconectarlo tomándolo del enchufe, no del cordón eléctrico.
- **NUNCA** deje caer ni inserte un objeto en cualquier abertura.
- No pase el cordón eléctrico por debajo de la alfombra.
- No cubra el cordón eléctrico con tapetes, plásticos protectores para alfombrado o cubiertas similares.
- No pase el cordón eléctrico por debajo de los muebles o aparatos electrodomésticos. Mantenga el cordón eléctrico alejado de las áreas de gran tránsito peatonal y de los lugares en que pueda provocar tropezones.
- **NO** utilice ningún aparato cuyo cordón eléctrico o clavija estén dañados, si el motor del ventilador no gira, si el aparato no funciona correctamente o si se ha caído o dañado de alguna forma. Si necesita ayuda, llame al departamento de servicio al cliente al 1.866.603.5900.
- Use este aparato únicamente para el uso doméstico previsto, como se describe en este manual. Cualquier otro tipo de uso no recomendado por el fabricante podría provocar un incendio, choque eléctrico o lesiones personales.
- No se debe utilizar en exteriores.
- **NUNCA** bloquee las aberturas para el aire, las rejillas/salidas del aparato, ni coloque el producto sobre una superficie suave, como una cama o sofá, ya que esto podría provocar que el aparato se vuelque, se bloquee la abertura de entrada o la salida del aire.
- No intente reparar o ajustar un funcionamiento eléctrico o mecánico incorrecto de esta unidad. El hacerlo anulará la garantía. El interior del aparato no contiene piezas que requieren mantenimiento. Todas las labores de servicio y mantenimiento deben ser realizadas sólo por personal calificado.

- **NO** coloque ningún objeto en la parte superior de la unidad.
- Los niños no pueden percatarse de los riesgos asociados con el uso de aparatos electrodomésticos. Por este motivo siempre debe vigilar a los niños cuando se encuentren cerca del purificador de aire. (una hoja es más ancha que la otra) con el fin de reducir el riesgo de choque eléctrico. Esta clavija
- **ADVERTENCIA:** Para disminuir el riesgo de incendio o choque eléctrico, no utilice este ventilador con ningún dispositivo de control de velocidad de estado sólido.
- **ADVERTENCIA:** Ver directamente la luz producida por la lámpara de este aparato podría ocasionar daños en la piel o en los ojos. Siempre desconecte la corriente antes de reemplazar o darle mantenimiento a la lámpara. Reemplace la lámpara con la lámpara fabricado por Guardian Technologies.
- Desconecte siempre la unidad antes de limpiarla o darle mantenimiento.
- **PRECAUCIÓN:** **NO** utilice gasolina, benceno, solvente, limpiadores agresivos, etc. para limpiar el interior y el exterior de la unidad, ya que podrían dañar el aparato. **NUNCA** utilice alcohol ni otro tipo de solventes.

El valor límite de umbral (TWA) de ozono durante 8 horas de este producto es 0.001 ppmv cuando se prueba en una habitación de 30 m³. El producto cumple con la concentración máxima permisible de ozono, de 0.050 partes por millón por volumen (ppmv) en un periodo de 24 horas. Los Lineamientos de salud de Canadá de 2010 recomiendan que el límite máximo de exposición, basado en un tiempo promedio de 8 horas, es de 0.020 ppmv o menor, cuando se ha probado en una habitación confinada y controlada de aproximadamente 30 m³.



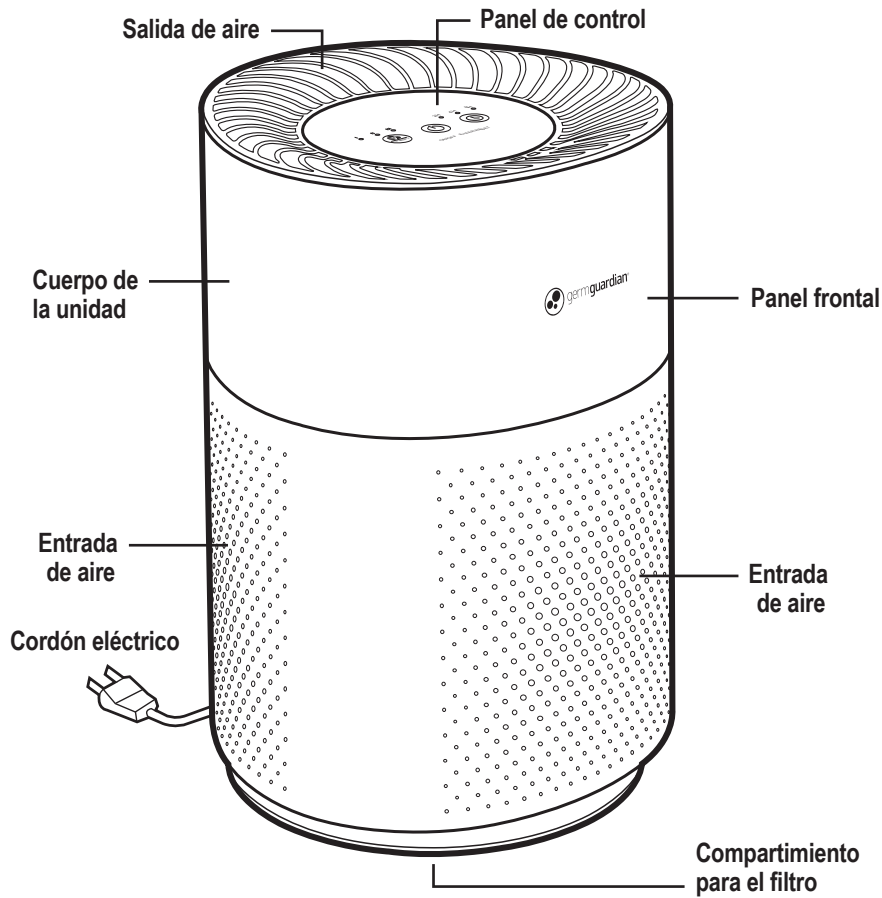
ADVERTENCIA: Este producto puede exponerlo a químicos que incluyen plomo, compuestos de plomo, que son conocidos en el estado de California como causantes de cáncer, defectos de nacimiento o daños reproductivos. Para mayor información, visite www.P65Warnings.ca.gov.



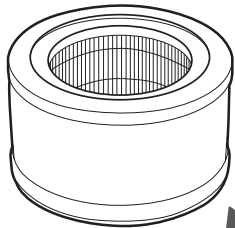
Este producto obtuvo la certificación ENERGY STAR mediante el cumplimiento de estrictas normas de ahorro de energía establecidas por la Agencia de Protección Ambiental de los Estados Unidos (US EPA, por su sigla en inglés). La EPA de los Estados Unidos no respalda las afirmaciones hechas por cualquier fabricante sobre la obtención de una calidad de aire en interiores más saludable debido al uso de este producto. La eficiencia energética de este modelo con la certificación ENERGY STAR se mide en base a la proporción del promedio de emisión de aire puro (CADR, por su sigla en inglés) del modelo para el polvo y la energía eléctrica que consume, o CADR/vatio.

ESPECIFICACIONES

Purificador de aire con filtro HEPA

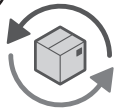
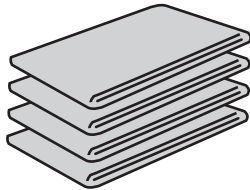


PARTES DE REPUESTO



FILTRO: 
 No. de modelo
 FLT4200

Paquete de 4
 reemplazos
 de carbón
 No. de modelo
 FLT42CB4



AutoShip & Save

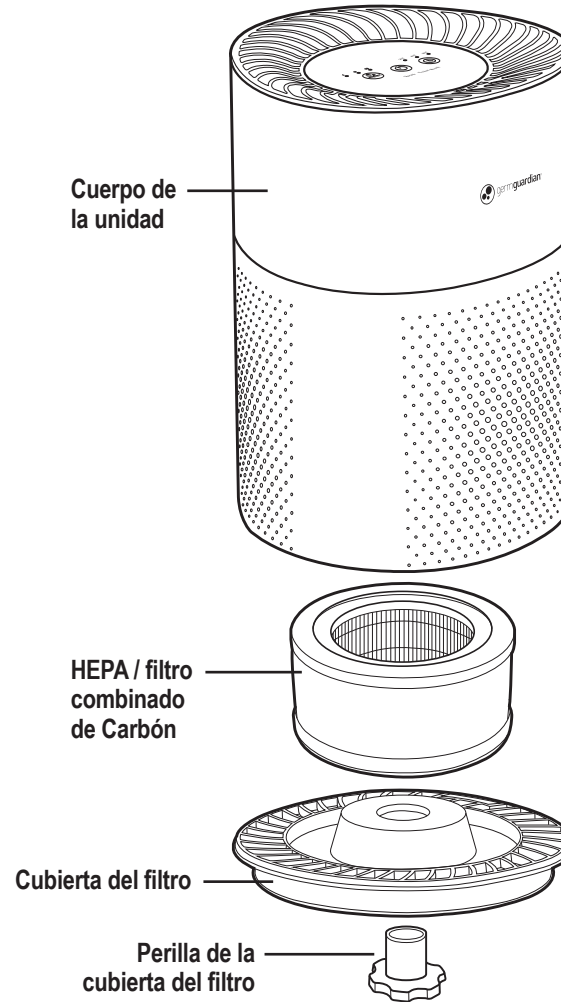
Pruebe nuestro recordatorio de cambio de filtro y el programa de filtros de repuesto en línea.
www.guardiantechnologies.com

IMPORTANTE: Utilice únicamente piezas de repuesto GENUINAS de Guardian Technologies.
 S-4 Para realizar la compra, comuníquese con el departamento de Servicio al cliente.

SISTEMA PARA LA LIMPIEZA DEL AIRE

Mejore la calidad del aire dentro de su hogar con su nuevo Purificador de Aire Germguardian. El filtro HEPA captura los alérgenos e incluye una capa de filtro de carbón para ayudar a reducir los olores del hogar.

NIVELES DE PURIFICACIÓN



¡IMPORTANTE!

El purificador de aire se envía con el filtro guardados en el compartimento del filtro. El filtro se envía en una bolsa para evitar que se degrade. Antes de usarlo, retire la bolsa y deséchela.

INSTRUCCIONES DE USO

¡IMPORTANTE! El purificador de aire se envía con el filtro guardados en el compartimiento del filtro. El filtro se envía en una bolsa para evitar que se degrade. Antes de usarlo, retire la bolsa y deséchela.

Nota: Es necesario instalar apropiadamente el filtro y el panel inferior para que la unidad se encienda y funcione.

ANTES DE PONER EN FUNCIONAMIENTO EL PURIFICADOR DE AIRE:

1. Elija una superficie firme, plana y nivelada para colocar el purificador de aire.
 - Para que el flujo de aire sea adecuado, ubique el aparato al menos a una distancia de 30.5 cm (1 pie) de la pared o muebles.
 - Verifique que ninguna de las rejillas esté bloqueada.

FUNCIONAMIENTO DEL PURIFICADOR DE AIRE

1. Encienda la unidad. Se prenderán las luces de encendido del panel de control.
Nota: se prenderán las luces del panel de control correspondientes de acuerdo con las funciones seleccionadas.

2. Velocidad del ventilador / Turbo / Modo de noche:

(I) Modo de noche/Velocidad baja.

Cuando se enciende la velocidad baja, la unidad también entra en modo de noche. La luz parpadeará durante 5 segundos y luego se apagarán las luces indicadoras. Presione cualquier botón para sacar a la unidad del modo de noche. Nota: si el se termina el periodo del temporizador durante el modo de noche, la unidad se apagará según lo programado. Presione el botón de encendido para reiniciar la unidad.

(II) / (III) Velocidad media y alta del ventilador

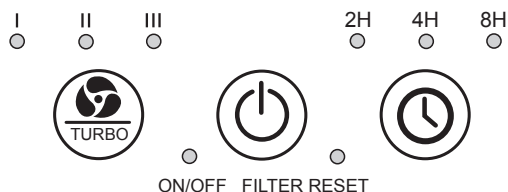
Modo turbo Después del modo III, presione el botón para iniciar la velocidad turbo (alta) del ventilador. Las 3 luces del ventilador se iluminarán en este modo.

3. Temporizador

Si prefiere dejar funcionando el purificador durante un número de horas específico, presione el botón para elegir **2, 4 o 8** horas y seleccionar el tiempo preferido.

4. Reajuste del filtro

El indicador de reajuste del filtro se encenderá cuando sea el momento de reemplazar el filtro. Reemplace el filtro de acuerdo con las instrucciones (pág. 7). Mantenga presionado el botón de encendido/apagado durante 5 segundos para restablecer la luz del filtro.



CÓMO RESTABLECER EL PURIFICADOR DE AIRE

El purificador de aire está equipado con un circuito de protección del motor. Si está activado, el motor se apagará pero todas las luces seguirán encendidas. Para reiniciar la unidad, desenchúfela durante al menos 10 minutos, luego vuelva a enchufarla y enciéndala para usarla de modo normal.

Nota: si la unidad sigue apagándose, todavía puede haber una condición anormal y puede ser necesario reparar la unidad. Comuníquese al departamento de servicio al cliente.

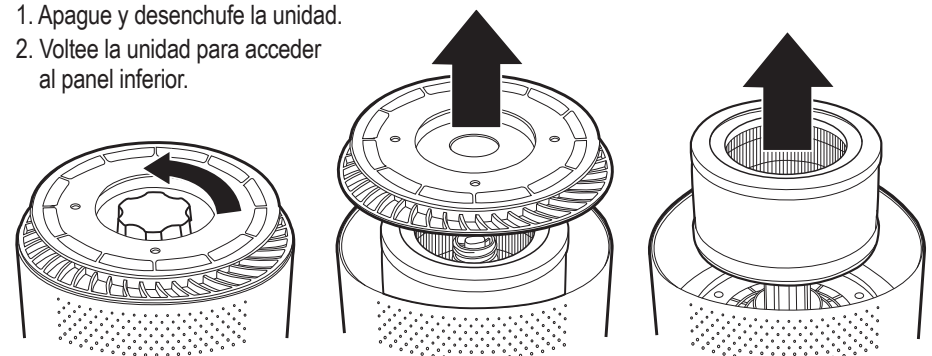
REEMPLAZO DEL FILTRO

El indicador de reajuste del filtro se encenderá cuando sea el momento de reemplazar el filtro. Dependiendo del uso del aparato y de las condiciones ambientales, el filtro puede durar 6 meses aproximadamente. Los pliegues interiores del filtro cambiarán de blanco a color gris cuando esté sucio y haga falta reemplazarlo. Es importante mantener y cambiar el filtro para seguir optimizando el rendimiento del purificador de aire.

IMPORTANTE: NO lave y reutilice el filtro. Comuníquese al departamento de servicio al cliente para comprar un filtro de repuesto, o visite guardianttechnologies.com

CÓMO RETIRAR Y REEMPLAZAR EL FILTRO

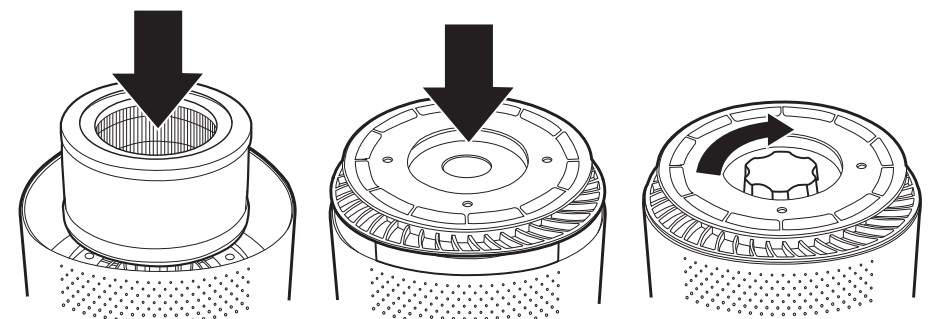
1. Apague y desenchufe la unidad.
2. Voltee la unidad para acceder al panel inferior.



3. Gire la perilla hacia la **IZQUIERDA** para abrirla, hasta que la pueda retirar.

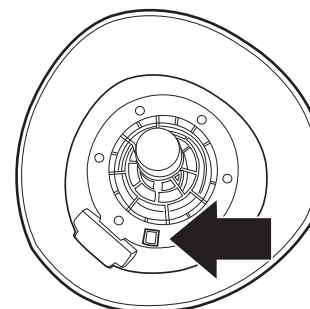
4. Levante la placa inferior (cubierta del filtro) de la unidad.

5. Remove and dispose of filter.



6. Coloque un filtro nuevo y vuelva a colocar la tapa. Fijela, luego regrese la perilla y gire hacia la **DERECHA** para cerrar.

7. Para reiniciar el indicador del filtro, mantenga presionado el botón de encendido durante 5 segundos.



IMPORTANTE: hay un botón rojo dentro del compartimiento para el filtro. Si el filtro no se coloca adecuadamente, o si no está bien fijado, el botón no se activará y la unidad no se podrá encender.

LIMPIEZA Y MANTENIMIENTO

LIMPIEZA

- Siempre desenchufe la unidad antes de limpiarla.
- Nunca sumerja la unidad en agua o en otro líquido.
- Nunca use agentes limpiadores agresivos o inflamables como lejía o alcohol para limpiar ninguna parte de la unidad.

CUERPO DE LA UNIDAD

Limpie regularmente el interior y el exterior del cuerpo para evitar que se acumule polvo en el interior y en el exterior.

1. Para limpiar el polvo pase un paño suave y seco por el cuerpo de la unidad.
2. Limpie la entrada y la salida de aire con un paño suave y seco.

PANTALLA DE PREFILTRO

El prefiltro fue diseñado para capturar las partículas grandes de polvo y residuos. Se debe limpiar en forma mensual o con más frecuencia según el uso. Retire y limpie regularmente con el cepillo de la aspiradora. Esto quitará las pelusas y el polvo y ayudará a mantener la vida útil del filtro (consulte la sección de reemplazo del filtro para ubicar y retirar el filtro).

NOTA: NO introduzca ningún objeto extraño ni sus dedos de la unidad.

PRECAUCION: NO utilice gasolina, bencina, solvente, limpiadores agresivos, etc. para limpiar el interior y el exterior de la unidad, ya que podrían dañar el aparato. NUNCA utilice alcohol ni otro tipo de solventes.

GUÍA DE SOLUCIÓN DE PROBLEMAS

PROBLEMA	SOLUCIÓN
La unidad se apaga inesperadamente o no funciona.	Verifique que la unidad esté conectada en un tomacorriente que funcione perfectamente. Verifique que el filtro y la cubierta inferior del filtro estén correctamente instaladas. Verifique si se activó el protector del motor. Desconéctelo y vuélvalo a conectar a la salida. Llame al departamento de servicio al cliente.
La unidad no hace circular aire.	Desconecte la unidad. Verifique el filtro. Limpie o reemplace el filtro si es necesario.
Los olores no se eliminan.	Cerciórese que el filtro esté limpio. Reemplácelo si fuera necesario.
El aire de salida tiene un olor.	Verifique si el filtro está muy sucio. Reemplácelo si fuera necesario.

¿Qué significa CADR?

CADR es la sigla en inglés de Clean Air Delivery Rate, e indica el volumen de aire filtrado por un purificador de aire. Las clasificaciones CADR muestran la efectividad del purificador de aire para atrapar las partículas finas del humo del tabaco y pólenes en la habitación, entre otras.

Promedio de emisión de aire puro

Compare los números CADR entre un purificador de aire y otro. Mire primero el tamaño de la habitación para la cual se recomienda. Enseguida, consulte los números del promedio de emisión de aire puro (CADR). Mientras más elevado sea el número, más rápidamente se filtra el aire.

Consulte el sitio web para los números CADR modelo individuales.

