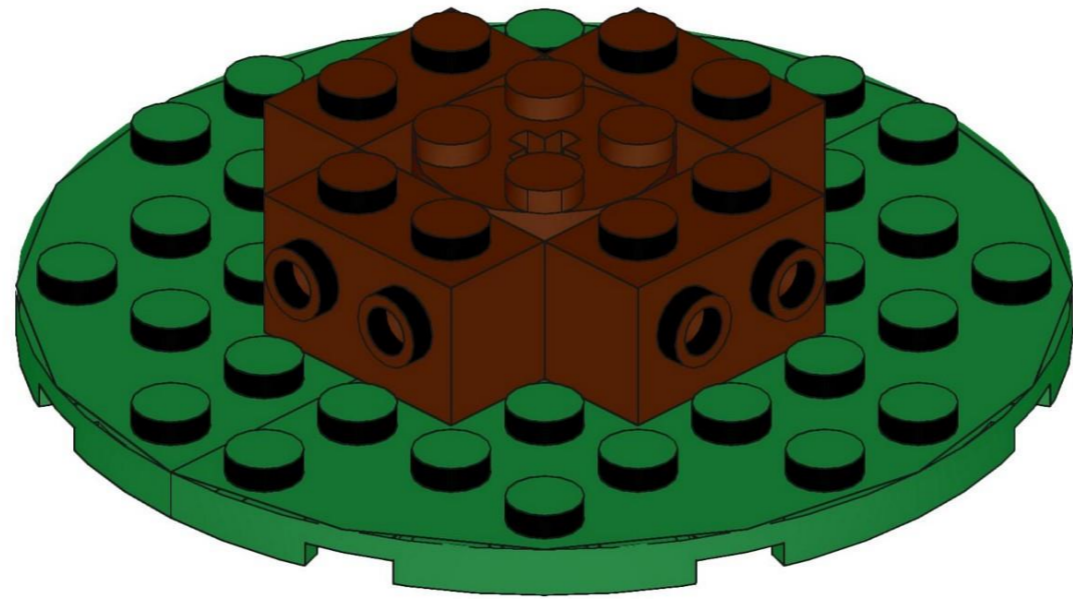
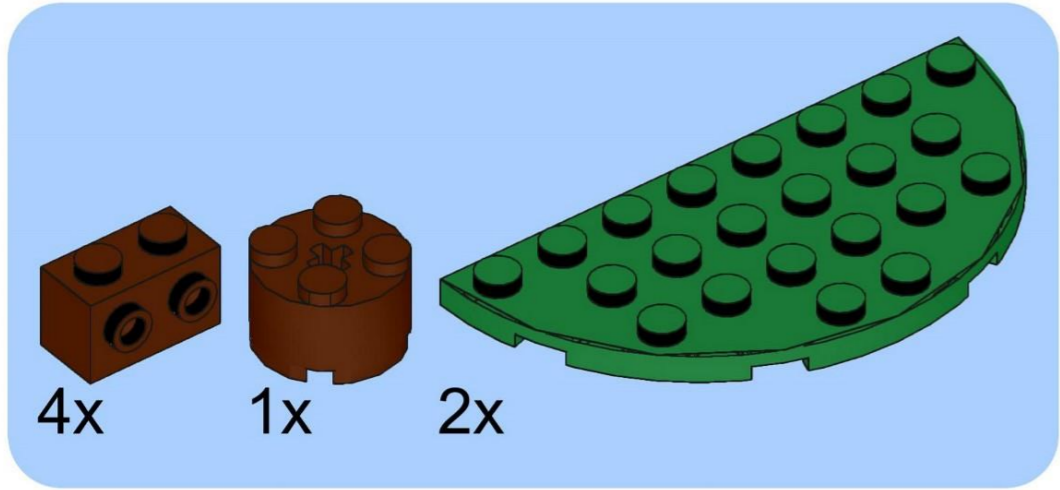
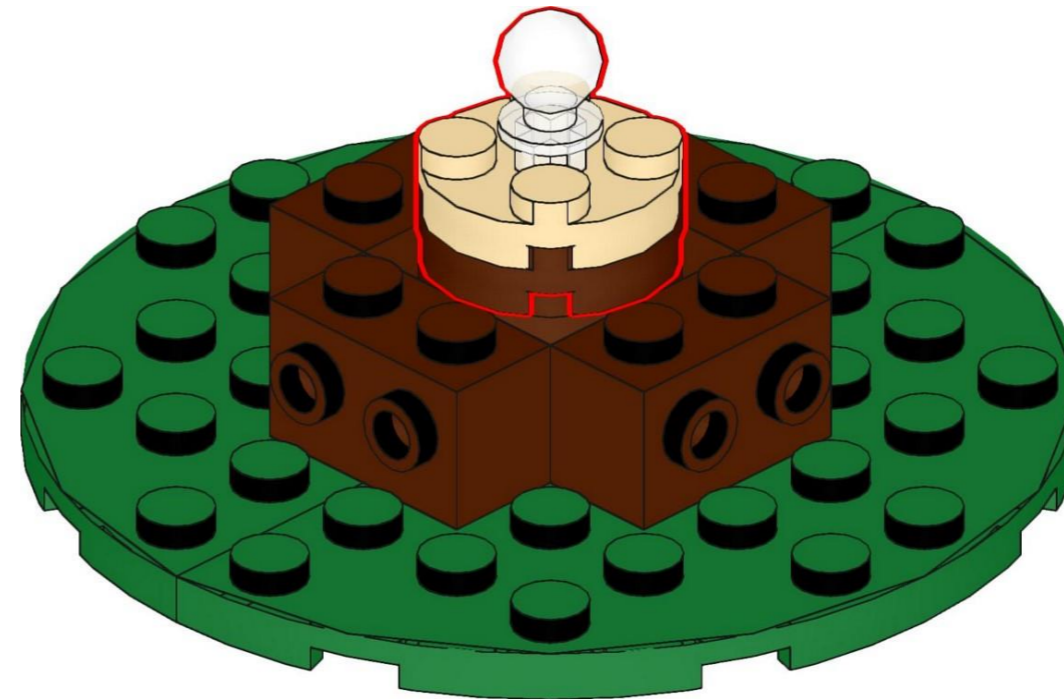
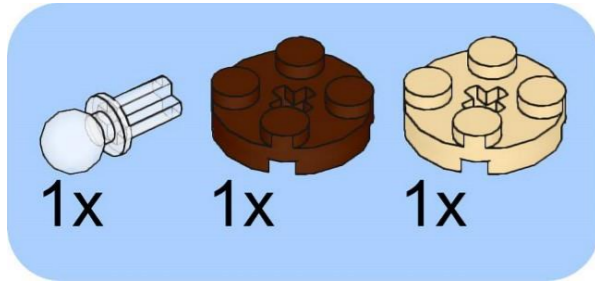




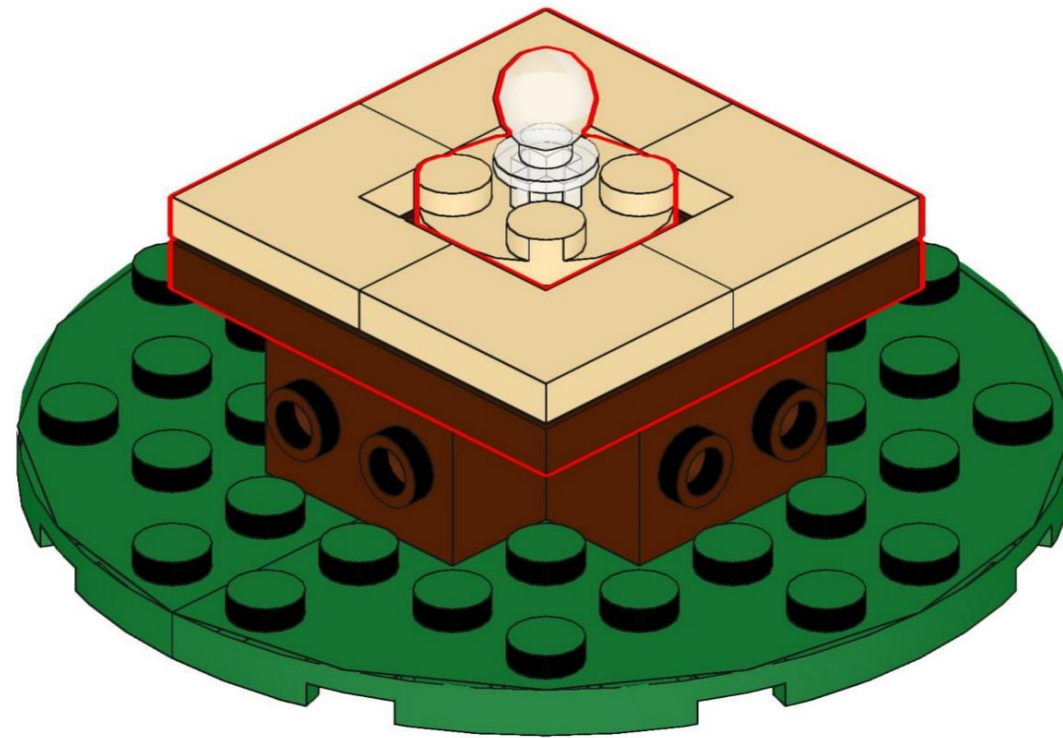
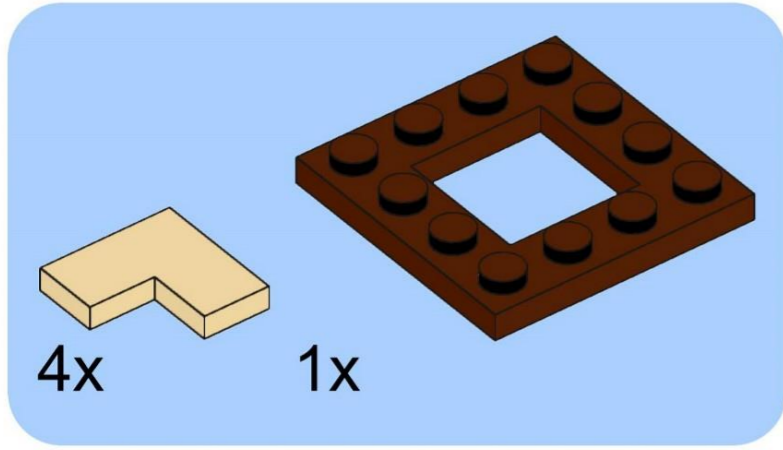
1



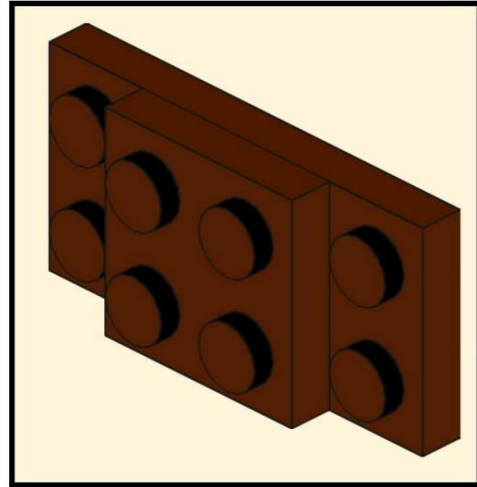
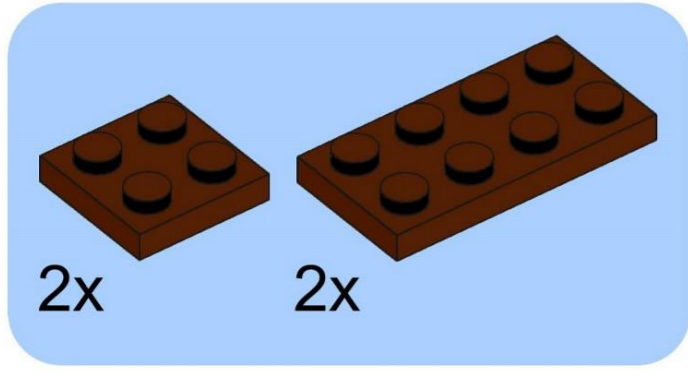
2



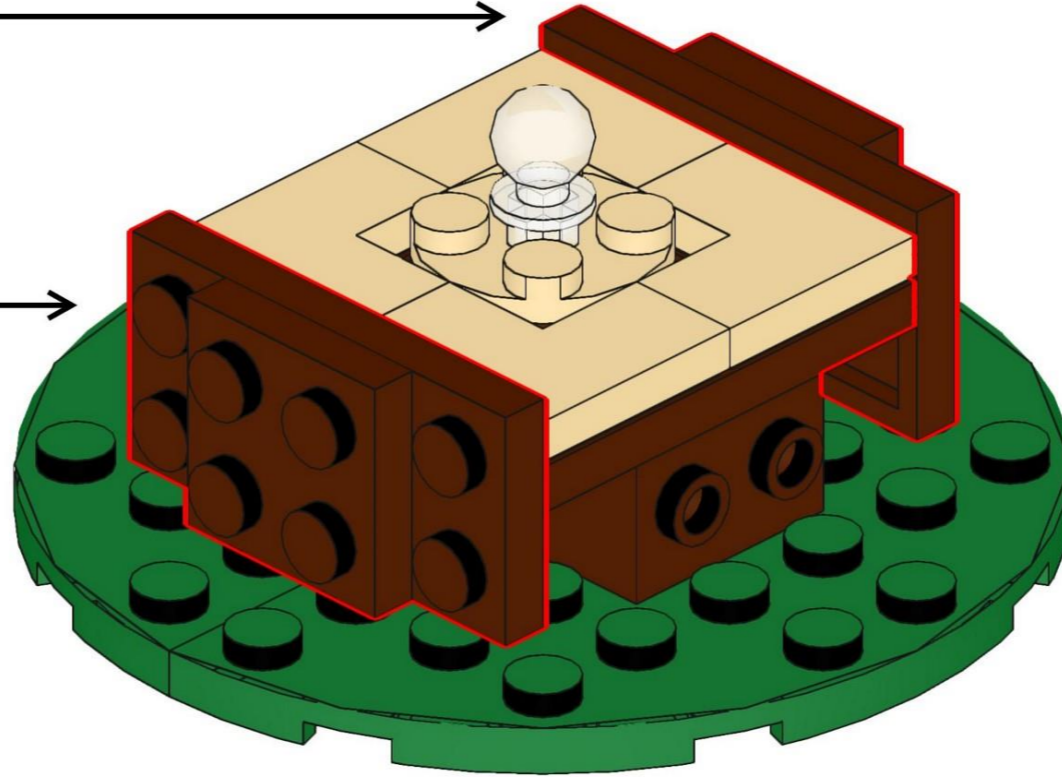
3



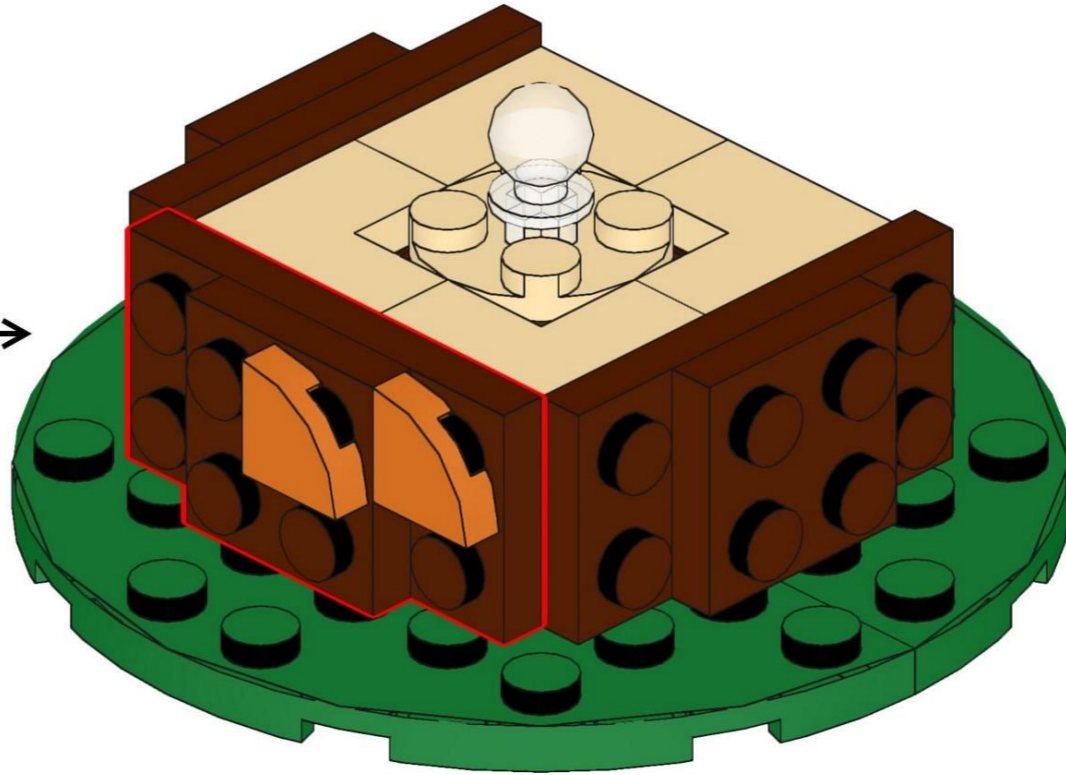
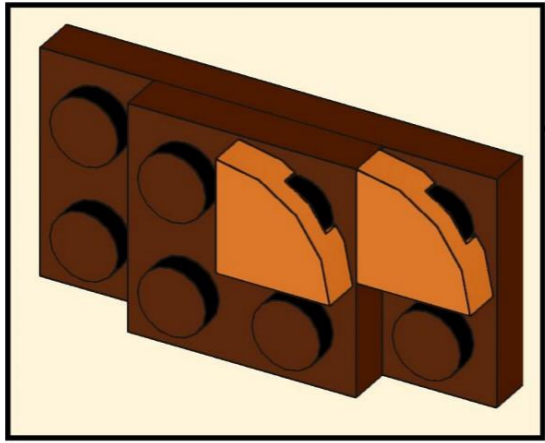
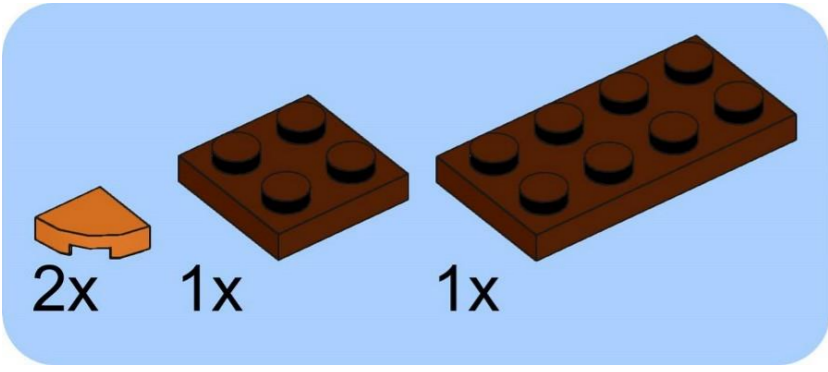
4



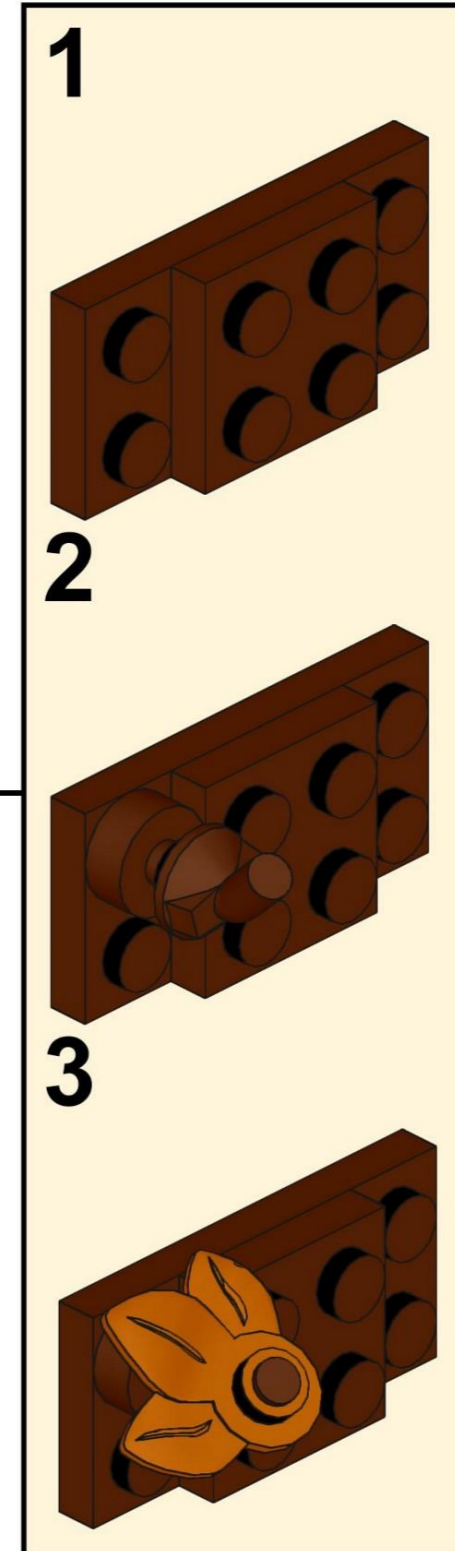
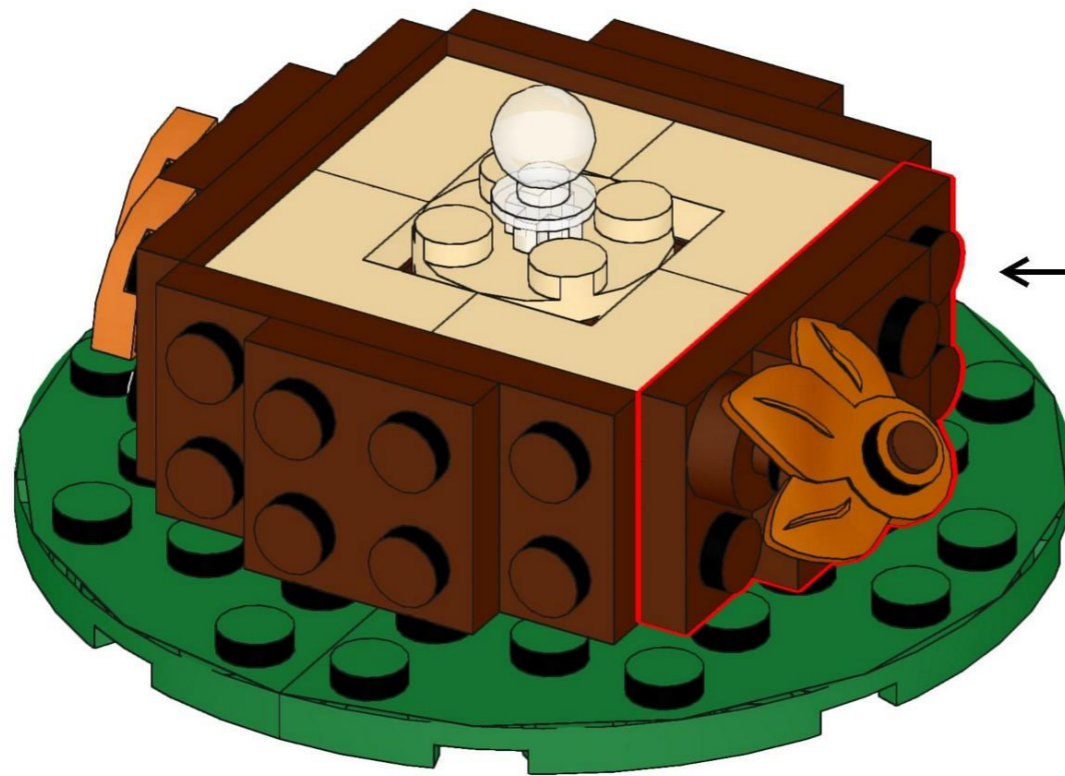
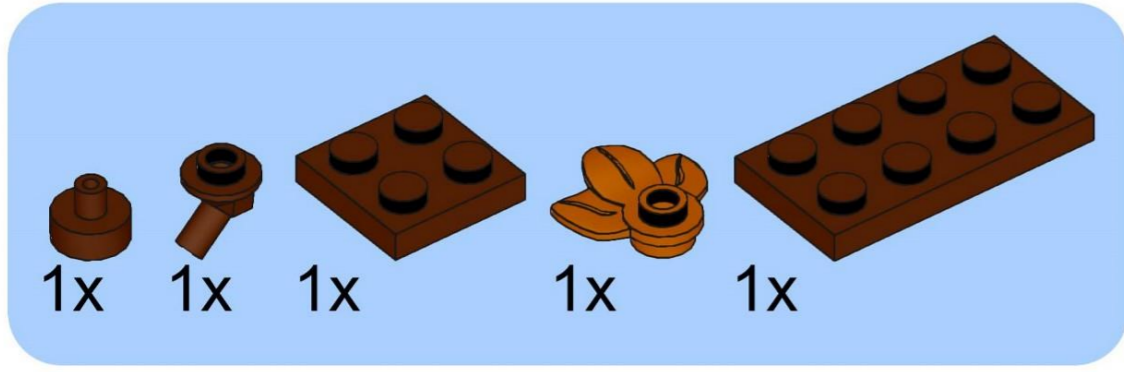
2x



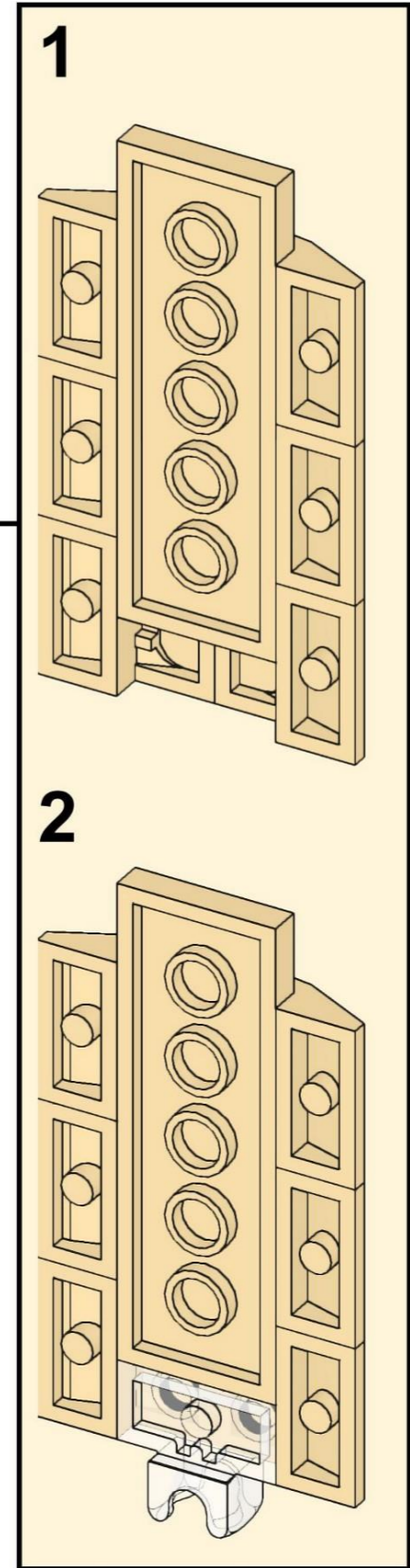
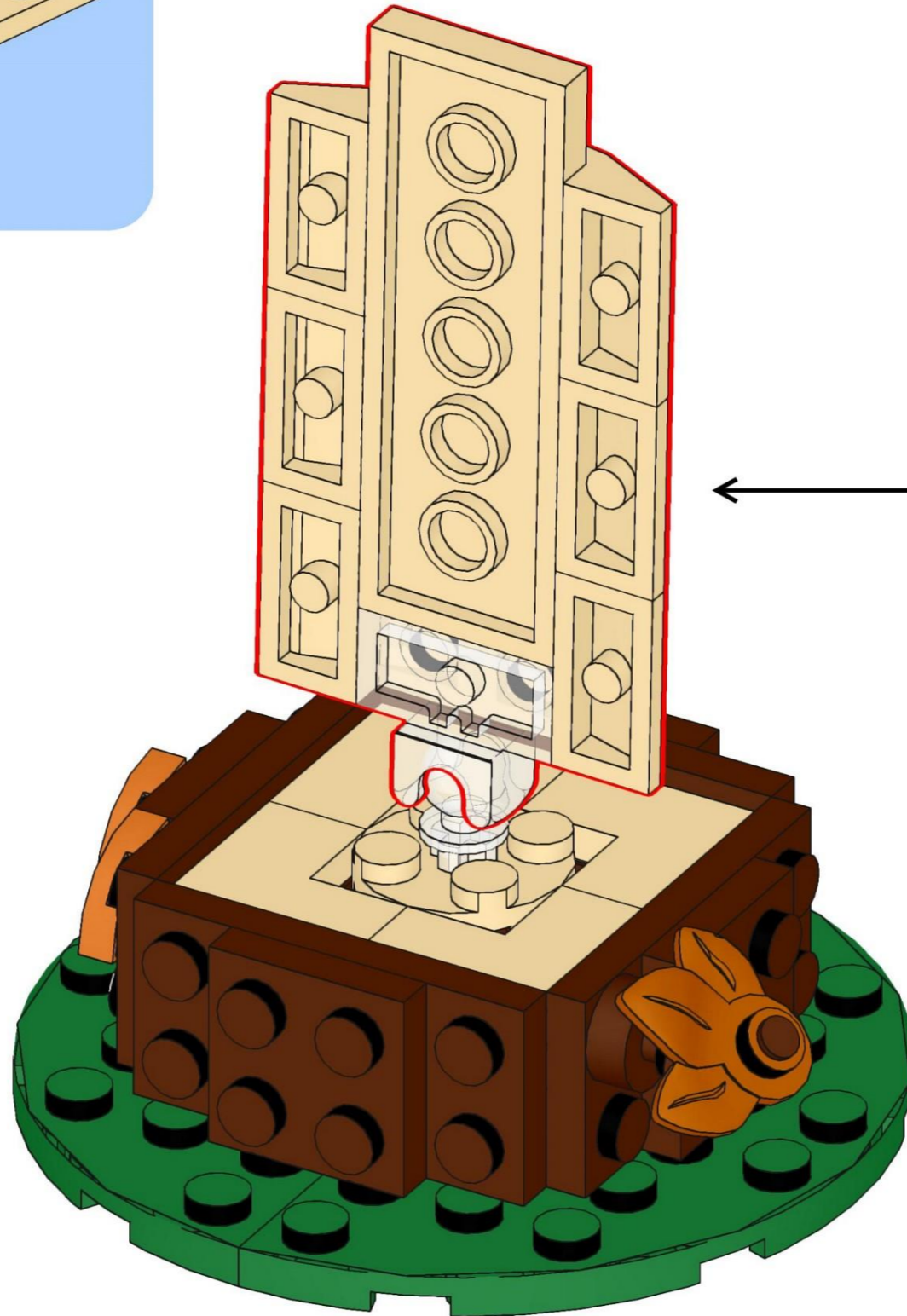
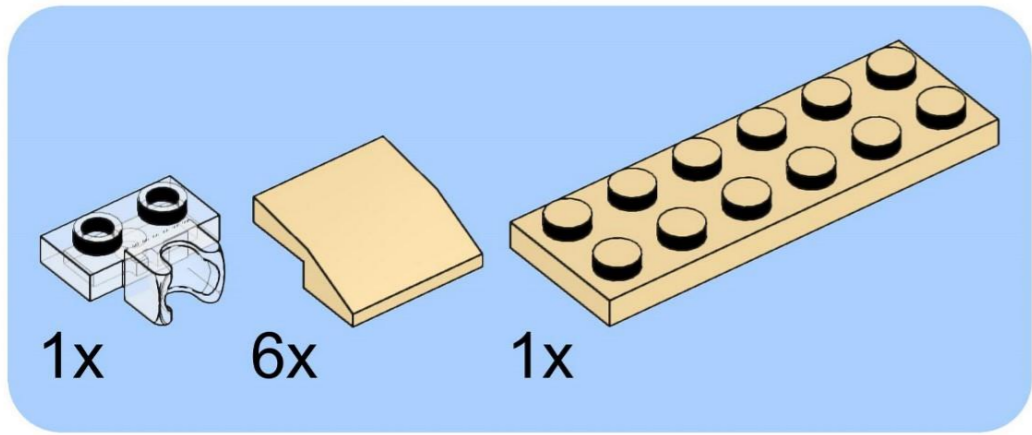
5



6

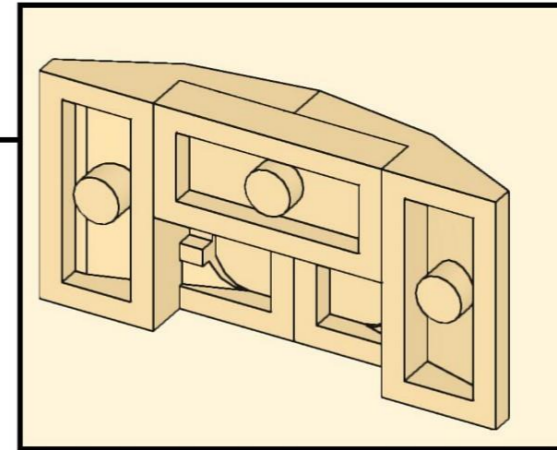
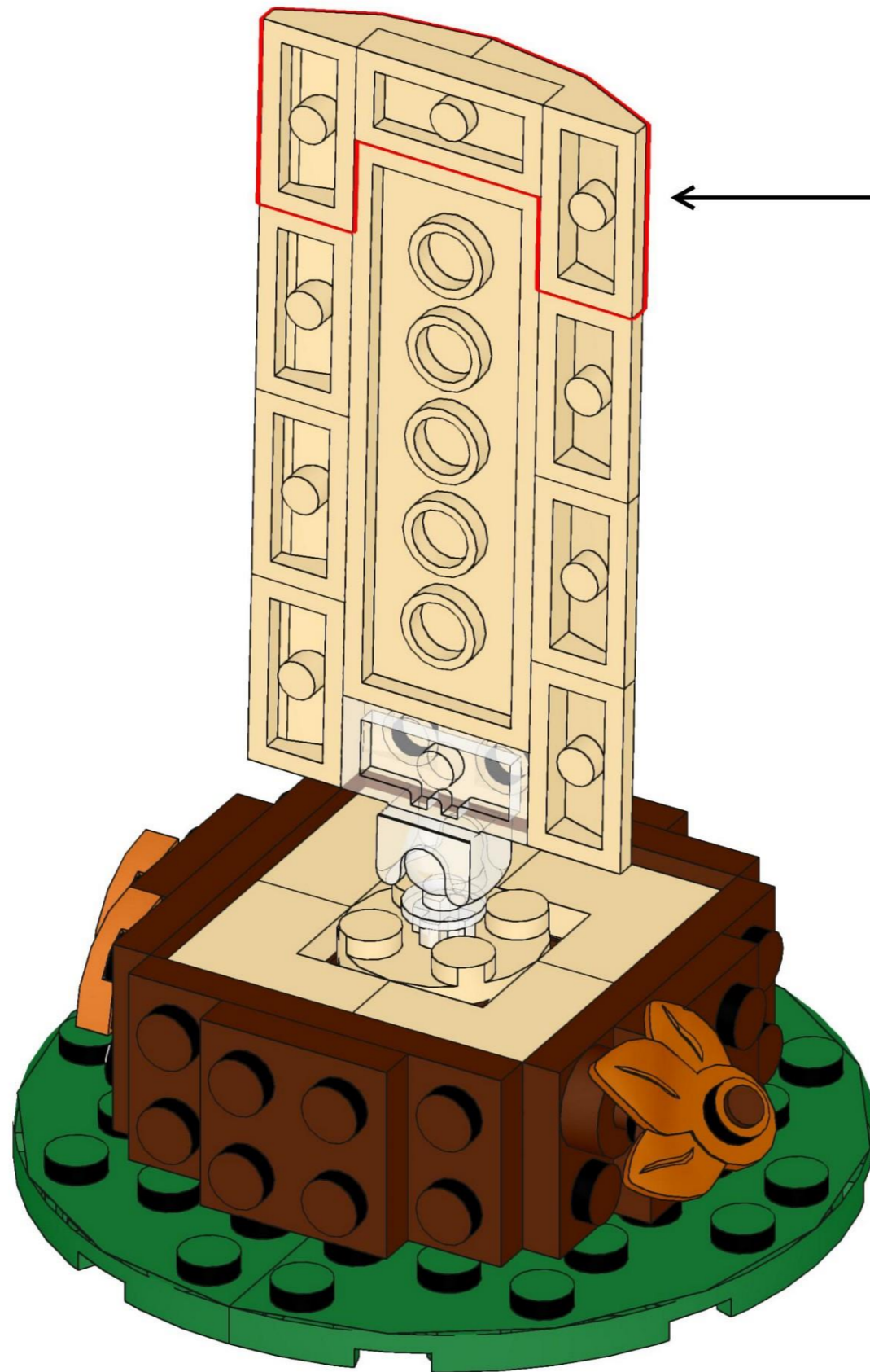
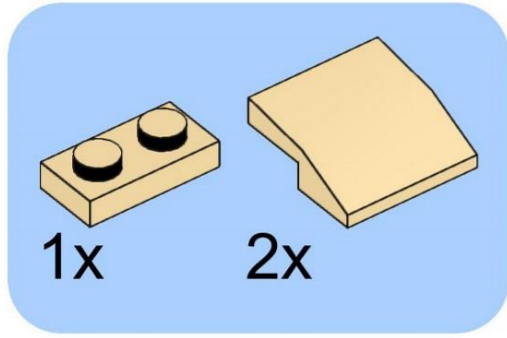


7

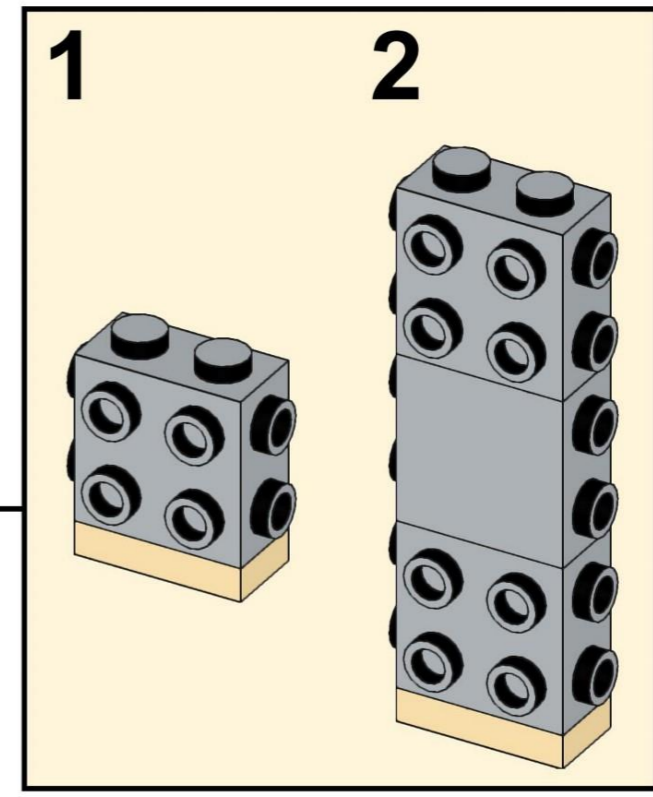
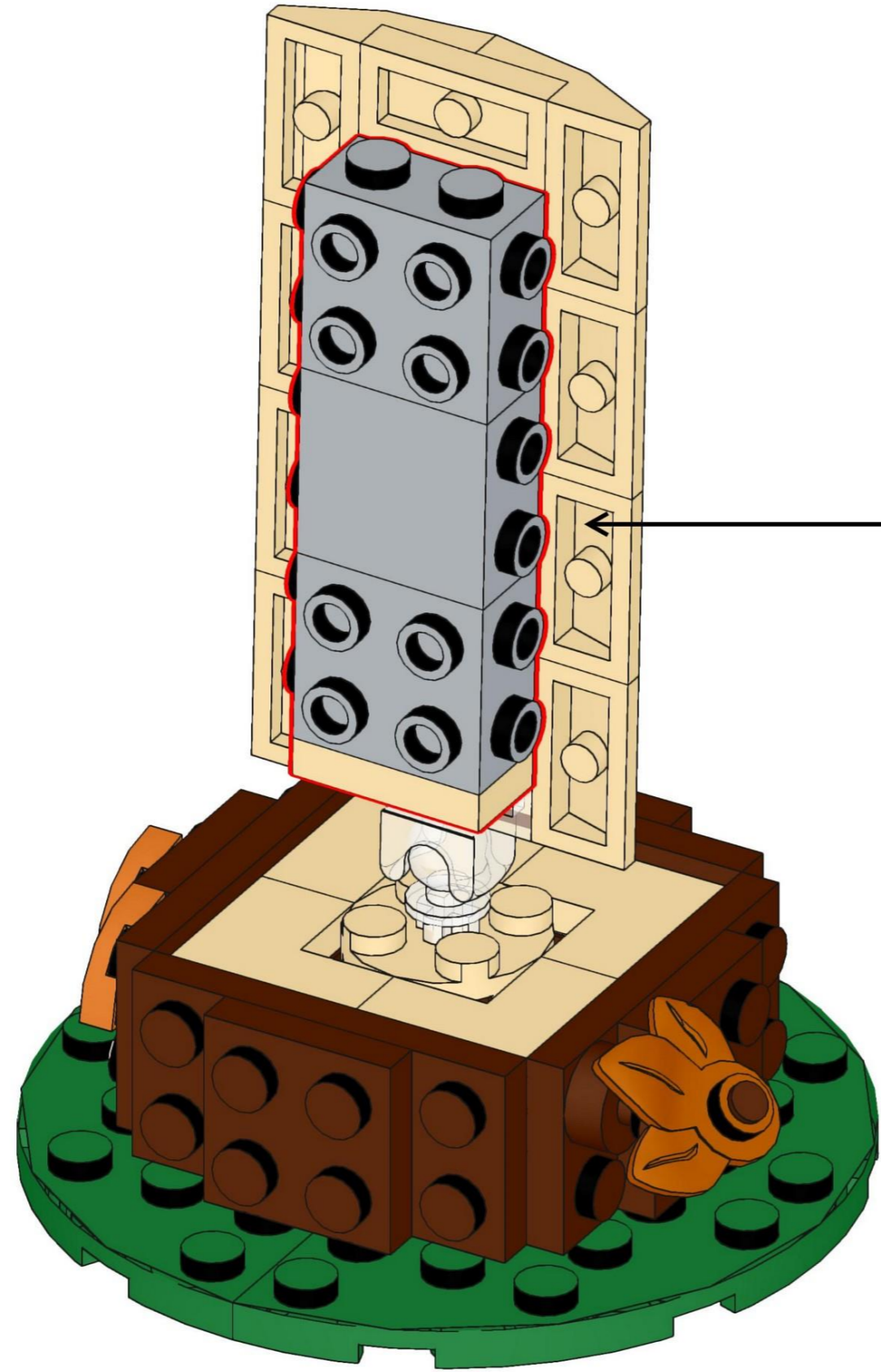
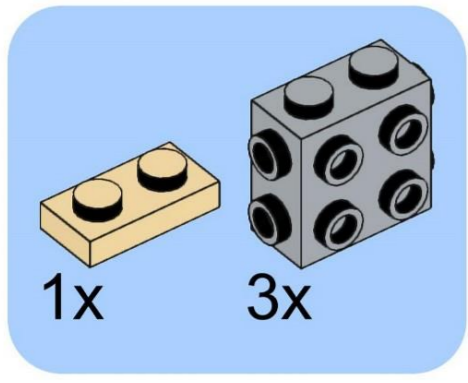




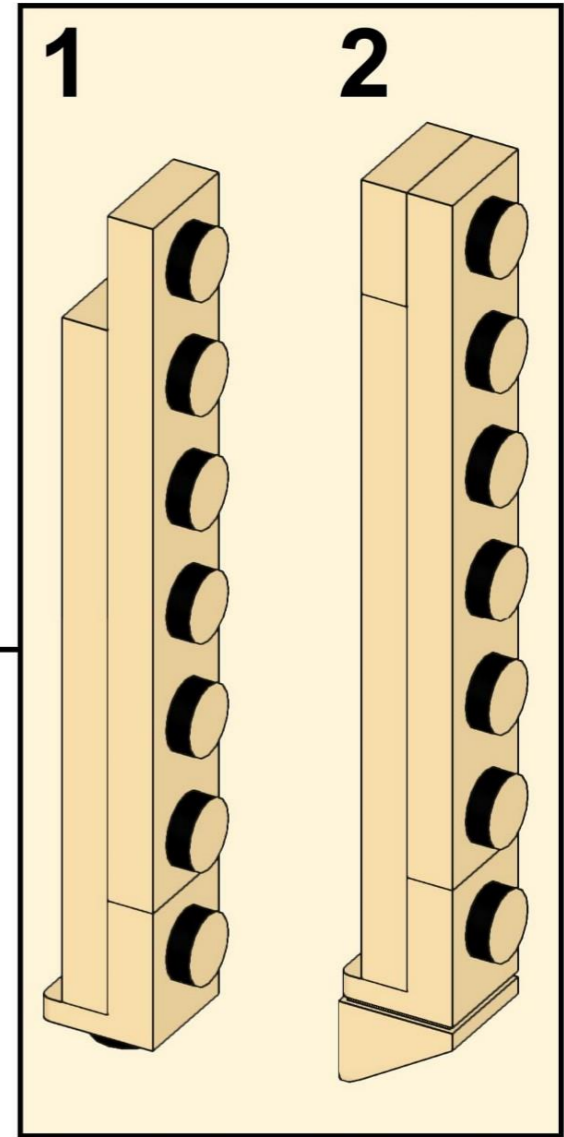
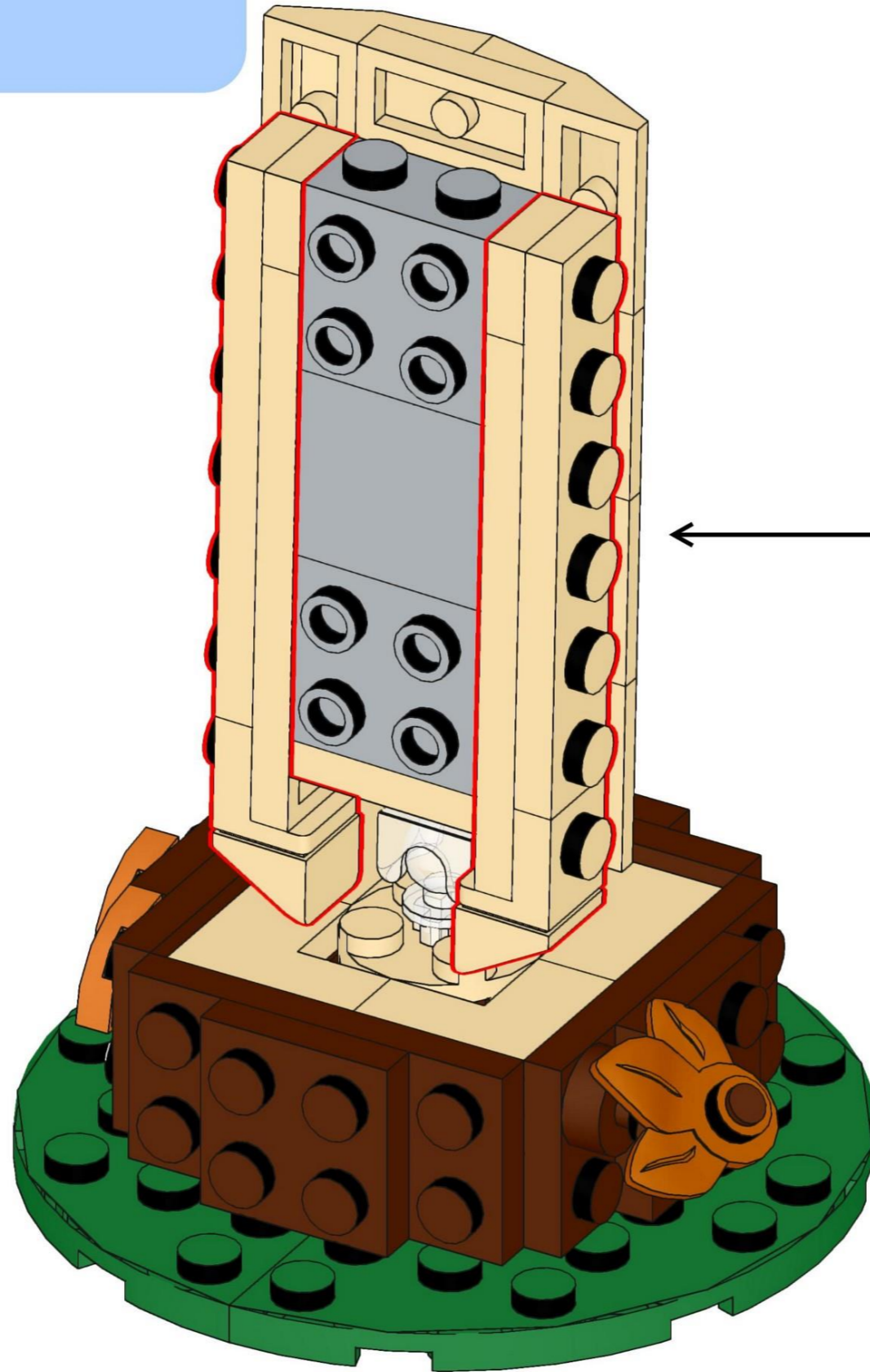
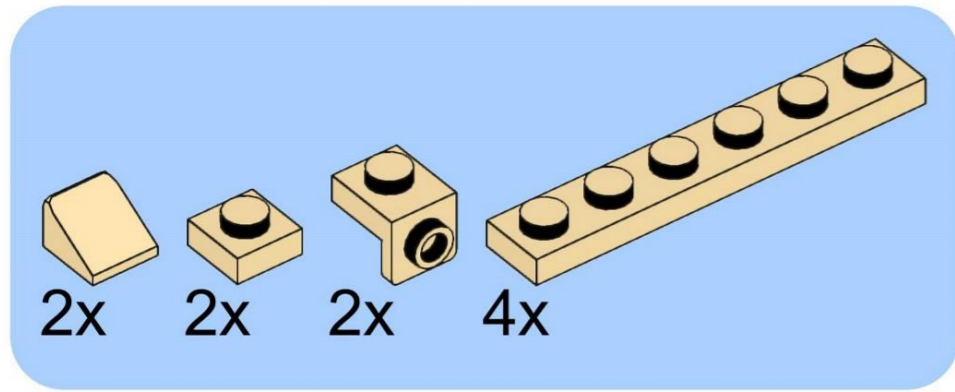
8



9

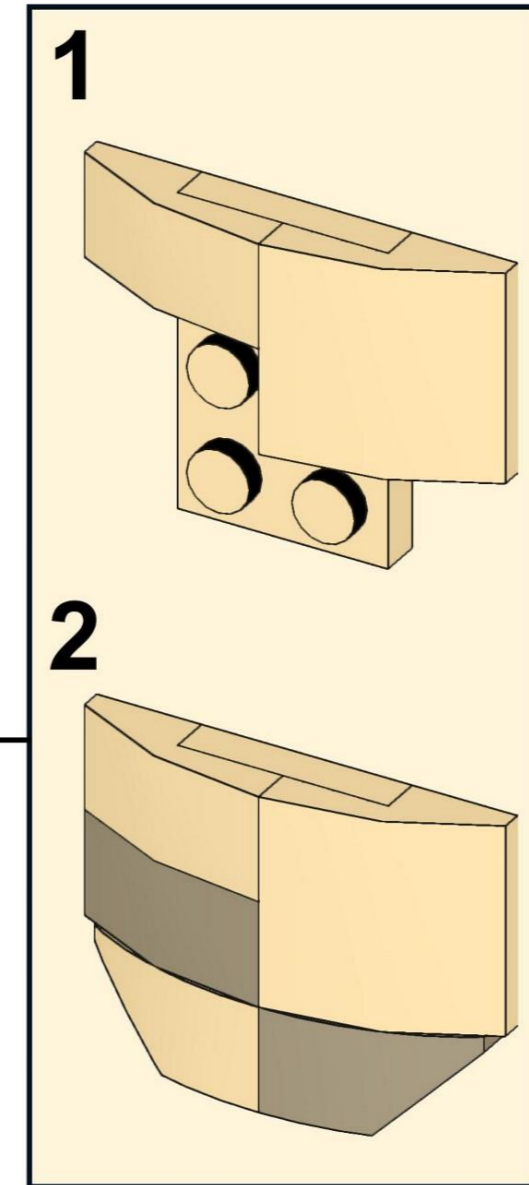
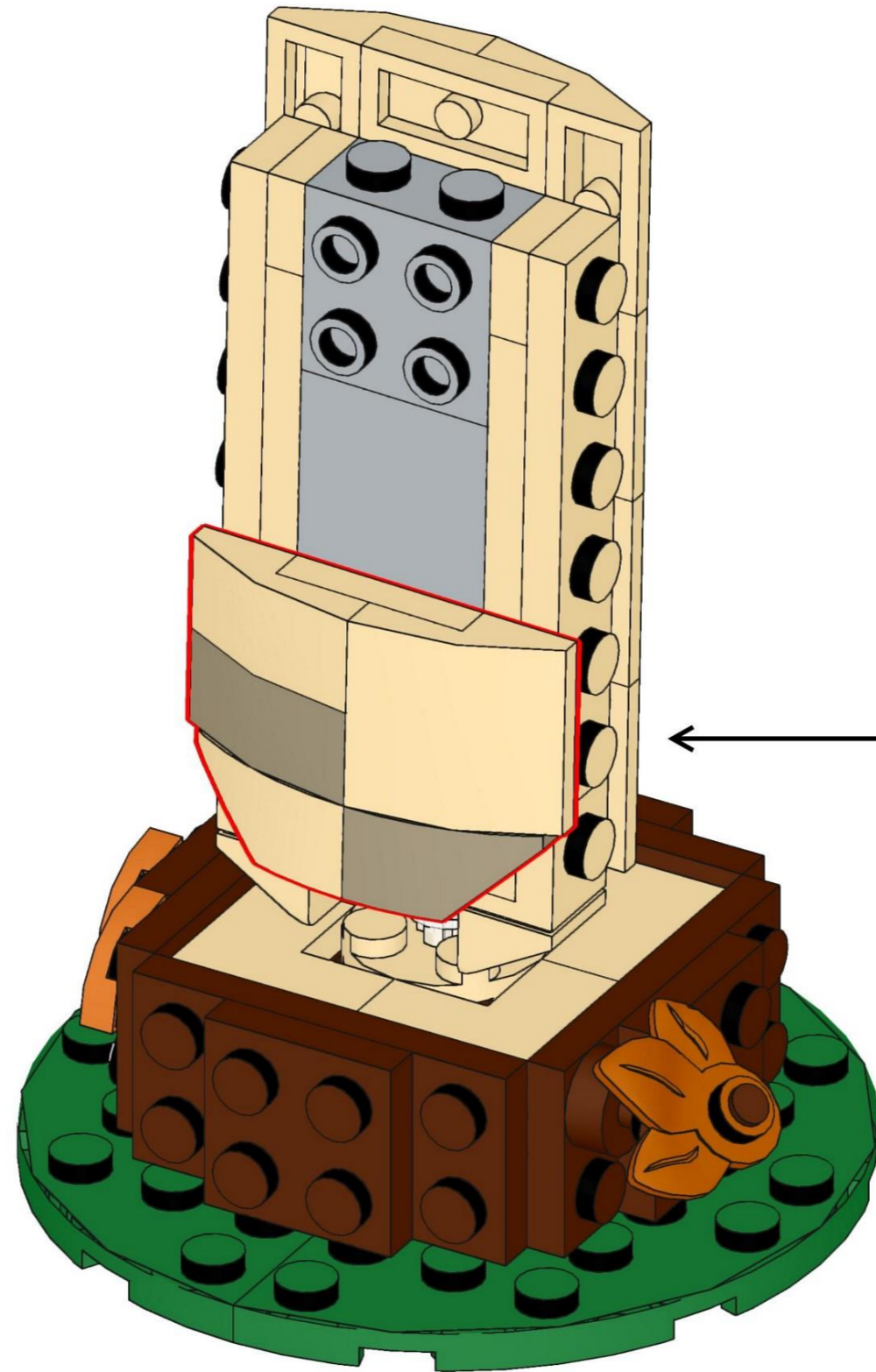
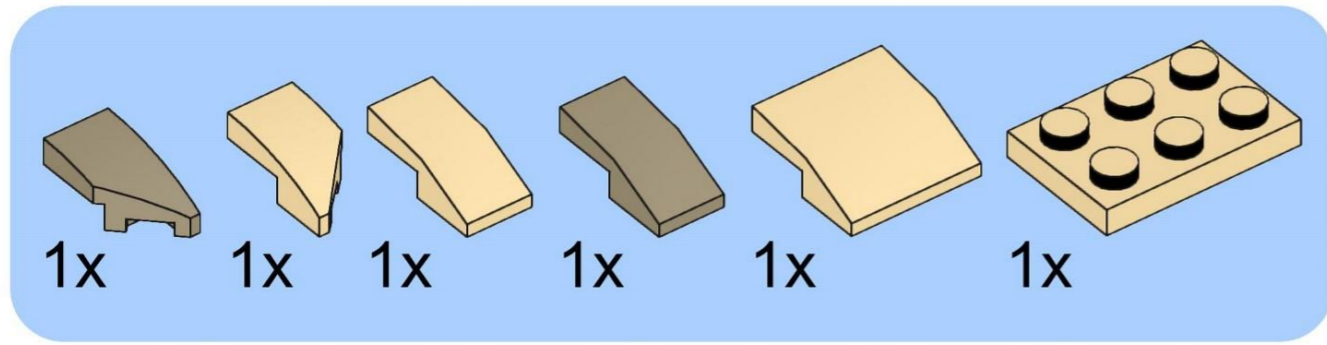


# 10

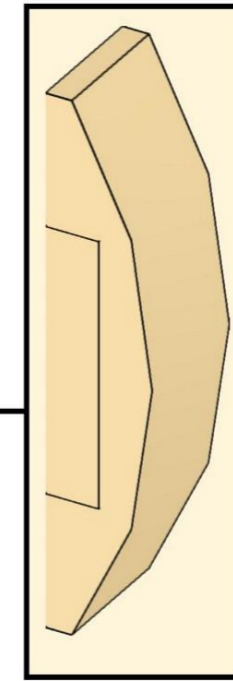
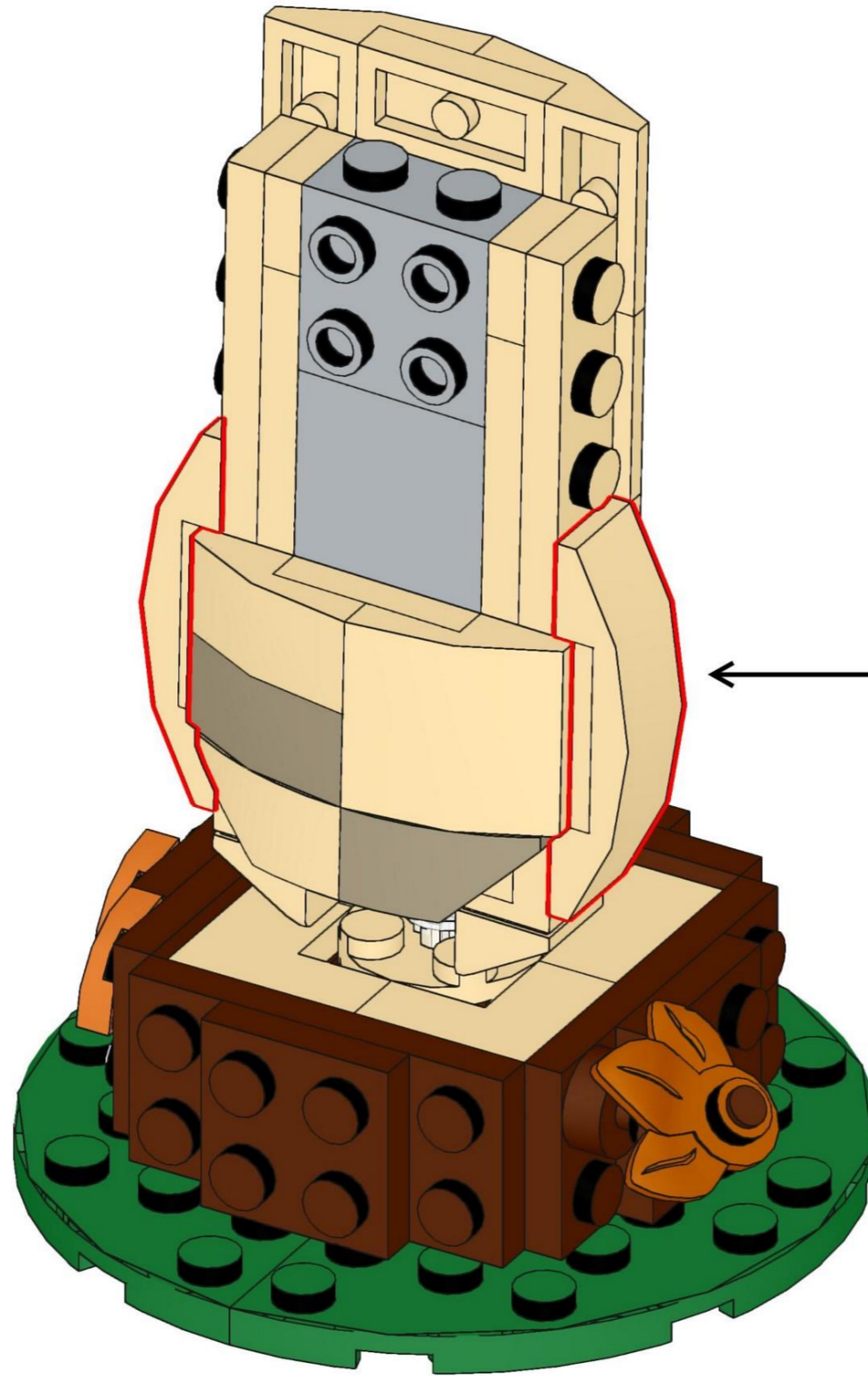
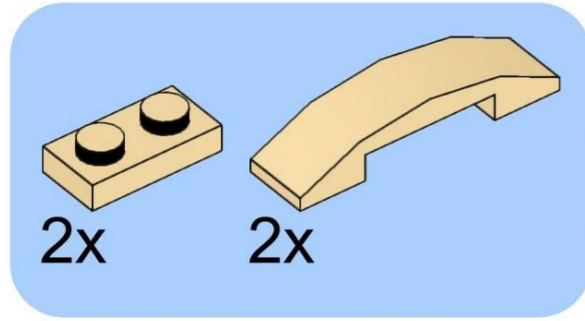


2x

# 11

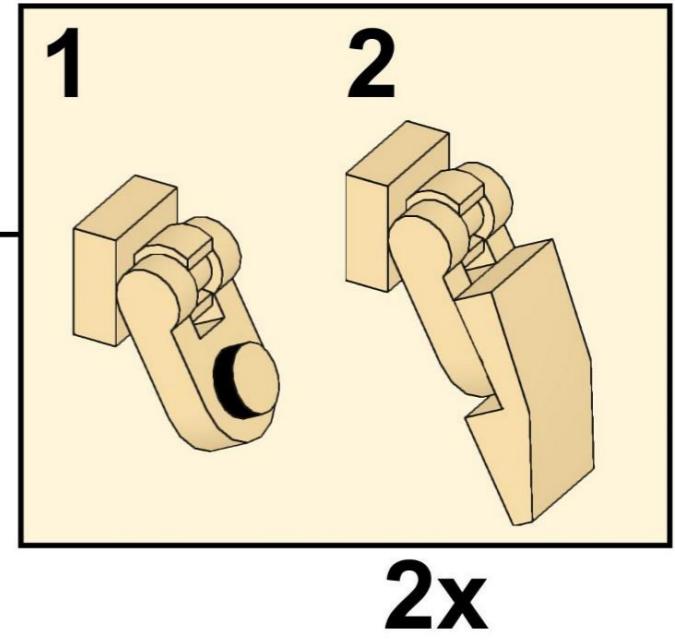
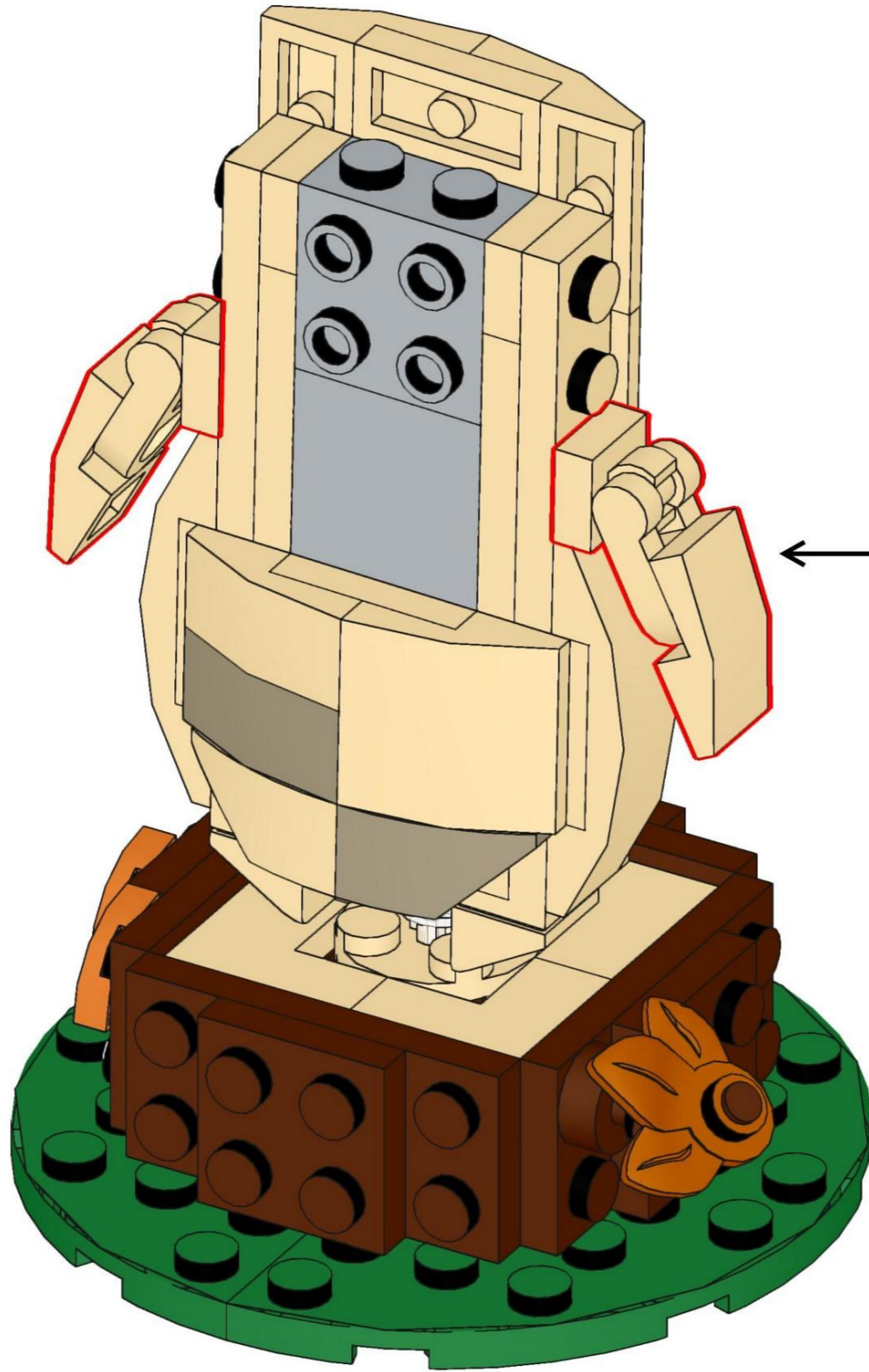
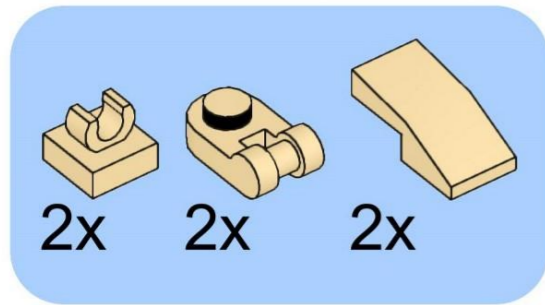


12

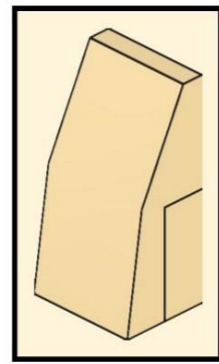
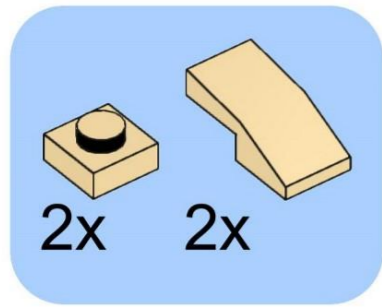


2x

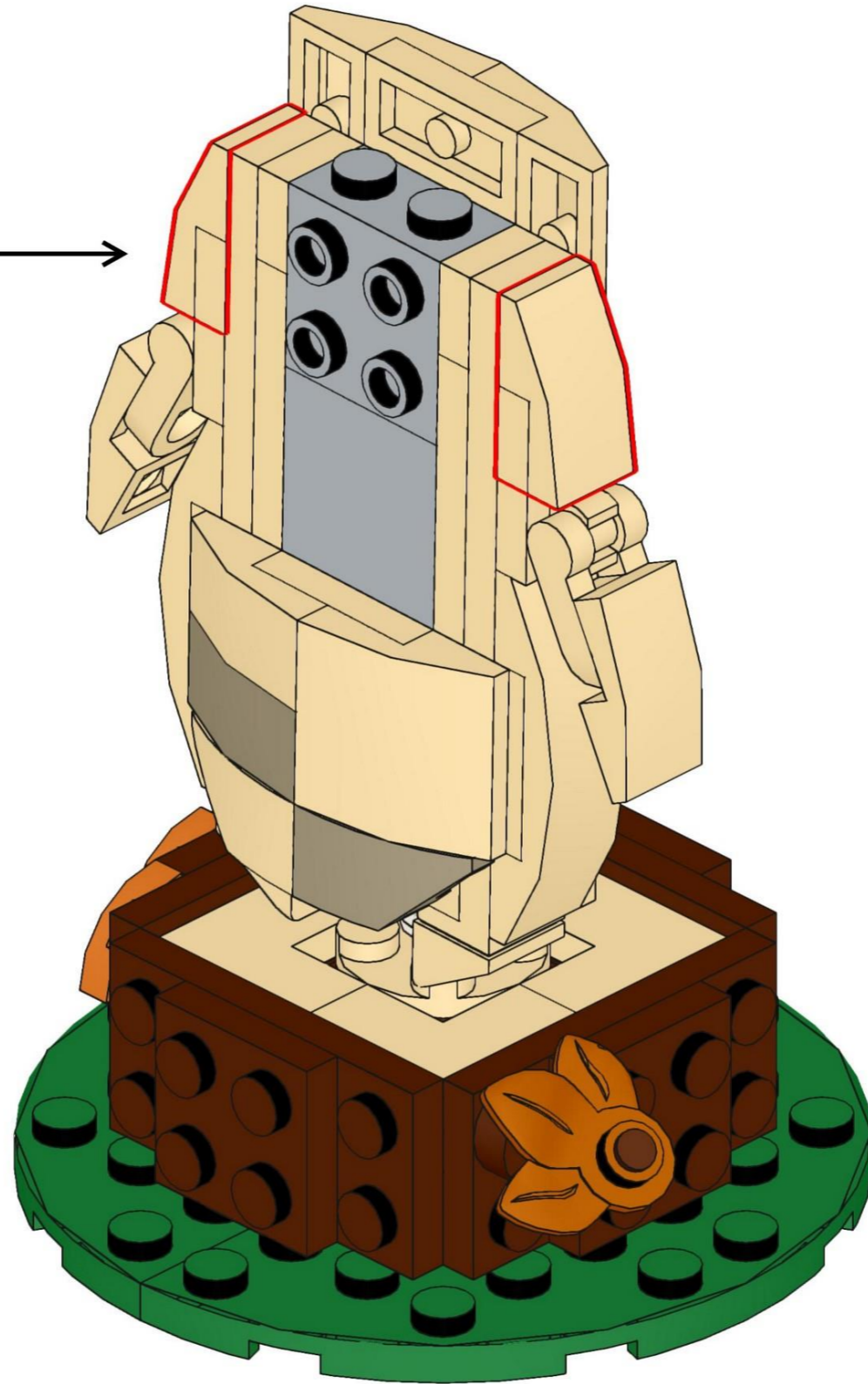
# 13



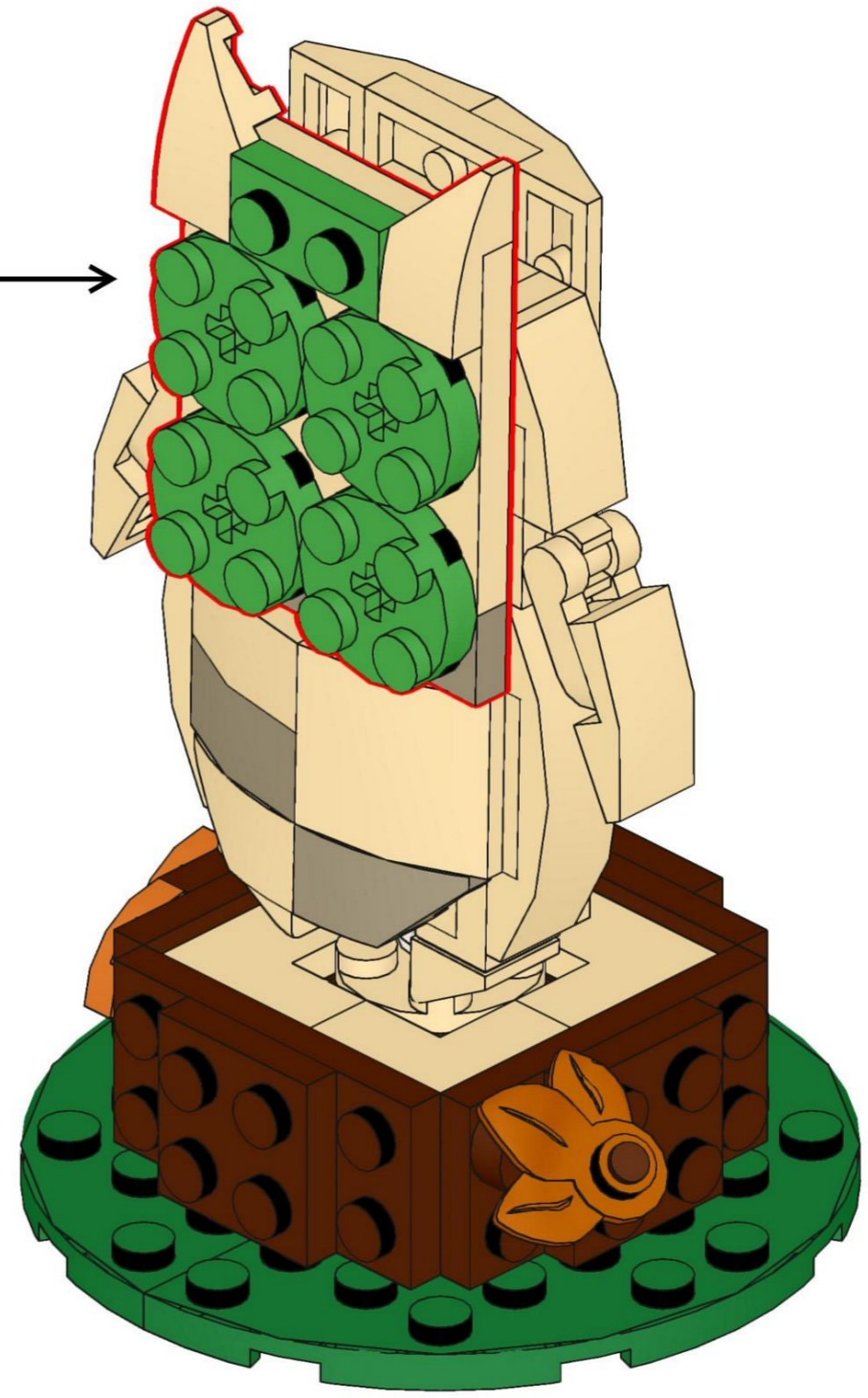
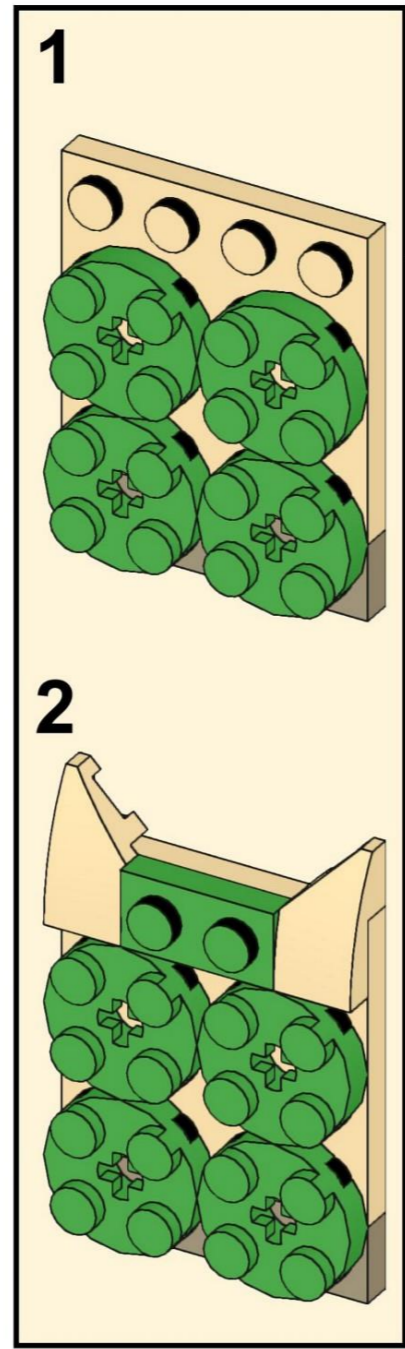
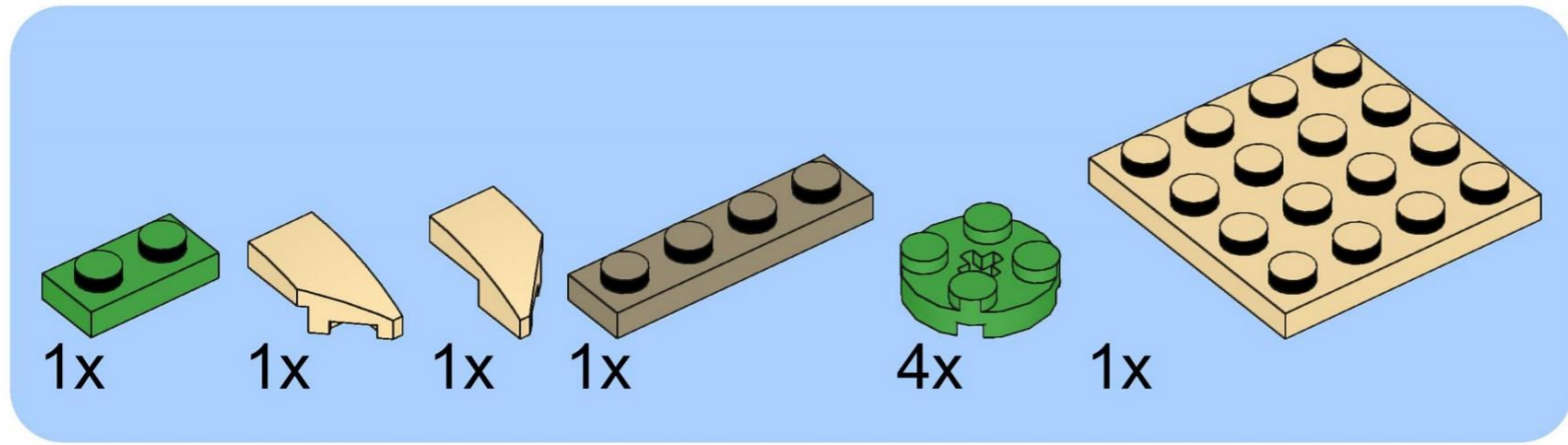
14



2x

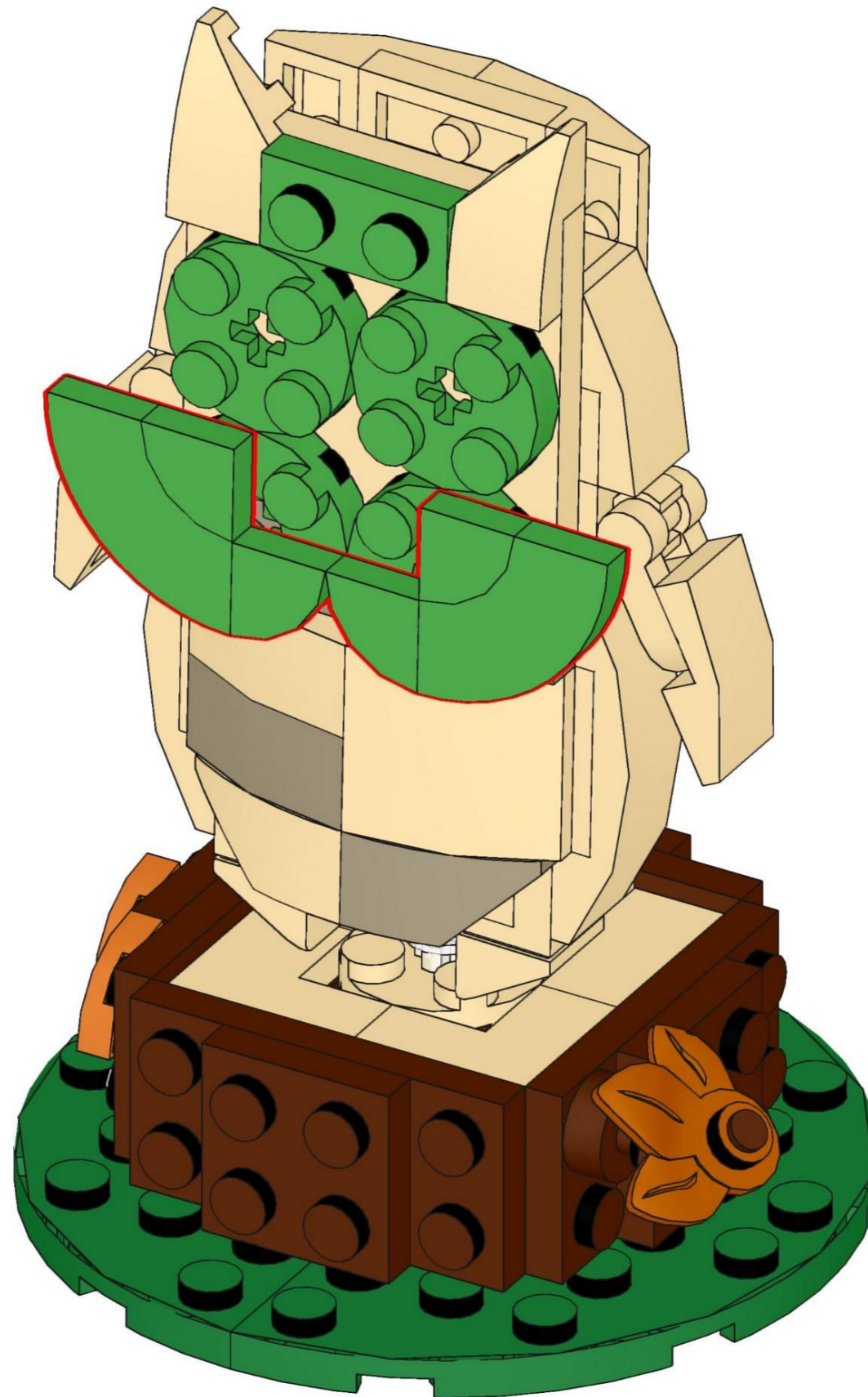
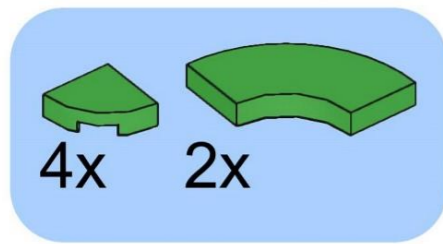


# 15

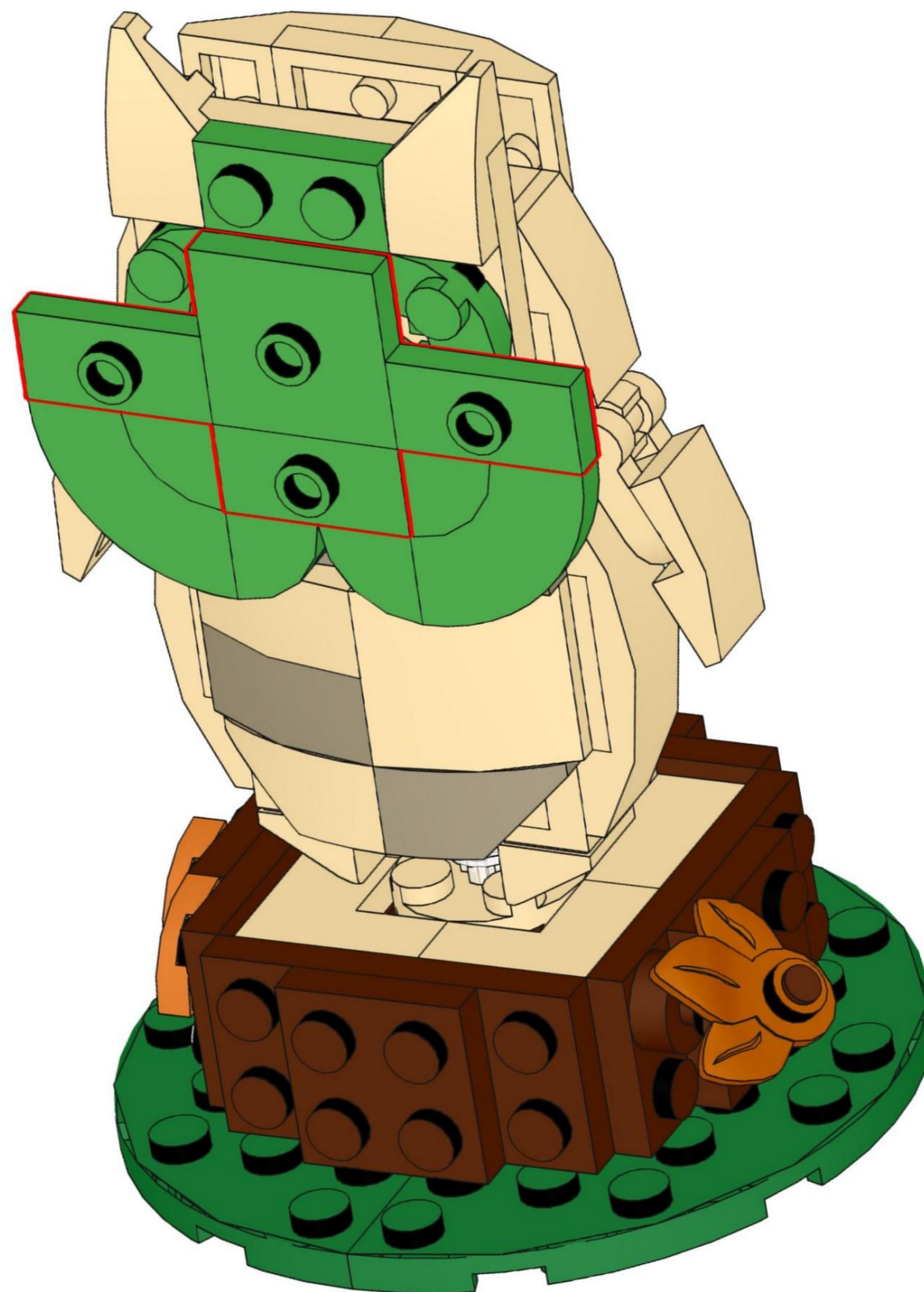
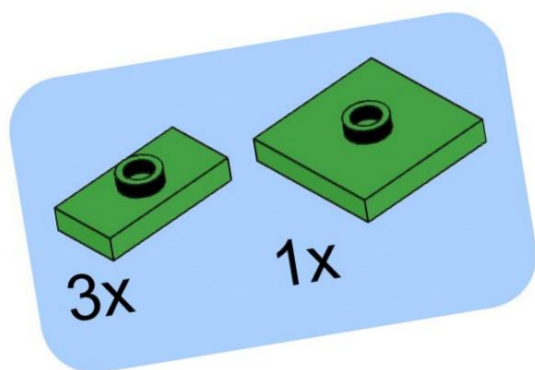




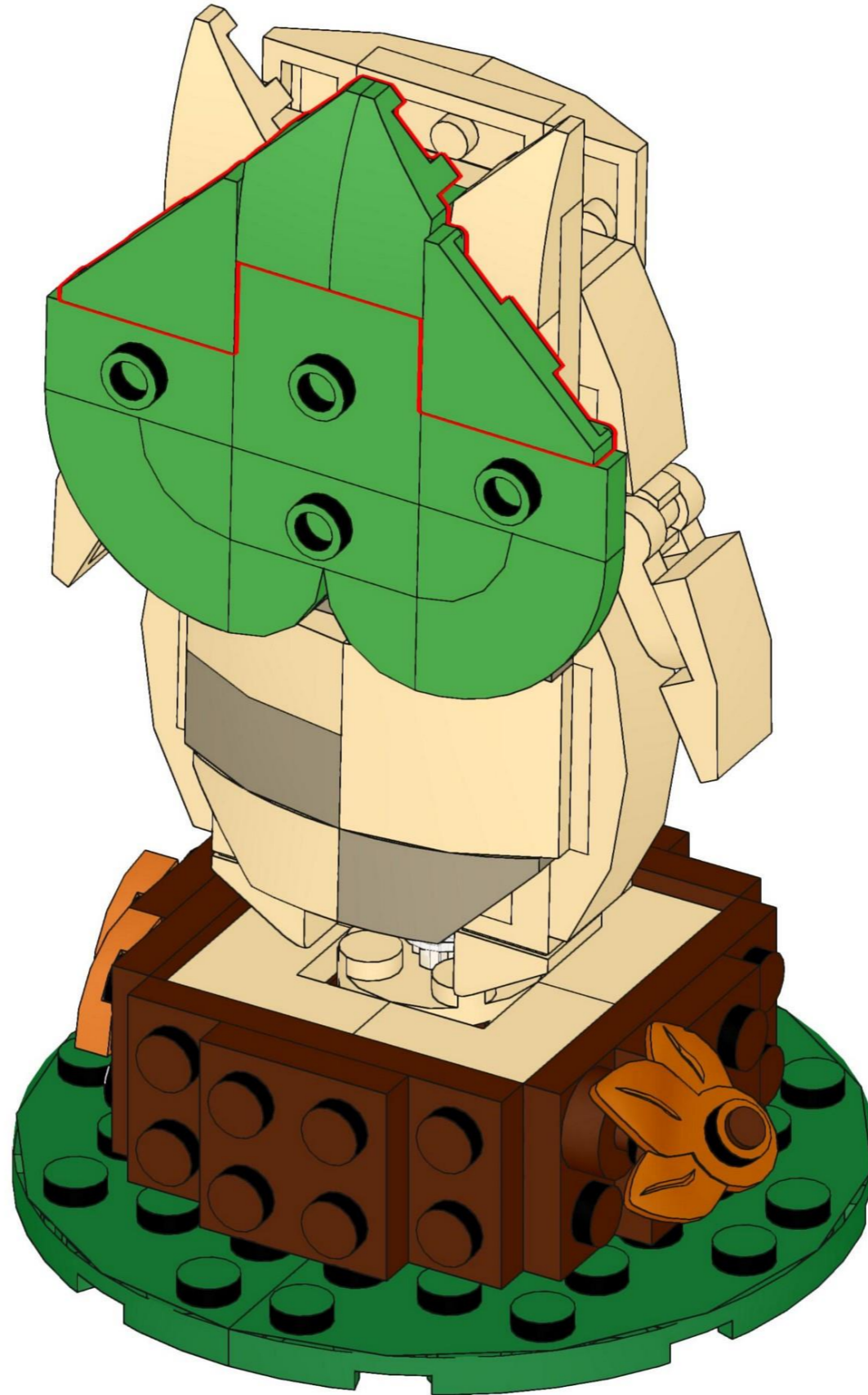
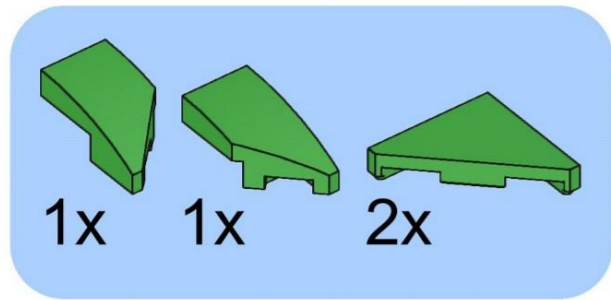
# 16



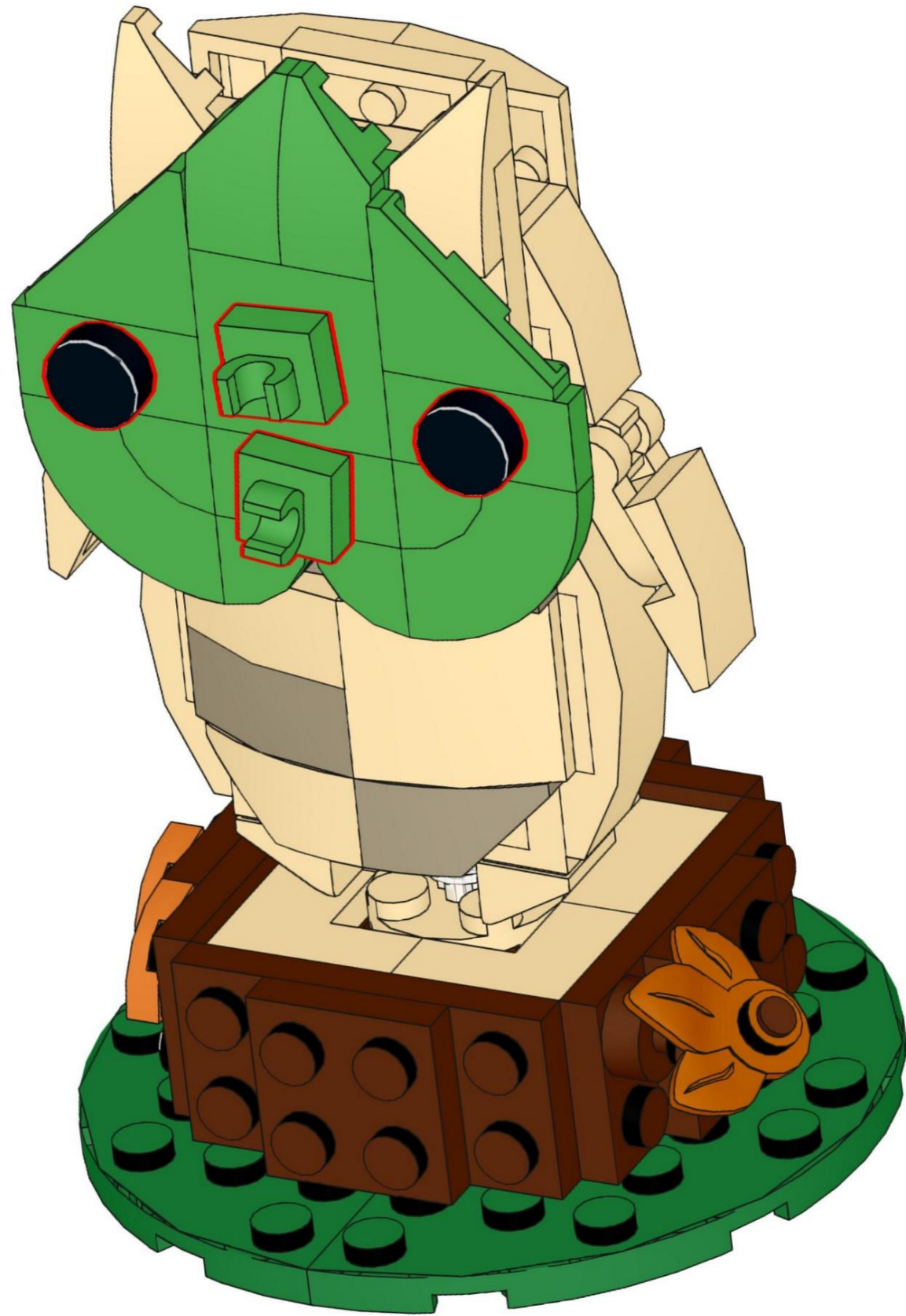
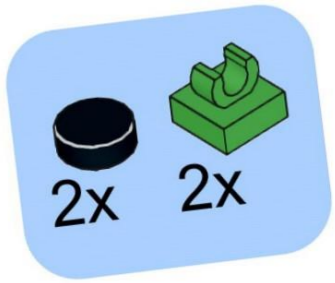
17



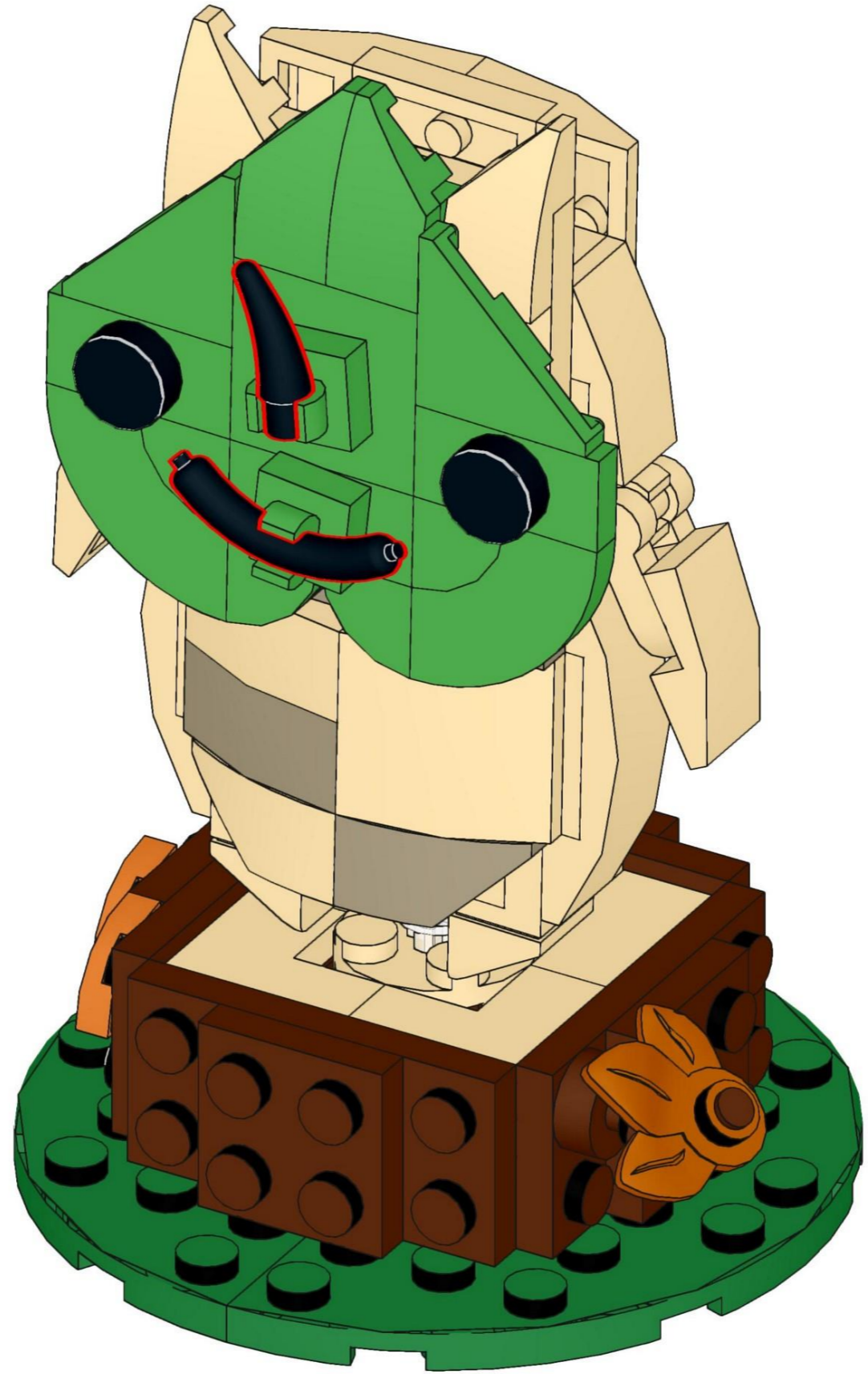
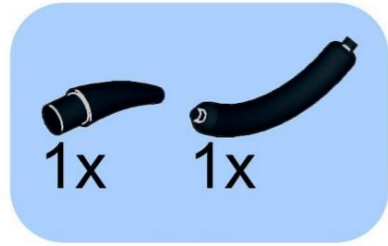
# 18

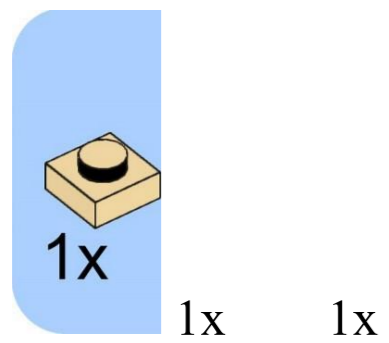
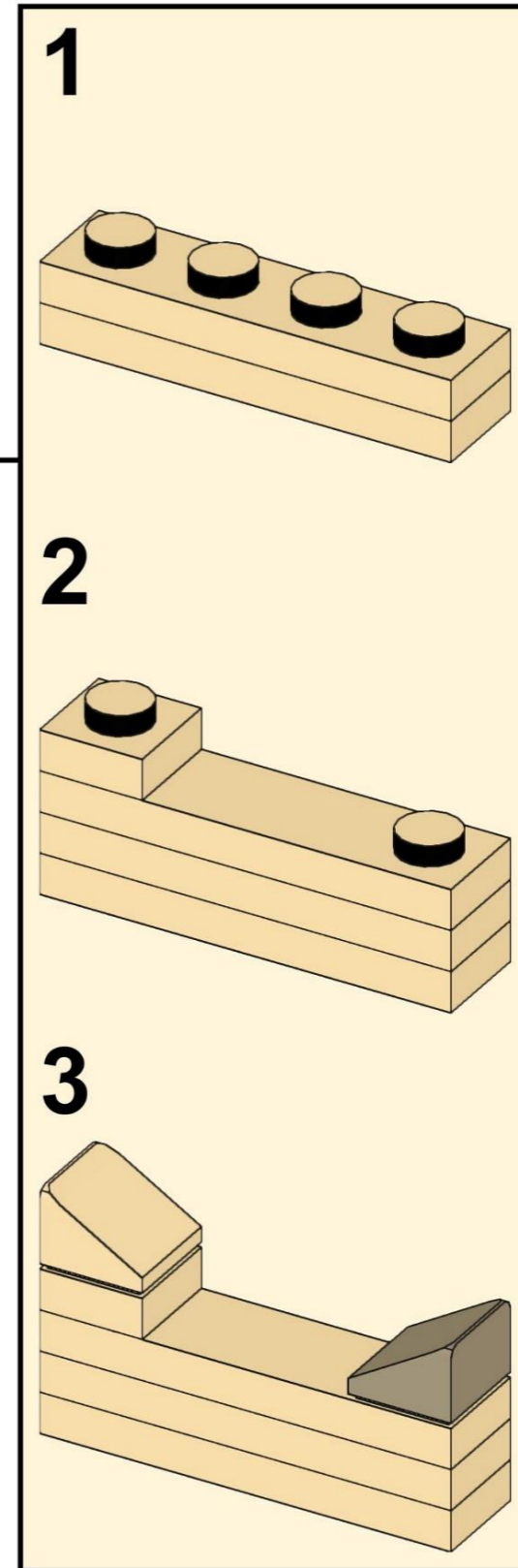
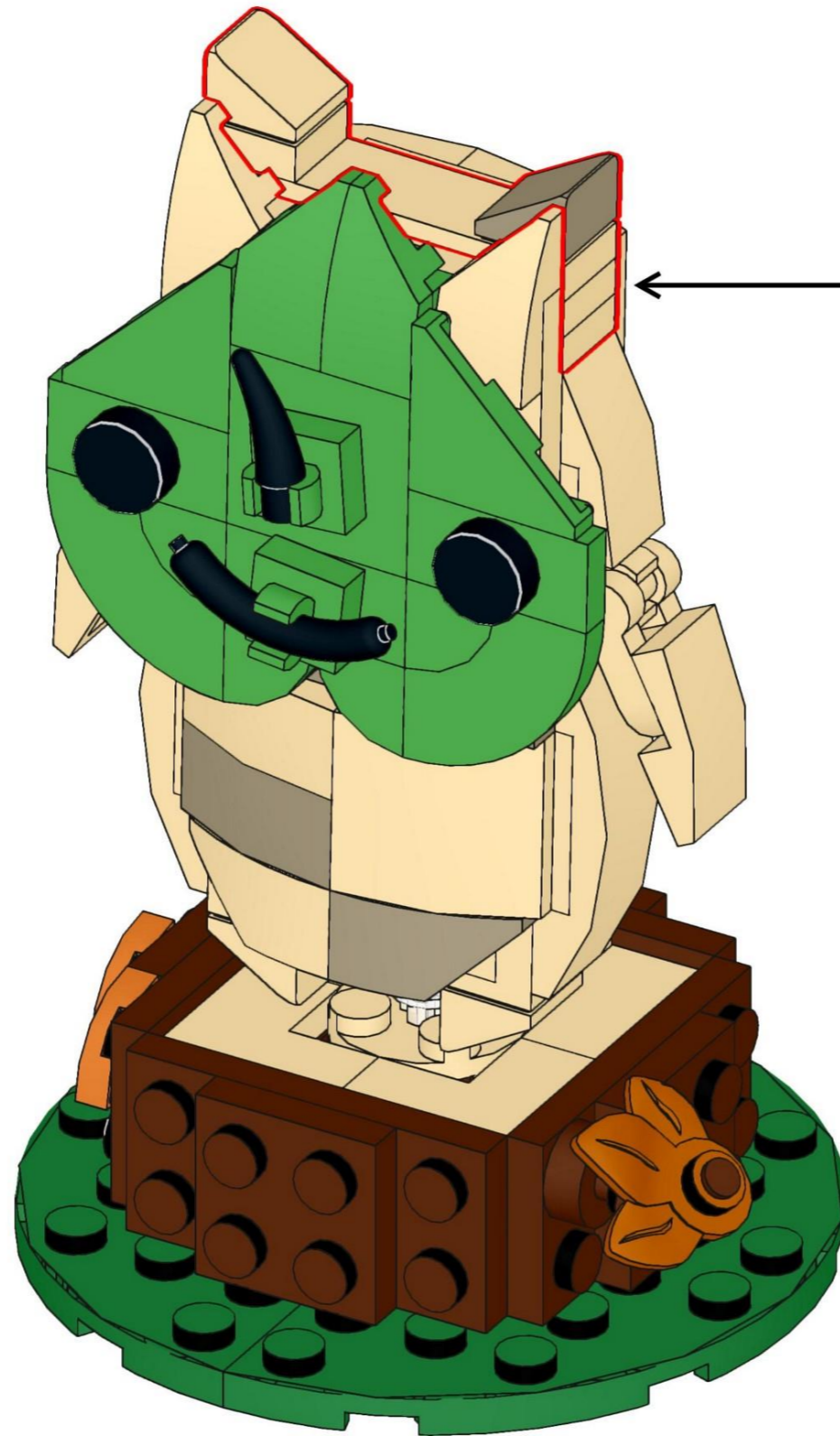
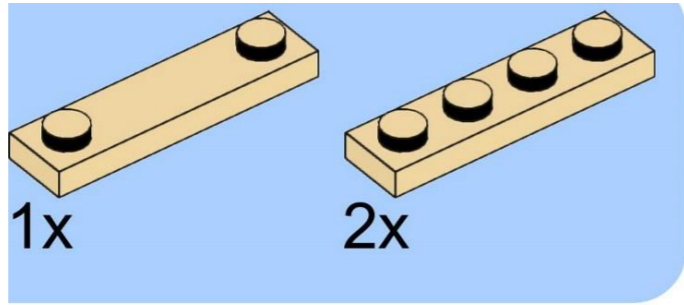


19



20





22

