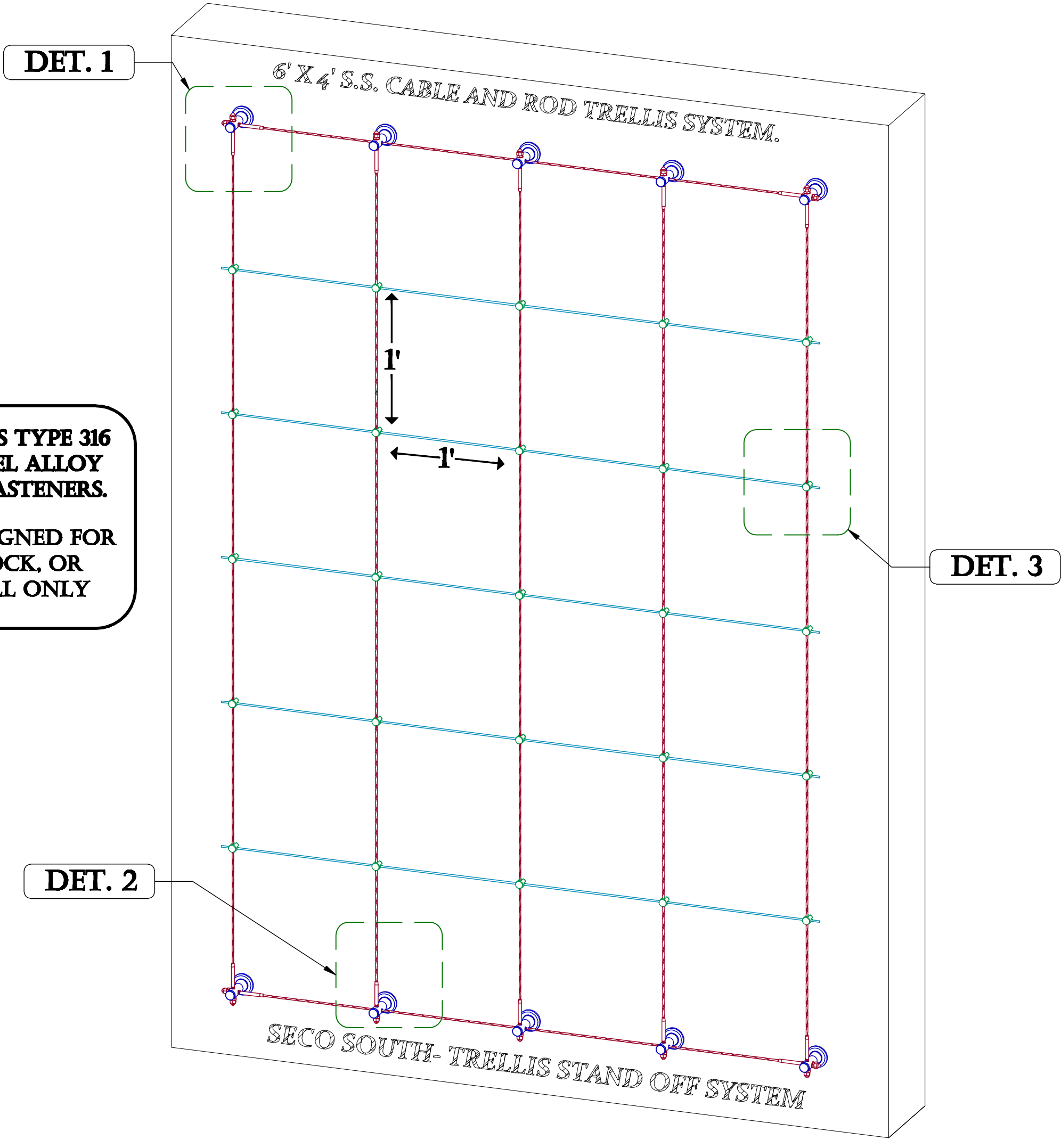
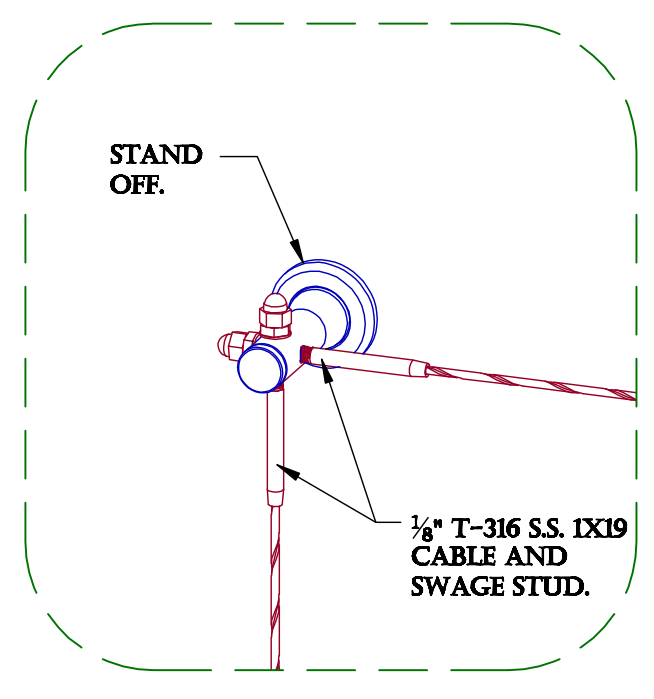


ALL MATERIALS TYPE 316 STAINLESS STEEL ALLOY EXCEPT FOR FASTENERS.
THIS KIT IS DESIGNED FOR A BRICK, BLOCK, OR PRECAST WALL ONLY

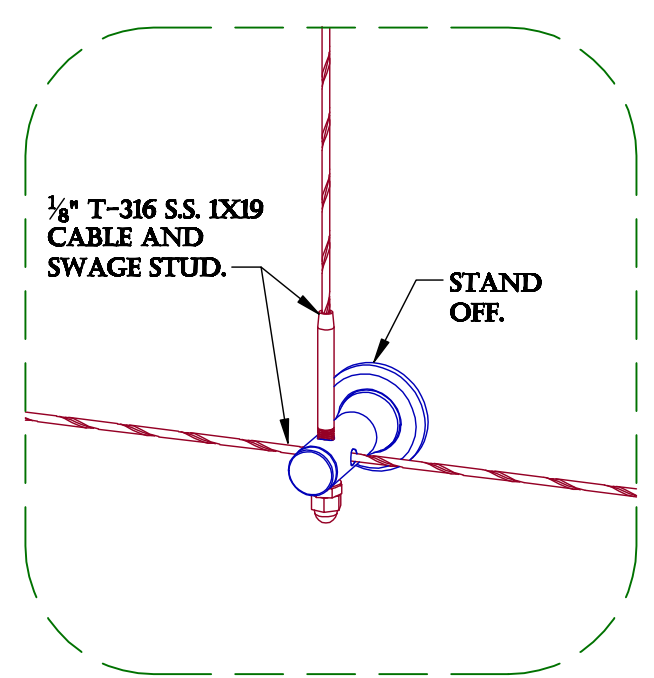


TYPICAL CORNER ATTACHMENT.



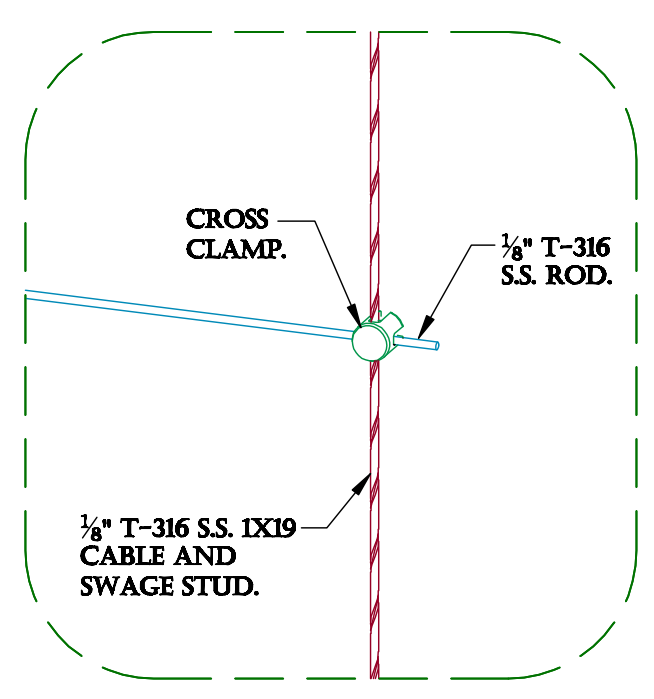
MOUNTING DETAIL 1.
SCALE: 4" = 1'

TYPICAL END/ INTERMEDIATE ATTACHMENT.

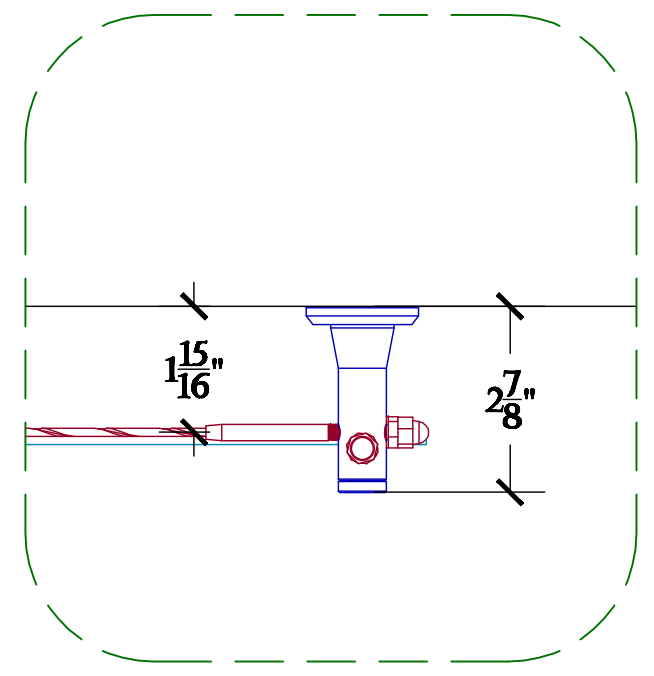


MOUNTING DETAIL 2.

TYPICAL CABLE AND ROD INTERSECTION ATTACHMENT.

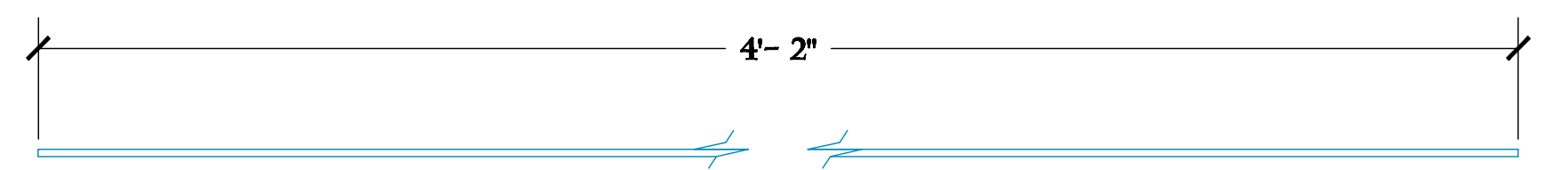


MOUNTING DETAIL 3.
SCALE: 4" = 1'

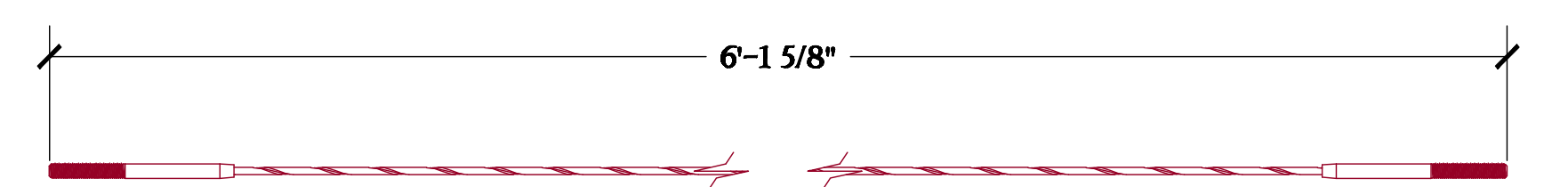


TOP VIEW DETAIL.
SCALE: 4" = 1'

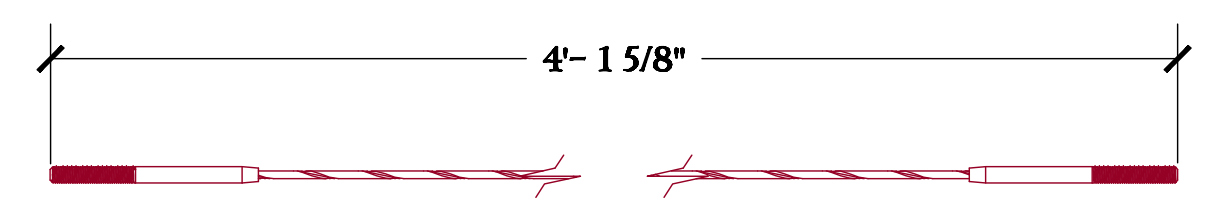
THE 4' X 6' KIT INCLUDES THE FOLLOWING:



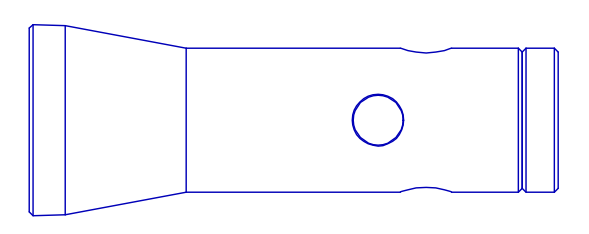
Ø1/8" T-316 S.S. ROD : QTY- 5



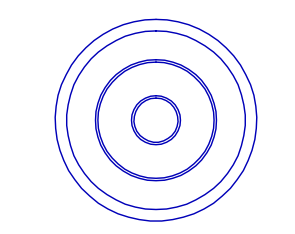
Ø1/8" LONG CABLE W/ SWAGE STUDS : QTY- 5



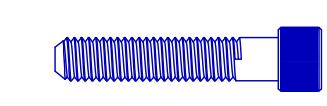
Ø1/8" SHORT CABLE W/ SWAGE STUDS : QTY- 2



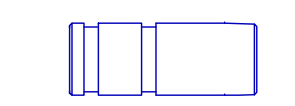
3" STAND OFF BODIES : QTY- 10



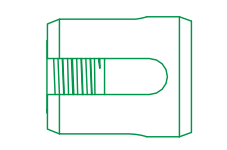
ANTI CRUSH BASE : QTY- 10



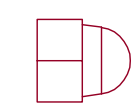
3/8" X 3" S.S. SOCKET HEAD SCREW : QTY- 10



SINGLE EXPANSION ANCHORS : QTY- 10



S.S. CROSS CLAMPS : QTY- 15



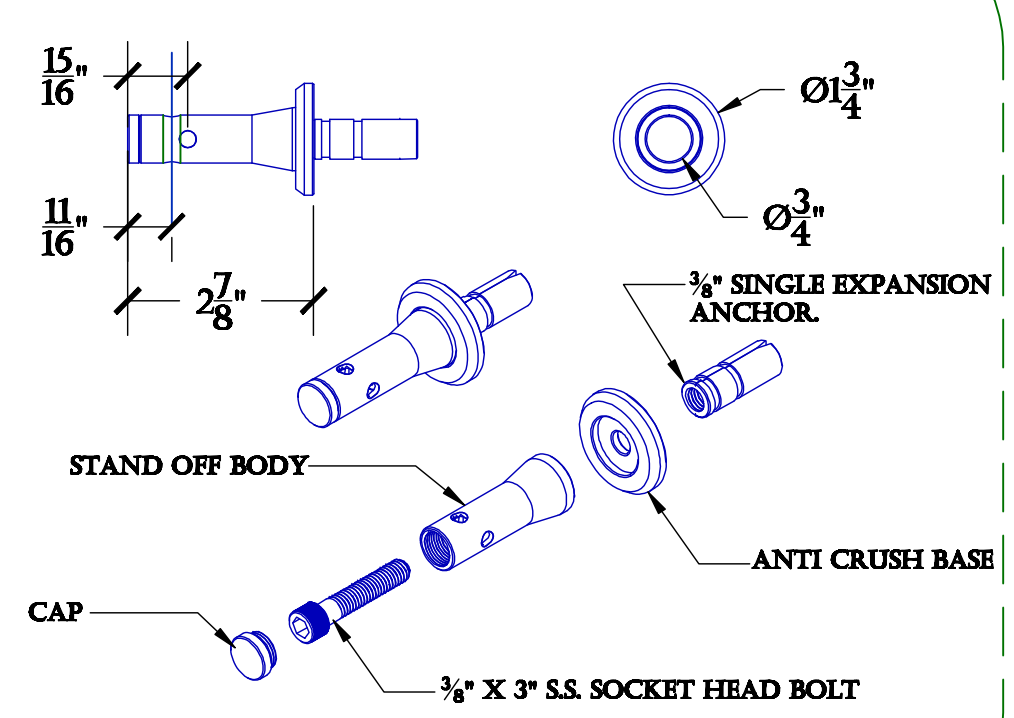
S.S. CAP NUTS : QTY- 14



S.S. JAM NUTS : QTY- 14

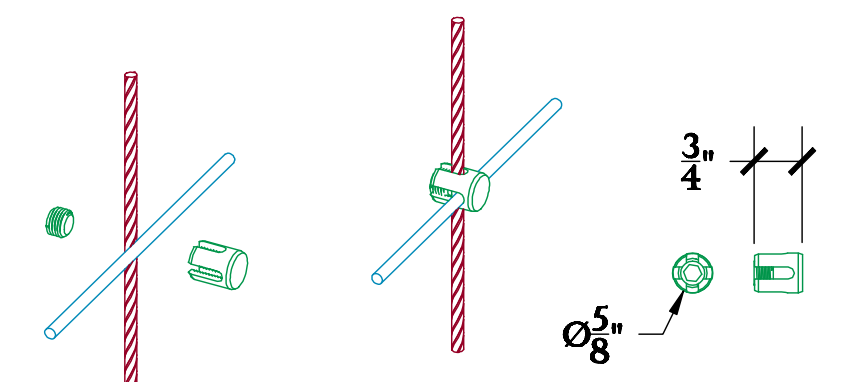


S.S. FLAT WASHERS : QTY- 14



3" STAND OFF DETAIL.

SCALE: 4" = 1'



CROSS CLAMP DETAIL.

SCALE: 4" = 1'

PRODUCT: S.S. CABLE AND ROD TRELLIS SYSTEM.
CONTENT: "STAND OFF" 6'X4' STANDARD SYSTEM DETAILS.
DRAWN BY: KELLER, C.
DATE: 10-01-15
PROPRIETARY AND CONFIDENTIAL: THE INFORMATION CONTAINED IN THIS DRAWING IS THE SOLE PROPERTY OF SECO SOUTH INC. ANY REPRODUCTION IN PART OR AS A WHOLE WITHOUT THE WRITTEN PERMISSION OF SECO SOUTH INC. IS PROHIBITED.
2111 34TH WAY
LARGO, FL 33771
TEL: 727-536-5224
FAX: 727-539-8314
SALES@SECOOUTH.COM

