

DET. 1

DET. 3

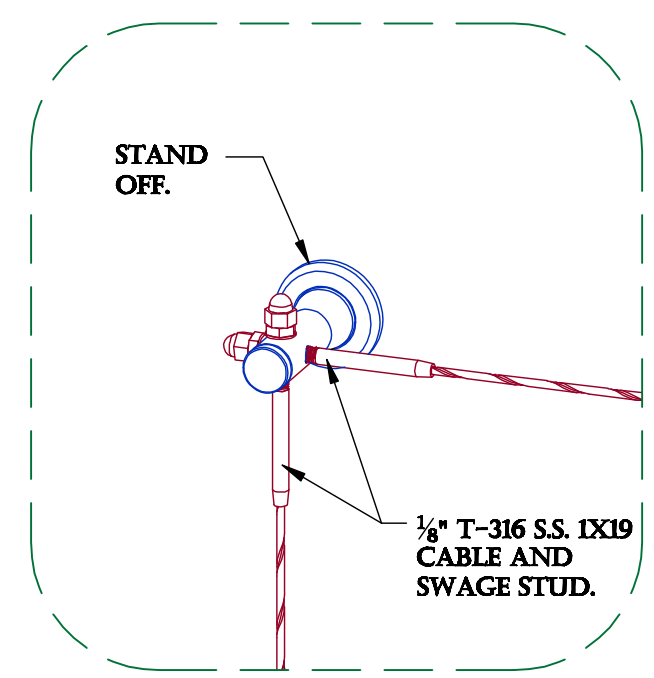
DET. 2

6' X 2' TRELLIS, 1' GRID

SCALE: 2" = 1'

ALL MATERIALS TYPE 316 STAINLESS STEEL ALLOY EXCEPT FOR FASTENERS. THIS KIT IS DESIGNED FOR A BRICK, BLOCK, OR PRECAST WALL ONLY

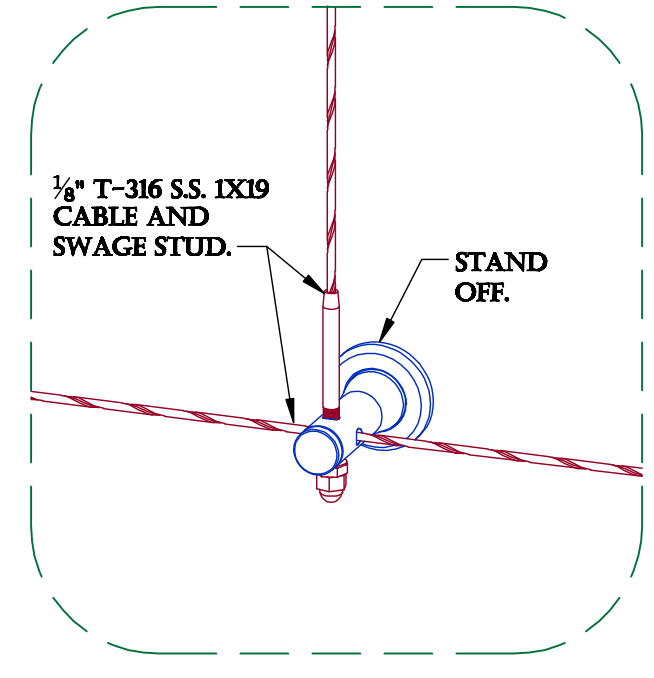
TYPICAL CORNER ATTACHMENT.



MOUNTING DETAIL 1.

SCALE: 4" = 1'

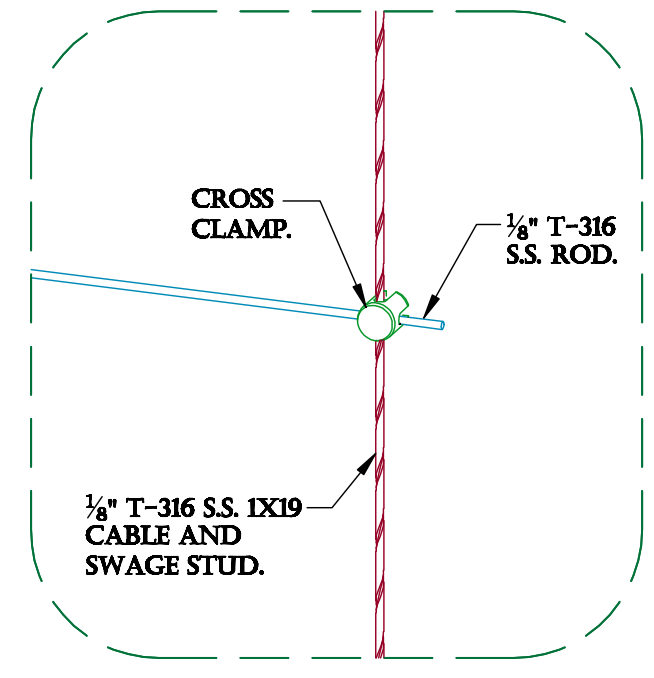
TYPICAL END/ INTERMEDIATE ATTACHMENT.



MOUNTING DETAIL 2.

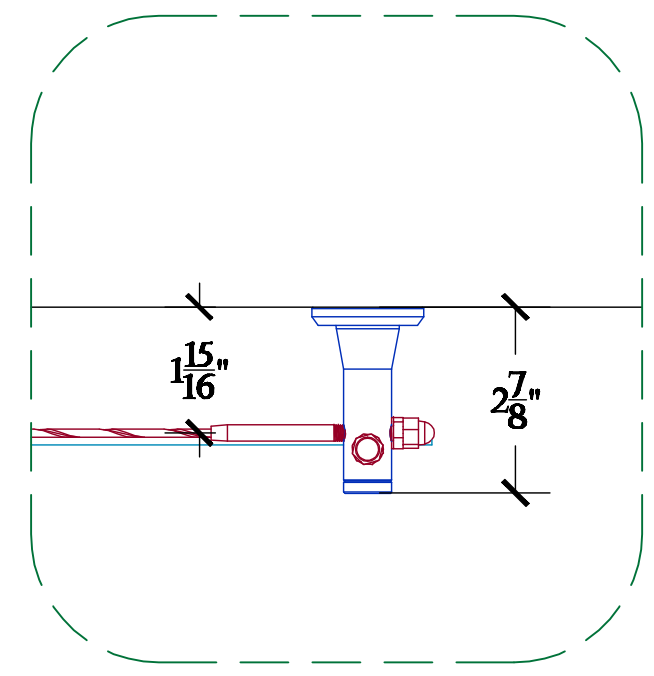
SCALE: 4" = 1'

TYPICAL CABLE AND ROD INTERSECTION ATTACHMENT.



MOUNTING DETAIL 3.

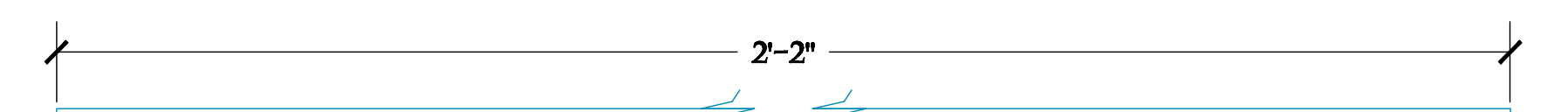
SCALE: 4" = 1'



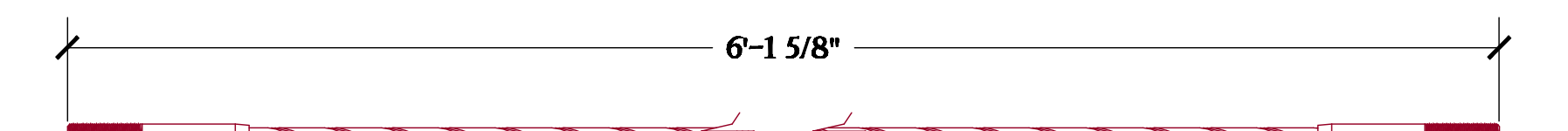
TOP VIEW DETAIL.

SCALE: 4" = 1'

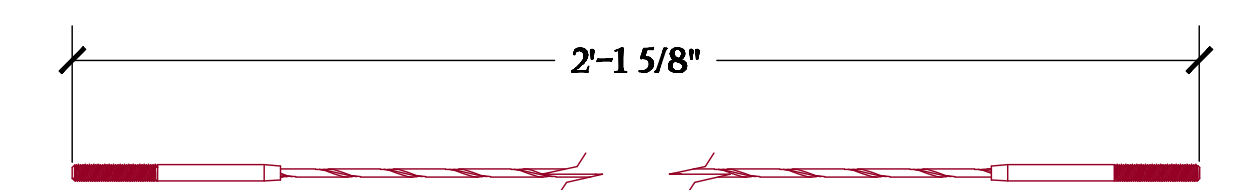
THE 2' X 6' KIT INCLUDES THE FOLLOWING:



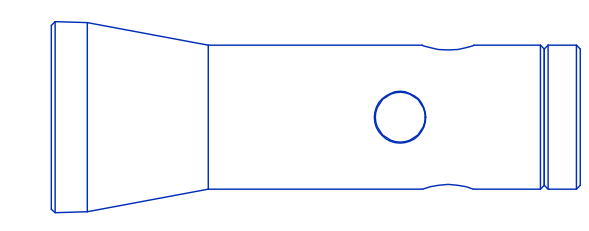
Ø1/8" T-316 S.S. ROD : QTY- 5



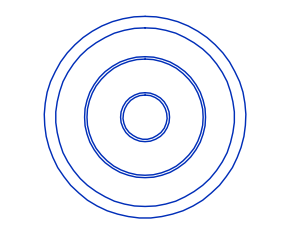
Ø1/8" LONG CABLE W/ SWAGE STUDS : QTY- 3



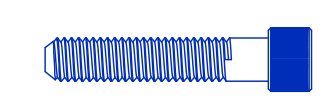
Ø1/8" SHORT CABLE W/ SWAGE STUDS : QTY- 2



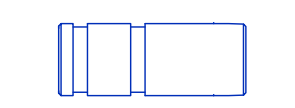
3" STAND OFF BODIES : QTY- 6



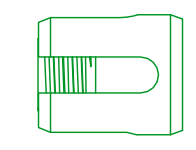
ANTI CRUSH BASE : QTY- 6



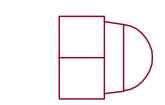
3/8" X 3" S.S. SOCKET HEAD SCREW : QTY- 6



SINGLE EXPANSION ANCHORS : QTY- 6



S.S. CROSS CLAMPS : QTY- 15



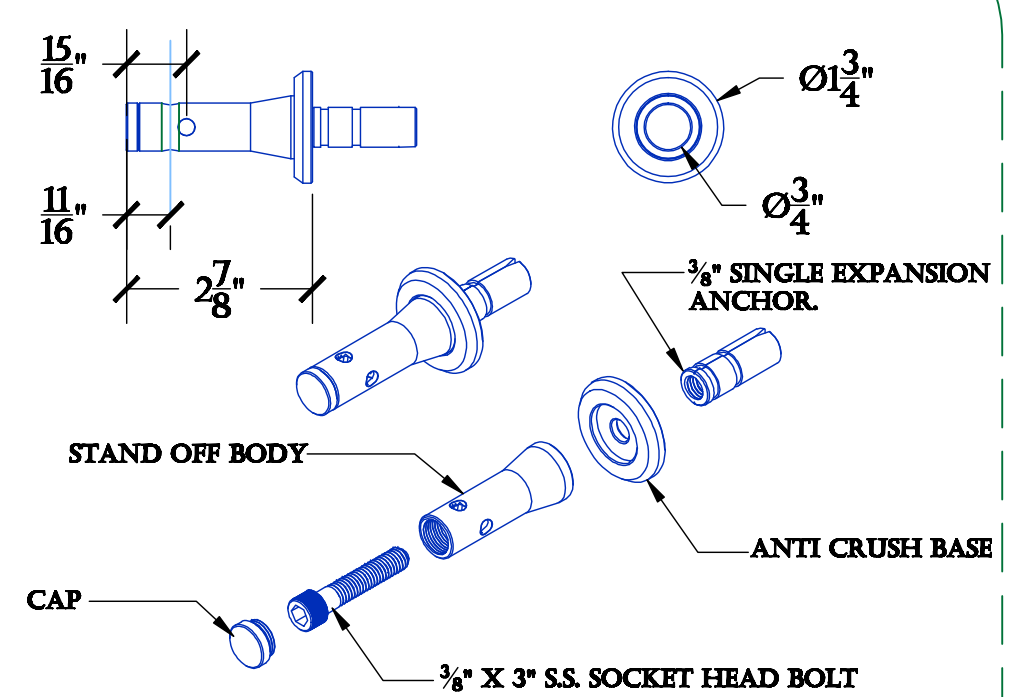
S.S. CAP NUTS : QTY- 10



S.S. JAM NUTS : QTY- 10

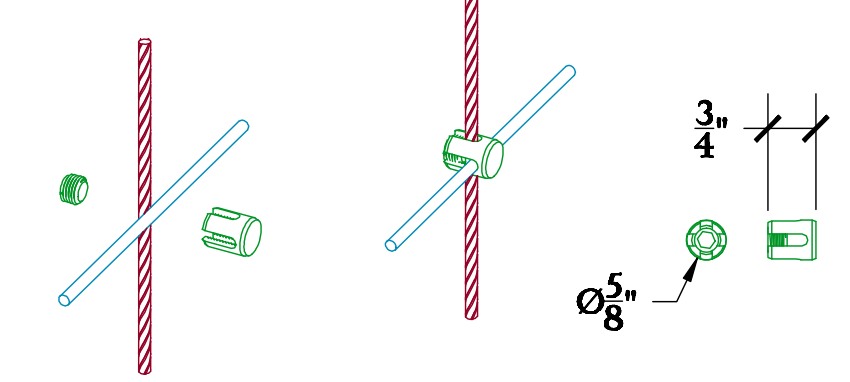


S.S. FLAT WASHERS : QTY- 10



3" STAND OFF DETAIL.

SCALE: 4" = 1'



CROSS CLAMP DETAIL.

SCALE: 4" = 1'

PRODUCT: S.S. CABLE AND ROD TRELLIS SYSTEM.
 CONTENT: "STAND OFF" 6'X2' STANDARD SYSTEM DETAILS.
 DRAWN BY: KELLER, C.
 DATE: 10-01-15
 PROPRIETARY AND CONFIDENTIAL: THE INFORMATION CONTAINED IN THIS DRAWING IS THE SOLE PROPERTY OF SECO SOUTH INC. ANY REPRODUCTION IN PART OR AS A WHOLE WITHOUT THE WRITTEN PERMISSION OF SECO SOUTH INC. IS PROHIBITED.
 2111 34TH WAY
 LARGO, FL 33771
 TEL: 727-536-1924
 FAX: 727-536-8314
 SALES@SECOSSOUTH.COM

