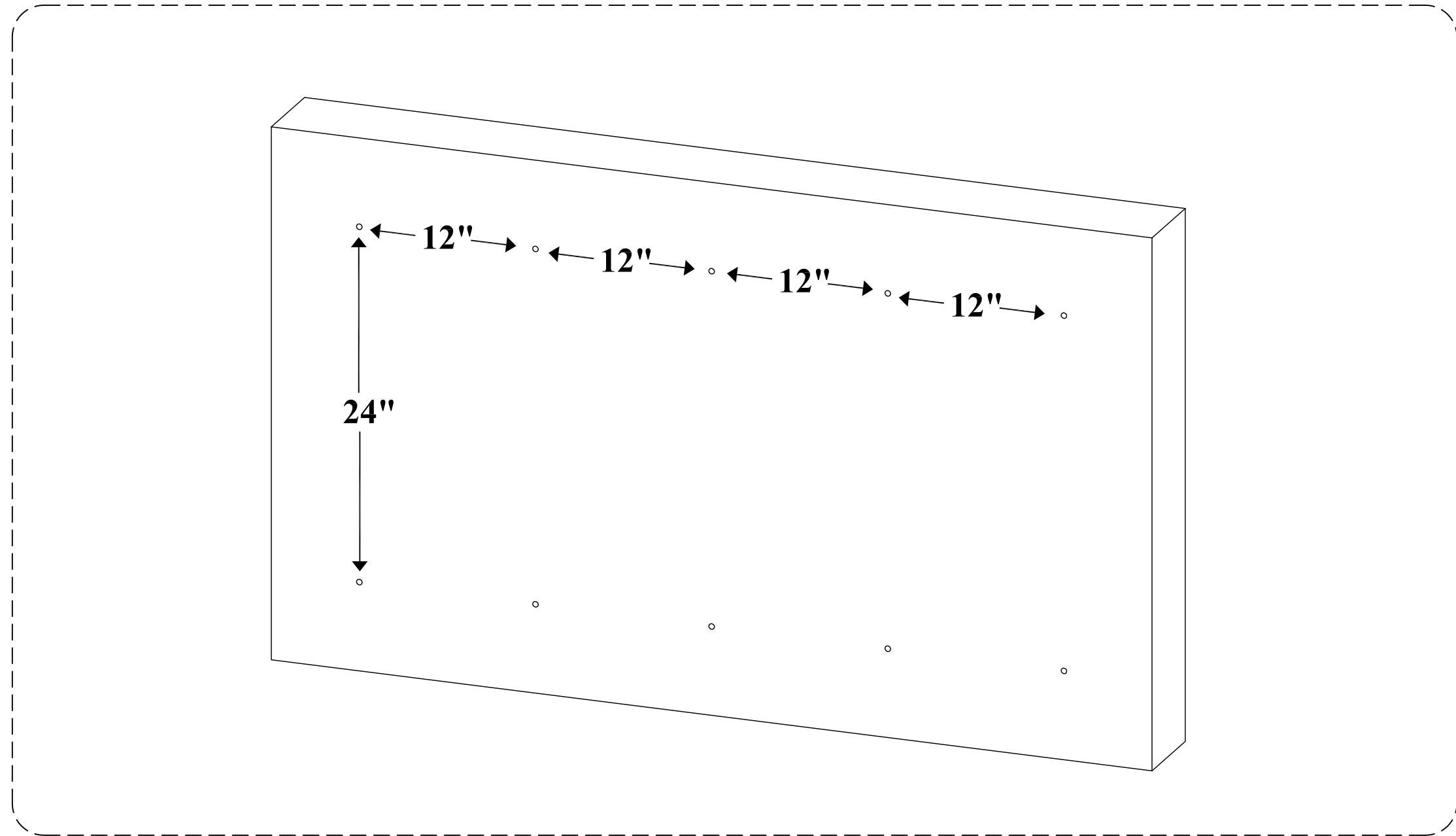


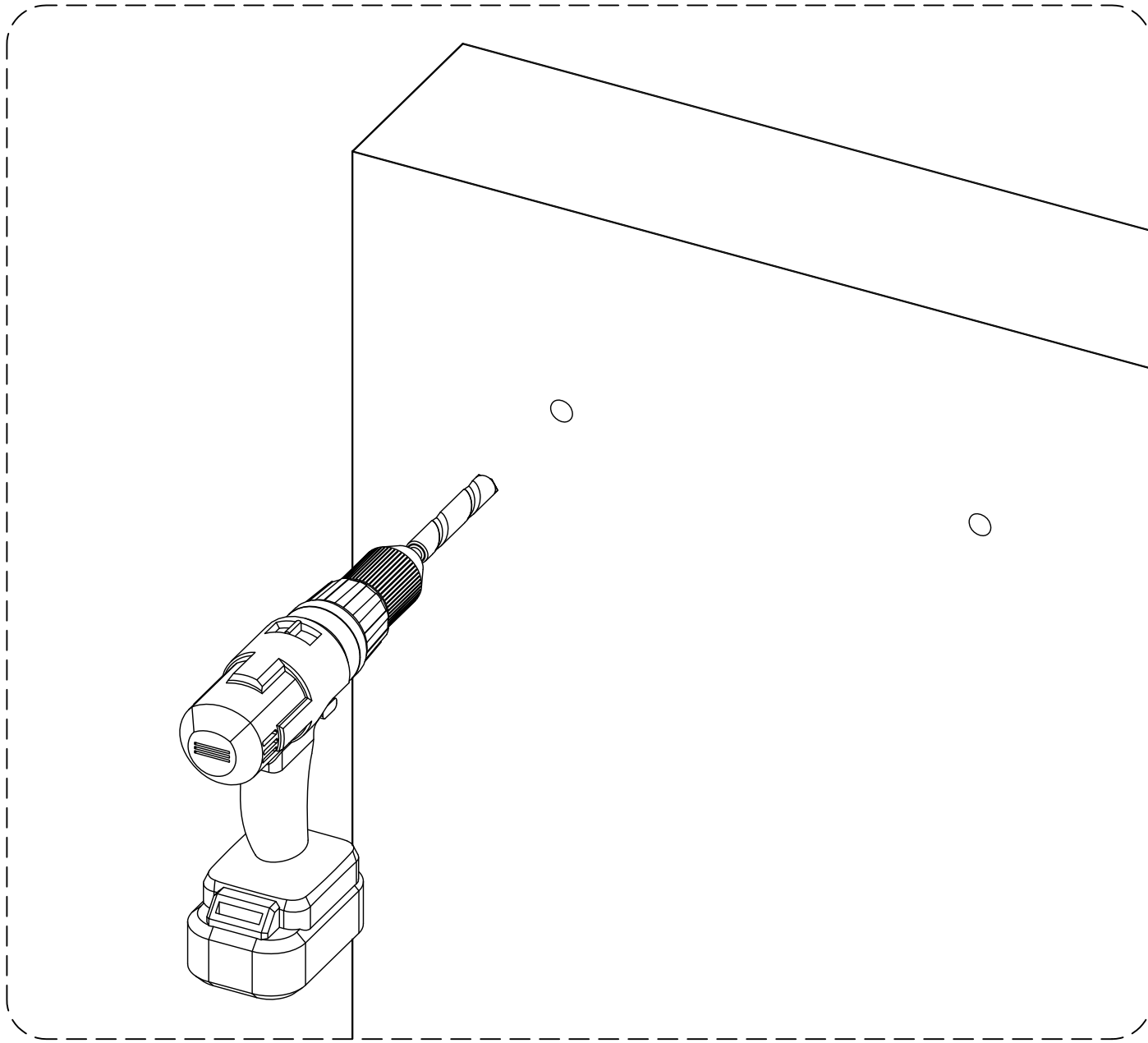
**STEP #1.**  
**LAYOUT TRELLIS GRID PATTERN ON WALL AND**  
**MARK THE STAND OFF LOCATIONS DEPENDING ON**  
**WHAT KIT WAS PURCHASED. (FIG.1).**  
**\*NOTE: FOR ILLUSTRATION PURPOSES A 2' X 4'**  
**SYSTEM IS SHOWN.**



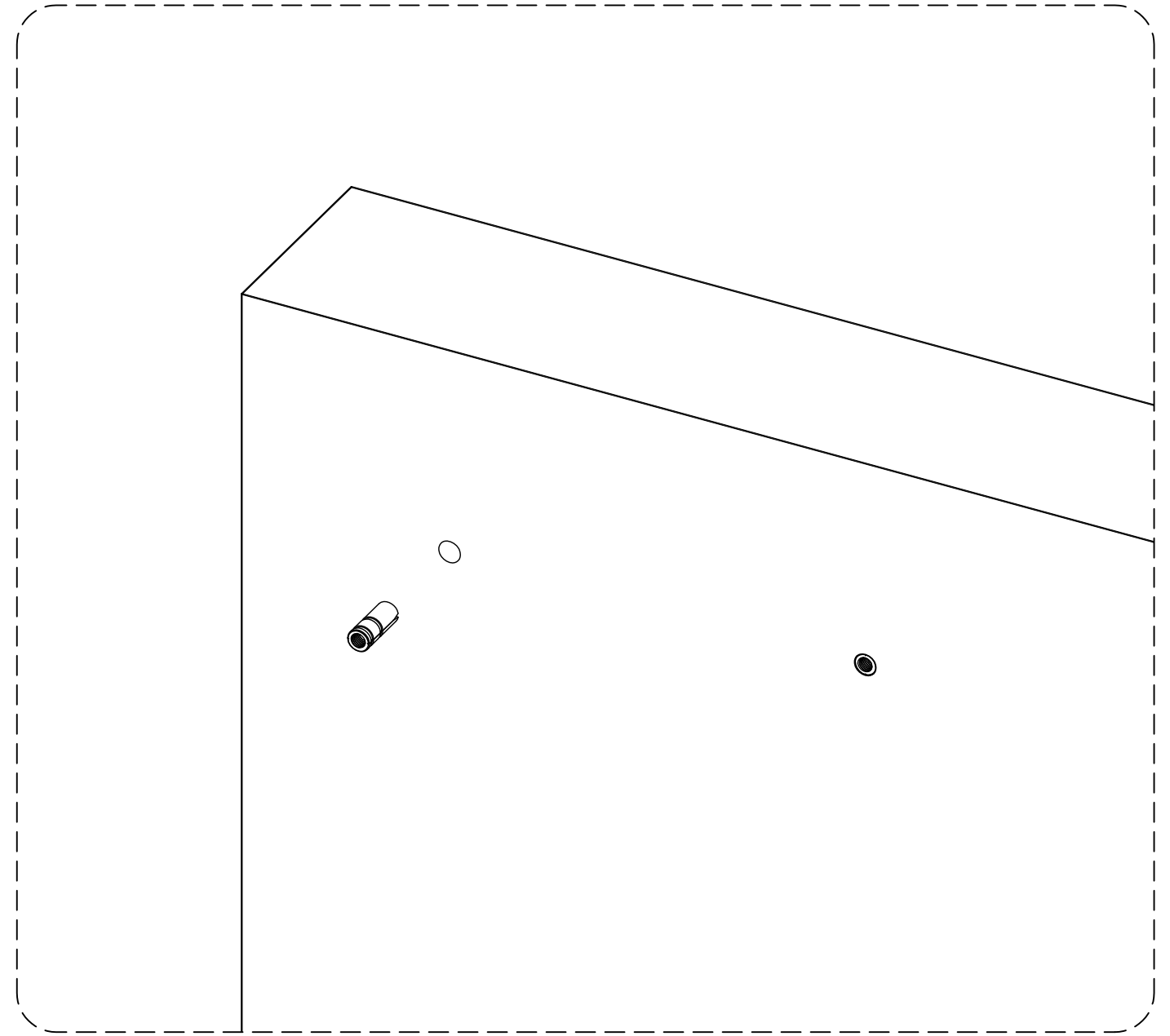
**FIG. 1.**

**STEP #2:**  
**USING THE SUPPLIED  $\text{Ø}5/8$ " MASONRY BIT DRILL A  $1\ 3/4$ "**  
**DEEP HOLE IN THE LOCATION MARKED DURING STEP**  
**#1 (FIG.2) AFTER CLEANING OUT ANY DEBRIS FROM**  
**THE HOLES INSERT A SINGLE EXPANSION ANCHOR**  
**INTO EACH HOLE. (FIG.3)**

**\*NOTE: BE SURE TO KEEP THE FASTENERS A**  
**MINIMUM OF 2" FROM AN UNSUPPORTED EDGE.**

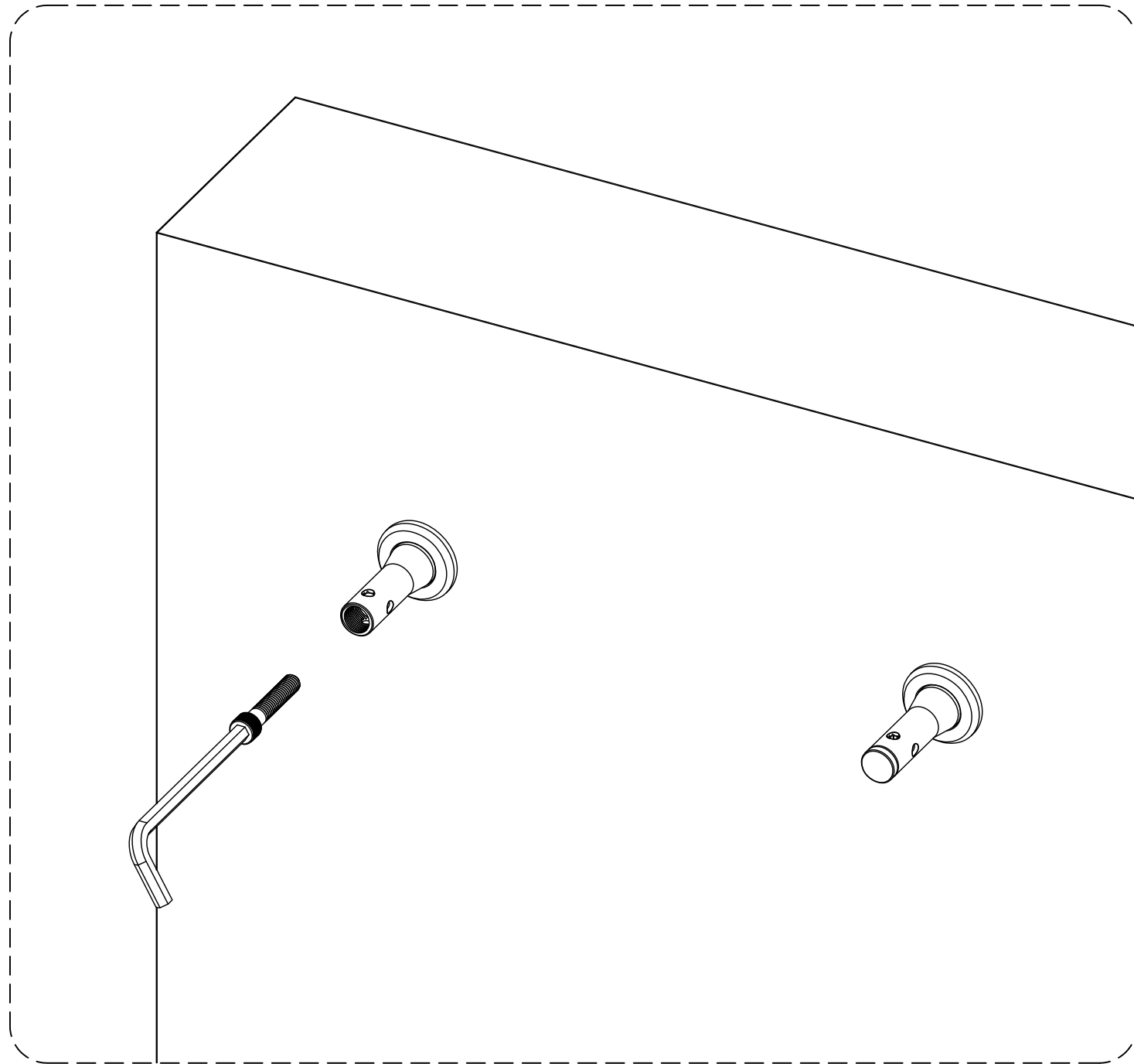


**FIG. 2.**

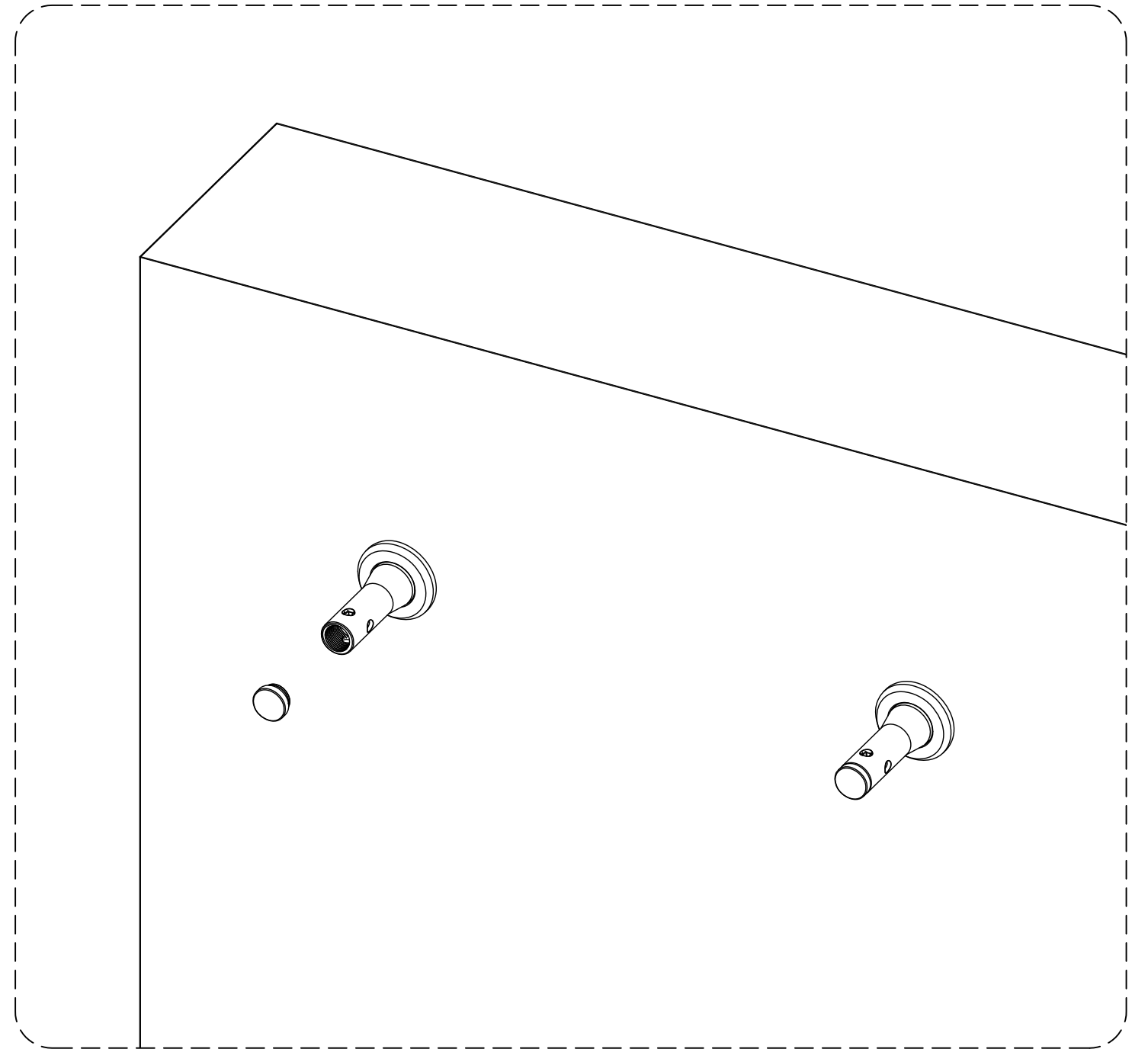


**FIG. 3.**

**STEP #3.**  
**ATTACH THE STAND OFF AND THE ANTI CRUSH BASE TO**  
**THE STRUCTURE USING THE SUPPLIED  $\frac{3}{8}$ " X 3" SOCKET**  
**HEAD SCREW. (FIG.4) AFTER SECURING THE STAND OFF**  
**TO THE STRUCTURE SCREW THE DECORATIVE CAP**  
**BACK ONTO THE STAND OFF. (FIG.5)**

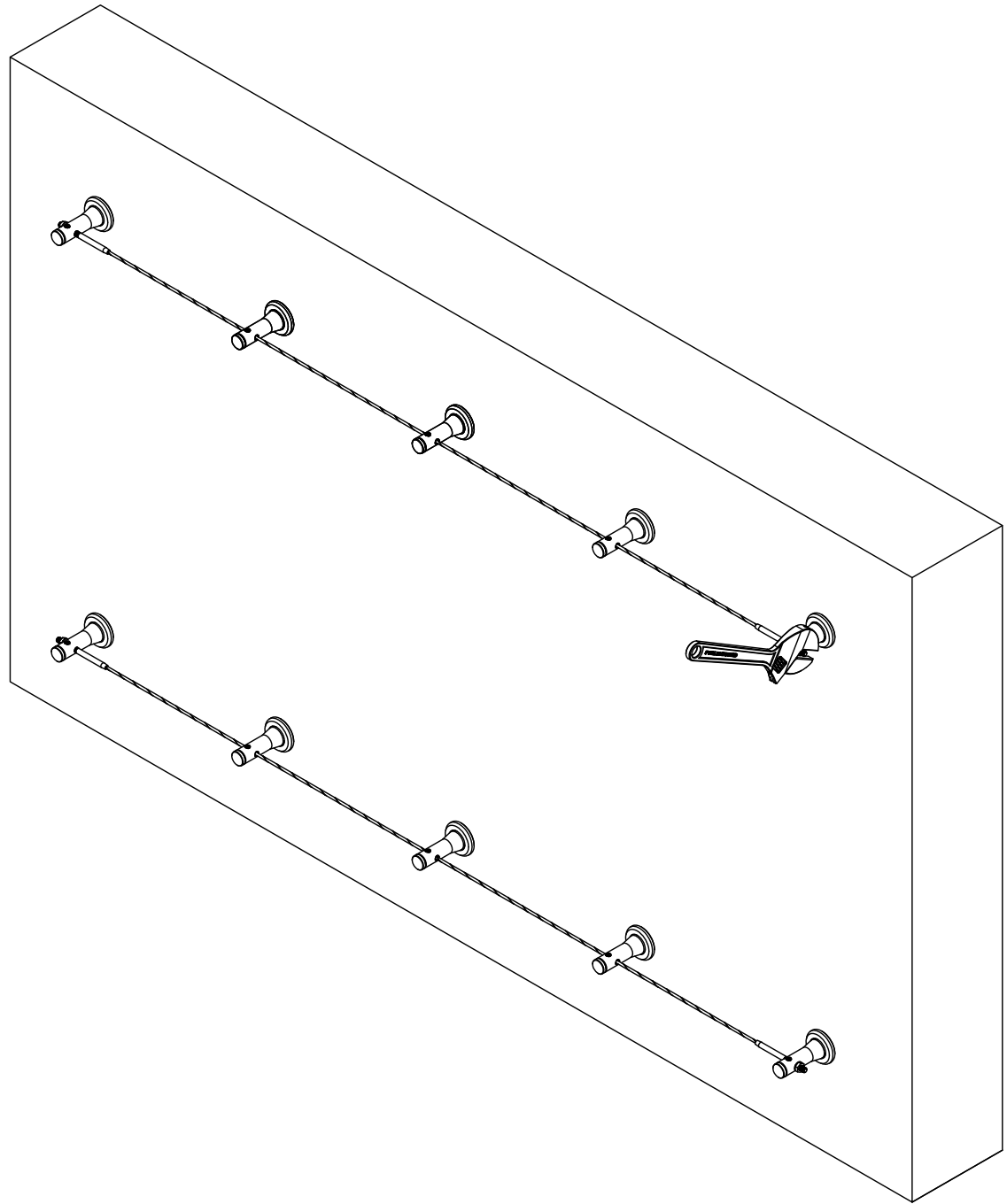


**FIG. 4.**

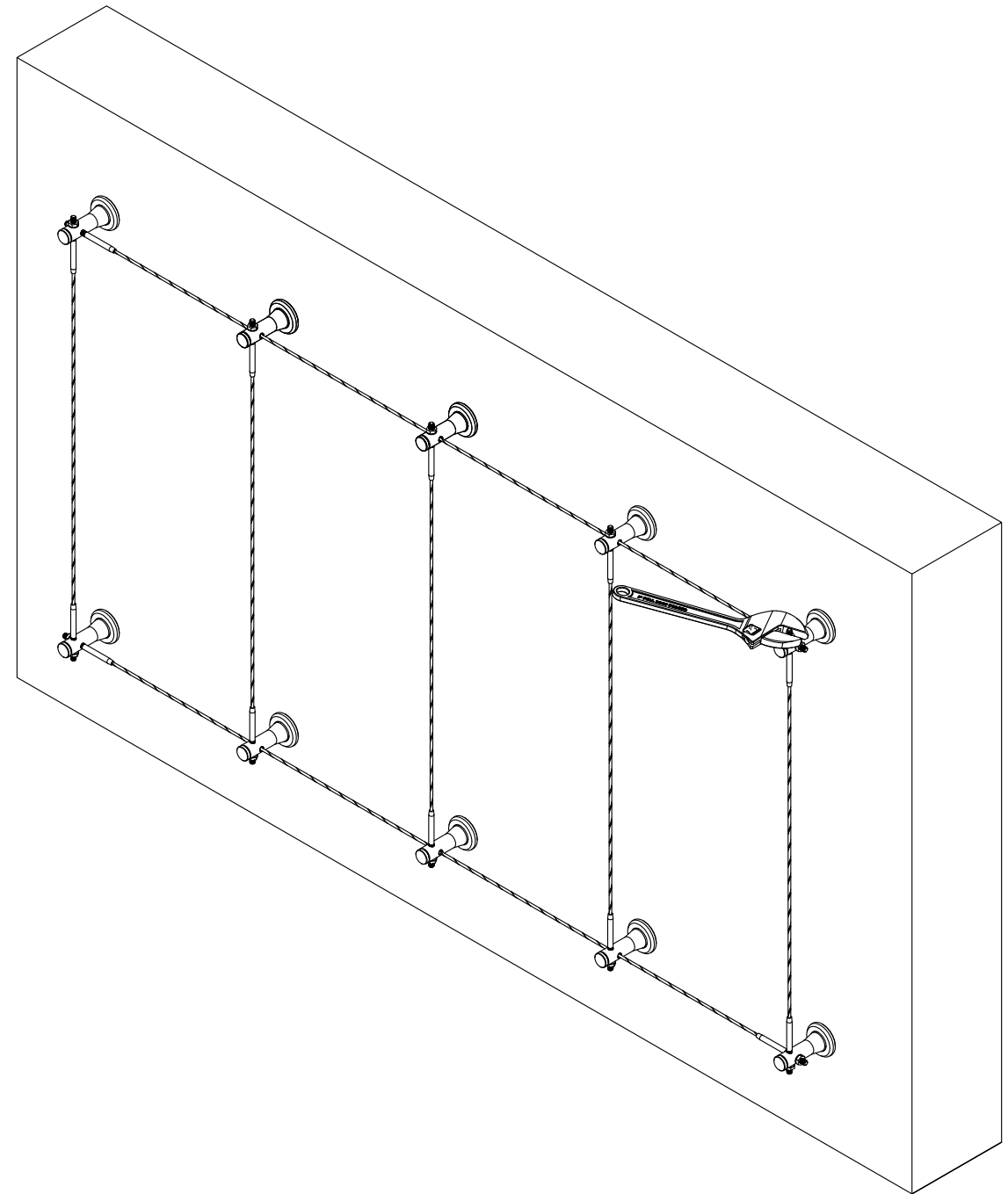


**FIG. 5.**

**STEP #4:**  
**NOW INSTALL THE HORIZONTAL CABLES TOP AND BOTTOM USING THE SUPPLIED 1/4" WASHER, AND A 1/4" JAM NUT ON THE END OF EACH SWAGE STUD APPLYING TENSION TO THE CABLE BY TIGHTENING THE JAM NUT. (FIG. 6) THEN, INSTALL THE VERTICAL CABLES USING A 1/4" WASHER, AND A 1/4" JAM NUT USING THE 1/4" JAM NUT TO TENSION THE CABLES. (FIG.7).**

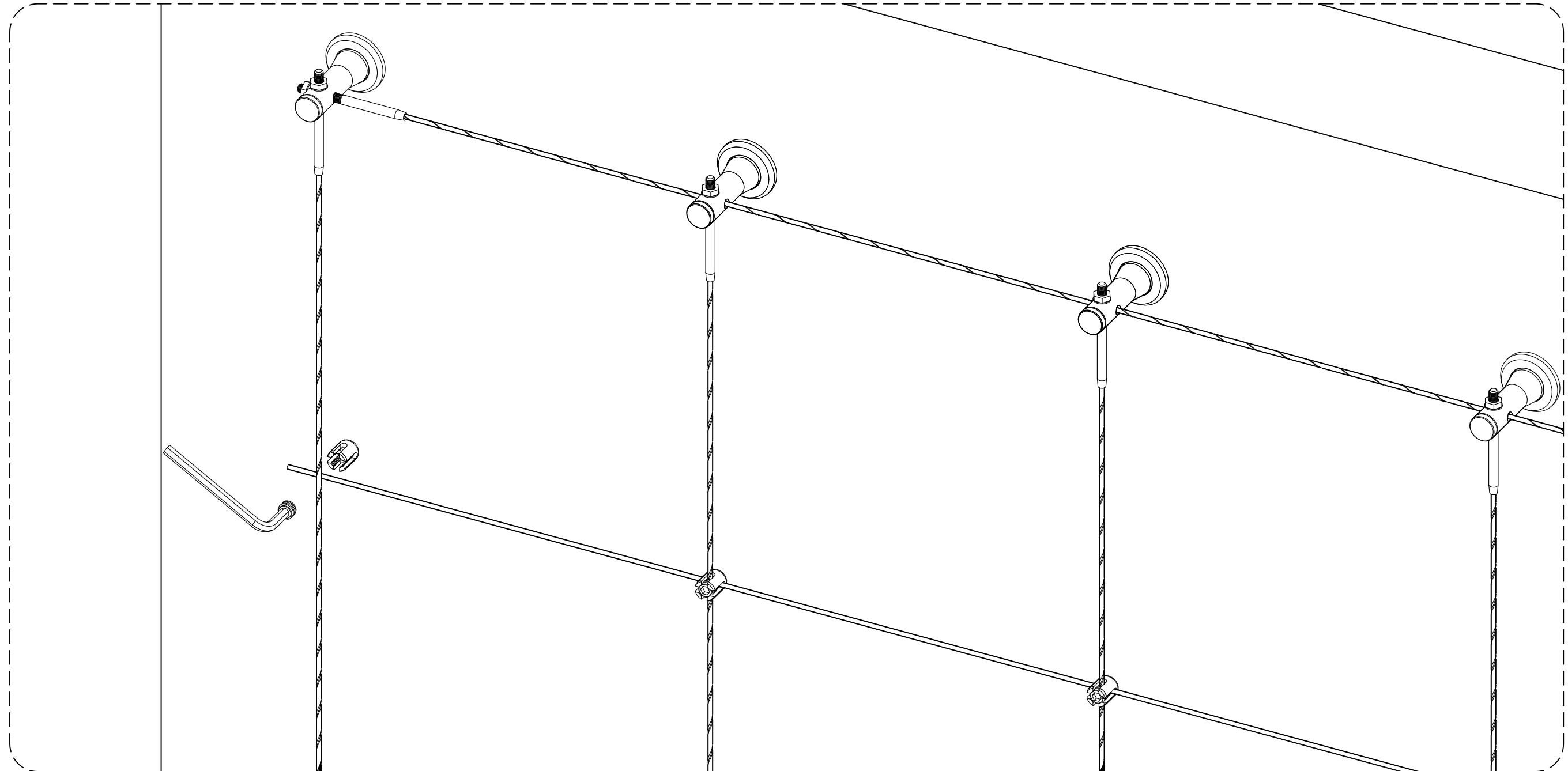


**FIG. 6.**



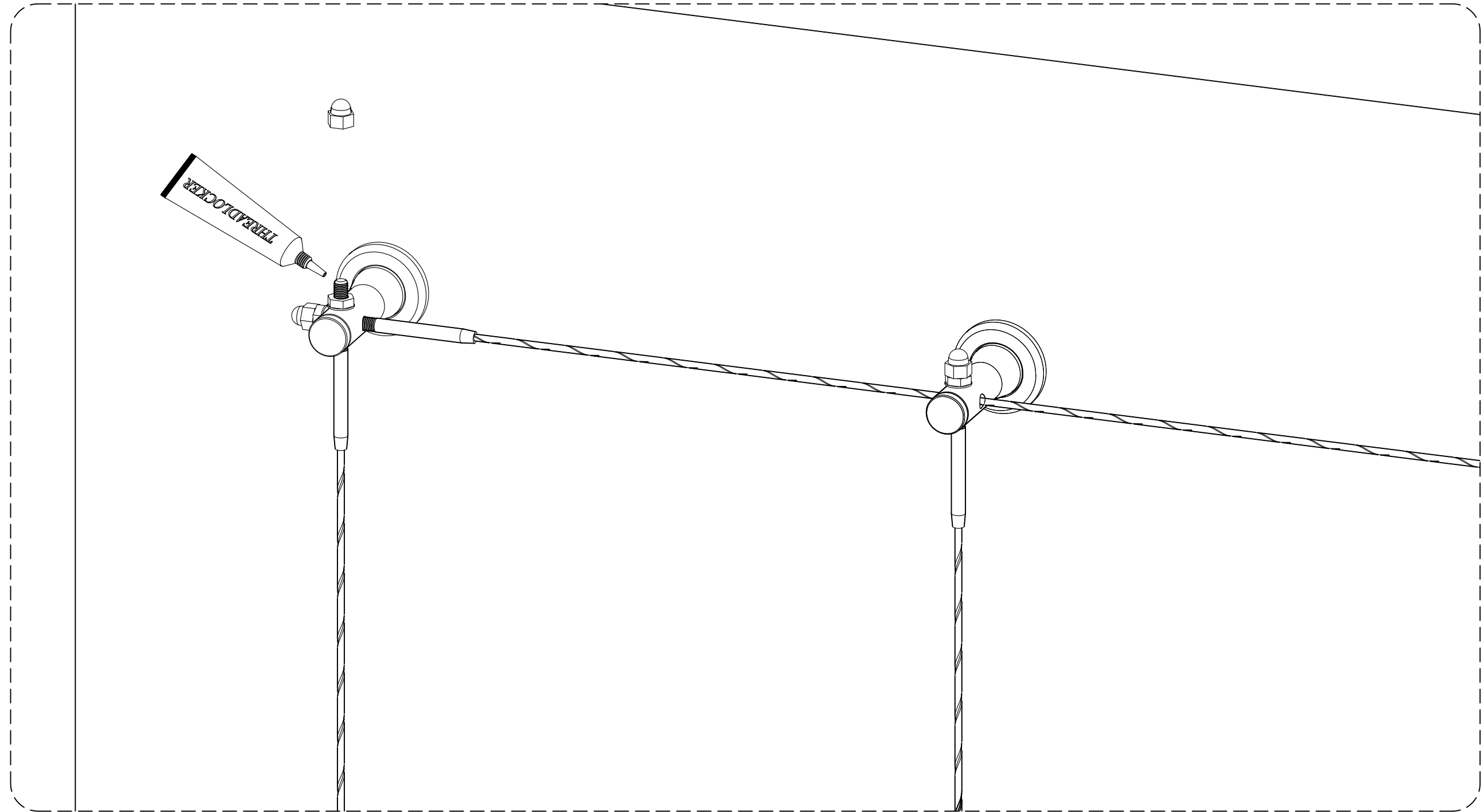
**FIG. 7.**

**STEP #5:**  
**PLACE A HORIZONTAL  $\text{Ø}\frac{1}{8}$ " ROD EVERY 12" BETWEEN**  
**THE TOP CABLE AND THE BOTTOM CABLE THEN**  
**SECURE IN PLACE WITH A CROSS CLAMP AT EVERY**  
**INTERSECTION THE ROD MAKES WITH A VERTICAL**  
**CABLE. (FIG.8)**



**FIG. 8.**

**STEP #6:**  
**AFTER ALL OF THE CABLES AND RODS ARE**  
**INSTALLED AND TENSIONED GO BACK AND INSTALL A**  
**CAP NUT ON THE END OF EACH SWAGE STUD END**  
**USING THREADLOCKER. (FIG.9)**



**FIG. 9.**