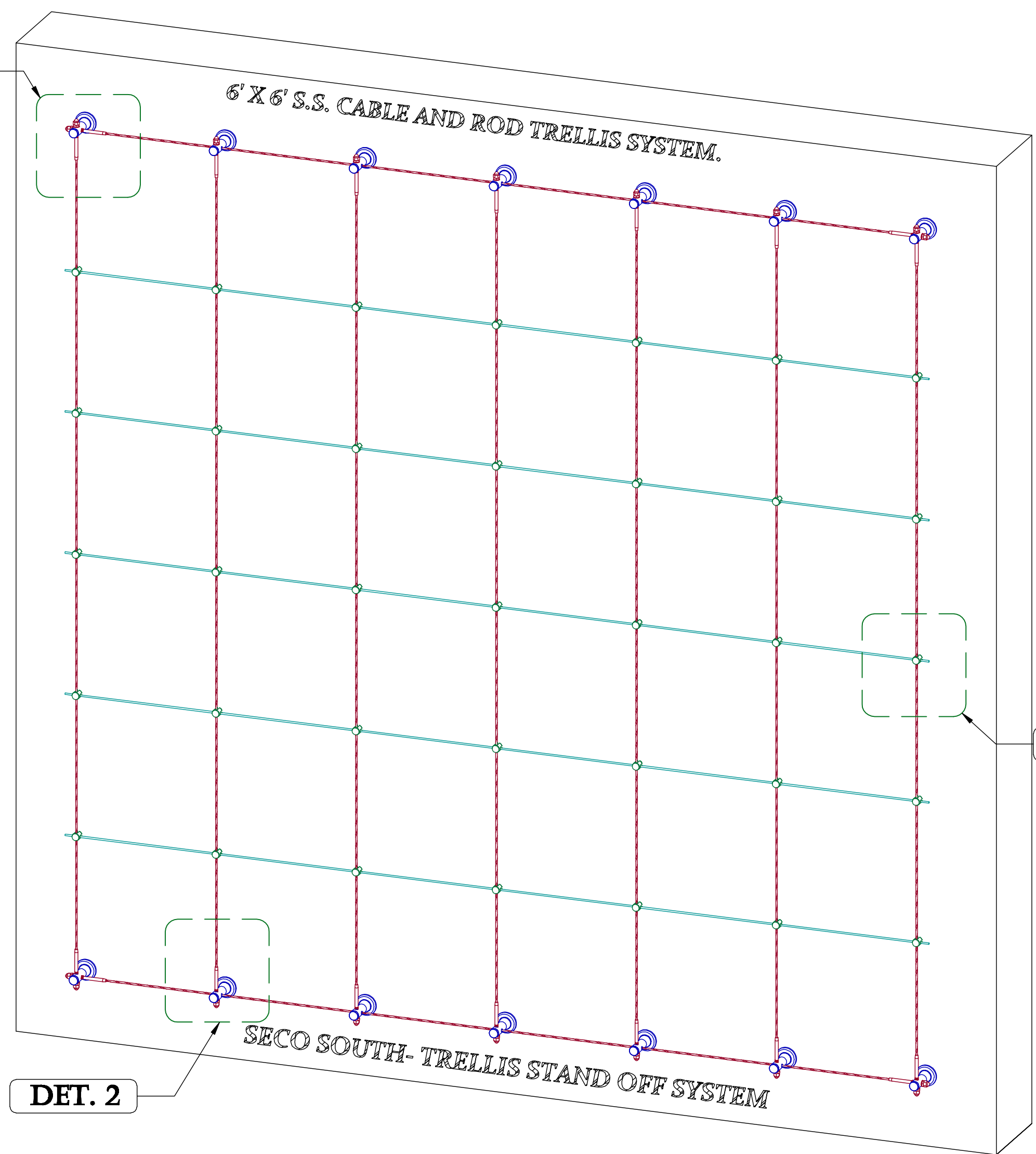


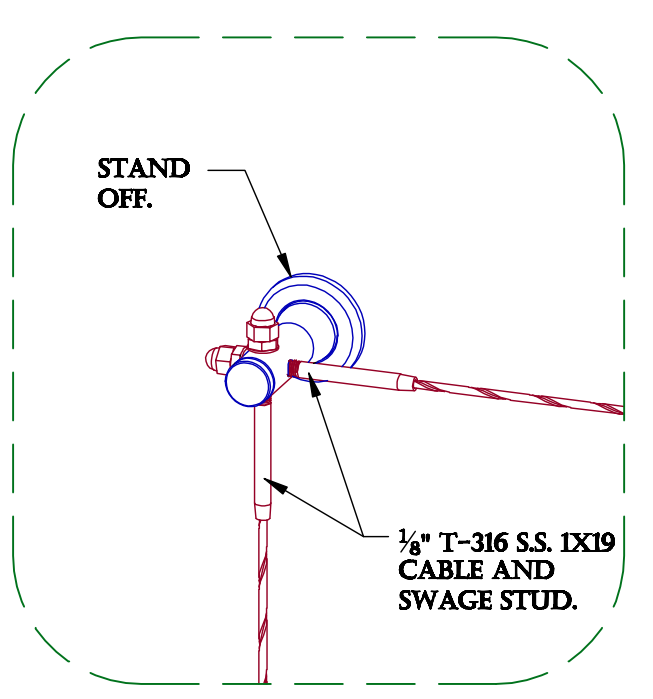
ALL MATERIALS TYPE 316 STAINLESS STEEL ALLOY EXCEPT FOR FASTENERS.
THIS KIT IS DESIGNED FOR A BRICK, BLOCK, OR PRECAST WALL ONLY



6' X 6' TRELLIS, 1' GRID

SCALE: 1 1/2" = 1'

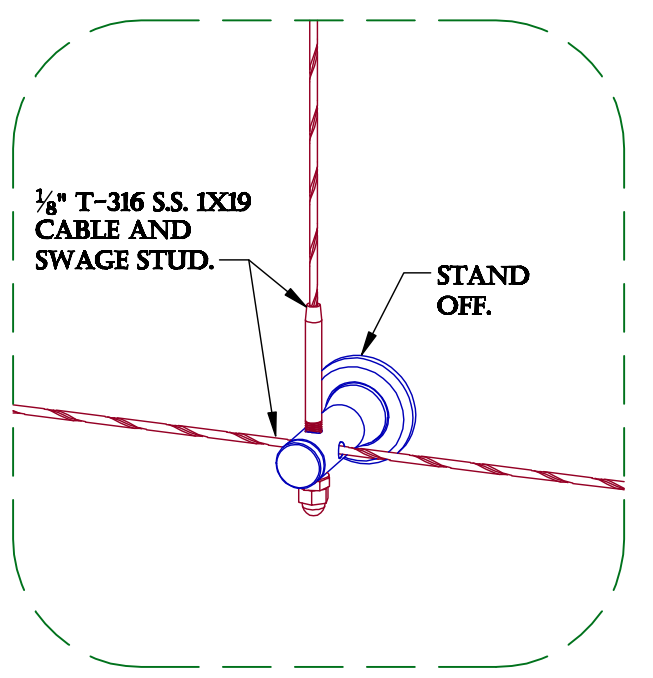
TYPICAL CORNER ATTACHMENT.



MOUNTING DETAIL 1.

SCALE: 4" = 1'

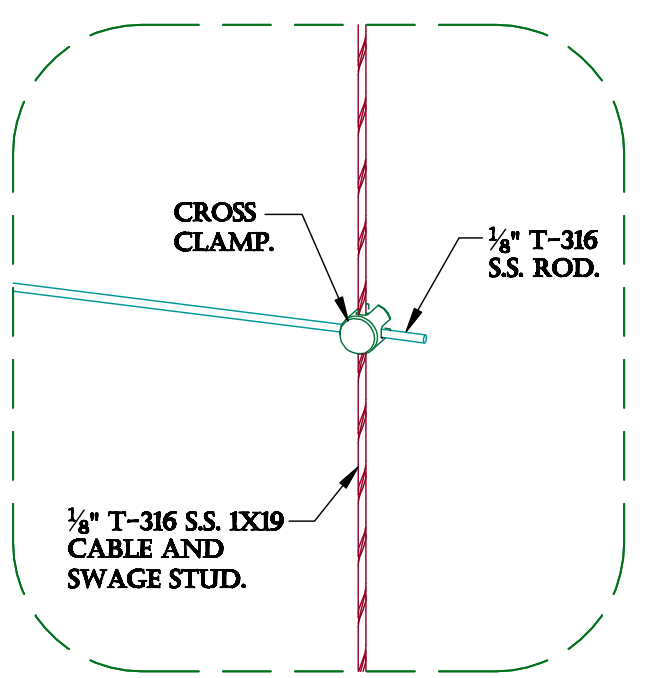
TYPICAL END/ INTERMEDIATE ATTACHMENT.



MOUNTING DETAIL 2.

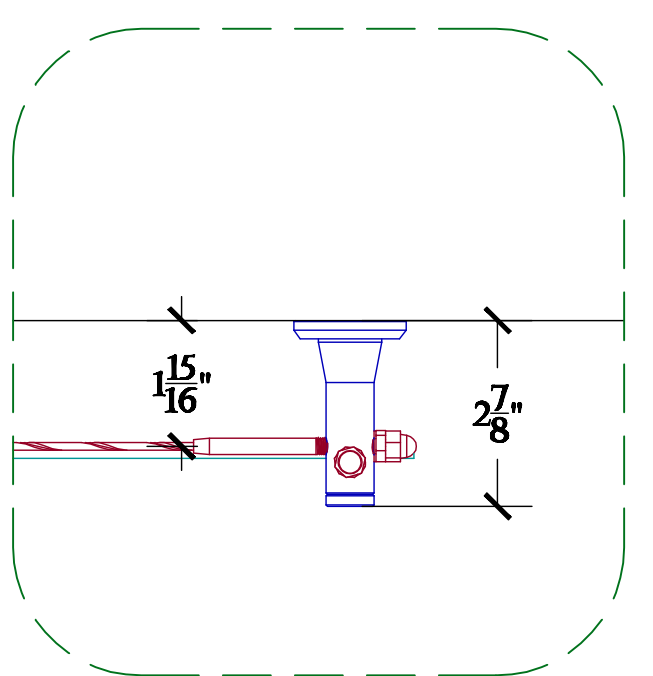
SCALE: 4" = 1'

TYPICAL CABLE AND ROD INTERSECTION ATTACHMENT.



MOUNTING DETAIL 3.

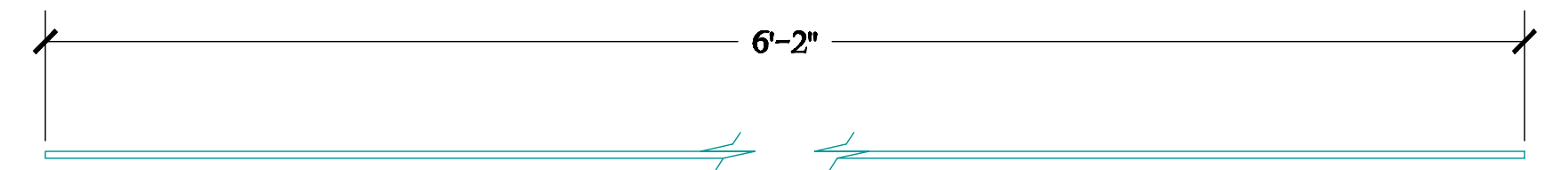
SCALE: 4" = 1'



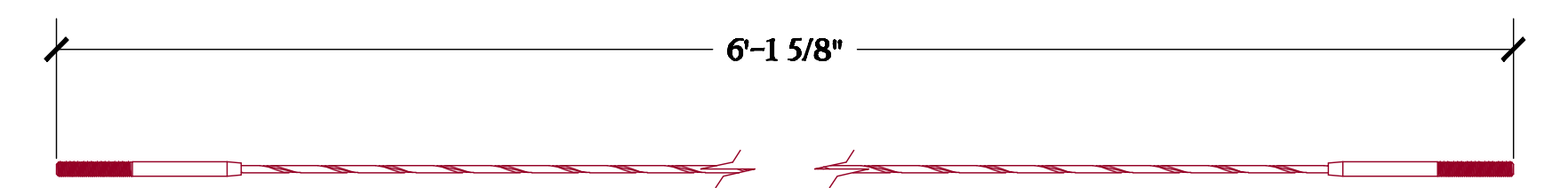
TOP VIEW DETAIL.

SCALE: 4" = 1'

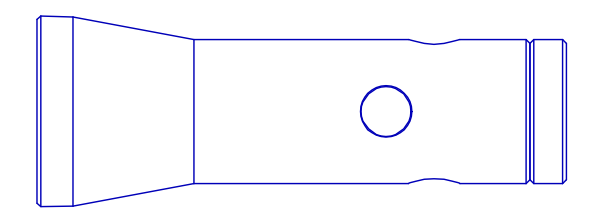
THE 6' X 6' KIT INCLUDES THE FOLLOWING:



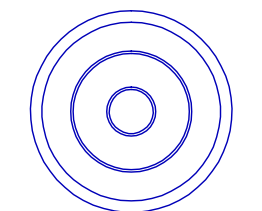
Ø 1/8" T-316 S.S. ROD : QTY- 5



Ø 1/8" CABLE W/ SWAGE STUDS : QTY- 9



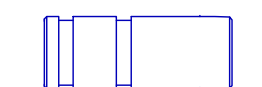
3" STAND OFF BODIES : QTY- 14



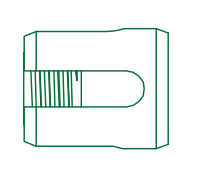
ANTI CRUSH BASE : QTY- 14



3/8" X 3" S.S. SOCKET HEAD SCREW : QTY- 14



SINGLE EXPANSION ANCHORS : QTY- 14



S.S. CROSS CLAMPS : QTY- 25



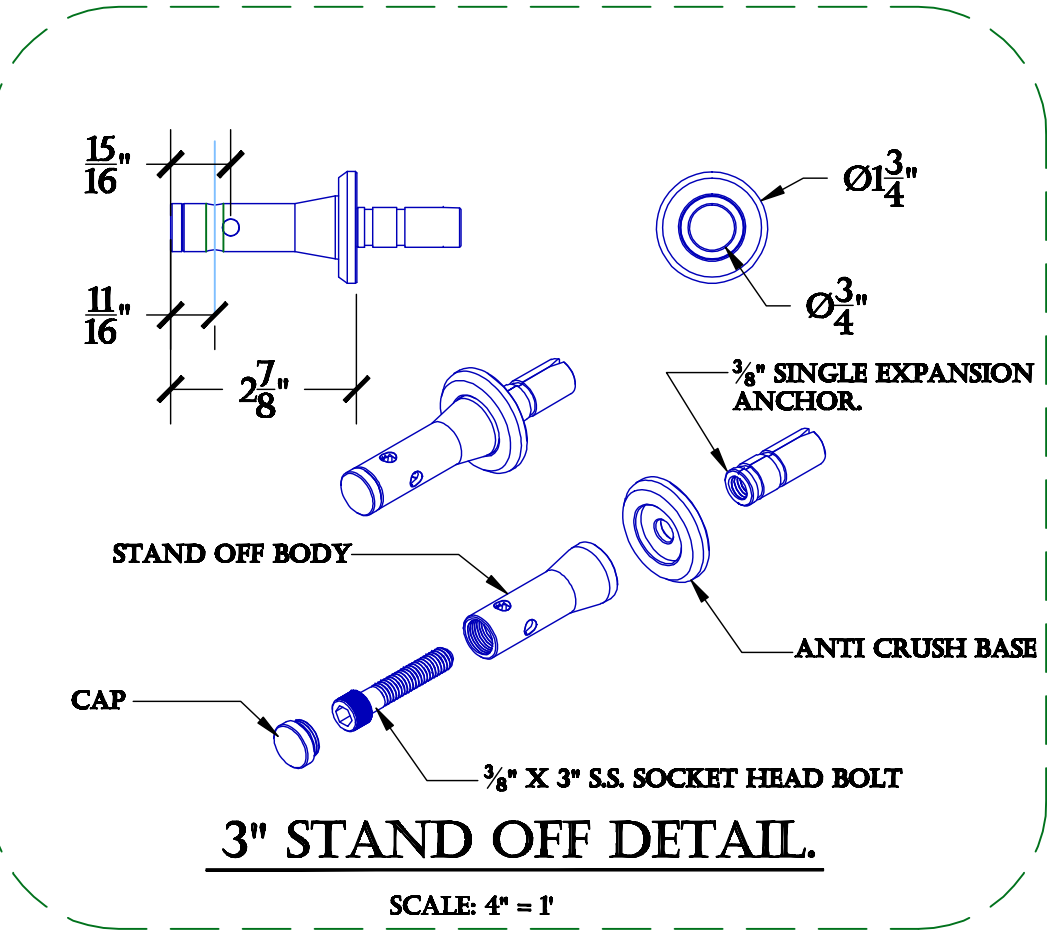
S.S. CAP NUTS : QTY- 18



S.S. JAM NUTS : QTY- 18

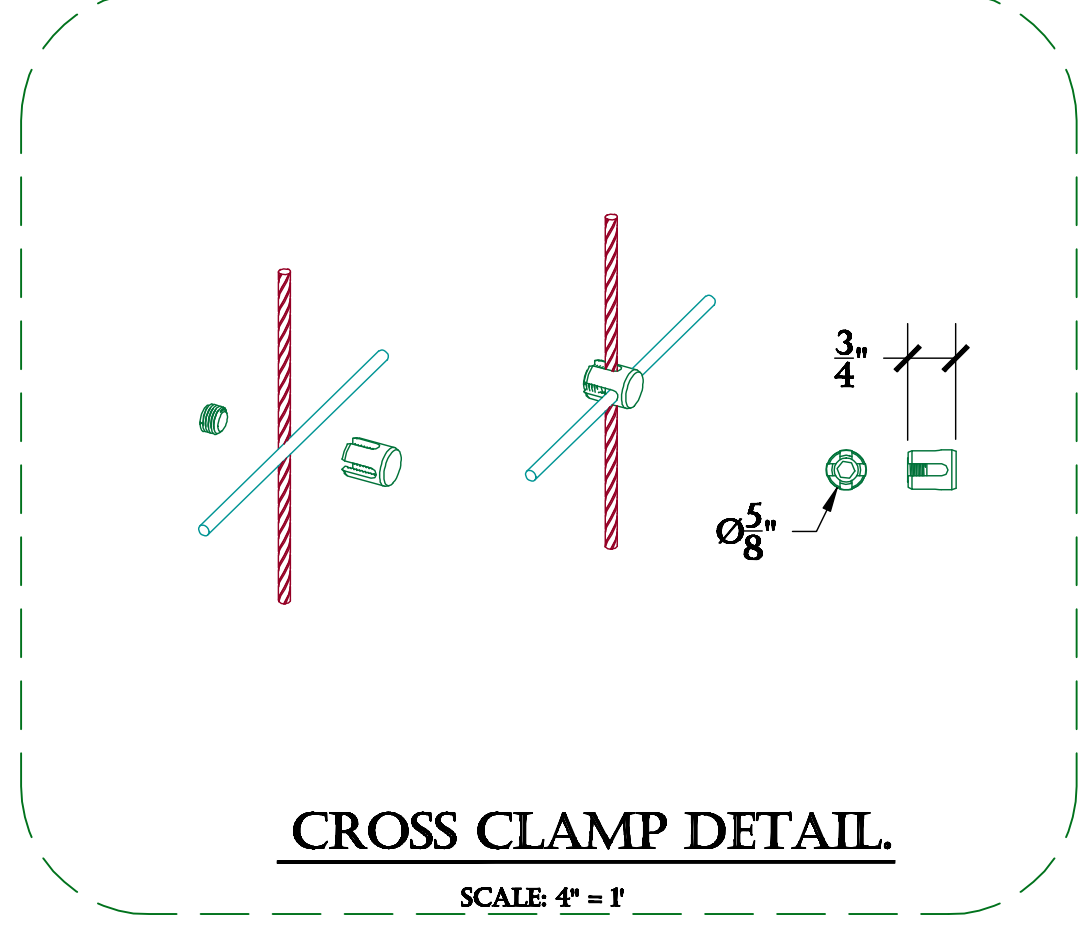


S.S. FLAT WASHERS : QTY- 18



3" STAND OFF DETAIL.

SCALE: 4" = 1'



CROSS CLAMP DETAIL.

SCALE: 4" = 1'

PRODUCT: S.S. CABLE AND ROD TRELLIS SYSTEM.
CONTENT: "STAND OFF " 6'X6' STANDARD SYSTEM DETAILS.
DRAWN BY: KELLER, C.
DATE: 10-01-13
PROPRIETARY AND CONFIDENTIAL: THE INFORMATION CONTAINED IN THIS DRAWING IS THE SOLE PROPERTY OF SECO SOUTH INC. ANY REPRODUCTION IN PART OR AS A WHOLE WITHOUT THE WRITTEN PERMISSION OF SECO SOUTH INC. IS PROHIBITED.
2111 34TH WAY
LARGO, FL 33771
PH: 727-536-1924
FAX: 727-539-8314
SALES@SECOOUTH.COM

