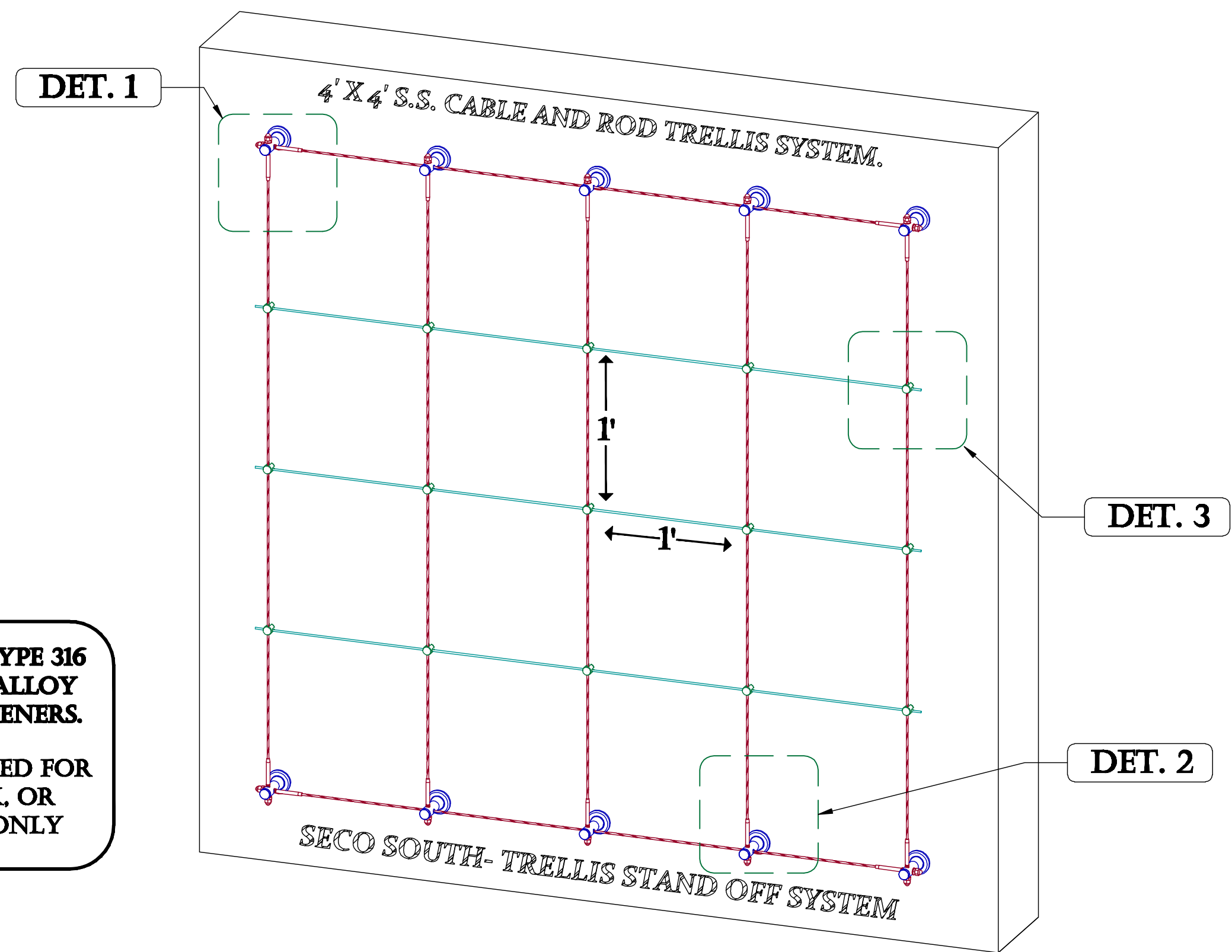


ALL MATERIALS TYPE 316 STAINLESS STEEL ALLOY EXCEPT FOR FASTENERS.

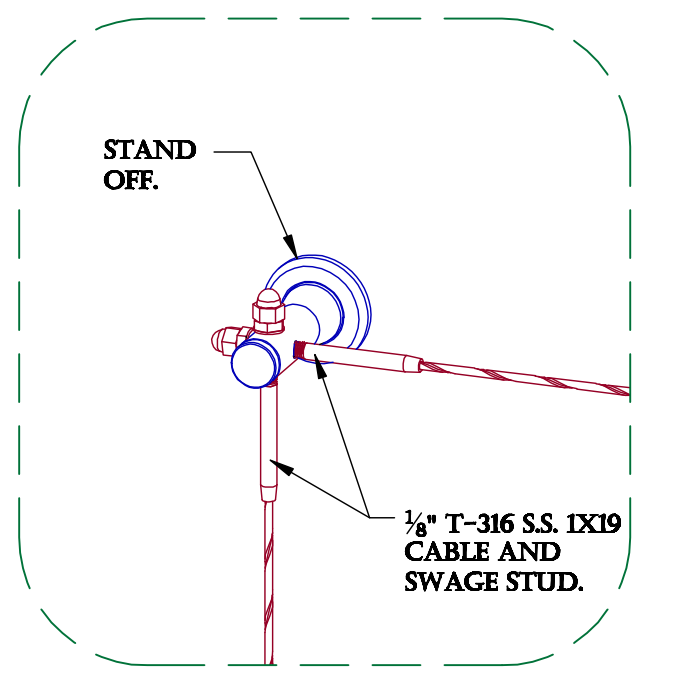
THIS KIT IS DESIGNED FOR A BRICK, BLOCK, OR PRECAST WALL ONLY



4' X 4' TRELLIS, 1' GRID

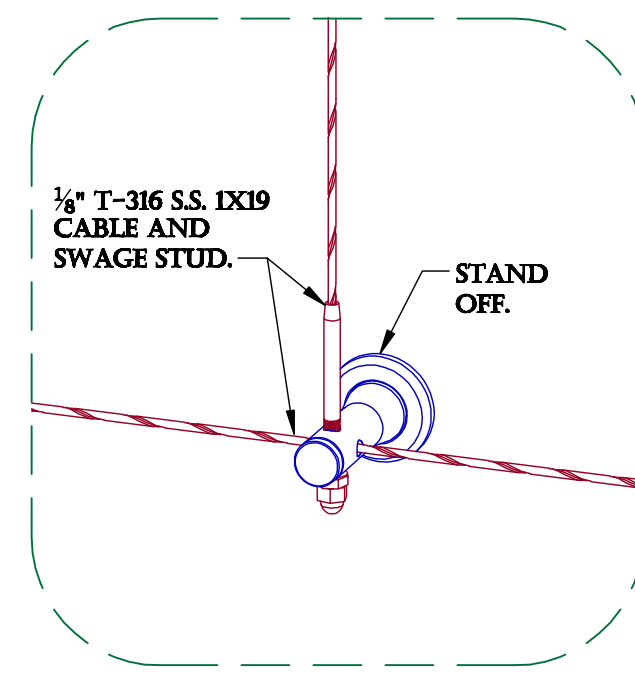
SCALE: 1 1/2" = 1'

TYPICAL CORNER ATTACHMENT.



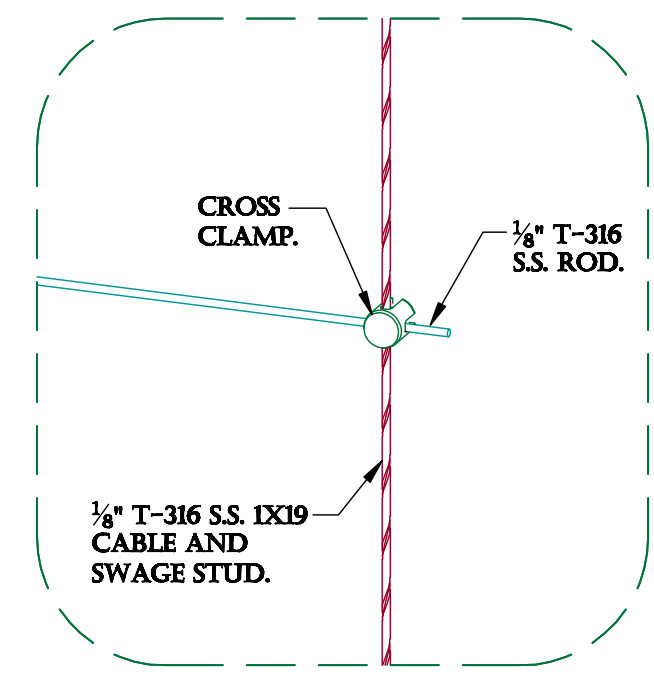
MOUNTING DETAIL 1.
SCALE: 4" = 1'

TYPICAL END/ INTERMEDIATE ATTACHMENT.

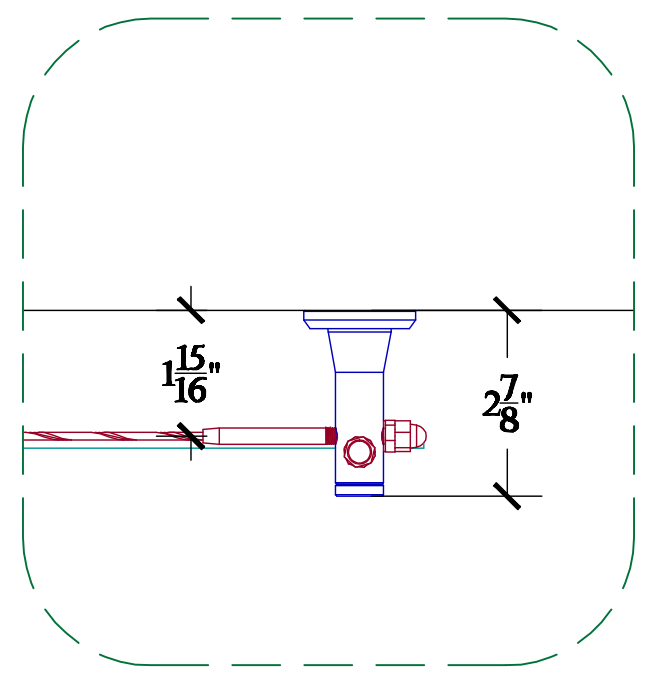


MOUNTING DETAIL 2.
SCALE: 4" = 1'

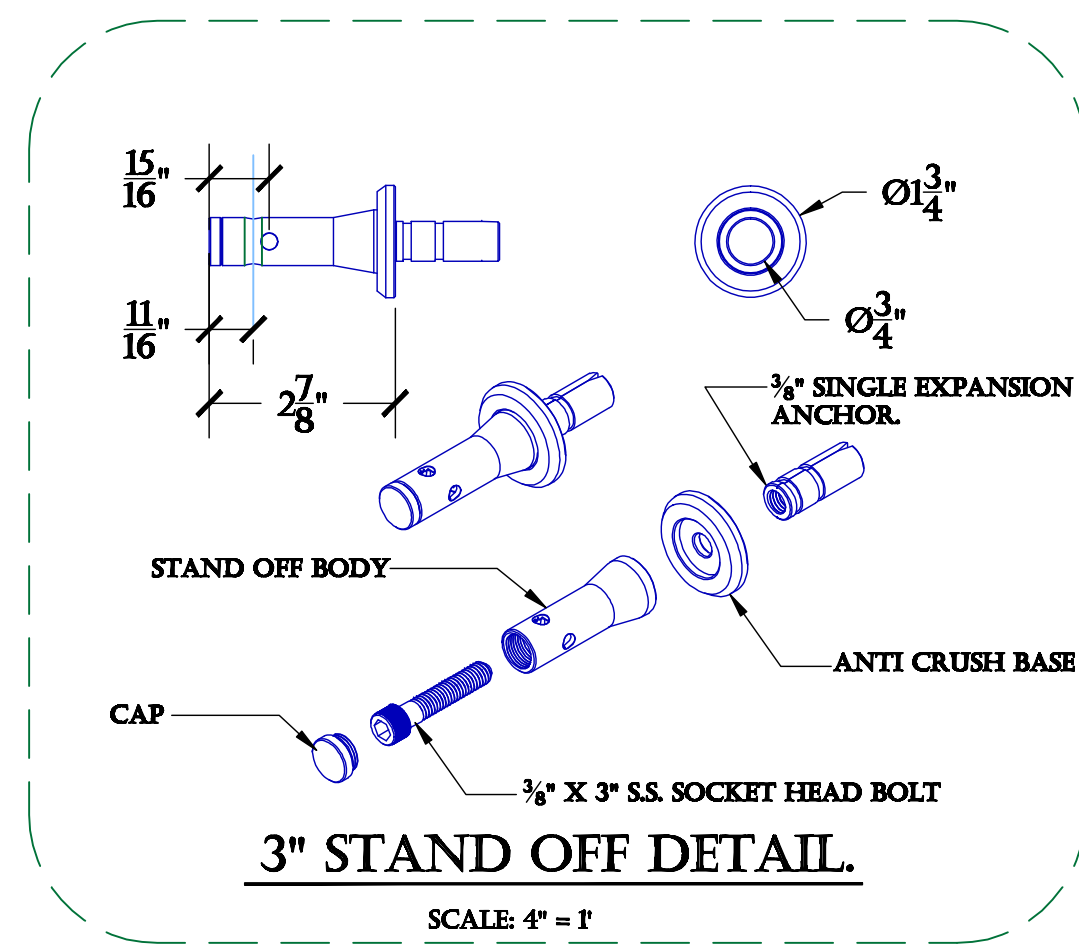
TYPICAL CABLE AND ROD INTERSECTION ATTACHMENT.



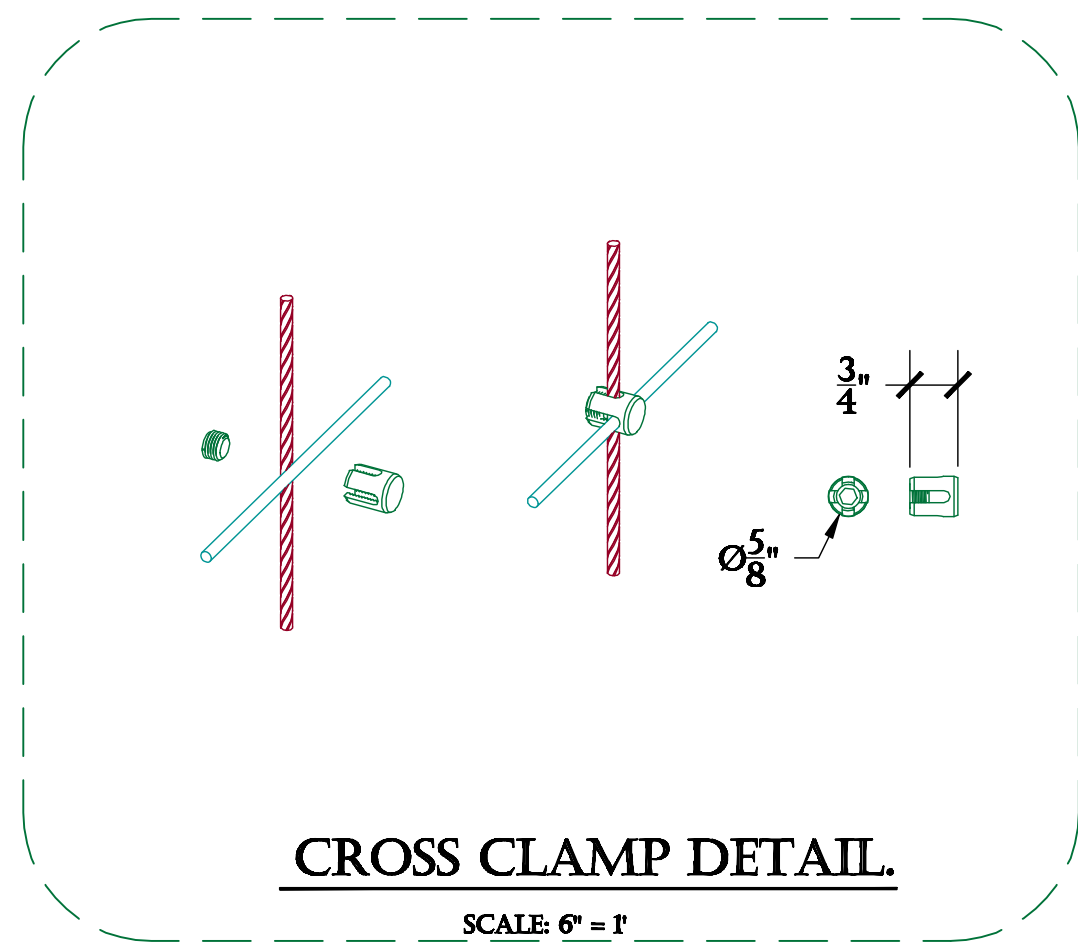
MOUNTING DETAIL 3.
SCALE: 4" = 1'



TOP VIEW DETAIL.
SCALE: 4" = 1'

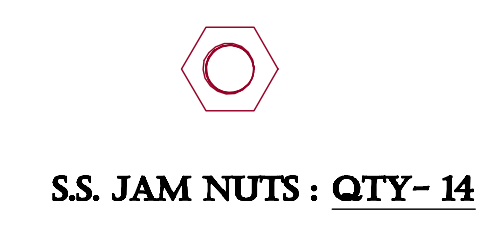
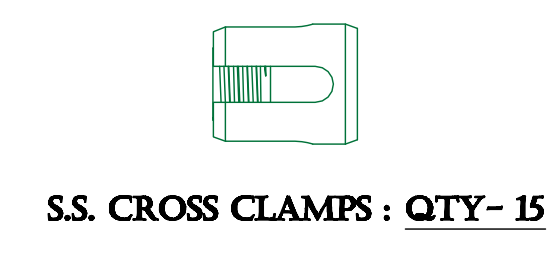
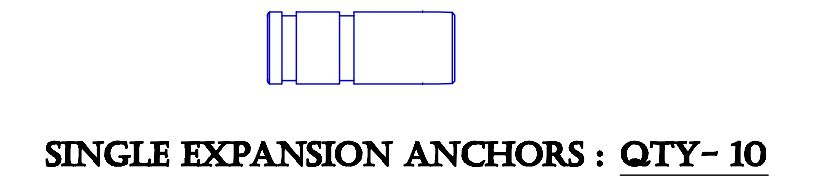
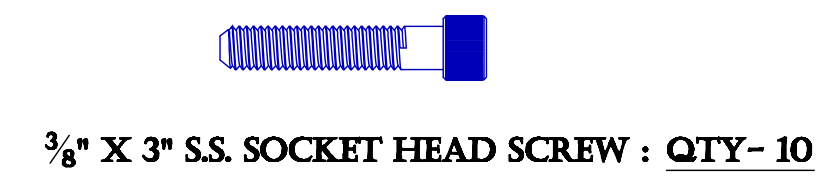
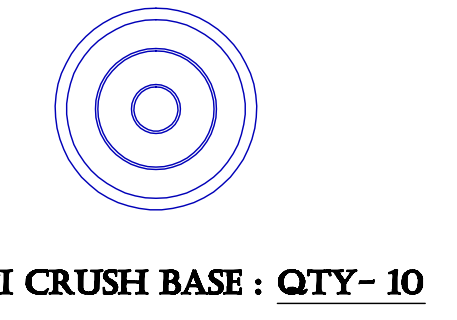
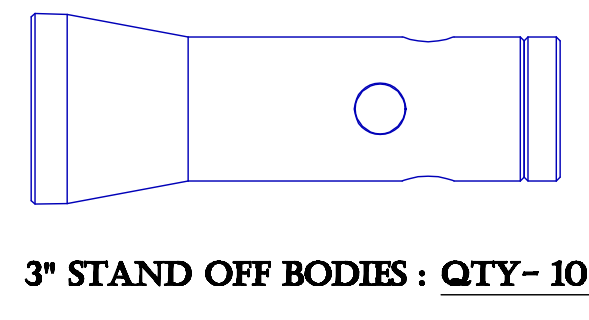
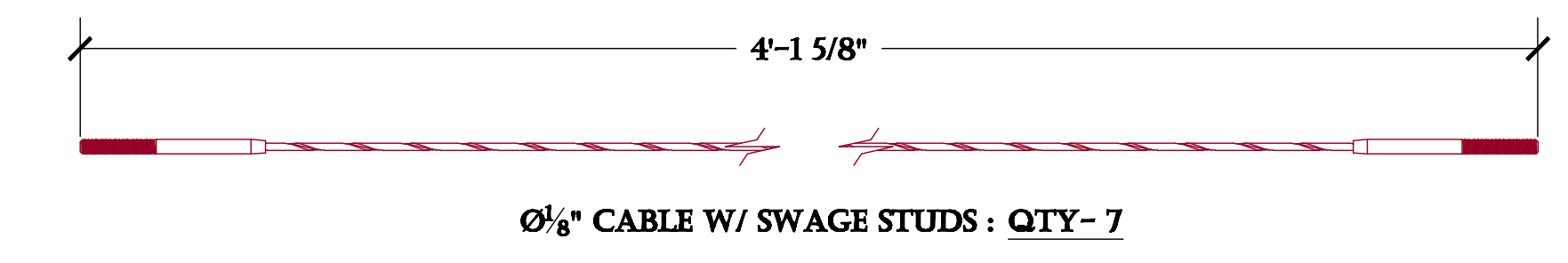
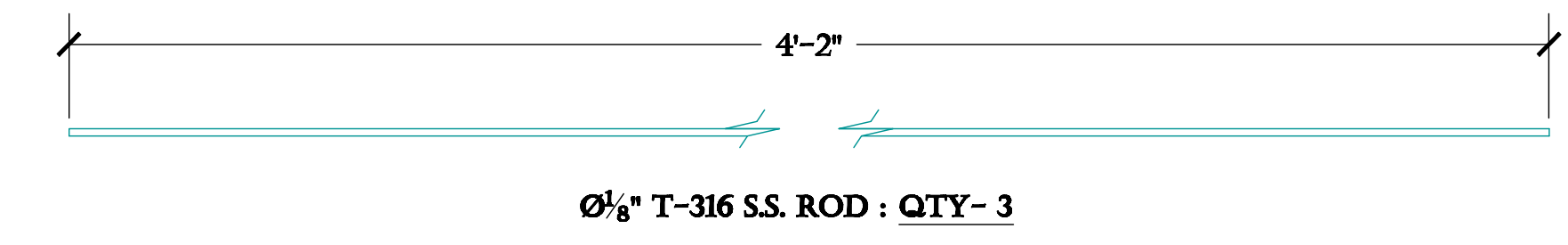


3" STAND OFF DETAIL.
SCALE: 4" = 1'



CROSS CLAMP DETAIL.
SCALE: 6" = 1'

THE 4' X 4' KIT INCLUDES THE FOLLOWING:



PRODUCT: S.S. CABLE AND ROD TRELLIS STAND OFF SYSTEM.

CONTENT: "STAND OFF " 4'X4' STANDARD SYSTEM DETAILS.

DRAWN BY: KELLER, C.

DATE: 10-01-15

PROPRIETARY AND CONFIDENTIAL. THE INFORMATION CONTAINED IN THIS DRAWING IS THE SOLE PROPERTY OF SECO SOUTH INC. ANY REPRODUCTION IN PART OR AS A WHOLE WITHOUT THE WRITTEN PERMISSION OF SECO SOUTH INC. IS PROHIBITED.

2111 34TH WAY
LARGO, FL 33771
PH: 727-536-1924
FAX: 727-539-8314
SALES@SECOOUTH.COM