

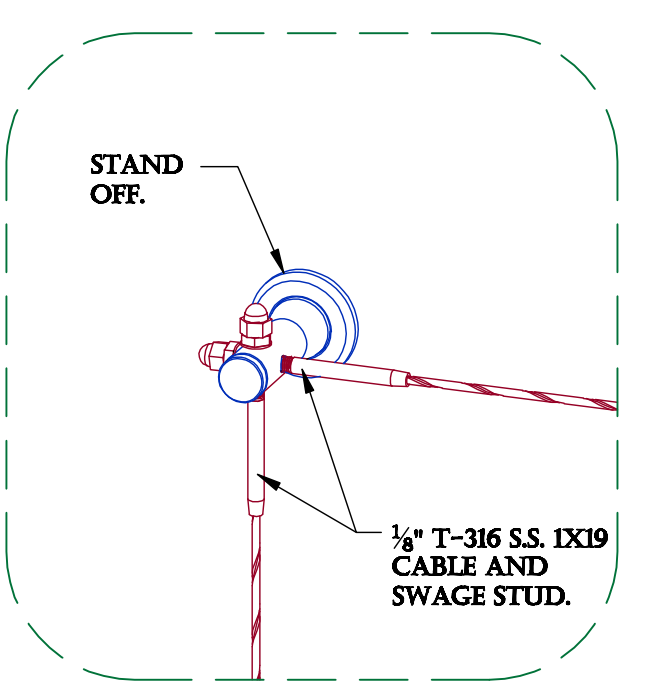
**ALL MATERIALS TYPE 316 STAINLESS STEEL ALLOY EXCEPT FOR FASTENERS.**

**THIS KIT IS DESIGNED FOR A BRICK, BLOCK, OR PRECAST WALL ONLY**

**2' X 6' TRELLIS, 1' GRID**

SCALE: 2" = 1'

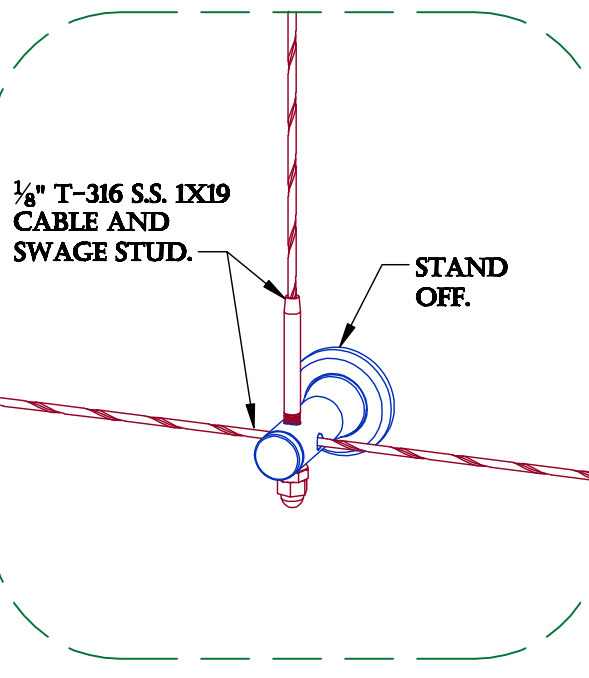
TYPICAL CORNER ATTACHMENT.



**MOUNTING DETAIL 1.**

SCALE: 4" = 1'

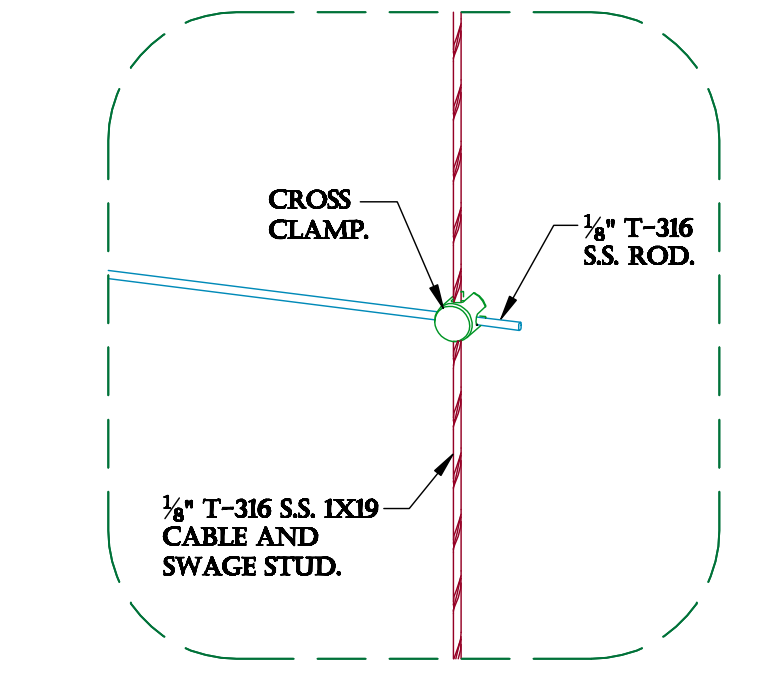
TYPICAL END/ INTERMEDIATE ATTACHMENT.



**MOUNTING DETAIL 2.**

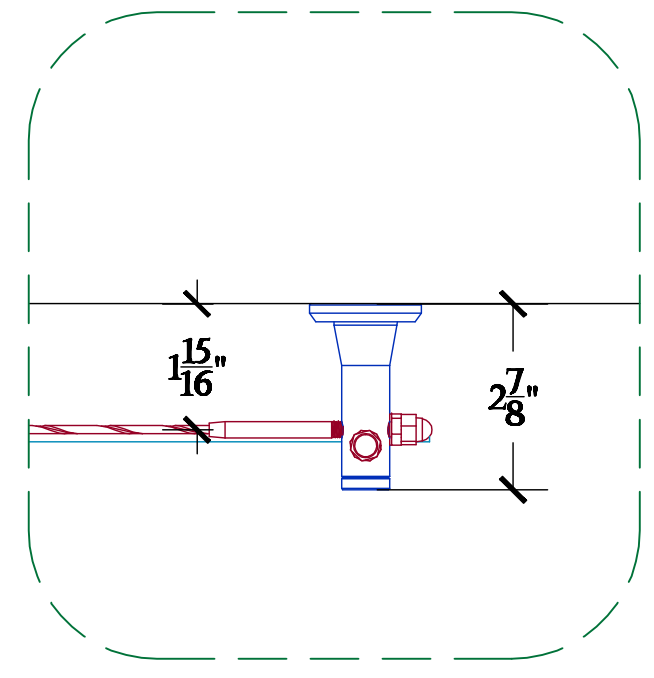
SCALE: 4" = 1'

TYPICAL CABLE AND ROD INTERSECTION ATTACHMENT.



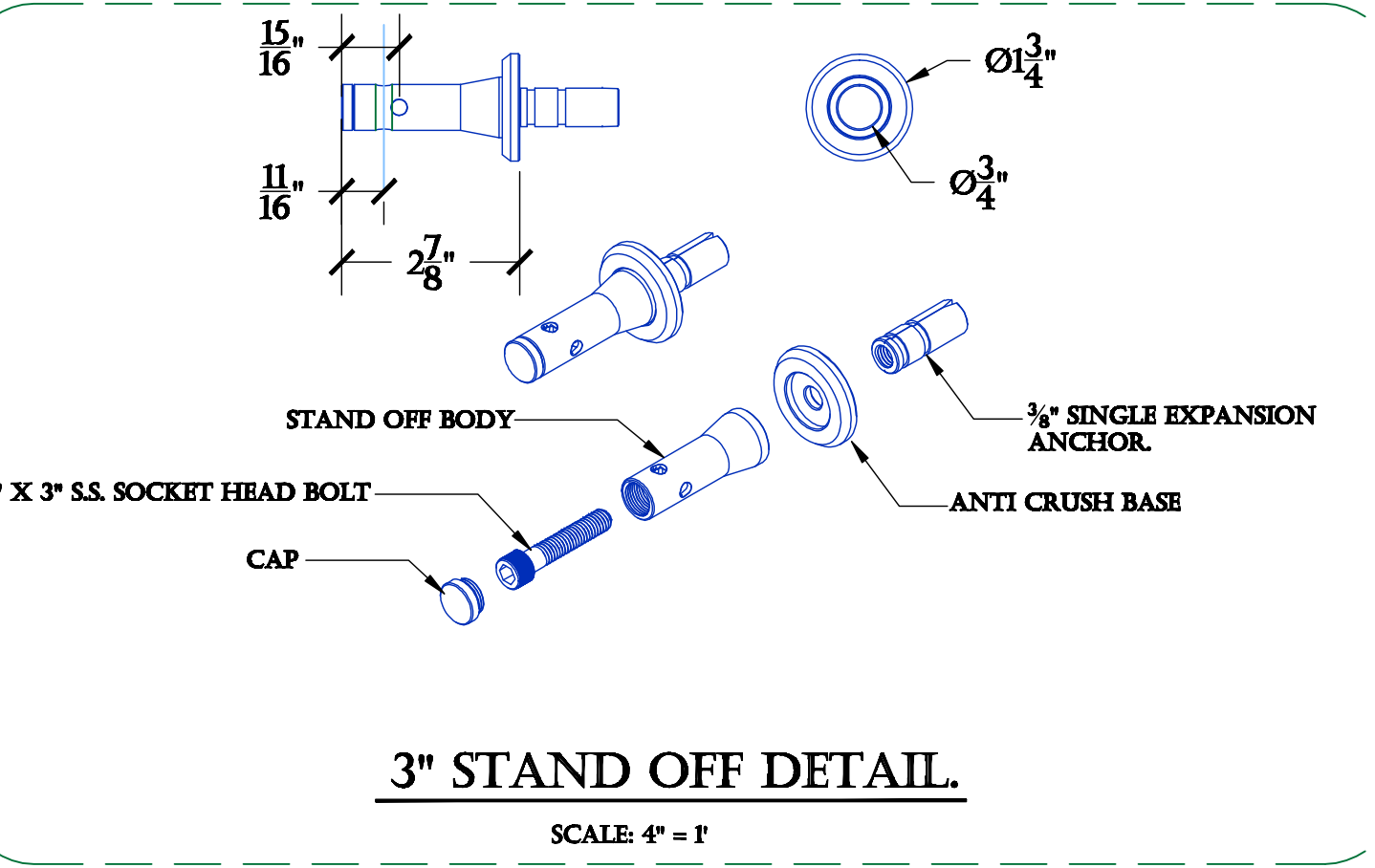
**MOUNTING DETAIL 3.**

SCALE: 4" = 1'



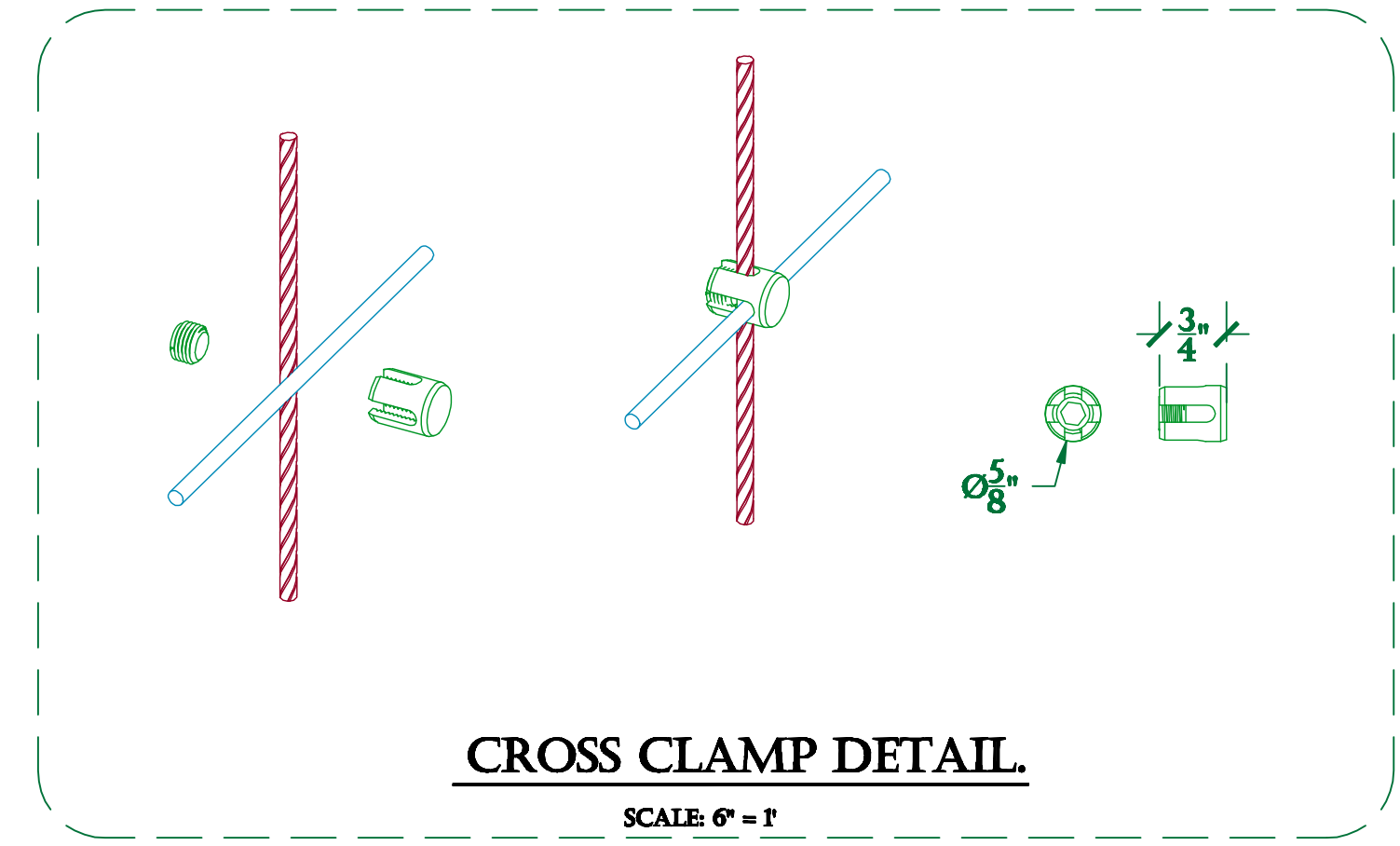
**TOP VIEW DETAIL.**

SCALE: 4" = 1'



**3" STAND OFF DETAIL.**

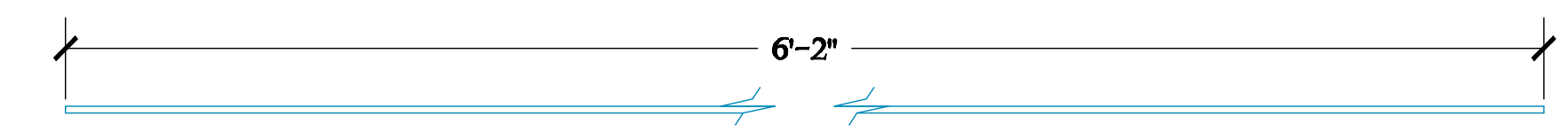
SCALE: 4" = 1'



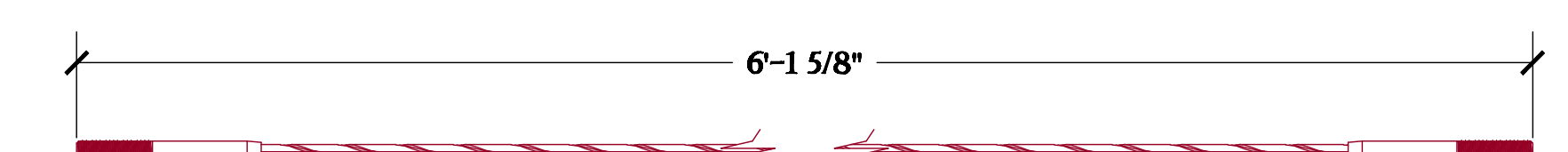
**CROSS CLAMP DETAIL.**

SCALE: 6" = 1'

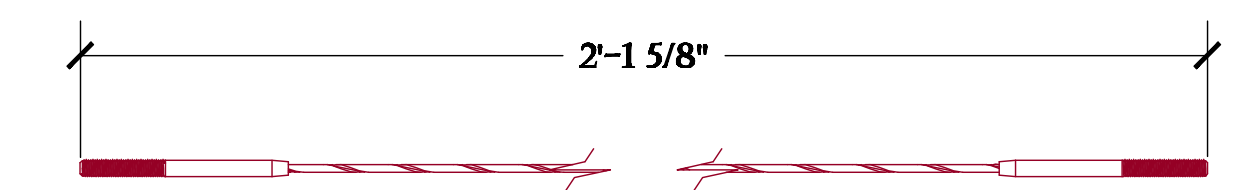
**THE 2' X 6' KIT INCLUDES THE FOLLOWING:**



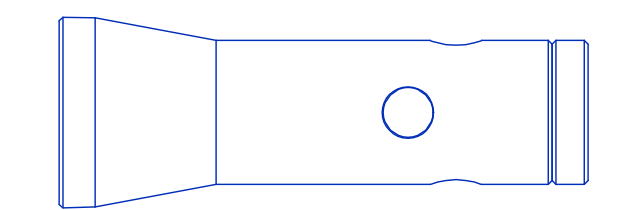
$\text{\O} \frac{5}{8}$ " T-316 S.S. ROD : QTY- 1



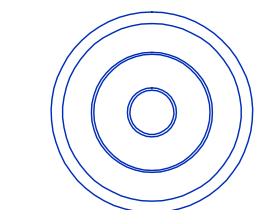
$\text{\O} \frac{1}{8}$ " LONG CABLE W/ SWAGE STUDS : QTY- 2



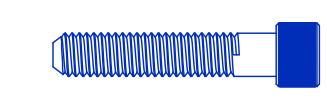
$\text{\O} \frac{5}{8}$ " SHORT CABLE W/ SWAGE STUDS : QTY- 7



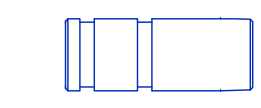
3" STAND OFF BODIES : QTY- 14



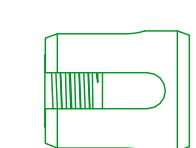
ANTI CRUSH BASE : QTY- 14



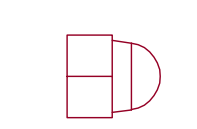
$\frac{3}{8}$ " X 3" S.S. SOCKET HEAD SCREW : QTY- 14



SINGLE EXPANSION ANCHORS : QTY- 14



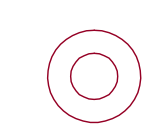
S.S. CROSS CLAMPS : QTY- 7



S.S. CAP NUTS : QTY- 18



S.S. JAM NUTS : QTY- 18



S.S. FLAT WASHERS : QTY- 18

PRODUCT: S.S. CABLE AND ROD TRELLIS SYSTEM.

CONTENT: "STAND OFF" 2'X6" STANDARD SYSTEM DETAILS.

DRAWN BY: KELLER, C.

DATE: 10-01-15

PROPRIETARY AND CONFIDENTIAL: THE INFORMATION CONTAINED IN THIS DRAWING IS THE SOLE PROPERTY OF SECO SOUTH INC. ANY REPRODUCTION IN PART OR AS A WHOLE WITHOUT THE WRITTEN PERMISSION OF SECO SOUTH INC. IS PROHIBITED.

2111 34TH WAY  
LARGO, FL 33771  
PH: 727-536-1924  
FAX: 727-539-8314  
SALES@SECOOUTH.COM