

STEP #1.
LAYOUT TRELLIS GRID PATTERN ON WALL AND
MARK THE HUB LOCATIONS DEPENDING ON WHAT
KIT WAS PURCHASED. (FIG.1).

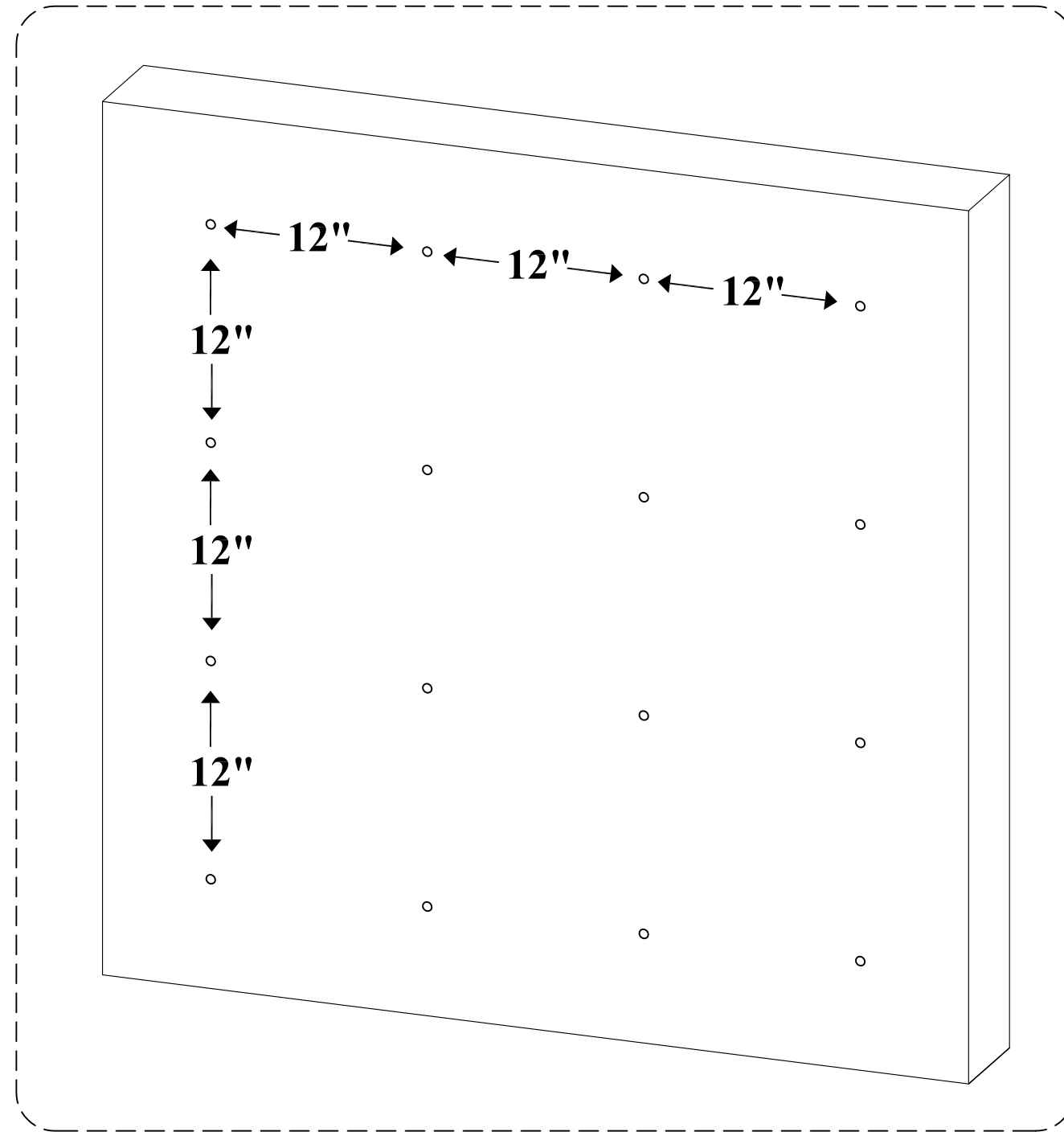


FIG. 1.

STEP #2:
ATTACH THE HUBS TO THE WALL BY PRE-DRILLING
WITH THE SUPPLIED MASONRY BIT FOR THE *TAPCON*
FASTENER (FIG.2) AND INSTALL THE HUB USING THE
TAPCON FASTENER (FIG.3). THE *TAPCON* FASTENER IS
SUITABLE FOR CONCRETE OR WOOD APPLICATIONS.

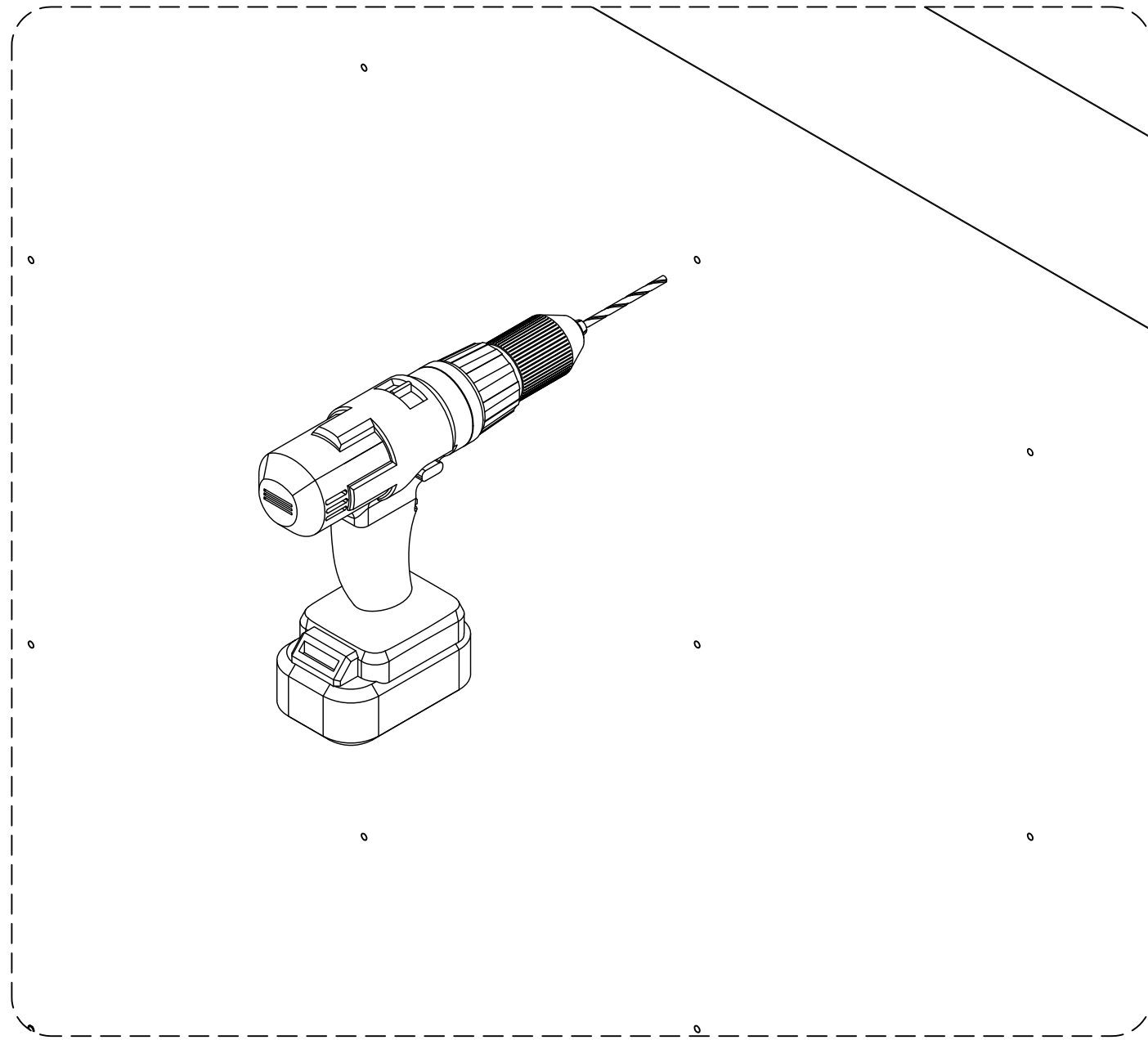


FIG. 2.

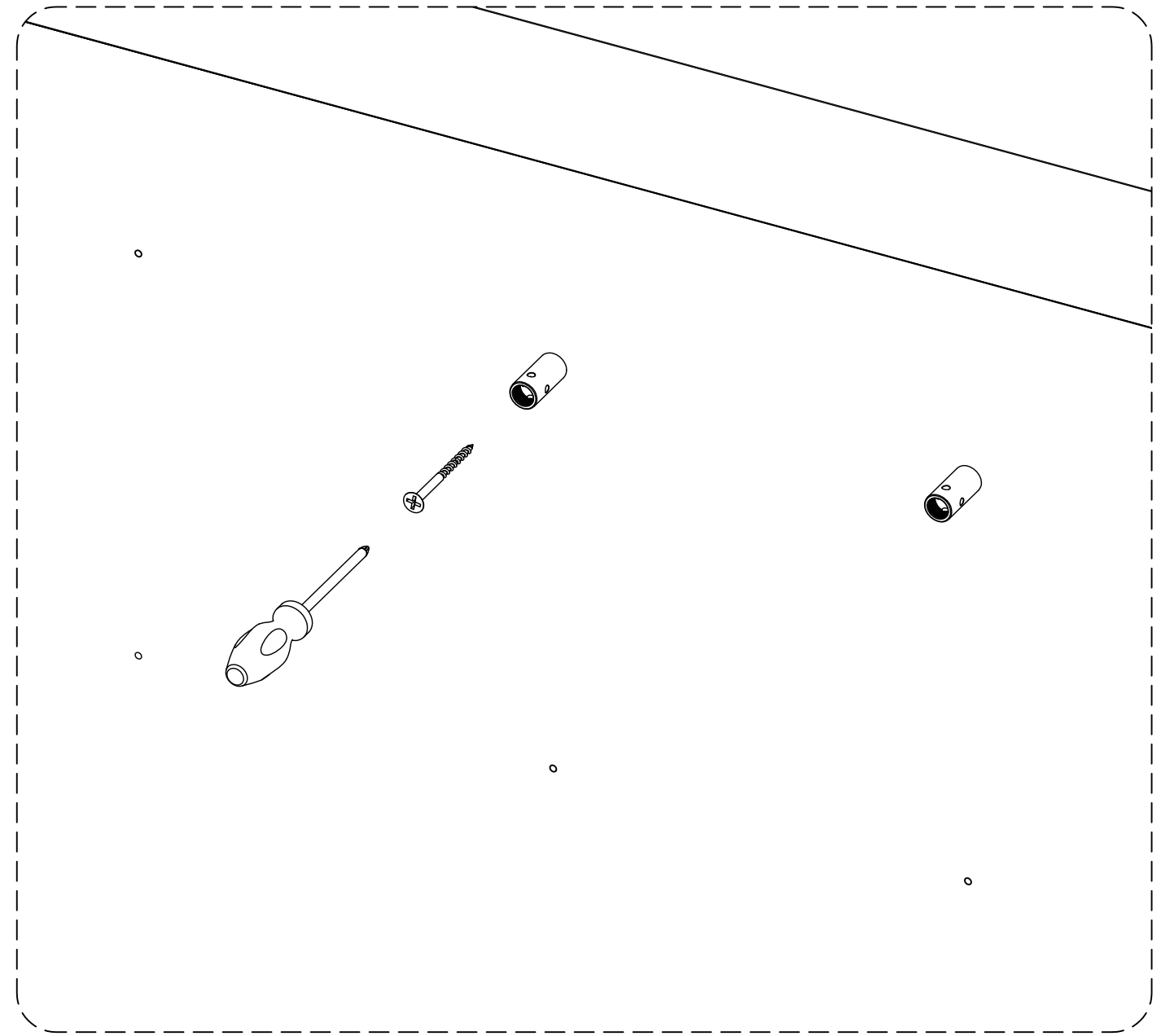


FIG. 3.

STEP #3.
AFTER THE HUBS ARE INSTALLED, YOU CAN NOW
MEASURE FOR AND CUT THE CABLES TO LENGTH.
(FIG.4, FIG.5)

****HAND HELD CABLE CUTTERS ARE RECOMMENDED.***

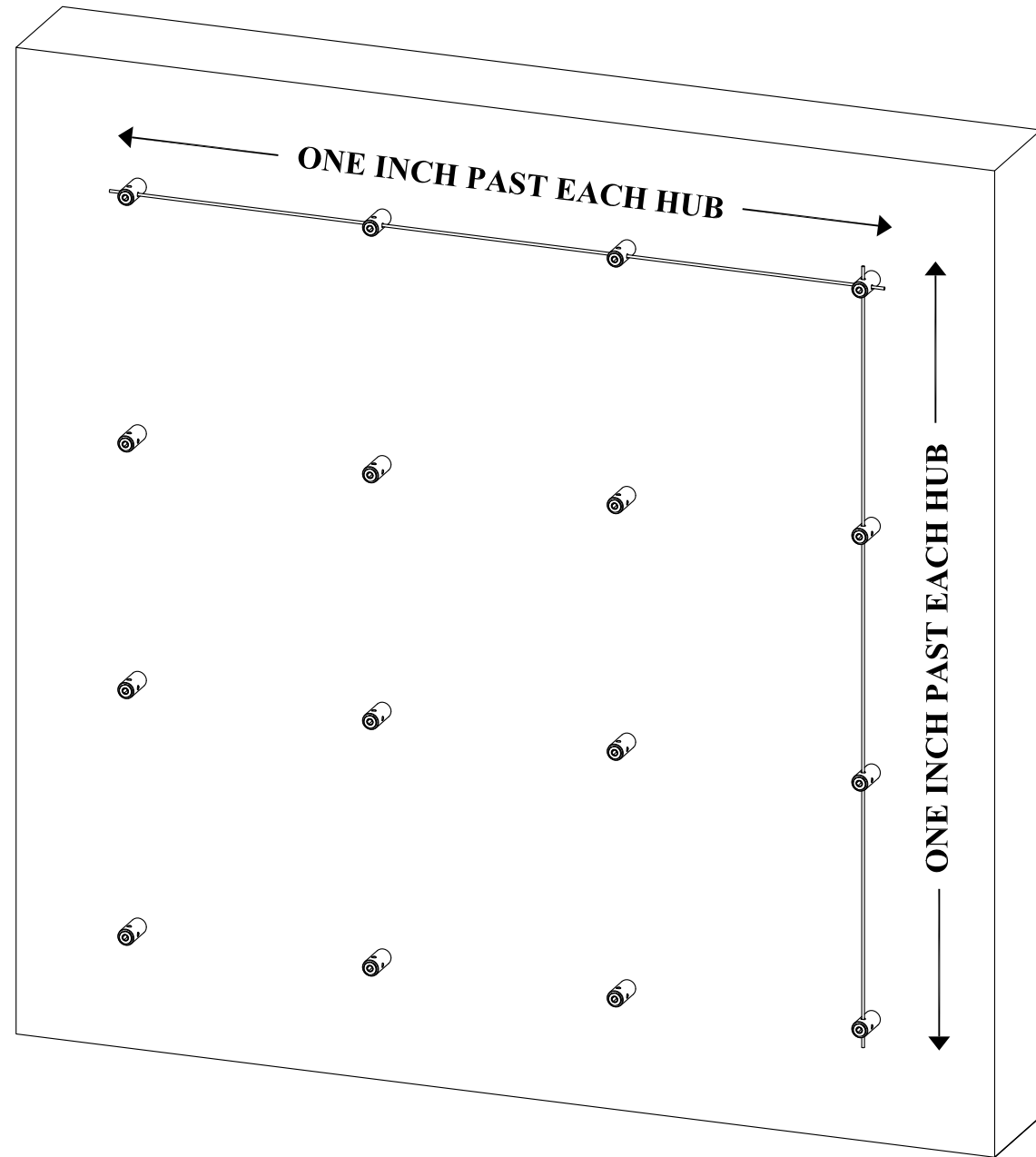
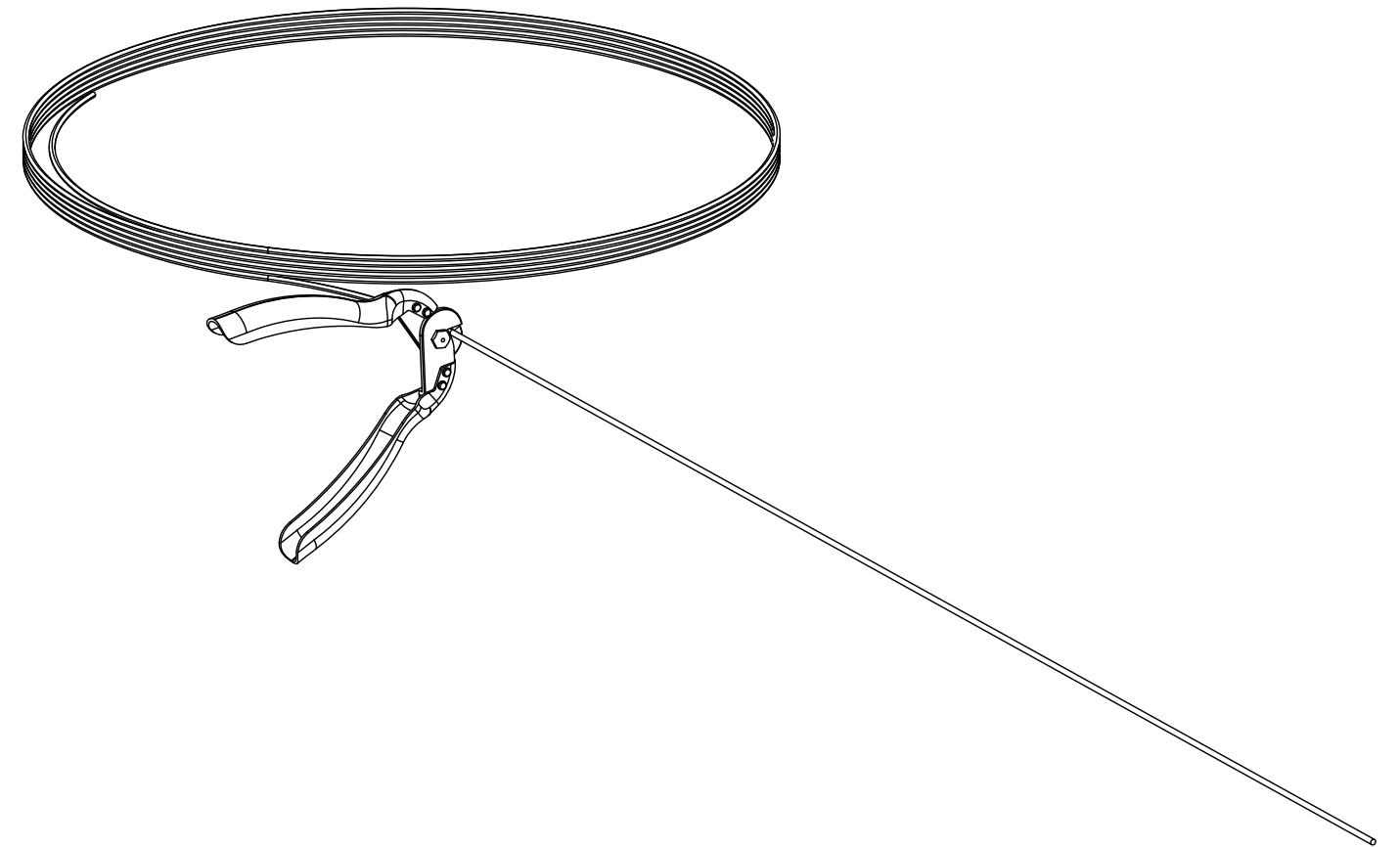


FIG. 4.



****IT IS RECOMMENDED THAT HAND HELD CABLE***
CUTTERS ARE USED.

FIG. 5.

STEP #4:
AFTER THE CABLES ARE CUT TO THE PROPER
LENGTH YOU CAN NOW INSTALL THE CUT LENGTHS
OF CABLE BY THREADING THROUGH EACH HUB
HORIZONTALLY AND VERTICALLY. DO THIS BY
REINSTALLING THE CENTER SCREW AND
TENSIONING THE CABLES AS YOU GO. (FIG.6)

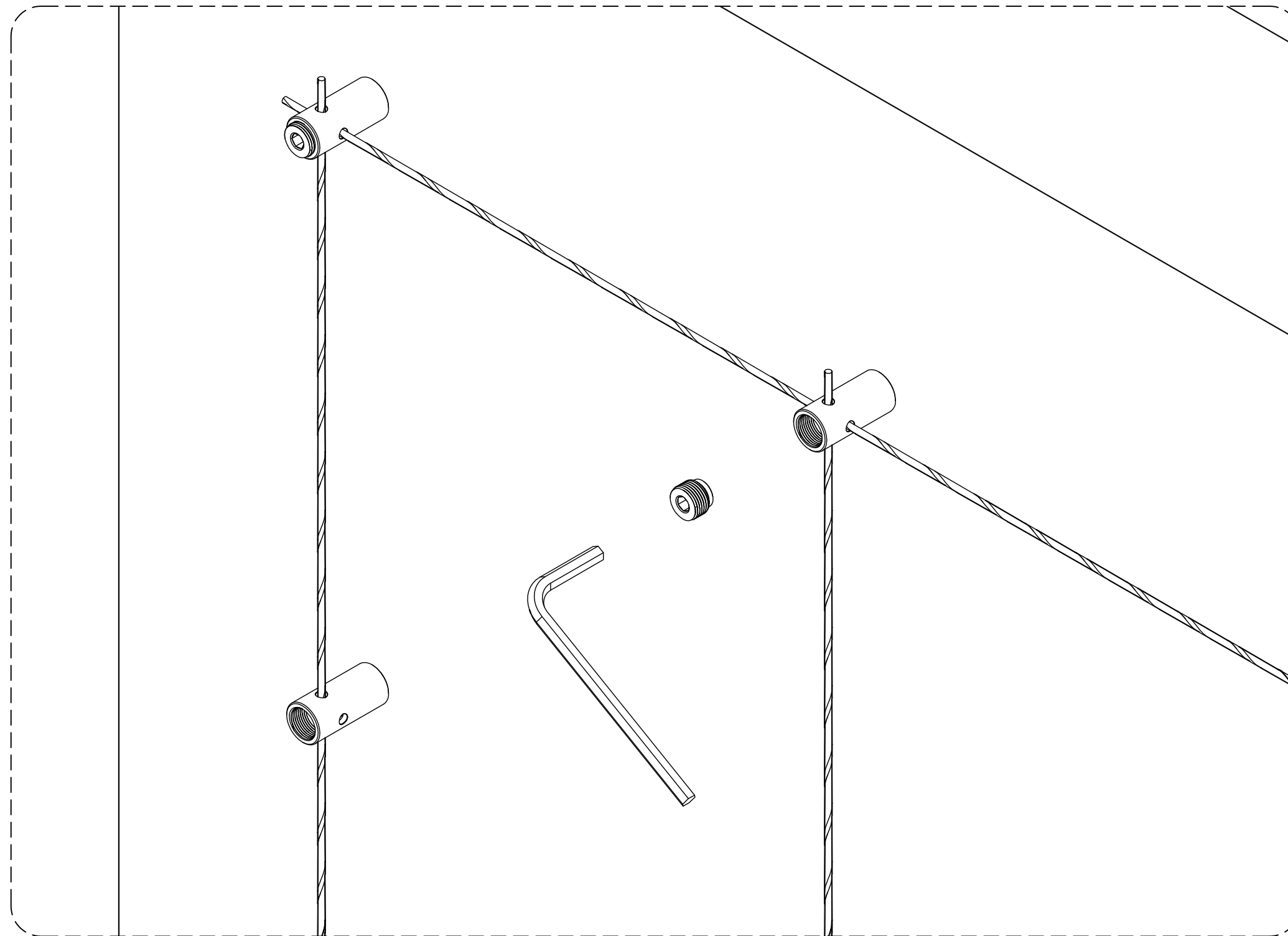


FIG. 6.

STEP #7:
ONCE YOU HAVE ALL OF THE CABLES TENSIONED
YOU CAN INSTALL THE RUBBER CABLE CAP TO
PROTECT THE ENDS (FIG.7)

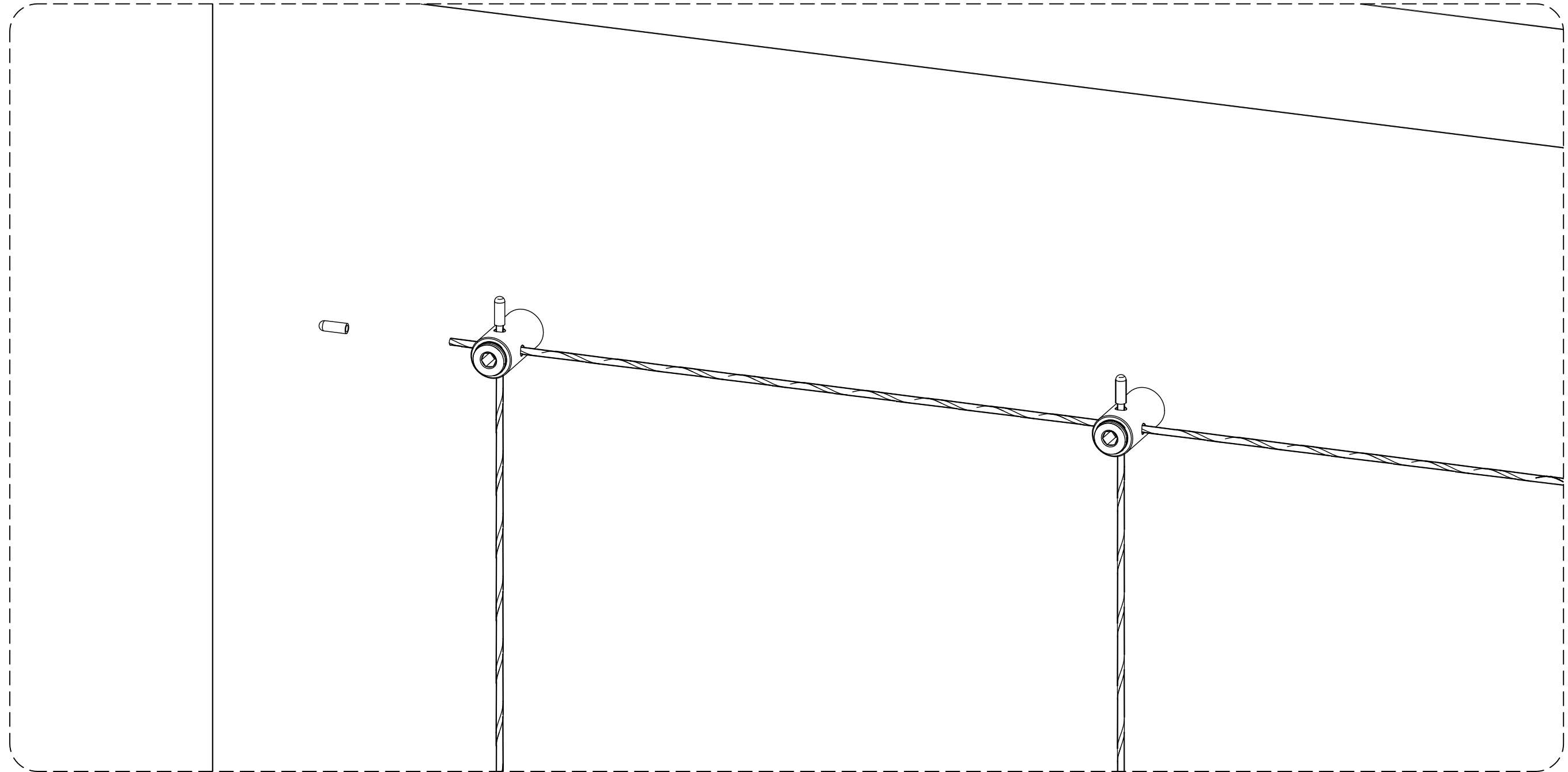


FIG. 7.