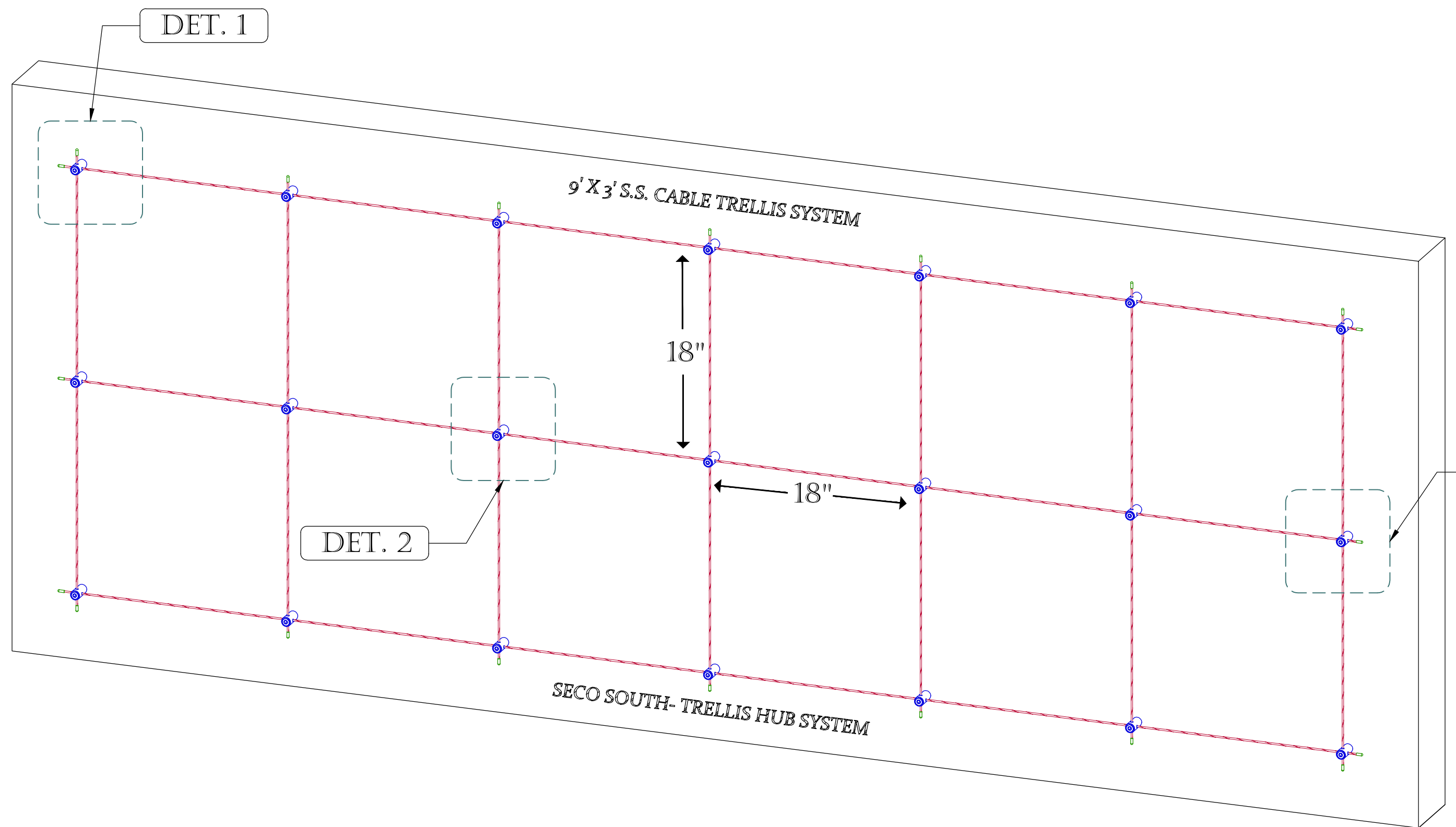
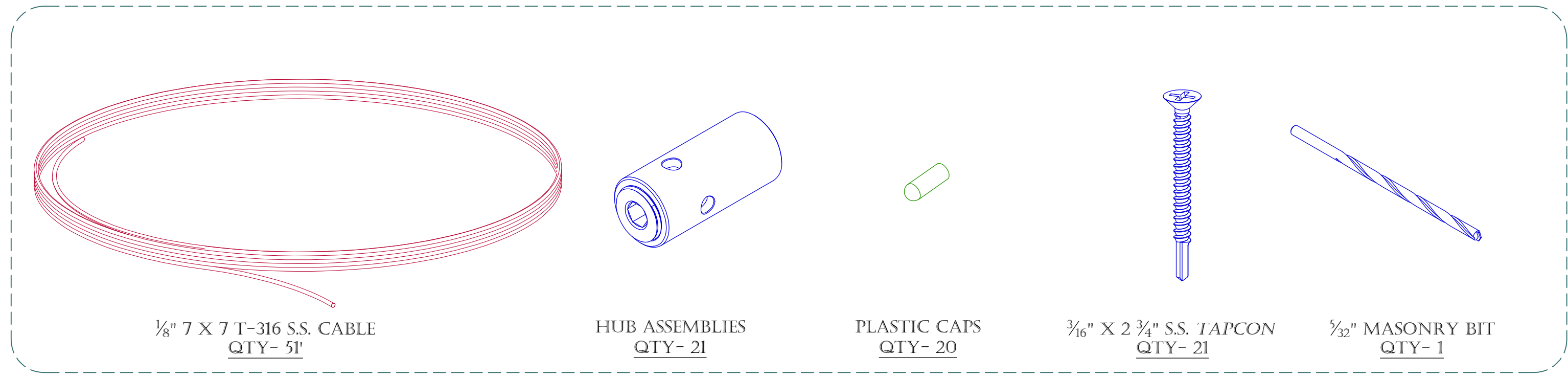
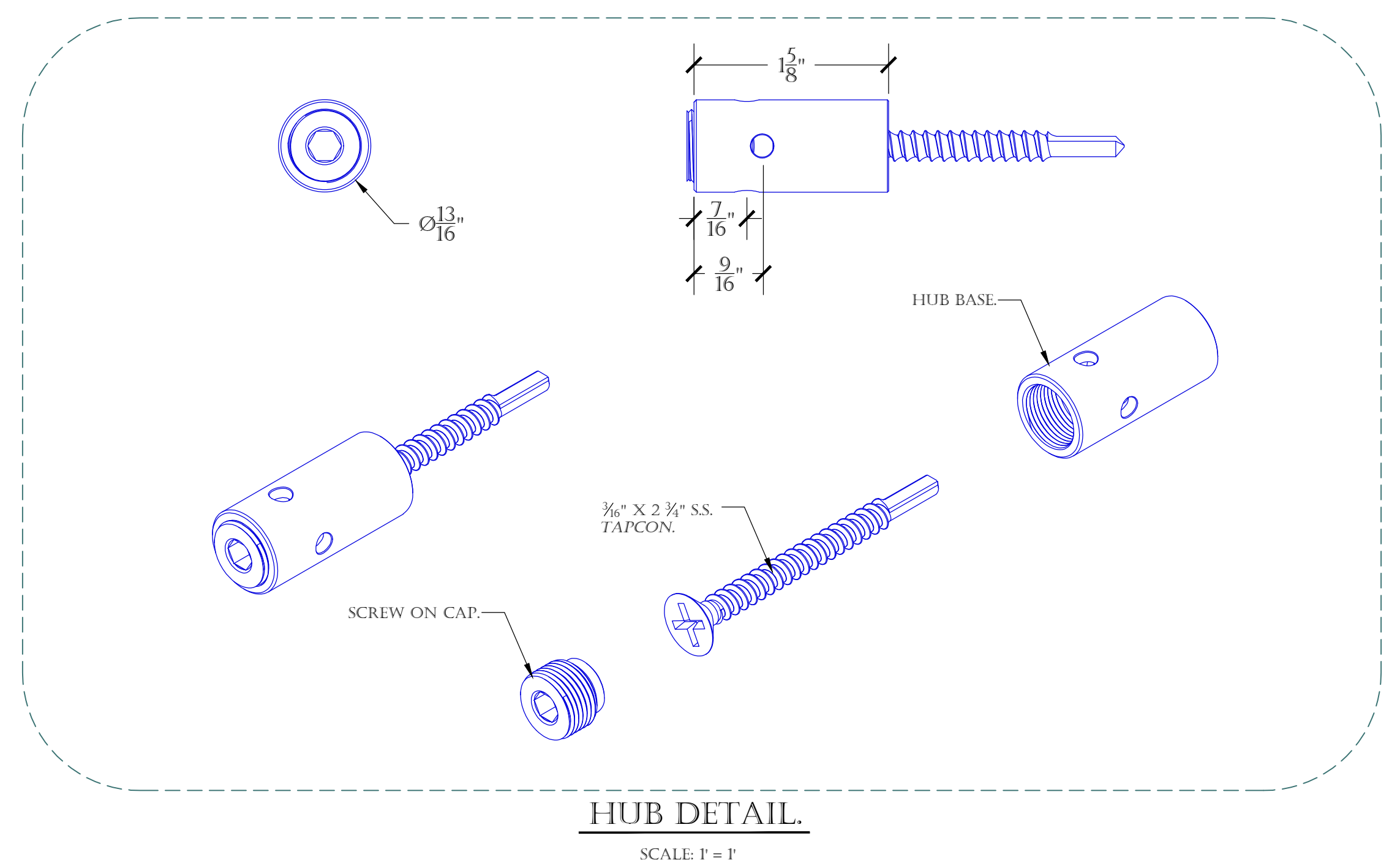


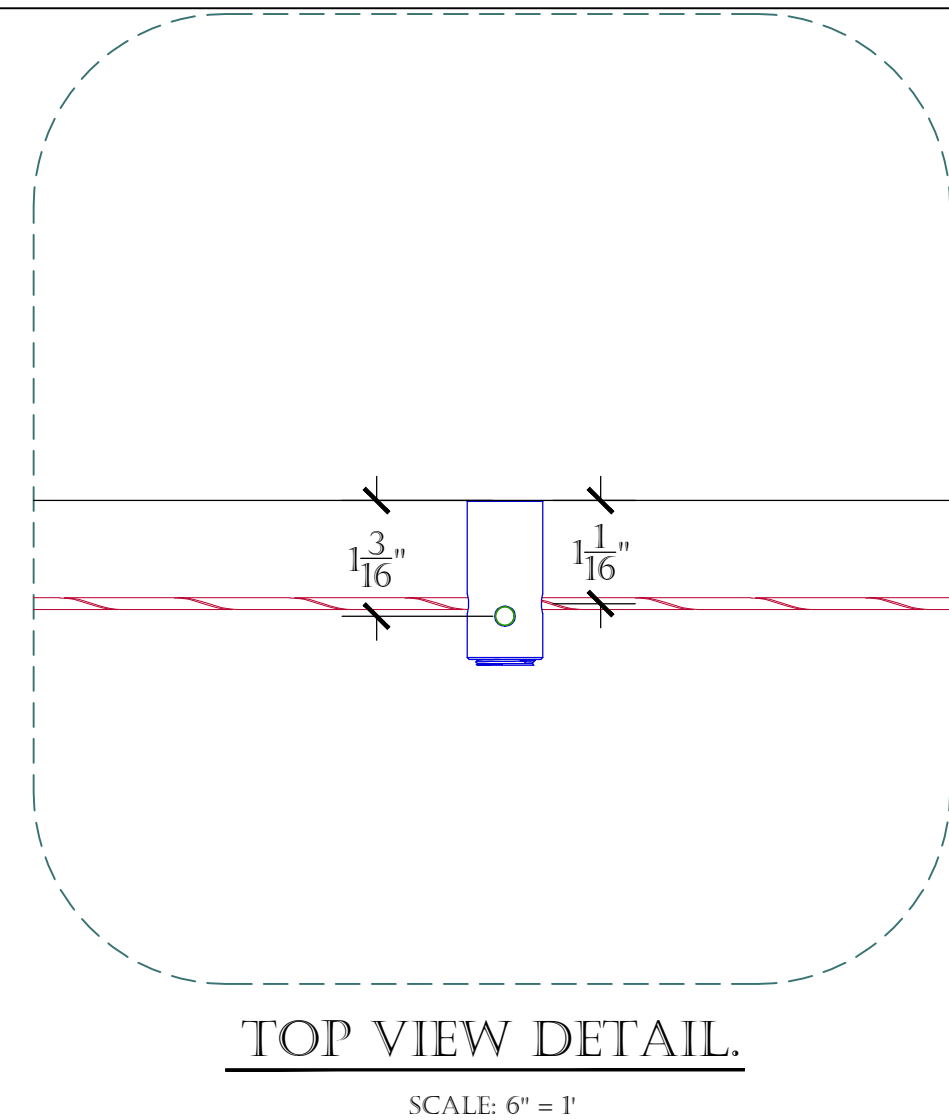
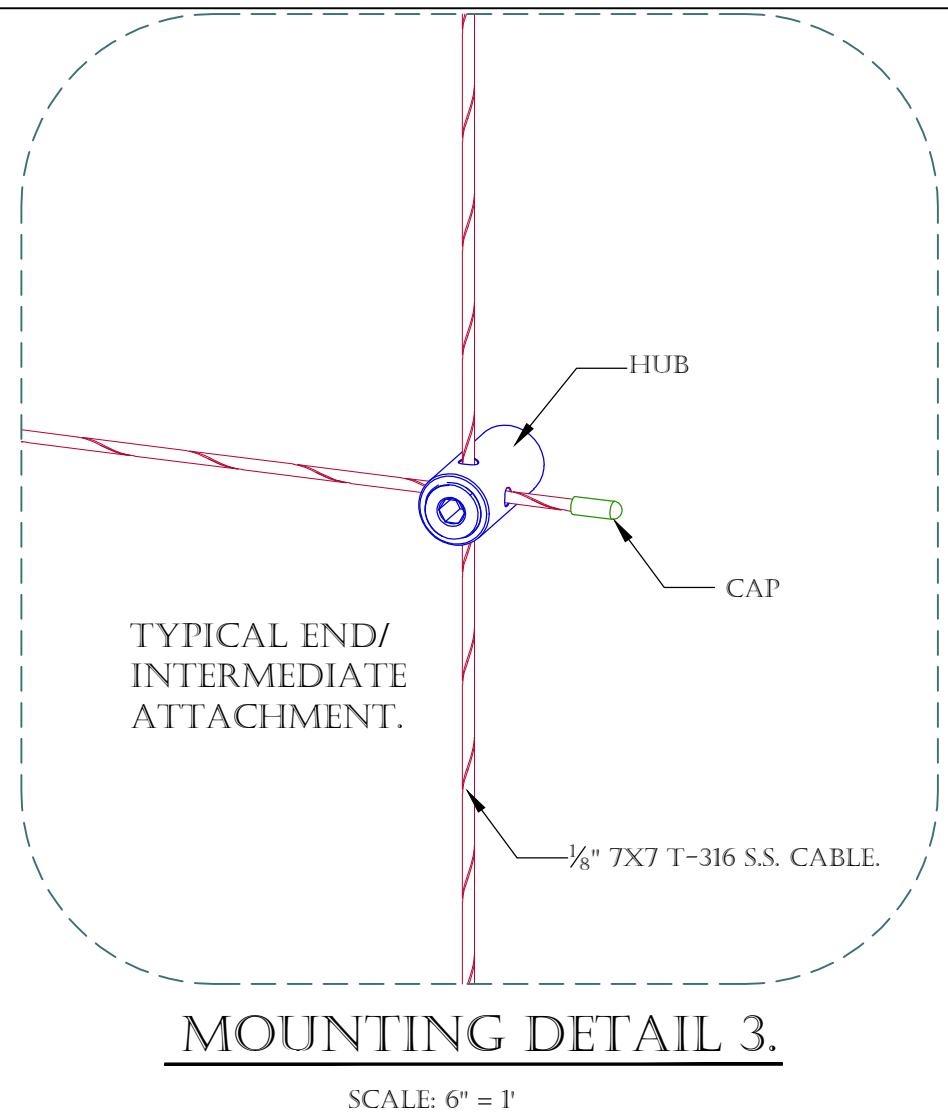
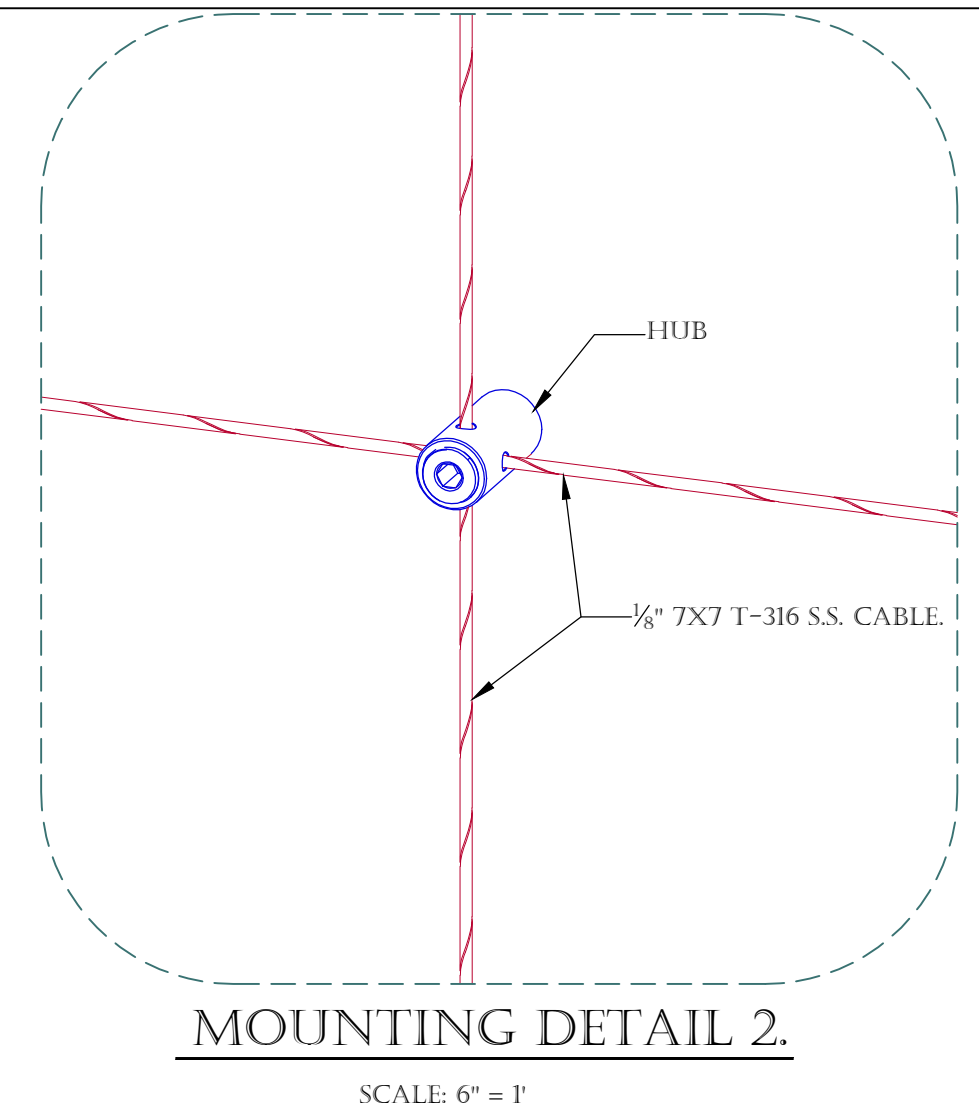
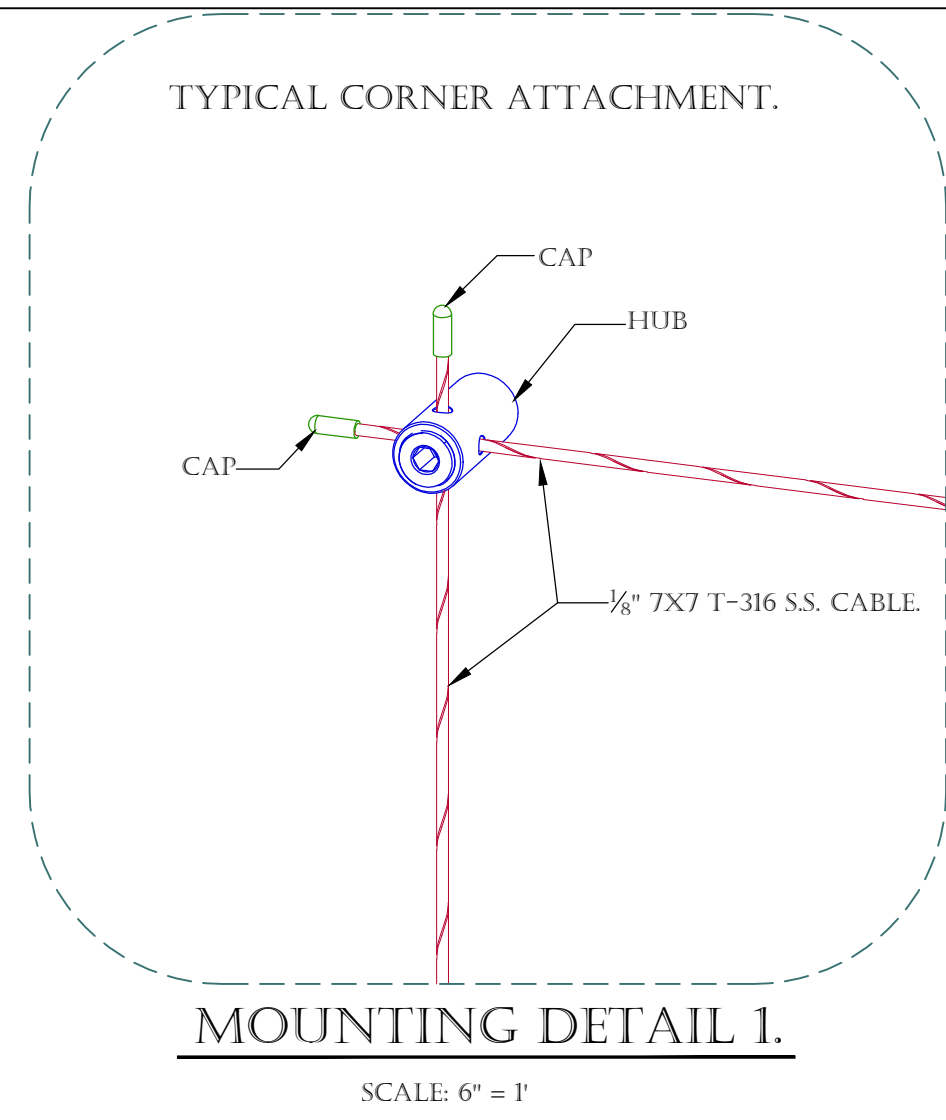
ALL MATERIALS TYPE 316 STAINLESS STEEL ALLOY .
THIS KIT IS DESIGNED FOR A BRICK, BLOCK, PRECAST, OR WOOD WALL.



9' X 3' TRELLIS, 18" GRID.
SCALE: 1 1/2" = 1'



THE 9' X 3', 18" GRID KIT INCLUDES THE FOLLOWING:



PRODUCT: S.S. CABLE GREEN WALL/ HUB TRELLIS SYSTEM.		
CONTENT: 9' X 3' , 18" GRID STANDARD SYSTEM DETAILS.		
DRAWN BY: KELLER, C.		2111 34TH WAY LARGO, FL 33771 PH: 727-536-1924 FAX: 727-539-6314 SALES@SECOSOUTH.COM
DATE: 10-01-15	REV: 9-11-20	
PROPRIETARY AND CONFIDENTIAL. THE INFORMATION CONTAINED IN THIS DRAWING IS THE SOLE PROPERTY OF SECOSOUTH INC. ANY REPRODUCTION IN PART OR AS A WHOLE WITHOUT THE WRITTEN PERMISSION OF SECOSOUTH INC. IS PROHIBITED.		