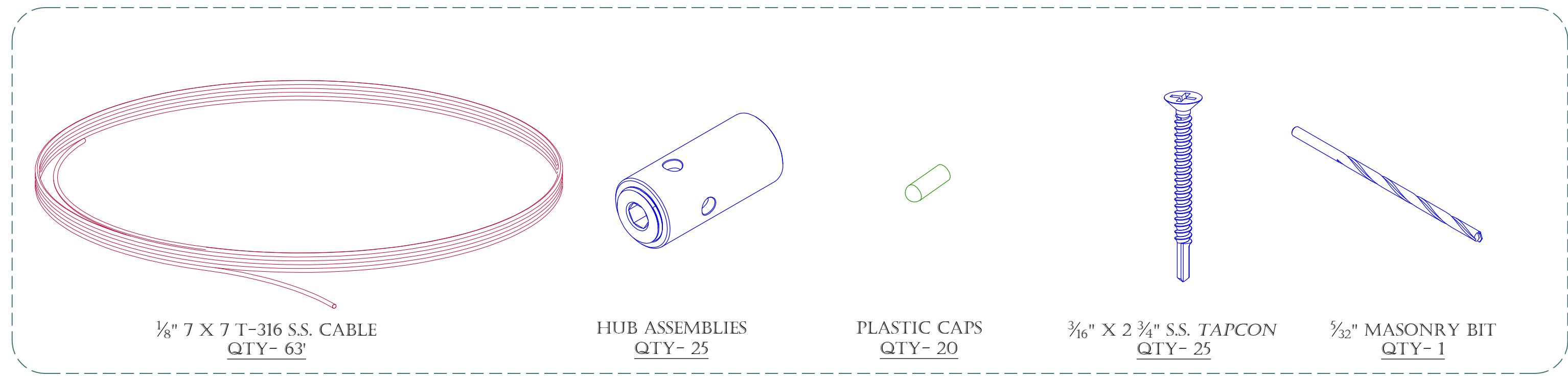
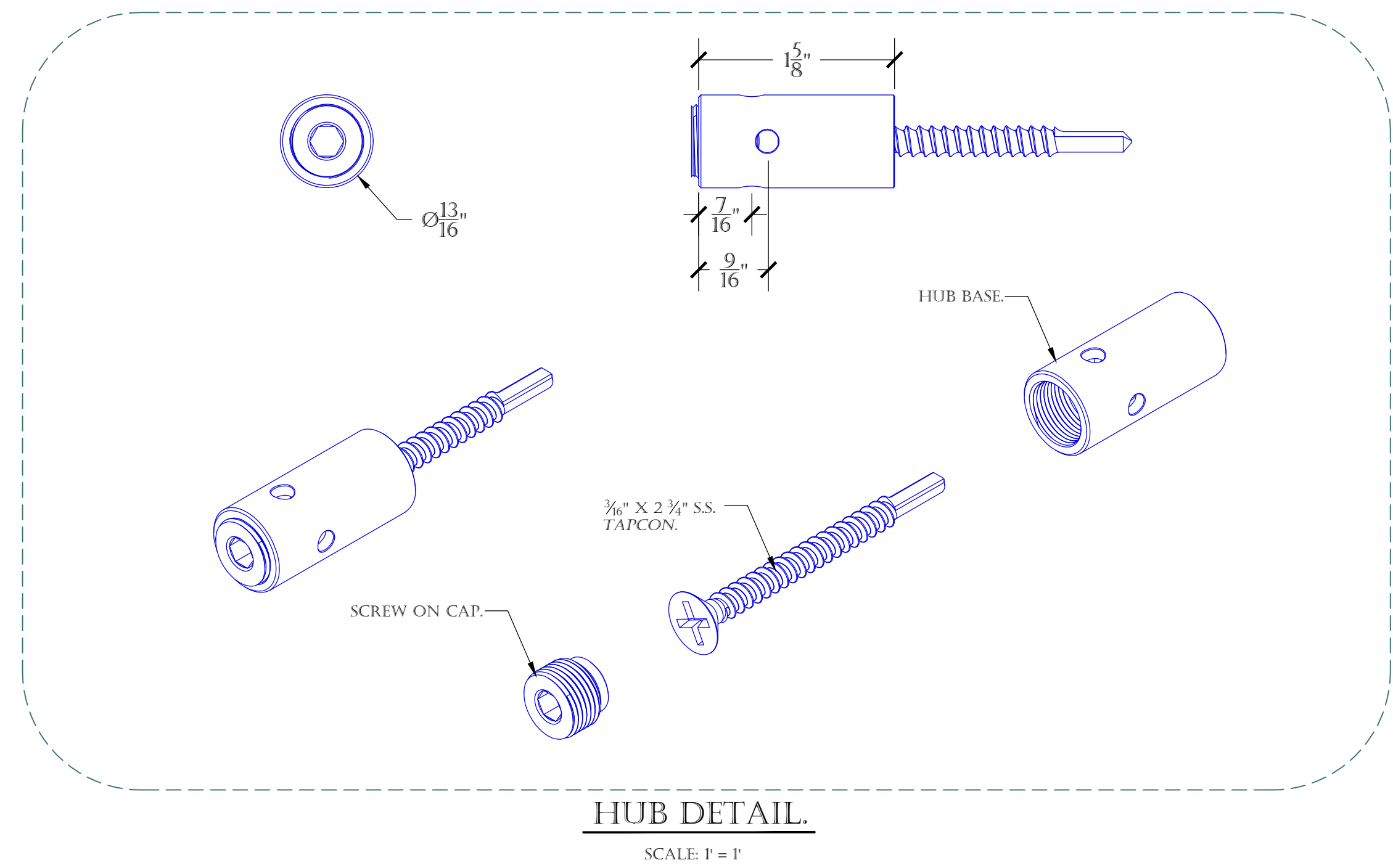


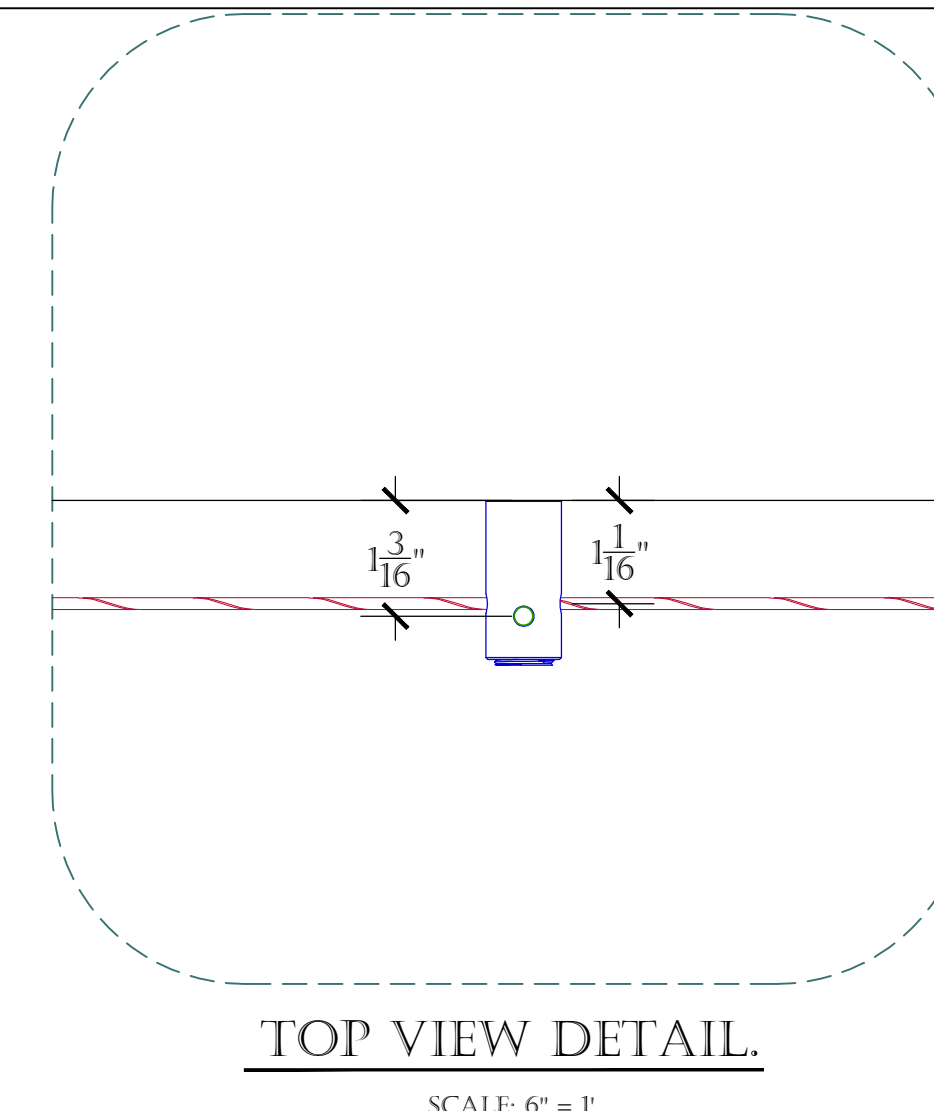
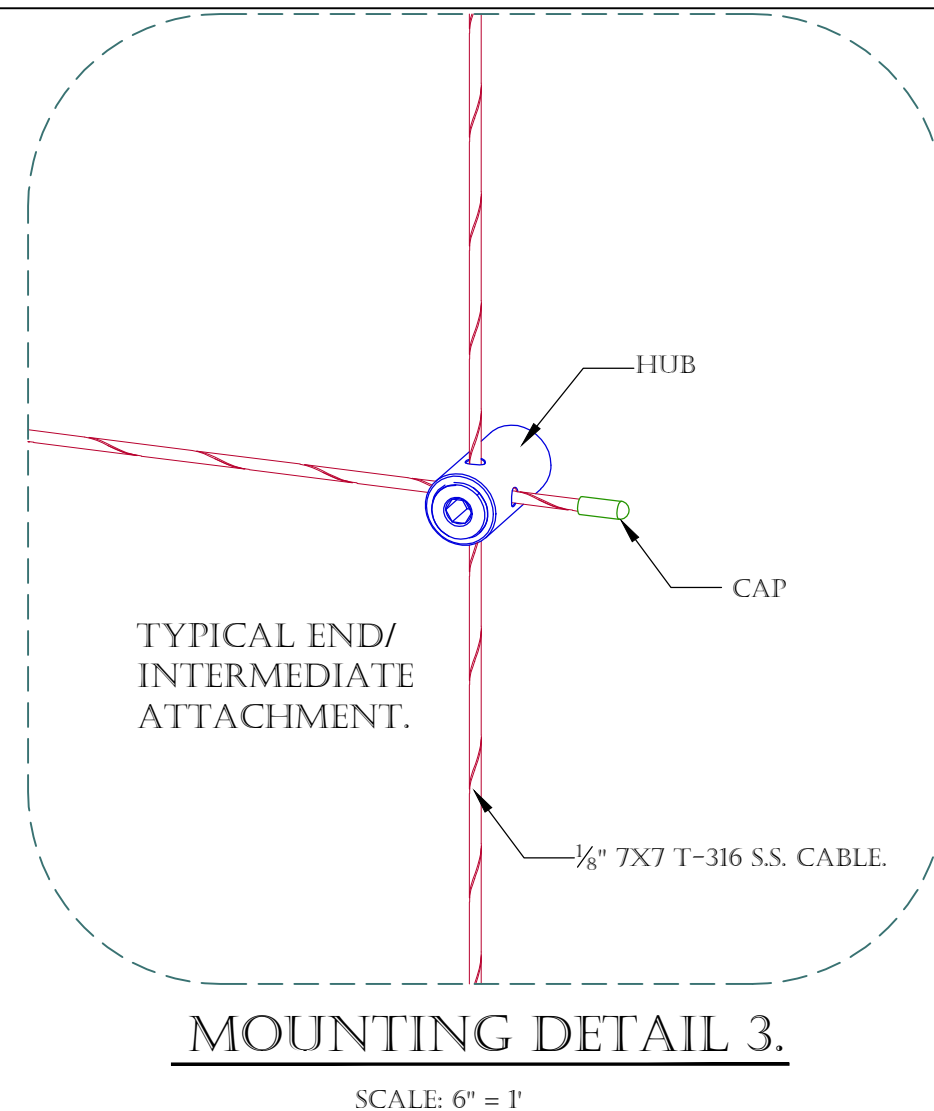
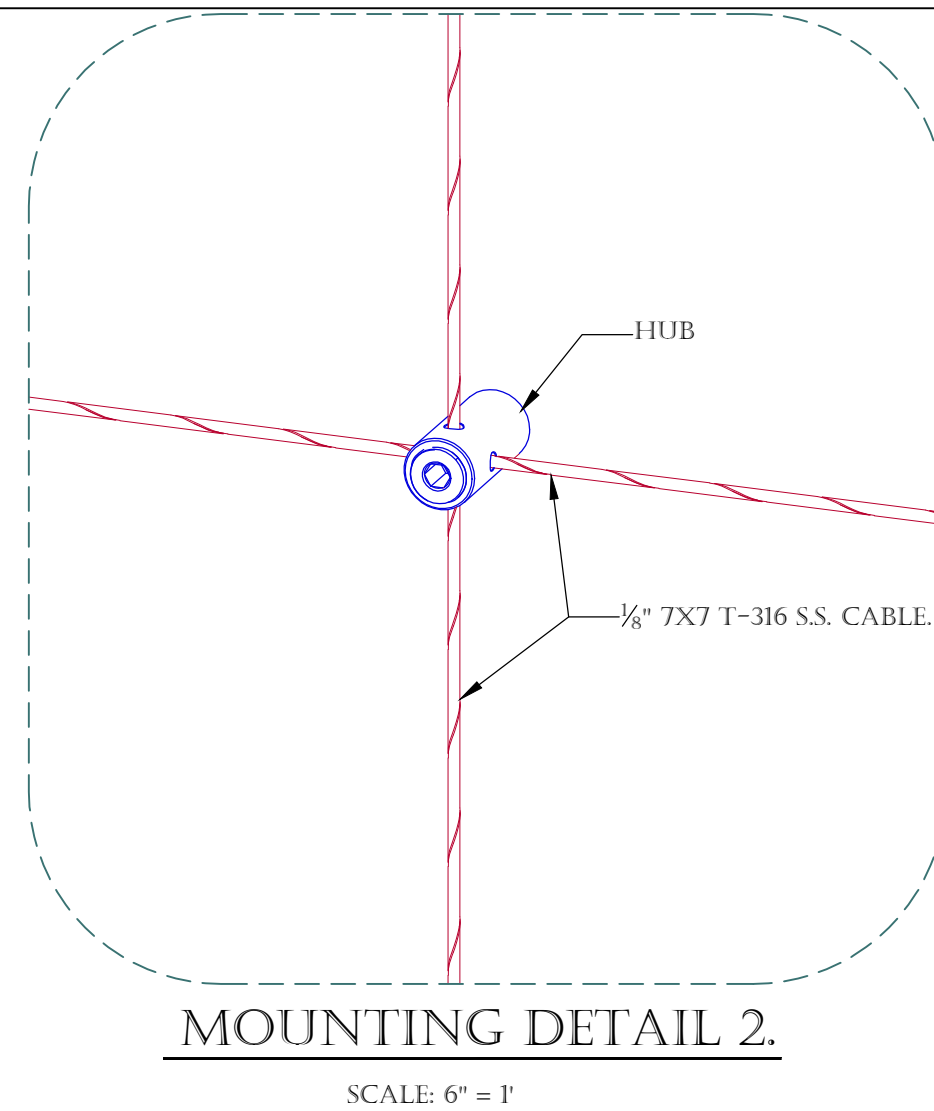
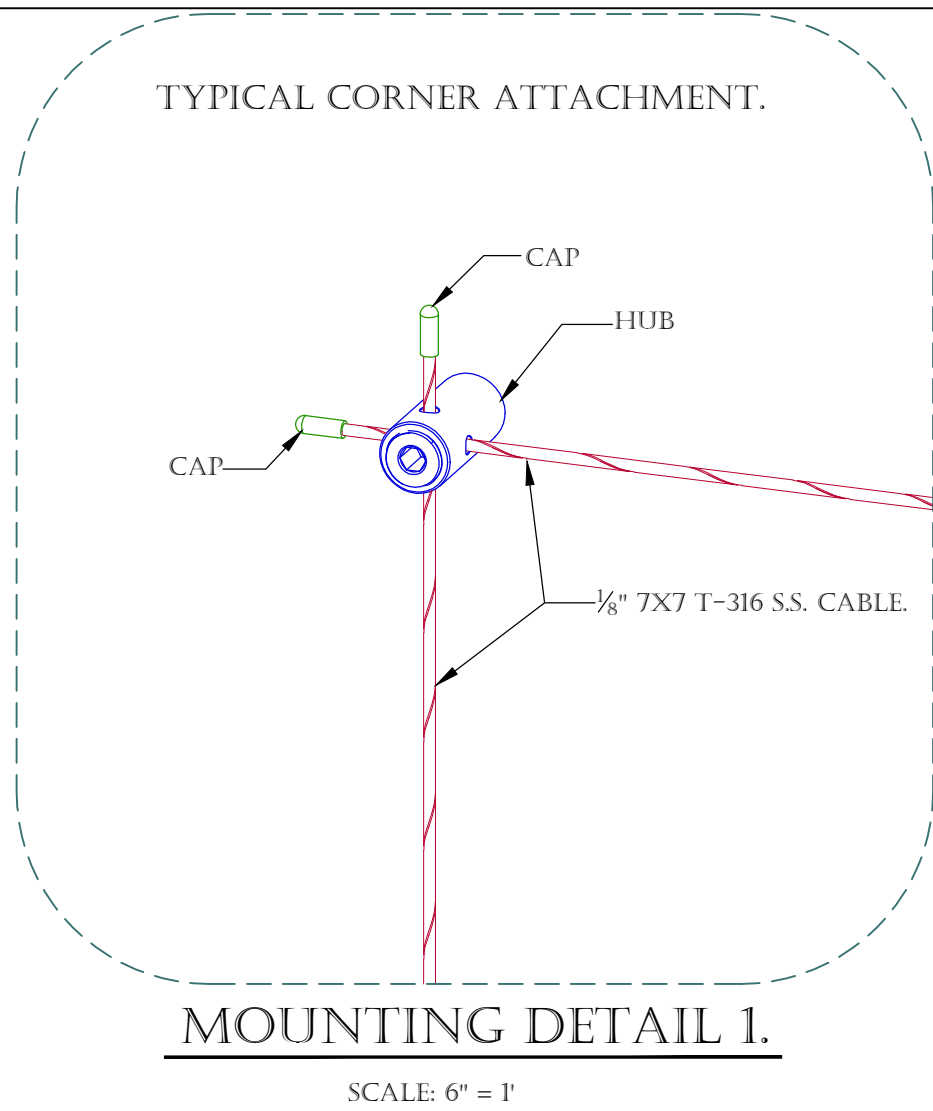
ALL MATERIALS TYPE 316 STAINLESS STEEL ALLOY .  
THIS KIT IS DESIGNED FOR A BRICK, BLOCK, PRECAST, OR WOOD WALL.



THE 6' X 6', 18" GRID KIT INCLUDES THE FOLLOWING:

**6' X 6' TRELLIS, 18" GRID.**

SCALE: 1 1/2" = 1'



PRODUCT:  
S.S. CABLE GREEN WALL/ HUB TRELLIS SYSTEM.

CONTENT:  
6' X 6' , 18" GRID STANDARD SYSTEM DETAILS.

DRAWN BY: KELLER, C.

DATE: 10-01-15 REV: 9-11-20

2111 34TH WAY  
LARGO, FL 33771  
PH: 727-536-1924  
FAX: 727-539-6314  
SALES@SECOOUTH.COM

Seco South