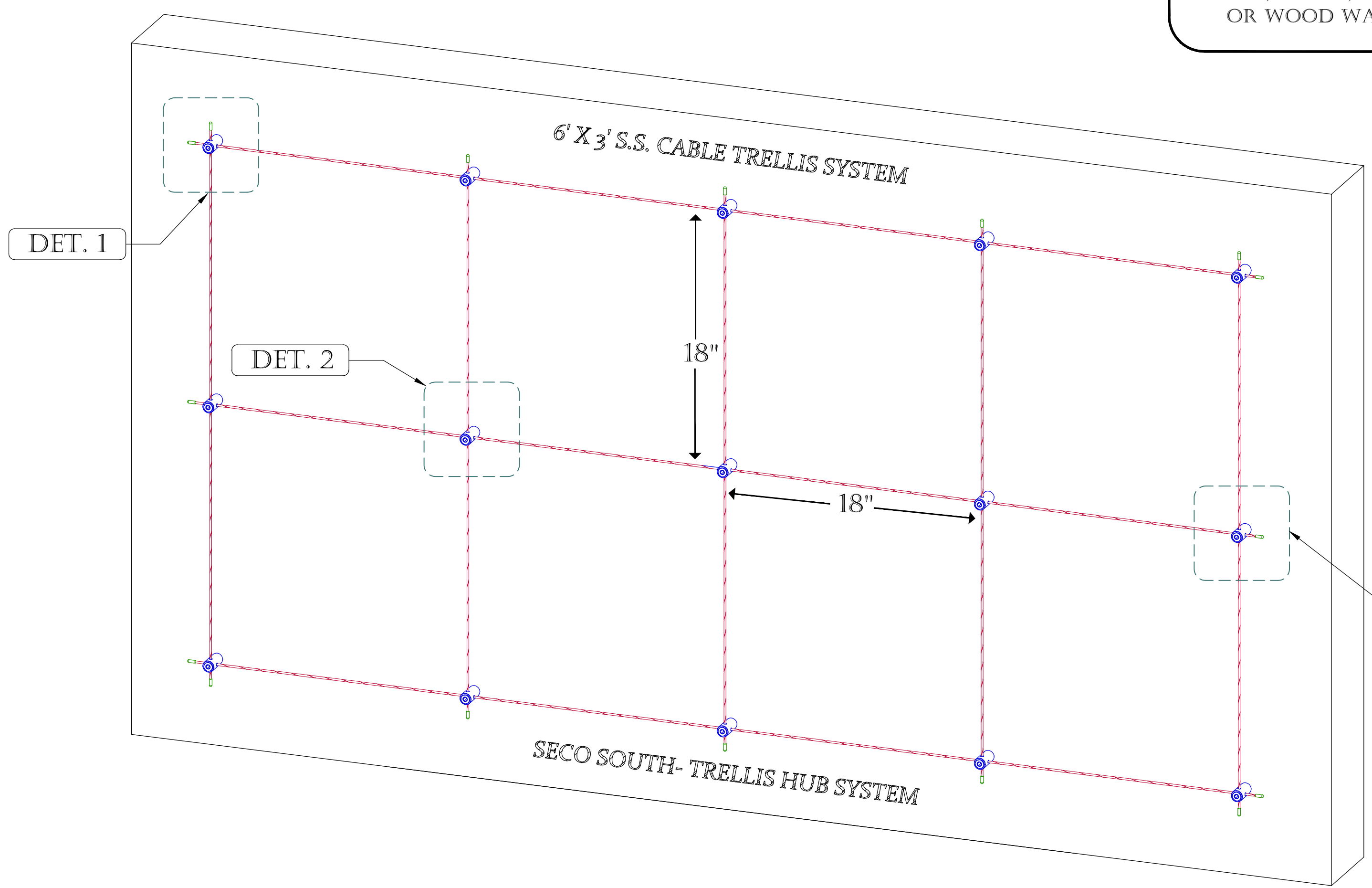
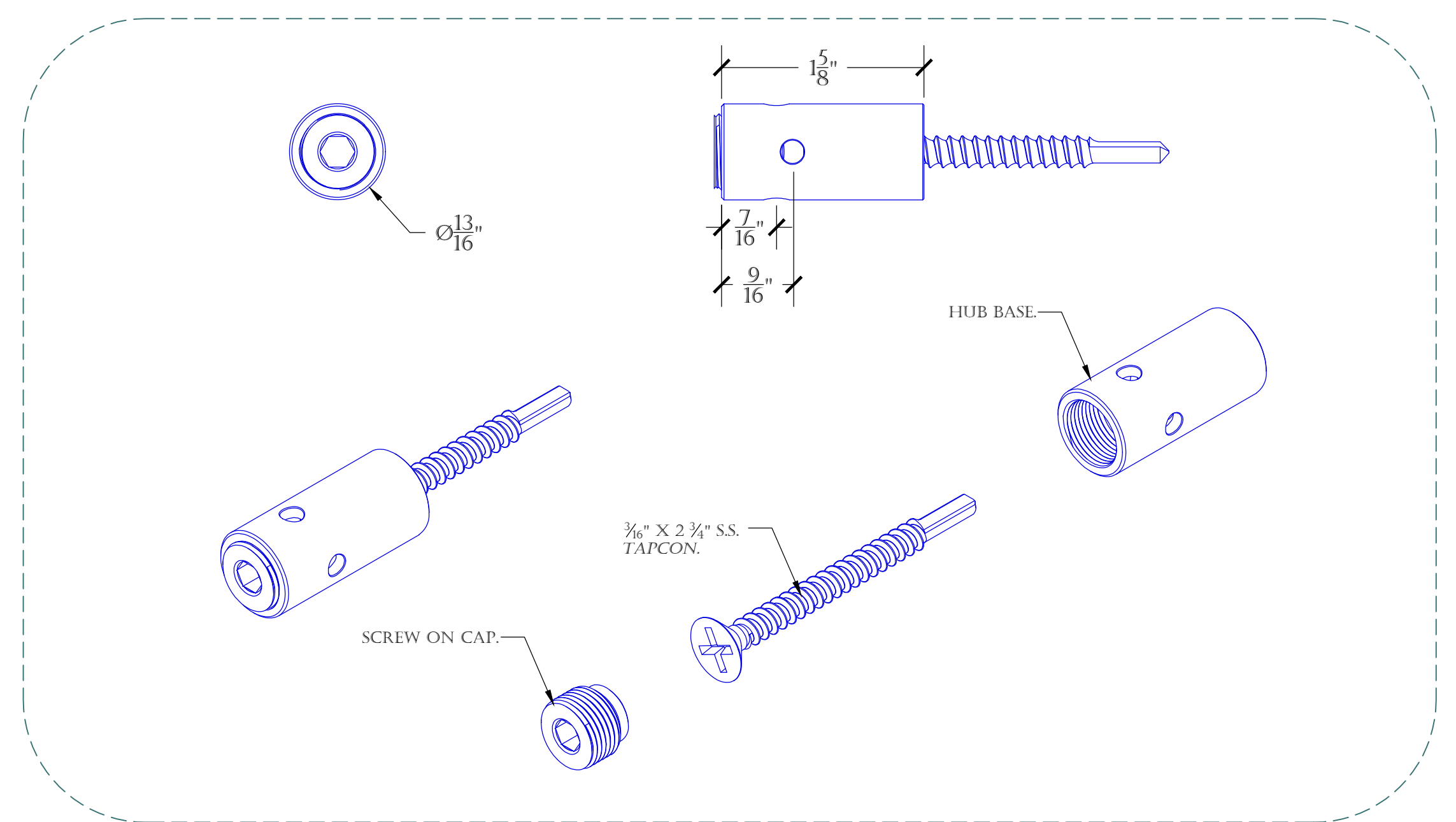


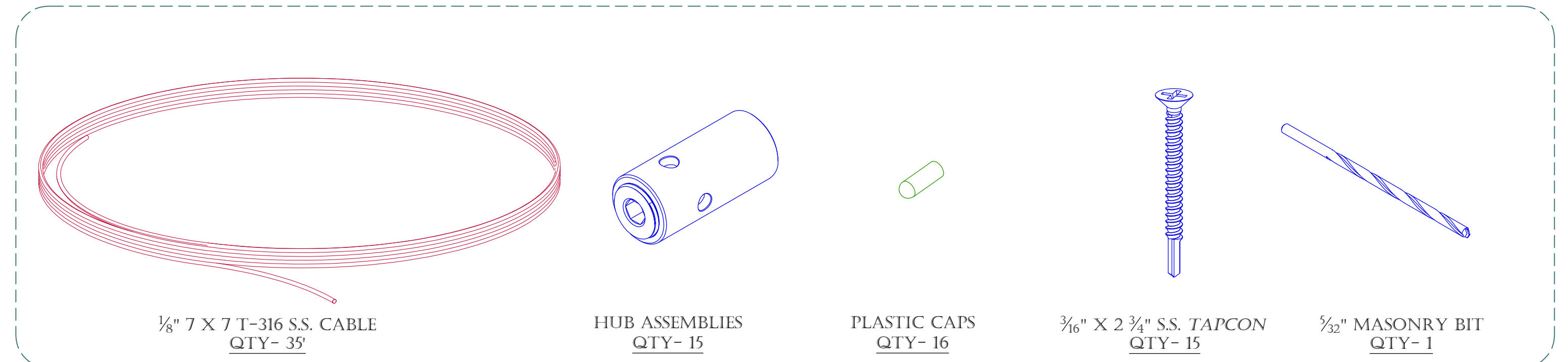
ALL MATERIALS TYPE 316 STAINLESS STEEL ALLOY .  
THIS KIT IS DESIGNED FOR A BRICK, BLOCK, PRECAST, OR WOOD WALL.



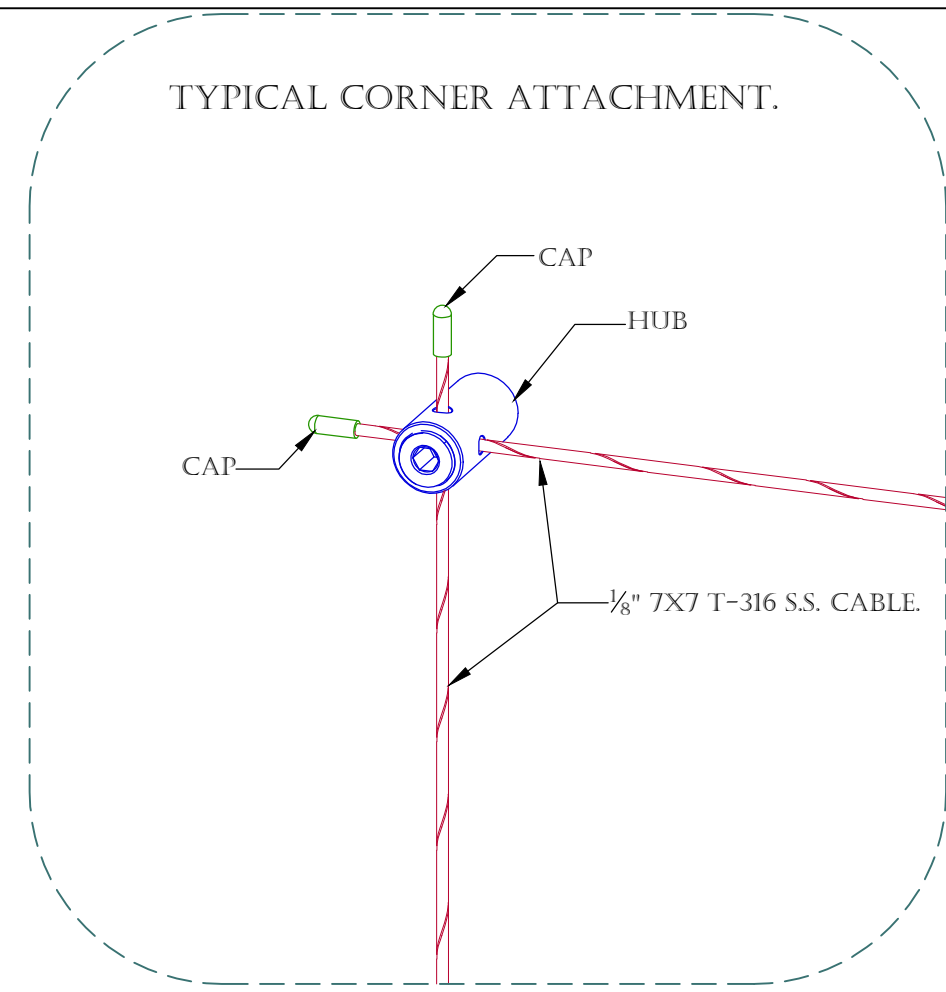
**6' X 3' TRELLIS, 18" GRID.**  
SCALE: 2" = 1'



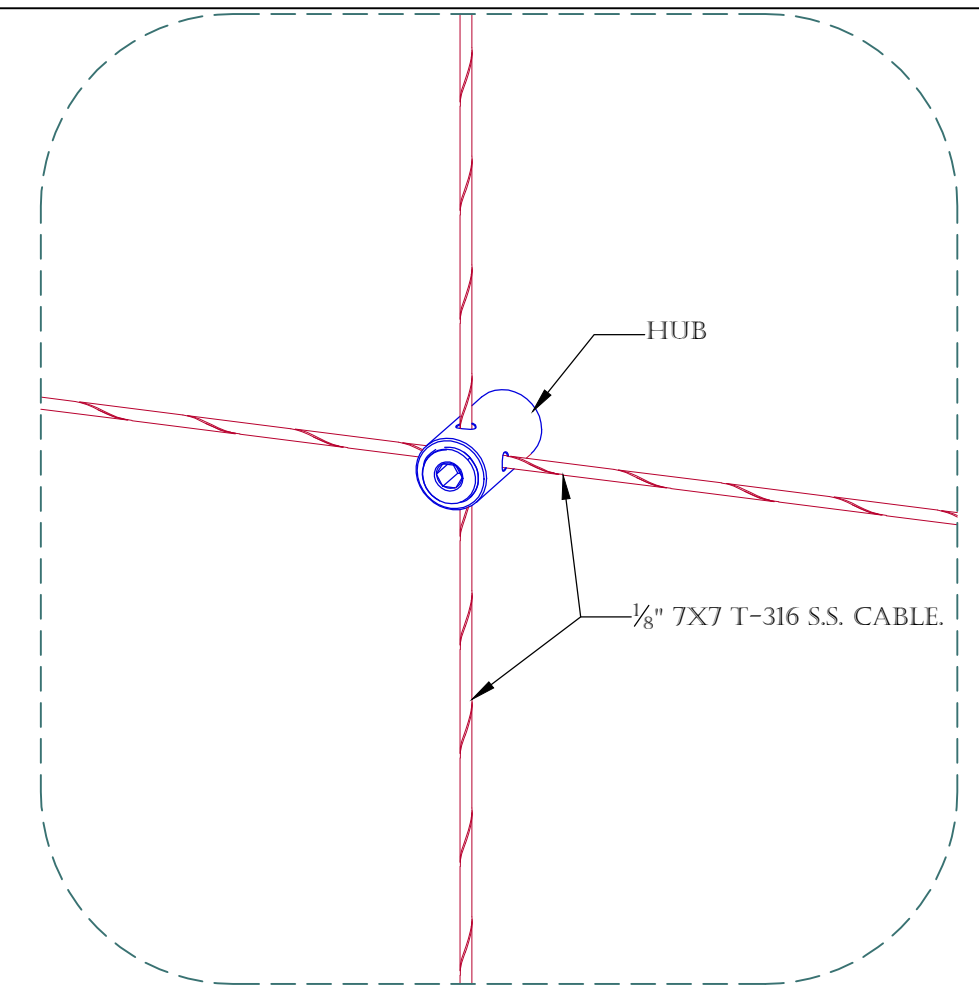
**HUB DETAIL.**  
SCALE: 1" = 1'



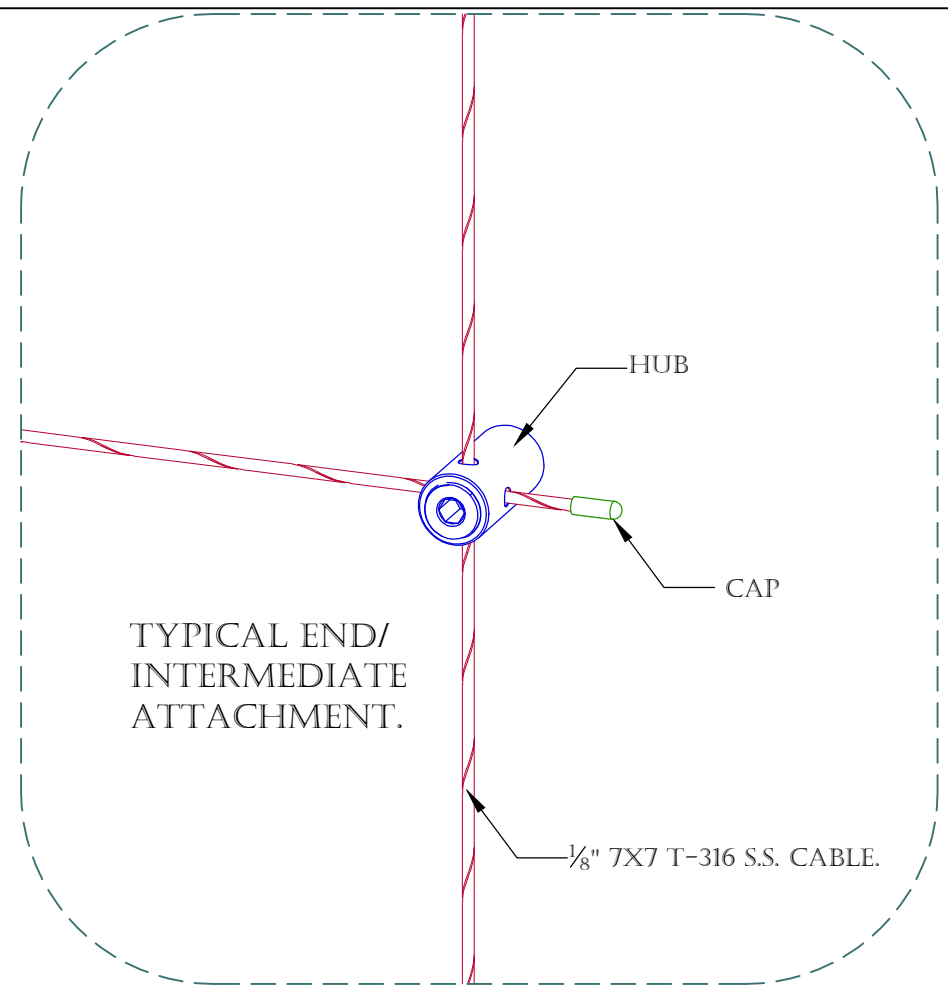
**THE 6' X 3', 18" GRID KIT INCLUDES THE FOLLOWING:**



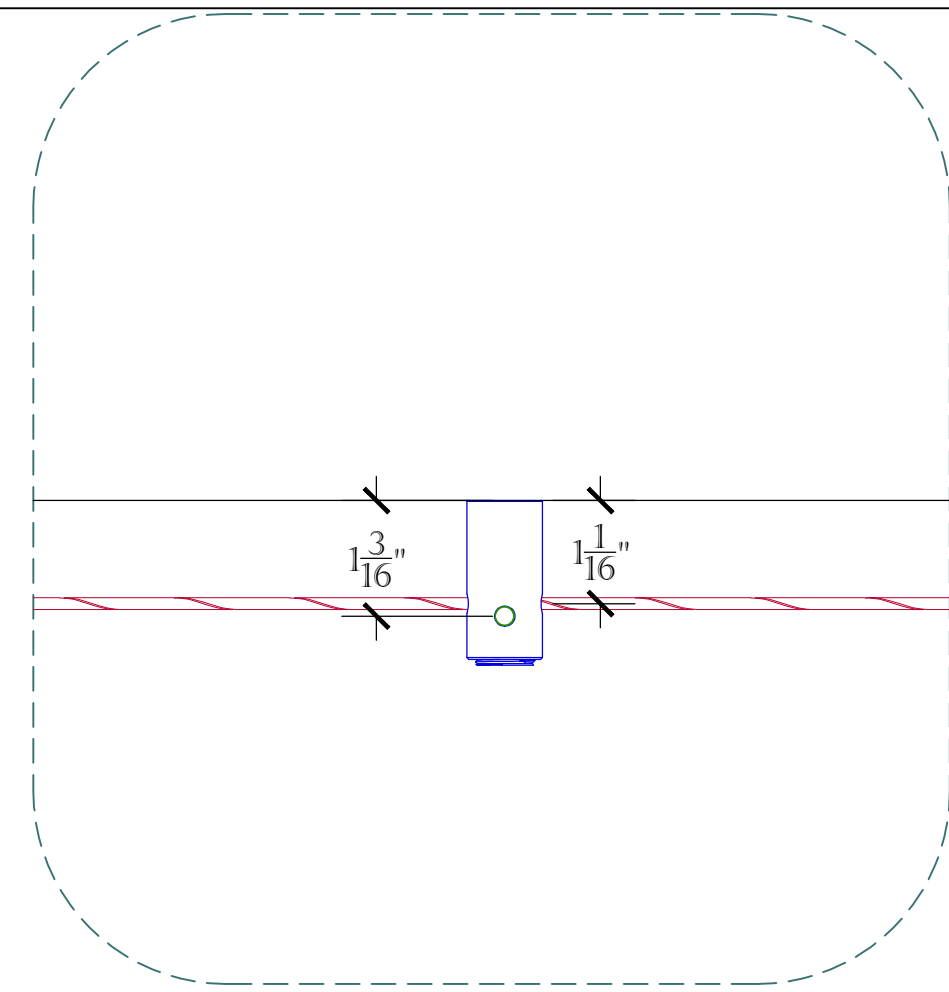
**MOUNTING DETAIL 1.**  
SCALE: 6" = 1'



**MOUNTING DETAIL 2.**  
SCALE: 6" = 1'



**MOUNTING DETAIL 3.**  
SCALE: 6" = 1'



**TOP VIEW DETAIL.**  
SCALE: 6" = 1'

PRODUCT: <b>S.S. CABLE GREEN WALL/ HUB TRELLIS SYSTEM.</b>		2111 34TH WAY LARGO, FL 33771 PH: 727-536-1924 FAX: 727-539-6314 SALES@SECOOUTH.COM	
CONTENT: <b>6' X 3', 18" GRID STANDARD SYSTEM DETAILS.</b>			
DRAWN BY: <b>KELLER, C.</b>			
DATE: <b>10-01-15</b>	REV: <b>9-11-20</b>		
<small>           PROPRIETARY AND CONFIDENTIAL.            THE INFORMATION CONTAINED IN THIS DRAWING IS THE SOLE PROPERTY OF SECO SOUTH INC. ANY REPRODUCTION IN PART OR AS A WHOLE WITHOUT THE WRITTEN PERMISSION OF SECO SOUTH INC. IS PROHIBITED.         </small>			