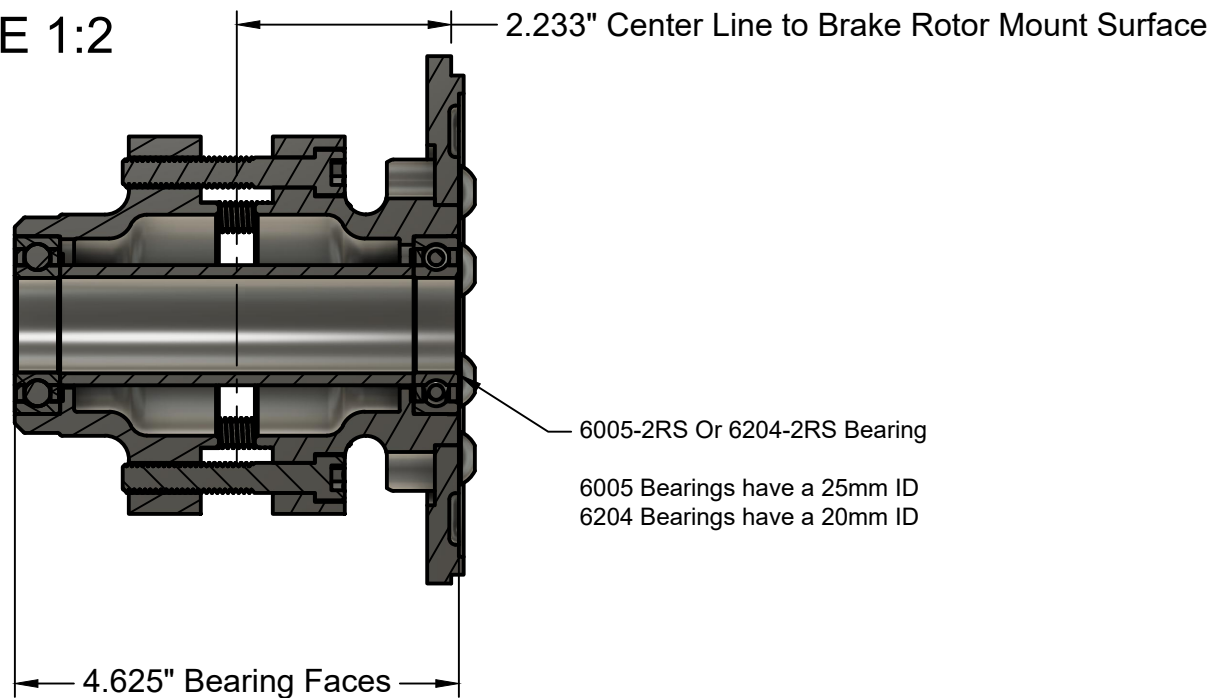


SECTION A-A  
SCALE 1:2



This hub assembly was designed to work with 2003 - 2004 R6 front forks, brake caliper, and rotor, when assembled with **7.750"** spread triple clamps.

If you're looking for a different offset for your application, contact us, we would love to help.

Lowery Racing TT Front Hubs are for off road use only.



PROJECT  
Flat Track Hubs

TITLE  
TT Front Hubs

APPROVED	SIZE	CODE	DWG NO	REV
CHECKED	B			
DRAWN Gabrielle Hughes 9/8/2021	SCALE 1:2	WEIGHT	SHEET 1/1	