



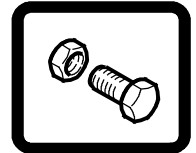
**FaST**  
Foam Scrubbing Technology  
*The Safe Scrubbing Alternative®*

# SPEED SCRUB®

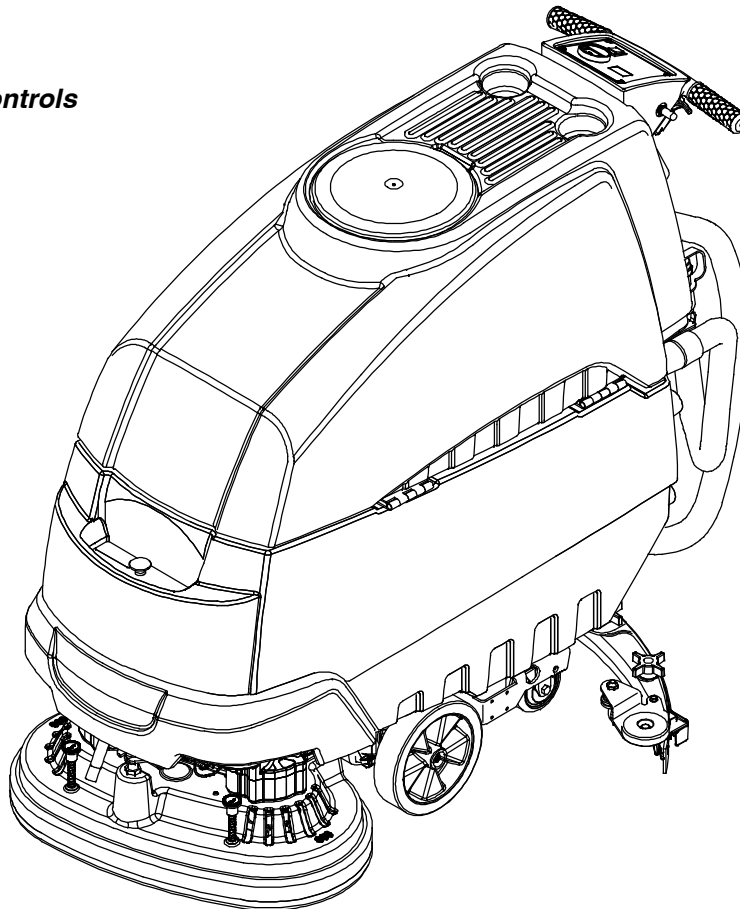
AUTOMATIC SCRUBBER



## PARTS MANUAL

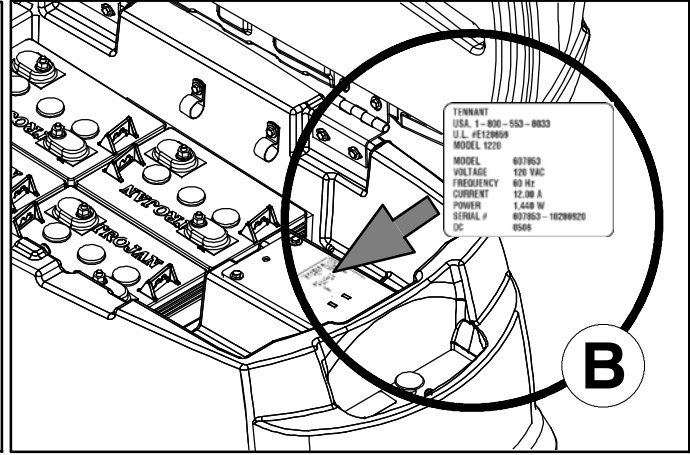
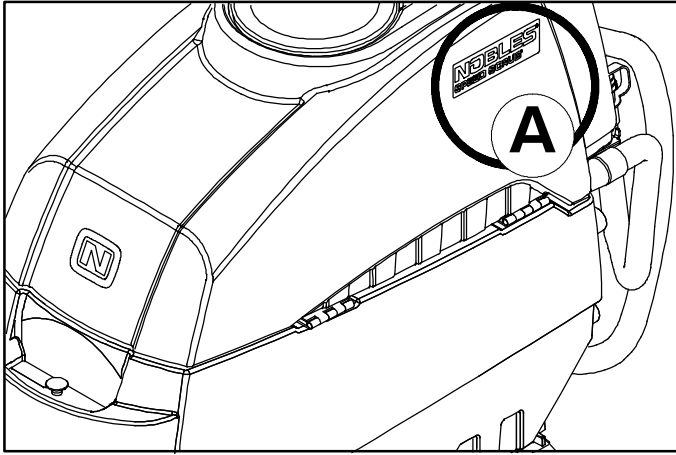


*Quick-Train™ Controls*



9002373  
Rev. 09 (11-2011)





Ref	Part No.	Serial Number	Description	Qty.
1	82681	(000000- )	Bracket Wldt, Lpg Mount	1
∇ 2	63810	(000000- )	Latch Assy, Lpg Tank Mtg, W/Nut	4
▲ 3	51839	(000000- )	Nut Adjustable, Lpg Tank Mtg	2
4	49263	(000000- )	Tie, Cable	3
	82556	(000000-001039)	Bracket, Vaporizer	1
	54930	(000000- )	Vaporizer, LPG	1

**HOW TO ORDER PARTS - See diagram above**

Only use TENNANT Company supplied or equivalent parts. Parts and supplies may be ordered online, by phone, by fax or by mail.

Follow the steps below to ensure prompt delivery.

1. **(A)** Identify the machine model.
2. **(B)** Identify the machine serial number from the data label.
3. **(C)** Ensure the proper serial number is used from the parts list.
4. Identify the part number and quantity. Do not order by page or reference numbers.
5. Provide your name, company name, customer ID number, billing and shipping address, phone number and purchase order number.
6. Provide detail shipping instructions.

- (D)** ∇ - identifies an assembly  
 ▲ - identifies parts included in assembly

**Please fill out at time of installation for future reference.**

Model No. - \_\_\_\_\_

Serial No. - \_\_\_\_\_

Machine Options - \_\_\_\_\_

Sales Rep. - \_\_\_\_\_

Sales Rep. phone no. - \_\_\_\_\_

Customer ID Number - \_\_\_\_\_

Installation Date - \_\_\_\_\_

**Tennant Company**



FaST-PAK is a US registered and unregistered trademark of Tennant Company.

Specifications and parts are subject to change without notice.

Copyright © 2006-2011 TENNANT Company, Printed in U.S.A.

<p>GENERAL RECOMMENDED MAINTENANCE ITEMS ..... 4</p> <p><b>STANDARD PARTS</b></p> <p>REPLACEMENT BRUSHES ..... 10</p> <p>PAD DRIVER GROUP ..... 12</p> <p>RECOVERY TANK GROUP ..... 14</p> <p>VACUUM MOTOR GROUP ..... 16</p> <p>SOLUTION TANK GROUP ..... 18</p> <p>CONTROL CONSOLE GROUP ..... 20</p> <p>COMPONENT PANEL GROUP ..... 22</p> <p>FRAME GROUP ..... 24</p> <p>SCRUB HEAD GROUP, DISK 24 in / 600 mm ... 26</p> <p>SCRUB HEAD GROUP, DISK 28 in / 700 mm ... 30</p> <p>SCRUB HEAD GROUP, DISK 32 in / 800 mm ... 34</p> <p>SCRUB HEAD GROUP, CYLINDRICAL 26 in / 650 mm ..... 38</p> <p>SCRUB HEAD GROUP, CYLINDRICAL 32 in / 800 mm ..... 42</p> <p>SCRUBHEAD LIFT GROUP ..... 46</p> <p>SOLUTION GROUP, FaST MODEL ..... 48</p> <p>9008847 FAST INJECTOR ASSEMBLY BREAKDOWN (S/N 10538043- ), 600 mm DISK &amp; 650 mm CYLINDRICAL MODELS ..... 52</p> <p>9003907 FAST INJECTOR ASSEMBLY BREAKDOWN (S/N 10348538-10538042) 600 mm DISK &amp; 650 mm CYLINDRICAL MODELS ..... 53</p> <p>9003908 FAST INJECTOR ASSEMBLY BREAKDOWN (S/N 10347532- ) 700 mm / 800 mm DISK &amp; 800 mm CYLINDRICAL MODELS ..... 54</p> <p>9003812 FAST INJECTOR ASSEMBLY BREAKDOWN (S/N 00000000-10347531) 700 mm / 800 mm DISK &amp; 800 mm CYLINDRICAL MODELS ..... 55</p> <p>9003810 FAST INJECTOR ASSEMBLY BREAKDOWN (S/N 00000000-10348537) 600 mm DISK &amp; 650 mm CYLINDRICAL MODELS ..... 56</p>	<p>SOLUTION GROUP, ec-H2O MODEL ..... 58</p> <p>ec-H2O MODULE ASSEMBLY BREAKDOWN, 9007970 (S/N 10448305- ) ..... 62</p> <p>ec-H2O MODULE ASSEMBLY BREAKDOWN, 9006161 (S/N 10378380-10448304) ..... 64</p> <p>SOLUTION GROUP, STANDARD MODEL ..... 66</p> <p>SQUEEGEE LIFT GROUP ..... 68</p> <p>SQUEEGEE GROUP, 20 in / 500 mm ..... 70</p> <p>SQUEEGEE GROUP, 24 in / 600 mm ..... 72</p> <p>SQUEEGEE GROUP, 26 in / 650 mm &amp; 28 in / 700 mm ..... 74</p> <p>SQUEEGEE GROUP, 32 in / 800 mm ..... 76</p> <p>BATTERY GROUP, MAINTENANCE FREE 200 Ah .. 78</p> <p>BATTERY GROUP, LEAD-ACID 235 Ah ..... 79</p> <p>ON-BOARD CHARGER GROUP - 120V (S/N 10409250- ) ..... 80</p> <p>ON-BOARD CHARGER GROUP - 120V (S/N 00000000-10409249) ..... 82</p> <p>ELECTRICAL DIAGRAM, STANDARD &amp; FaST MODEL ..... 84</p> <p>ELECTRICAL DIAGRAM, ec-H2O MODEL ..... 86</p> <p>WIRE HARNESS GROUP, ec-H2O OPTION (S/N 10455033- ) ..... 88</p> <p>WIRE HARNESS GROUP, ec-H2O OPTION (S/N 00000000-10455032) ..... 90</p> <p>WIRE HARNESS GROUP, FAST OPTION ..... 92</p> <p>WIRE HARNESS GROUP, FRAME ..... 93</p> <p>WIRE HARNESS GROUP, WAND OPTION .... 94</p> <p>WIRE HARNESS GROUP, MAIN ..... 95</p> <p><b>OPTIONS</b></p> <p>WAND PUMP KIT ..... 98</p> <p>DELUXE POWER WAND GROUP ..... 100</p> <p>OFF-BOARD CHARGER GROUP ..... 102</p> <p>BUMPER WHEEL KIT ..... 104</p> <p>POWER WAND HOSE GROUP ..... 106</p> <p>DOCUMENTATION GROUP ..... 107</p> <p>OPTIONAL WHEEL KIT ..... 108</p>
---	--

# RECOMMENDED MAINTENANCE ITEMS

## GENERAL RECOMMENDED MAINTENANCE ITEMS

Ref.	Part No.	Serial Number	Description	Qty.
	1017959	(00000000-	) Seal, Bulb, Str, 0.50h .50w 032.0l, Adh	1
▽	1043538	(00000000-	) Hose Assy, Drain, 1.50id X 29.5l, Blk	1
▲▽	1008639	(00000000-	) Cap, Drain Assy	1
▲▲	1019563	(00000000-	) Strap, Cap, Drain	1
▲▲	1008637	(00000000-	) Seal, Org, 1.48id 1.76od	1
	630255	(00000000-	) Gasket, Float, Mount	1
	630052	(00000000-	) Float, Shut-Off, (2)Ball, 1.75d	1
▽	1025106	(00000000-	) Fan, Vacuum, 5.7d, 3s, 24vdc, Us	1
▲	190163	(00000000-	) Brush, Carbon, Motor, Ele [1pick=1pkg]	1
	100038	(00000000-	) Gasket, Vacuum Mtr 5.7 Epdm W/Psa	1
	606146	(00000000-	) Screen, Fltr, Soltn Fill, Nat	1
	86379	(00000000-	) Fuse, 100a 125volt 0.88 X 3.2l	1
	1049048	(00000000-	) Caster, Swivel, 4.0d 1.4w, 4hole [400lb]	2
	614166	(00000000-	) Brush Kit, Carbon [Qty 4] (For Transaxle Motor 1031723)	1
	1031775	(00000000-	) Brush, Brush-Motor, Afmkt (For Disk Scrub Head Motor 1023067)	1
	1035888	(10338658-	) Belt, Drive, 6Grv, 508l X 14w, [6P]	2
	377500	(00000000-10338657	) Belt,Synchronous, 500l,15mm [05p,Plychn]	2
	1022401	(00000000-	) Gasket, Cover, Belt	2
	1049739	(10419662-	) Brush Kit, Carbon, Motor, Replmt [4pcs]	2
	190152	(00000000-10419661	) Brush, Carbon [Pk=4]	2
	1025272	(00000000-	) Skirt, Tray, Debris, 65cm	1
	1025273	(00000000-	) Skirt, Tray, Debris, 80cm	1
	1017015	(00000000-	) Detergent, Pkg, 2 Liter, Sgl [365]	1
	1017022	(00000000-	) Detergent, Pkg, 2 Liter, Sgl [665]	1
▽	1005302	(00000000-	) Filter, In-Line, Pf06/Pf06, 80 Mesh	1
▲	1005304	(00000000-	) Screen, Fltr, 80 Mesh	1
▲	613992	(00000000-	) Gasket [Viton, F/1005302]	1
	1008675	(00000000-	) Gasket, Edge, Foam, 24.00l [Fr]	1
	1024105	(00000000-	) Cable, Lift, Sqge	1
	578074000	(00000000-	) Blade, Sqge, 300.8mml, Wand (Optional Power Wand)	2
▽	9004459	(00000000-	) Wheel Kit, Bumper, Retrofit [T5]	1
▲	614317	(00000000-	) Wheel, 04.0d 1.00w 0.38b, Rbr, Gray	2
▲	1014918	(00000000-	) Wheel, 03.0d 0.88w 0.31b, W/ Bshg, Rbr	2
▽	9004903	(00000000-	) Wheel Kit, Pneumatic, Ci [T5 T5e Ss5]	1
▲	1059452	(00000000-	) Tire Assy, Pneu, Grey, 2.8/2.5-04 2.75bc	2
▽	9004904	(00000000-	) Wheel Kit, Foam Filled, Ci [T5 T5e Ss5]	1
▲	1068472	(00000000-	) Tire Assy, Foam, Hi-Dns, Grey,2.8/2.5-04	2

## RECOMMENDED MAINTENANCE ITEMS

### CYLINDRICAL 26 in / 650 mm MODEL RECOMMENDED MAINTENANCE ITEMS

Ref.	Part No.	Serial Number	Description	Qty.
	399251	(00000000-	) Brush, Scb, Cyl, 26l, 18 Sr, Nyl (Soft Nylon)	2
	399252	(00000000-	) Brush, Scb, Cyl, 26.0l, Poly (Medium Polypropylene)	2
	399253	(00000000-	) Brush, Scb, Cyl, 26.0l, Hd Poly (Stiff Polypropylene)	2
	399254	(00000000-	) Brush, Scb, Cyl, 26.0l, Abr (Abrasive)	2
	1060864	(00000000-	) Brush, Scb, Cyl, 26l, 18sr, Abr, Spl (Abrasive - Light Duty)	2

### CYLINDRICAL 32 in / 800 mm MODEL RECOMMENDED MAINTENANCE ITEMS

Ref.	Part No.	Serial Number	Description	Qty.
	222308	(00000000-	) Brush, Scb, Cyl, 32l, 18 Sr, Nyl, Spl (Soft Nylon)	2
	374042	(00000000-	) Brush, Scb, Cyl, 32l, 18 Sr, Pyp ,Spl (Medium Polypropylene)	2
	222307	(00000000-	) Brush, Scb, Cyl, 32l, 18 Sr, Pyp Grout, Spl (Stiff Polypropylene)	2
	222309	(00000000-	) Brush, Scb, Cyl, 32l, 18 Sr, Abr, Spl (Abrasive)	2

### DISK 24 in / 600 mm MODEL RECOMMENDED MAINTENANCE ITEMS

Ref.	Part No.	Serial Number	Description	Qty.
	1025094	(00000000-	) Brush Assy, Disk, Scb, 11.90d, Nyl (Soft Nylon)	2
	1025095	(00000000-	) Brush Assy, Disk, Scb, 11.90d, Pyp (Medium Polypropylene)	2
	1025096	(00000000-	) Brush Assy, Disk, Scb, 11.9d, Sab (Abrasive)	2
	21852	(00000000-	) Bracket, Retainer, Spring	2
	21853	(00000000-	) Spring, Wir, 0.16d, Brush Retaining (12" Brush Assy)	1
	370095	(00000000-	) Device, Centering, Clip-On, Teal, Gf Pp	1
	385940	(00000000-	) Pad, Polish, 12.0d, White [1pad=1pc] (Polishing)	2
	385941	(00000000-	) Pad, Buff, 12.0d, Red [1pad=1pc] (Light Scrubbing & Buffing)	2
	385942	(00000000-	) Pad, Scb, 12.0d, Blu [1pick = 1 Pad] (Blue) (Medium Scrubbing)	2
	385943	(00000000-	) Pad, Stripping, 12.0d, Brown [1pad=1pc] (Deep Scrubbing & Stripping)	2
	1051020	(00000000-	) Pad, Surf Prep, 12.0d [Mar, 1pick=1pad] (Maroon) (Surface Preparation)	2

## RECOMMENDED MAINTENANCE ITEMS

---

### DISK 28 in / 700 mm MODEL RECOMMENDED MAINTENANCE ITEMS

Ref.	Part No.	Serial Number	Description	Qty.
399246		(00000000-	) Brush, Disk, Scr, 13.90d, Assy, Nyl (Soft Nylon)	2
399247		(00000000-	) Brush, Disk, Scr, 13.90d, Assy, Pyp (Medium Polypropylene)	2
399245		(00000000-	) Brush, Disk, Scr, 13.90d, Assy, Sab (Abrasive)	2
21852		(00000000-	) Bracket, Retainer, Spring	2
1028905		(00000000-	) Spring, Wir, 0.16d, Brush Retaining, (14" & 16" Brush Assy)	1
370095		(00000000-	) Device, Centering, Clip-On, Teal, Gf Pp	1
222324		(00000000-	) Pad, Polish, 14.0d, White [1pad=1pc] (Polishing)	2
222325		(00000000-	) Pad, Buff, 14.0d, Red (Light Scrubbing & Buffing)	2
222326		(00000000-	) Pad, Scb, 14.0d, Blu [1pad=1pc] (Blue) (Medium Scrubbing)	2
222327		(00000000-	) Pad, Stripping, 14.0d, Brown [1pad=1pc] (Deep Scrubbing & Stripping)	2
1051026		(00000000-	) Pad, Surf Prep, 14.0d [Mar, 1pick=1pad] (Maroon) (Surface Preparation)	2

### DISK 32 in / 800 mm MODEL RECOMMENDED MAINTENANCE ITEMS

Ref.	Part No.	Serial Number	Description	Qty.
399243		(00000000-	) Brush, Disk, Scr, 15.9d, Assy, Nyl (Soft Nylon)	2
399244		(00000000-	) Brush, Disk, Scr, 15.9d, Assy, Pyp (Medium Polypropylene)	2
399242		(00000000-	) Brush, Disk, Scr, 15.9d, Assy, Sab (Abrasive)	2
21852		(00000000-	) Bracket, Retainer, Spring	2
1028905		(00000000-	) Spring, Wir, 0.16d, Brush Retaining, (14" & 16" Brush Assy)	1
370095		(00000000-	) Device, Centering, Clip-On, Teal, Gf Pp	1
63248-4		(00000000-	) Pad, Polish, 16.0d, White [1pad=1pc] (Polishing)	2
63248-3		(00000000-	) Pad, Buff, 16.0d, Red (Light Scrubbing & Buffing)	2
63248-2		(00000000-	) Pad, Scb, 16.0d, Blu [1pad=1pc] (Blue) (Medium Scrubbing)	2
63248-1		(00000000-	) Pad, Stripping, 16.0d, Brown [1pad=1pc] (Deep Scrubbing & Stripping)	2
1051027		(00000000-	) Pad, Surf Prep, 16.0d [Mar, 1pick=1pad] (Maroon) (Surface Preparation)	2

## RECOMMENDED MAINTENANCE ITEMS

### SQUEEGEE GROUP, 20 in / 500 mm, RECOMMENDED MAINTENANCE ITEMS

Ref.	Part No.	Serial Number	Description	Qty.
▽	9001178	(00000000-	) Squeegee Assy Kit, 500mm, Ci	1
▲	1010560	(00000000-	) Wheel, Bmpr, 80d X 25w, Non-Marking	2
▲	1006343	(00000000-	) Caster, Swivel, 50mmd, M10 X 30 Stem, PI	2
▲	1010558	(00000000-	) Knob, Star, 2.00d 4ear 0.7l M8x1.25 Thru	4
▲	1011232	(00000000-	) Blade, Sqge, Front, 500mml (Linatex Red Standard)	1
	1014091	(00000000-	) Blade, Sqge, Front, 500mm, Gum (Gum Rubber Tan Optional)	1
	1014092	(00000000-	) Blade, Sqge, Front, 500mml, Oil-Rstn (Polyurethane Natural Optional)	1
▲	1011456	(00000000-	) Blade, Sqge, Rear, 500mm Linatex (Linatex Red Standard)	1
	1014093	(00000000-	) Blade, Sqge, Rear, 500mm Gum (Gum Rubber Tan Optional)	1
	1014094	(00000000-	) Blade, Sqge, Rear, 500mm Oil-Rstn (Polyurethane Natural Optional)	1
▲	1013933	(00000000-	) Strap Assy, Sqge, 500mm	1
	1014026	(00000000-	) Hose, Vacuum, 1.5d X 57l, 2-Short Cuffs	1

### SQUEEGEE GROUP, 24 in / 600 mm, RECOMMENDED MAINTENANCE ITEMS

Ref.	Part No.	Serial Number	Description	Qty.
▽	9002679	(00000000-	) Kit, Squeegee, 600mm Ci	1
▲	1010560	(00000000-	) Wheel, Bmpr, 80d X 25w, Non-Marking	2
▲	1006343	(00000000-	) Caster, Swivel, 50mm D, M10 X 30 Stem, Zn	2
▲	1015911	(00000000-	) Knob, Star, 2.75d 4ear 1.1l M8x1.25 Thru	4
▲	1021804	(00000000-	) Blade, Sqge, Front, 88cml [Lnx, 60cm] (Linatex Red Standard)	1
	1025333	(00000000-	) Blade, Sqge, Front, 88cml, Gum [60cm] (Gum Rubber Tan Optional)	1
	1025334	(00000000-	) Blade, Sqge, Front, 88cml, Ure [60cm] (Polyurethane Natural Optional)	1
▲	630477	(00000000-	) Wheel, Pyu, 2.0d 0.38w, Gray	1
▲	1021333	(00000000-	) Blade, Sqge, Rear, 88cm, Linatex [60cm] (Linatex Red Standard)	1
	1025335	(00000000-	) Blade, Sqge, Rear, 88cml, Gum [60cm] (Gum Rubber Tan Optional)	1
	1025336	(00000000-	) Blade, Sqge, Rear, 88cm, Ure [60cm] (Polyurethane Natural Optional)	1
	1014026	(00000000-	) Hose, Vacuum, 1.5d X 57l, 2-Short Cuffs	1

## RECOMMENDED MAINTENANCE ITEMS

### SQUEEGEE GROUP, 26 in / 650 mm & 28 in / 700 mm RECOMMENDED MAINTENANCE ITEMS

Ref.	Part No.	Serial Number	Description	Qty.
▽	9002680	(00000000-	) Kit, Squeegee, 700mm Ci	1
▲	1010560	(00000000-	) Wheel, Bmpr, 80d X 25w, Non-Marking	2
▲	1006343	(00000000-	) Caster, Swivel, 50mm D, M10 X 30 Stem,Zn	2
▲	1015911	(00000000-	) Knob, Star, 2.75d 4ear 1.1l M8x1.25 Thru	4
▲	1023327	(00000000-	) Blade, Sqge, Front, 98cml [Lnx, 70cm] (Linatex Red Standard)	1
	1025337	(00000000-	) Blade, Sqge, Front, 98cml, Gum [70cm] (Gum Rubber Tan Optional)	1
	1025339	(00000000-	) Blade, Sqge, Front, 98cml, Ure [70cm] (Polyurethane Natural Optional)	1
▲	630477	(00000000-	) Wheel, Pyu, 2.0d 0.38w, Gray	1
▲	1023329	(00000000-	) Blade, Sqge, Rear, 98cm,Linatex[70cm] (Linatex Red Standard)	1
	1025340	(00000000-	) Blade, Sqge, Rear, 98cml, Gum [70cm] (Gum Rubber Tan Optional)	1
	1025341	(00000000-	) Blade, Sqge, Rear, 98cm, Ure [70cm] (Polyurethane Natural Optional)	1
	1014026	(00000000-	) Hose, Vacuum, 1.5d X 57l, 2-Short Cuffs	1

### SQUEEGEE GROUP, 32 in / 800 mm, RECOMMENDED MAINTENANCE ITEMS

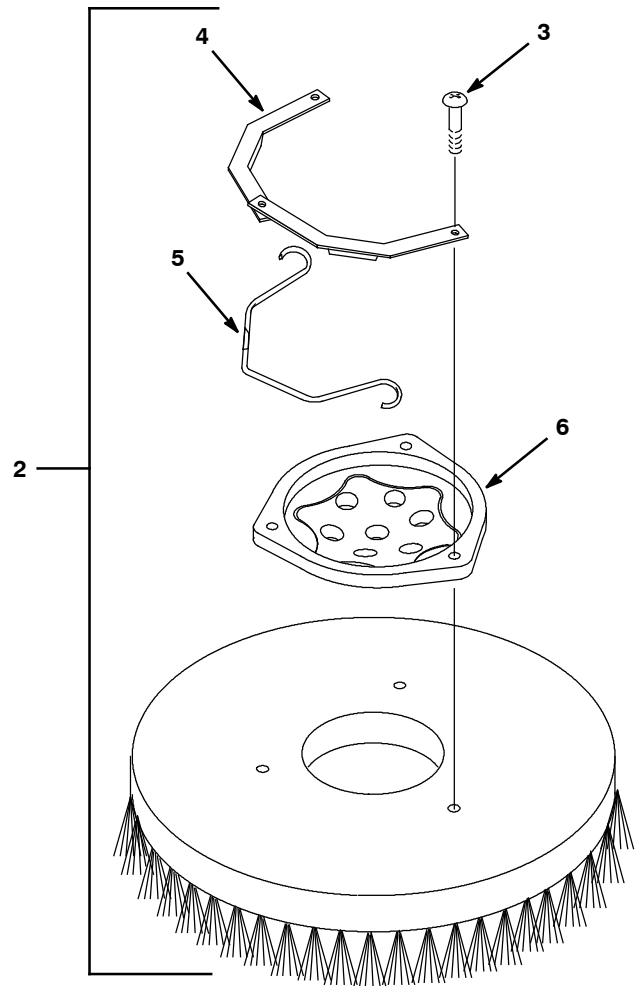
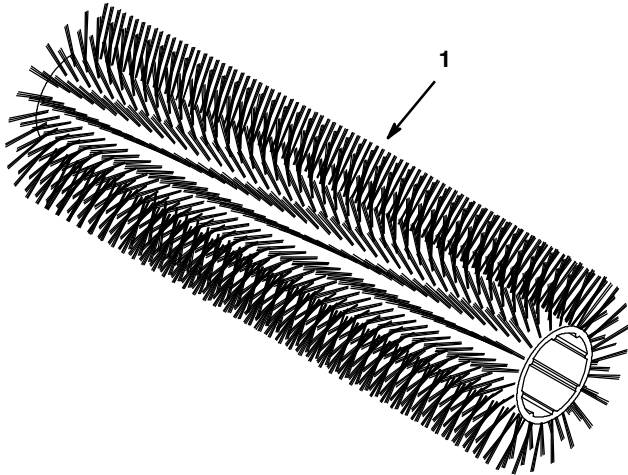
Ref.	Part No.	Serial Number	Description	Qty.
▽	9002681	(00000000-	) Kit, Squeegee, 800mm Ci	1
▲	1010560	(00000000-	) Wheel, Bmpr, 80d X 25w, Non-Marking	2
▲	1006343	(00000000-	) Caster, Swivel, 50mm D, M10 X 30 Stem,Zn	2
▲	1015911	(00000000-	) Knob, Star, 2.75d 4ear 1.1l M8x1.25 Thru	4
▲	1023398	(00000000-	) Blade, Sqge, Front, 105cm [Linx 80cm] (Linatex Red Standard)	1
	1025342	(00000000-	) Blade, Sqge, Front, 105cml, Gum[80cm] (Gum Rubber Tan Optional)	1
	1025343	(00000000-	) Blade, Sqge, Front, 105cm, Ure [80cm] (Polyurethane Natural Optional)	1
▲	630477	(00000000-	) Wheel, Pyu, 2.0d 0.38w, Gray	1
▲	1023399	(00000000-	) Blade, Sqge, Rear, 105cml[Linx, 80cm] (Linatex Red Standard)	1
	1025344	(00000000-	) Blade, Sqge, Rear, 105cml, Gum [80cm] (Gum Rubber Tan Optional)	1
	1025346	(00000000-	) Blade, Sqge, Rear, 105cml, Ure [80cm] (Polyurethane Natural Optional)	1
	1014026	(00000000-	) Hose, Vacuum, 1.5d X 57l, 2-Short Cuffs	1



**RECOMMENDED MAINTENANCE ITEMS**

---

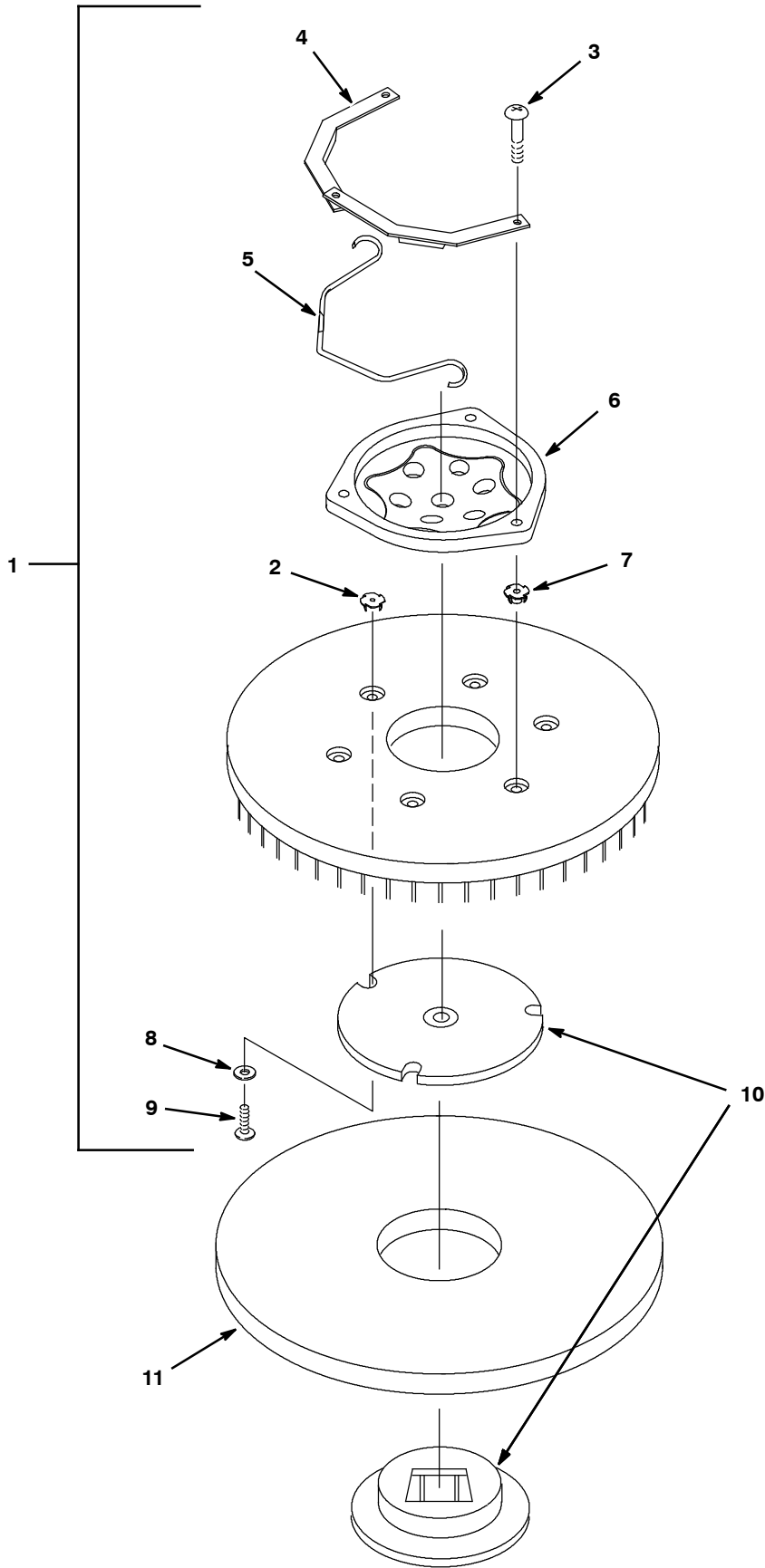
REPLACEMENT BRUSHES



## REPLACEMENT BRUSHES

Ref.	Part No.	Serial Number	Description	Qty.
1	399251	(00000000-	) Brush, Scb, Cyl, 26l, 18 Sr, Nyl (Soft Nylon)	2
1	399252	(00000000-	) Brush, Scb, Cyl, 26.0l, Poly (Medium Polypropylene)	2
1	399253	(00000000-	) Brush, Scb, Cyl, 26.0l, Hd Poly (Stiff Polypropylene)	2
1	399254	(00000000-	) Brush, Scb, Cyl, 26.0l, Abr (Abrasive)	2
1	1060864	(00000000-	) Brush, Scb, Cyl, 26l, 18sr, Abr, Spl (Abrasive - Light Duty)	2
1	222308	(00000000-	) Brush, Scb, Cyl, 32l, 18 Sr, Nyl, Spl (Soft Nylon)	2
1	374042	(00000000-	) Brush, Scb, Cyl, 32l, 18 Sr, Pyp ,Spl (Medium Polypropylene)	2
1	222307	(00000000-	) Brush, Scb, Cyl, 32l, 18 Sr, Pyp Grout, Spl (Stiff Polypropylene)	2
1	222309	(00000000-	) Brush, Scb, Cyl, 32l, 18 Sr, Abr, Spl (Abrasive)	2
2	1025094	(00000000-	) Brush Assy, Disk, Scb, 11.90d, Nyl (Soft Nylon)	2
2	1025095	(00000000-	) Brush Assy, Disk, Scb, 11.90d, Pyp (Medium Polypropylene)	2
2	1025096	(00000000-	) Brush Assy, Disk, Scb, 11.9d, Sab (Abrasive)	2
2	399246	(00000000-	) Brush, Disk, Scr, 13.90d, Assy, Nyl (Soft Nylon)	2
2	399247	(00000000-	) Brush, Disk, Scr, 13.90d, Assy, Pyp (Medium Polypropylene)	2
2	399245	(00000000-	) Brush, Disk, Scr, 13.90d, Assy, Sab (Abrasive)	2
2	399243	(00000000-	) Brush, Disk, Scr, 15.9d, Assy, Nyl (Soft Nylon)	2
2	399244	(00000000-	) Brush, Disk, Scr, 15.9d, Assy, Pyp (Medium Polypropylene)	2
2	399242	(00000000-	) Brush, Disk, Scr, 15.9d, Assy, Sab (Abrasive)	2
3	32747	(00000000-	) Screw, Pan, M6 X 1.0 X 40, Ss	3
4	21852	(00000000-	) Bracket, Retainer, Spring	2
5	21853	(00000000-	) Spring, Wir, 0.16d, Brush Retaining (12" Brush Assy)	1
5	1028905	(00000000-	) Spring, Wir, 0.16d, Brush Retaining, (14" & 16" Brush Assy)	1
6	1017112	(00000000-	) Hub, Drive, Brush, Disk, 3hole 5.8bc	1

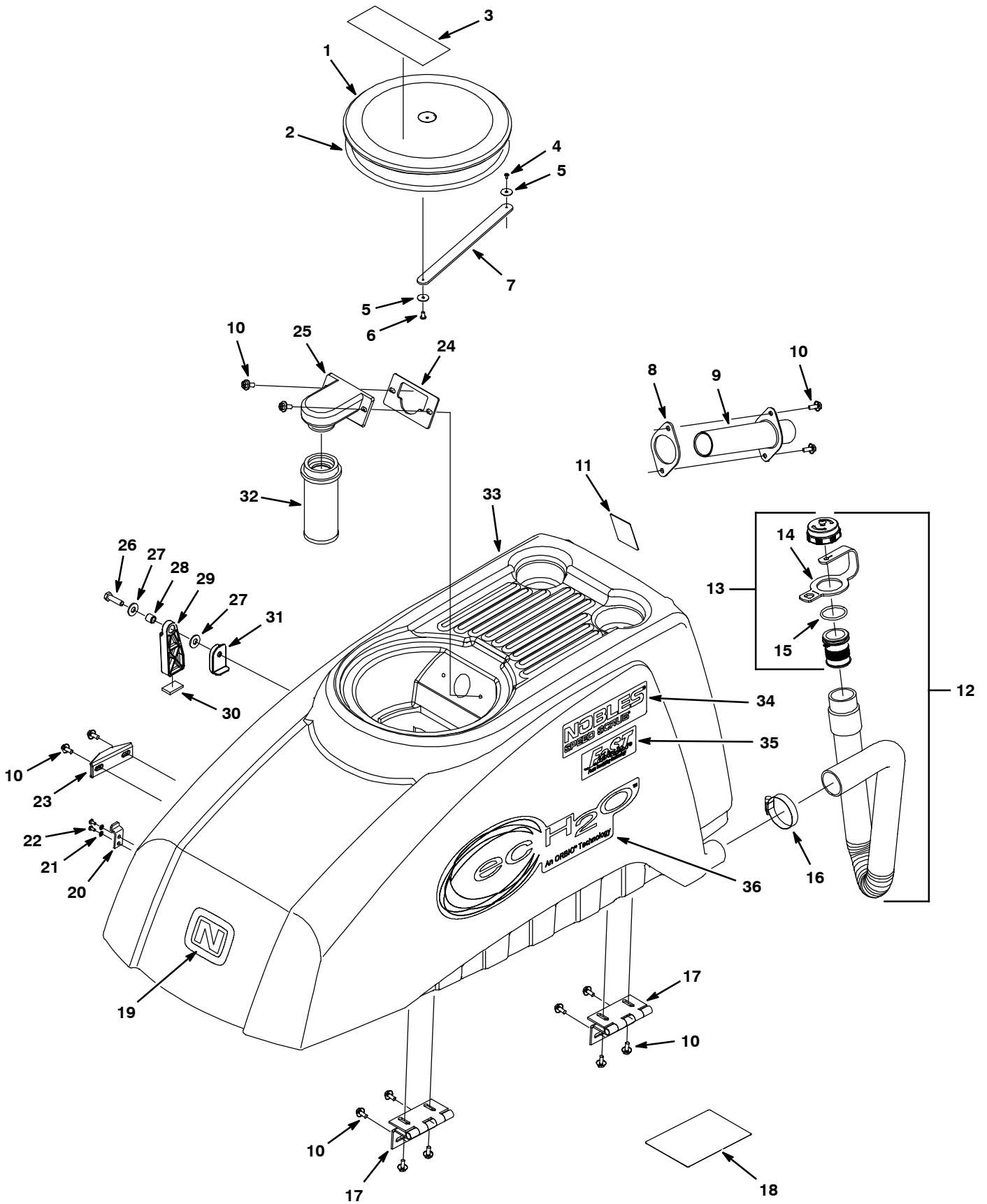
PAD DRIVER GROUP



## PAD DRIVER GROUP

Ref.	Part No.	Serial Number	Description	Qty.
1	385944	(00000000-	) Driver Assy, Pad, 12 D, Brush	2
1	399249	(00000000-	) Driver Assy, Pad, 14 D, Brush	2
1	399250	(00000000-	) Driver Assy, Pad, 16 D, Brush	2
2	10908	(00000000-	) Nut, T, M4 X 0.7	3
3	32747	(00000000-	) Screw, Pan, M6 X 1.0 X 40, Ss	3
4	21852	(00000000-	) Bracket, Retainer, Spring	2
5	21853	(00000000-	) Spring, Wir, 0.16d, Brush Retaining (12" Driver Assy)	1
5	1028905	(00000000-	) Spring, Wir, 0.16d, Brush Retaining, (14" & 16" Driver Assy)	1
6	1017112	(00000000-	) Hub, Drive, Brush, Disk, 3hole 5.8bc	1
7	05709	(00000000-	) Nut, T, M6 X 1.00	3
8	41579	(00000000-	) Washer, Flat, #8, Ss	3
9	04403	(00000000-	) Screw, Pan, M4 X 0.7 X 25, Ss, NI	3
10	370095	(00000000-	) Device, Centering, Clip-On, Teal, Gf Pp	1
11	385940	(00000000-	) Pad, Polish, 12.0d, White [1pad=1pc] (Polishing)	2
11	385941	(00000000-	) Pad, Buff, 12.0d, Red [1pad=1pc] (Light Scrubbing & Buffing)	2
11	385942	(00000000-	) Pad, Scb, 12.0d, Blu [1pick = 1 Pad] (Blue) (Medium Scrubbing)	2
11	385943	(00000000-	) Pad, Stripping, 12.0d, Brown [1pad=1pc] (Deep Scrubbing & Stripping)	2
11	1051020	(00000000-	) Pad, Surf Prep, 12.0d [Mar, 1pick=1pad] (Maroon) (Surface Preparation)	2
11	222324	(00000000-	) Pad, Polish, 14.0d, White [1pad=1pc] (Polishing)	2
11	222325	(00000000-	) Pad, Buff, 14.0d, Red (Light Scrubbing & Buffing)	2
11	222326	(00000000-	) Pad, Scb, 14.0d, Blu [1pad=1pc] (Blue) (Medium Scrubbing)	2
11	222327	(00000000-	) Pad, Stripping, 14.0d, Brown [1pad=1pc] (Deep Scrubbing & Stripping)	2
11	1051026	(00000000-	) Pad, Surf Prep, 14.0d [Mar, 1pick=1pad] (Maroon) (Surface Preparation)	2
11	63248-4	(00000000-	) Pad, Polish, 16.0d, White [1pad=1pc] (Polishing)	2
11	63248-3	(00000000-	) Pad, Buff, 16.0d, Red (Light Scrubbing & Buffing)	2
11	63248-2	(00000000-	) Pad, Scb, 16.0d, Blu [1pad=1pc] (Blue) (Medium Scrubbing)	2
11	63248-1	(00000000-	) Pad, Stripping, 16.0d, Brown [1pad=1pc] (Deep Scrubbing & Stripping)	2
11	1051027	(00000000-	) Pad, Surf Prep, 16.0d [Mar, 1pick=1pad] (Maroon) (Surface Preparation)	2

RECOVERY TANK GROUP



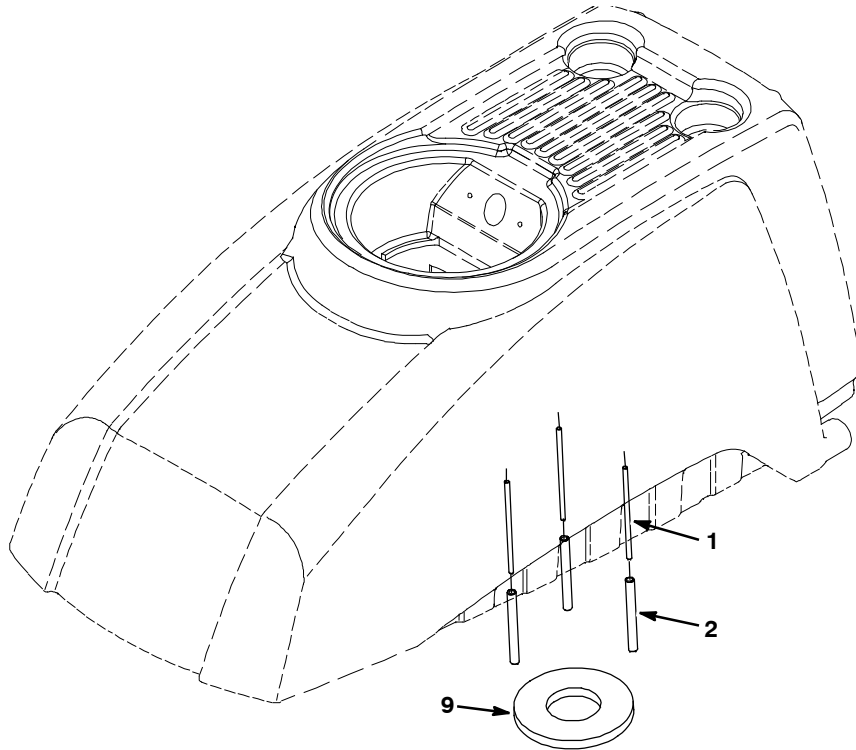
## RECOVERY TANK GROUP

Ref.	Part No.	Serial Number	Description	Qty.
▽	1	1017958	(00000000- ) Lid Assy, Tank, Recvy	1
▲	2	1017959	(00000000- ) Seal, Bulb, Str, 0.50h .50w 032.0l, Adh	1
▲	3	1026386	(00000000- ) Label, Warning [Expl,Fire,Shk En/Fr/Es]	1
	4	3701.6	(00000000- ) Screw, Pan, #06-32 X 0.38, Phl Ss Shtmtl	1
	5	1009168	(00000000- ) Washer, Flat, 0.17b 0.75d .04, Ss	2
	6	606915	(00000000- ) Screw, Pan, #10-16 X 0.38, Ss, F/ Plstc	1
	7	1001005	(00000000- ) Strap, Retaining, Cover	1
	8	1024602	(00000000- ) Gasket, Adapter, Hose .13, Neo, Adh	1
	9	1021214	(00000000- ) Tube, Hose, Adapter, 1.5d	1
	10	1034731	(00000000- ) Screw, Hex, M6 X 1.00 X 16, Ss, Sems	14
	11	1025660	(00000000- ) Label, Nfsi, Thk Adh (Fast & ec-H2O Models)	1
▽	12	1043538	(00000000- ) Hose Assy, Drain, 1.50id X 29.5l, Blk	1
▲▽	13	1008639	(00000000- ) Cap, Drain Assy	1
▲▲	14	1019563	(00000000- ) Strap, Cap, Drain	1
▲▲	15	1008637	(00000000- ) Seal, Org, 1.48id 1.76od	1
	16	11531	(00000000- ) Clamp, Hose, Wormdrive, 1.06-2.00d, .56w	1
	17	1022380	(00000000- ) Hinge, 7mmpin 3mm Th 73.5mmw 100mml	2
	18	1024802	(00000000- ) Label, Instr, Battery	1
	19	1034637	(00000000- ) Label, Front, 3.50 [Nobles Icon]	1
	20	49800	(00000000- ) Latch	1
	21	02938	(00000000- ) Washer, Lock, Int, #08, Ss	2
	22	391403	(00000000- ) Screw, Pan, M4 X 0.7 X 8, Ss	2
	23	1061143	(00000000- ) Bracket, Guide, Recvy Tank, [T5, Ss5]	1
	24	630255	(00000000- ) Gasket, Float, Mount	1
	25	630053	(00000000- ) Mount, Cage, Float [20.0 Scrubber]	1
	26	1039118	(00000000- ) Screw, Btn, M8 X 1.25 X 30, Blk	1
	27	140027	(00000000- ) Washer, Flat, 0.35b 0.75d .04, Ss	2
	28	222460	(00000000- ) Sleeve, P/M, 0.31b 0.50d 0.5l	1
	29	1022399	(00000000- ) Support, Tank, Prop, Blk, Nyl	1
	30	1032763	(00000000- ) Gasket, Stand, Support	1
	31	1022904	(00000000- ) Bracket, Sppt, Stop, Blk, Nyl	1
	32	630052	(00000000- ) Float, Shut-Off, (2)Ball, 1.75d	1
▽	33	9003652	(00000000- ) Tank Kit, Recvy [Ss5]	1
▲	34	1064991	(00000000- ) Label, Model [Speed Scrub]	2
	35	1064994	(00000000- ) Label, Logo, 06.1l Dk Gr [Fast]	2
	36	1064823	(00000000- ) Label, Logo, 12.3l 4color [Ech2o Nobles]	2

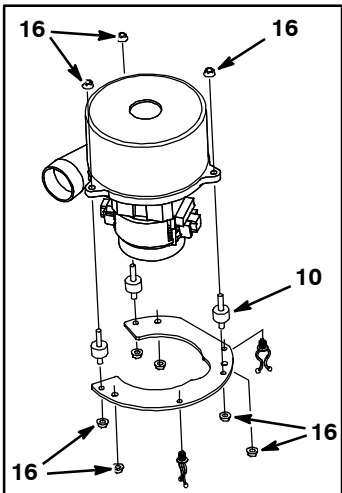
▽ ASSEMBLY

▲ INCLUDED IN ASSEMBLY

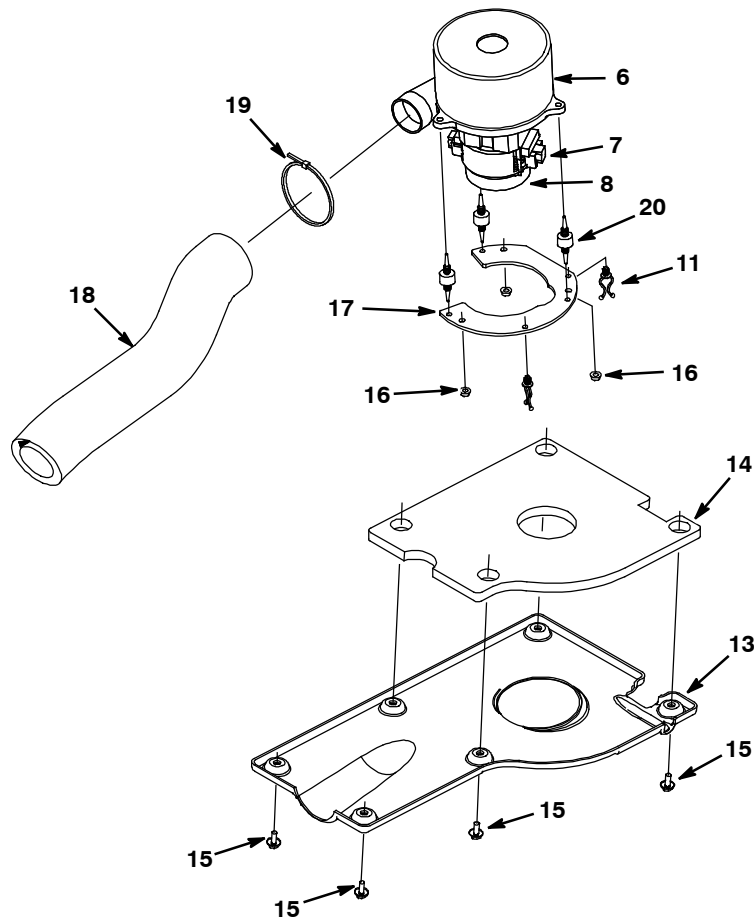
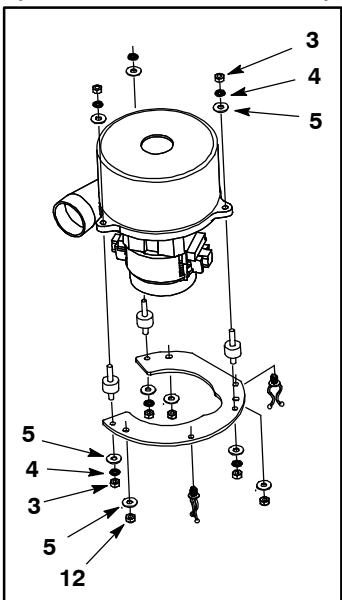
VACUUM MOTOR GROUP



(S/N 10358065-10519188)



(S/N 00000000-10358064)





## VACUUM MOTOR GROUP

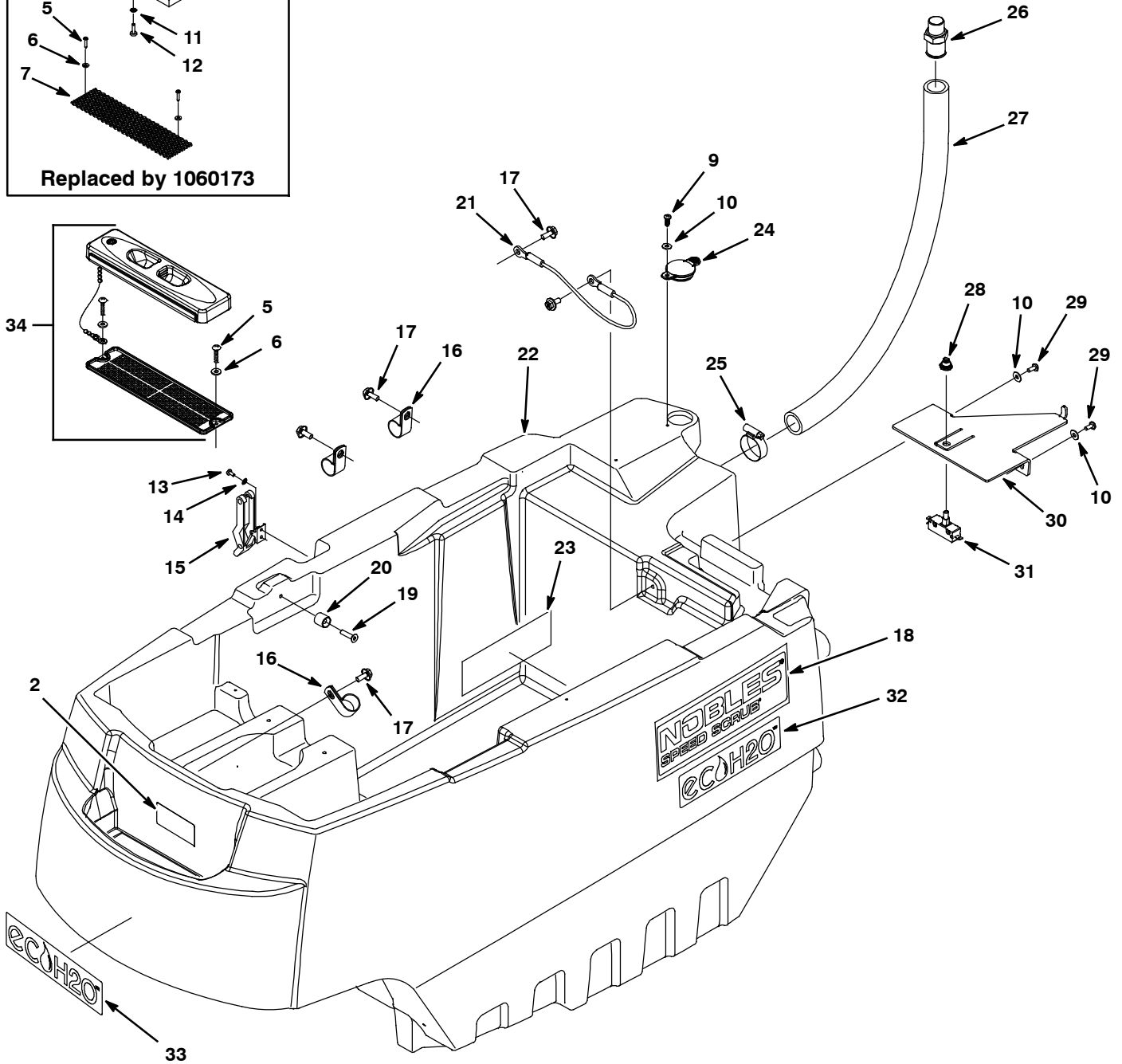
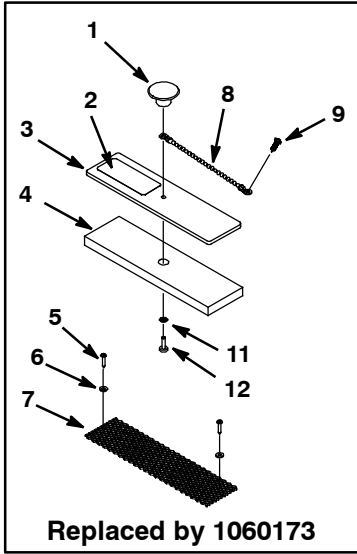
Ref.	Part No.	Serial Number	Description	Qty.	
1	1015412	(00000000-	) Rod, Thrd, Full, M06 X 1.0 05.5l	3	
2	1022406	(00000000-	) Tube, 0.43d 0.28b 04.2l, Stl, Pl	3	
3	07785	(00000000-10358064	) Nut, Hex, Std, M6 X 1.0, A2, Ss	6	
4	07515	(00000000-10358064	) Washer, Lock, Int, 0.25 Ss	6	
5	01684	(00000000-10358064	) Washer, Flat, 0.25 Ss	9	
▽	6	1025106	(00000000-	) Fan, Vacuum, 5.7d, 3s, 24vdc, Us	1
▲	7	190163	(00000000-	) Brush, Carbon, Motor, Ele [1pick=1pkg]	1
▲	8	130487	(00000000-	) Housing, Motor, Fan, Vent	1
	9	100038	(00000000-	) Gasket, Vacuum Mtr 5.7 Epdm W/Psa	1
	10	1011093	(00000000-10519188	) Isolator, Vib, .75d, M6 Stud Both Ends	3
	11	30406	(00000000-	) Clip, Keeper	2
	12	08712	(00000000-10358064	) Nut, Hex, Lock, M6 X 1.0, Ss, NI	3
	13	1022268	(00000000-	) Cover, Vac, Noise	1
	14	1024112	(00000000-	) Pad, Foam, Insulator	1
	15	1034731	(00000000-	) Screw, Hex, M6 X 1.00 X 16, Ss, Sems	6
	16	1040381	(10519189-	) Nut, Hex, Flng, M6 X 1.0, Ss [Serrated]	3
	16	1040381	(10358065-10519188	) Nut, Hex, Flng, M6 X 1.0, Ss [Serrated]	9
	17	1022375	(00000000-	) Bracket, Mtg, Vacuum	1
	18	390677	(00000000-	) Muffler, Exhaust, Vacuum Fan, Long	1
	19	130773	(00000000-	) Tie, Cable, Nyl, 11.0l, .14w, 3.0 Max. D	1
	20	1062016	(10519189-	) Isolator, Vib, .75d	3

▽ ASSEMBLY

▲ INCLUDED IN ASSEMBLY

SOLUTION TANK GROUP

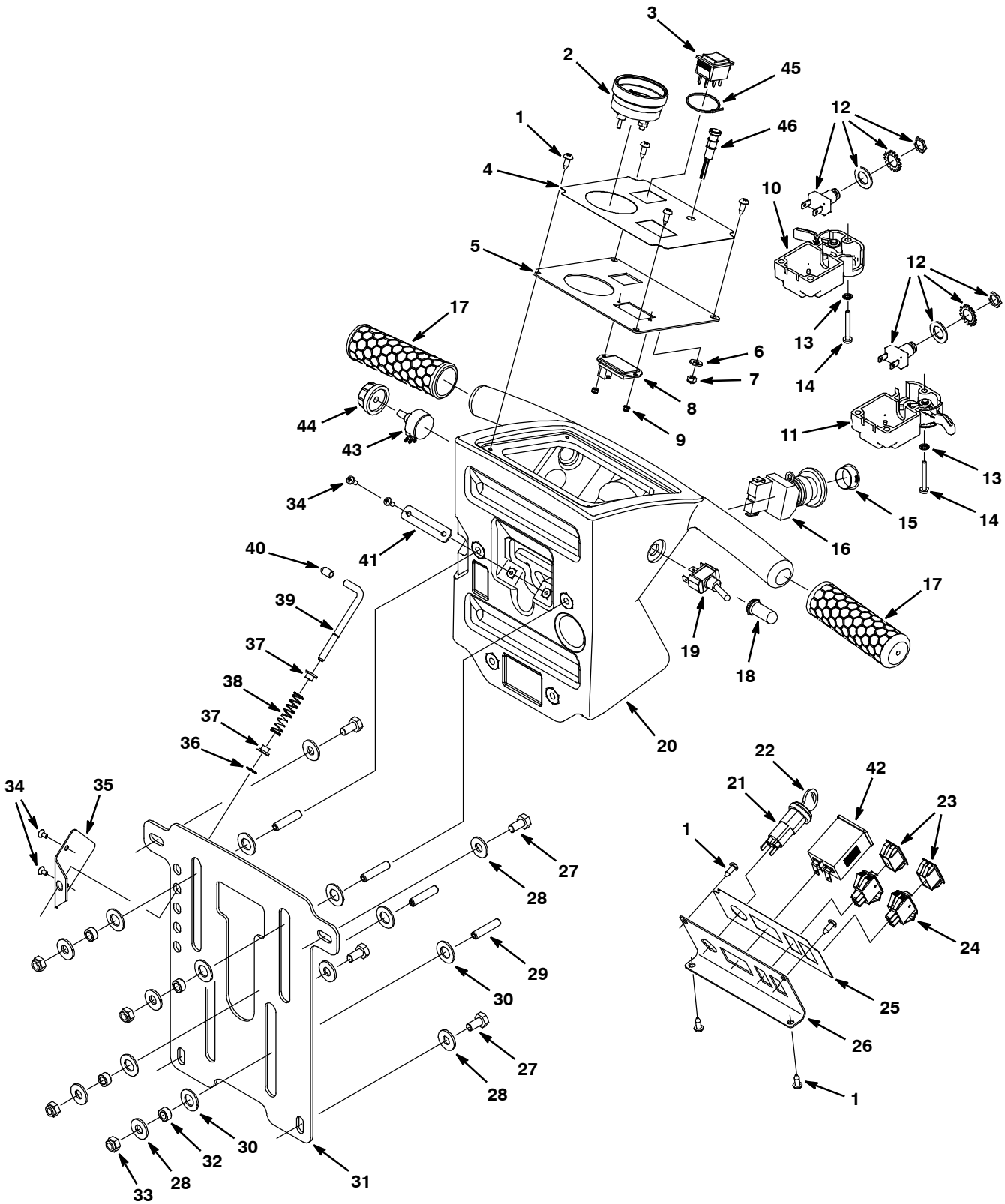
(S/N 0000000-10517541)



## SOLUTION TANK GROUP

Ref.	Part No.	Serial Number	Description	Qty.
1	578301	(00000000-10517541 )	Knob 10-32f Fill-Cover	1
2	391451	(00000000-	Label [Attention Fast Users] (Fast Model)	1
2	1050003	(10378380-	Label, User, Attention, Ec-H2o	1
3	605061	(00000000-10517541 )	Cover Solution Fill (Replaced by 1060173)	1
4	605062	(00000000-10517541 )	Gasket, Cover, Soltn Fill (Replaced by 1060173)	1
5	140826	(00000000-	Screw, Pan, #06-32 X 0.75, Ss, Fmg [Ab]	2
6	140032	(00000000-	Washer, Flat, #6, Ss	2
7	606146	(00000000-10517541 )	Screen, Fltr, Soltn Fill, Nat (Replaced by 1060173)	1
8	621443	(00000000-10517541 )	Chain, Ball, #10, 157mml, Ss	1
9	1018155	(00000000-10517541 )	Screw, Pan, M5 X 0.8 X16, Ss, Tcut	2
10	01684	(00000000-	Washer, Flat 0.25, Ss	2
11	07514	(00000000-10517541 )	Washer, Lock, Int, #10, Ss	1
12	140841	(00000000-10517541 )	Screw, Pan, #10-32 X 0.62, Phl, Ss	1
13	391403	(00000000-	Screw, Pan, M4 X 0.7 X 8, Ss	2
14	02938	(00000000-	Washer, Lock, Int, #08, Ss	2
15	49800	(00000000-	Latch	1
16	630428	(00000000-	Clamp, Cable, Stl, 1.00d X 0.50w, .25mnt	3
17	1034731	(00000000-	Screw, Hex, M6 X 1.00 X 16, Ss, Sems	5
18	1024781	(00000000-	Label, Side [Spdscrub] (Replaced by 1064991)	2
19	222692	(00000000-	Screw, Flt, M8 X1.25 X 25, Ss, 18-8, NI	1
20	1027028	(00000000-	Spacer, Guide, Tank	1
21	140960	(00000000-	Cable, Glv .13d 014.5l .34eye /.34eye	1
22	9003653	(00000000-	Tank Kit, Soltn [Ss5]	1
23	1028175	(00000000-	Label, Instr [Charger Setting]	1
24	1012965	(00000000-	Cap, Port, Soltn Fill	1
25	11399	(00000000-	Clamp, Hose, Wormdrive, 0.81-1.50d, .50w	1
26	1041082	(00000000-	Fitting, Plstc, Str, Bm16/Pm12	1
27	1023809	(00000000-	Hose, Drain, 1.00id X 22.8l, Vyl [T5]	1
28	1035711	(00000000-	Boot, Switch, Hex Nut, .38-32 Thd	1
29	609062	(00000000-	Screw, Trs, M5 X 0.80 X 12, Phl, Ss	2
30	1026571	(00000000-	Bracket, Hose, Cable Stay	1
31	606292	(00000000-	Switch, Push, Actuator, 20a	1
32	1050019	(10378380-	Label, Side, Ec-H2o [Ss3/Ss5/Ssrider] (NLA - Rpld by 1064823 - see Recovery Tank Group)	2
33	1050020	(10378380-	Label, Front, Ec-H2o [Ss5] (NLA - No Longer Available)	1
34	1060173	(10517542-	Cover Assy, Tank, Soltn Fill	1

CONTROL CONSOLE GROUP



## CONTROL CONSOLE GROUP

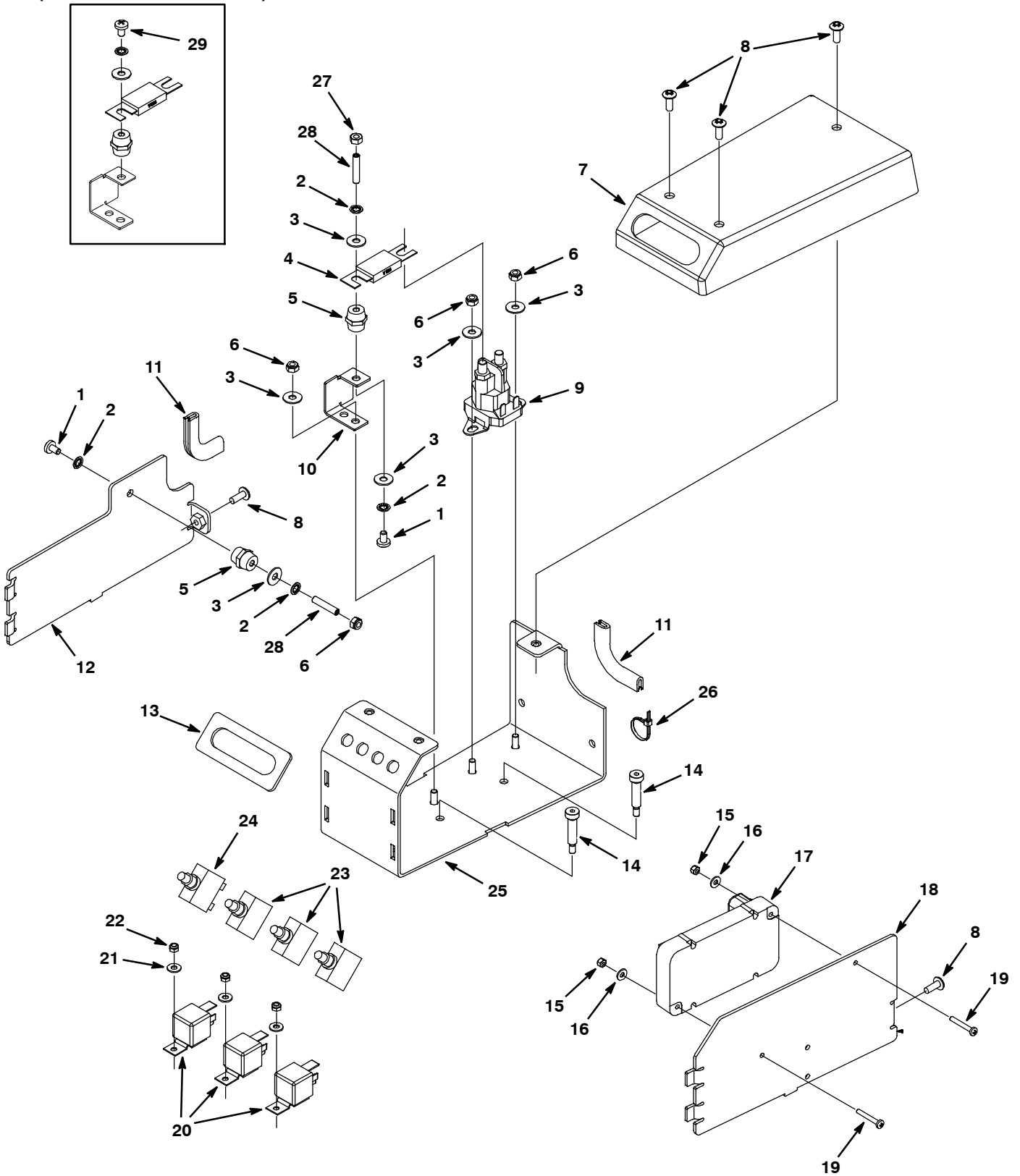
Ref.	Part No.	Serial Number	Description	Qty.	
1	1009324	(00000000-	) Screw, Pan, #10-16 X 0.50, Phl, Blk [Ty-17]	8	
2	1041318	(00000000-	) Gauge, Press, Brush, Afmkt 0-20-40a [Ss5]	1	
3	1007012	(00000000-	) Switch, Rocker, Dpdt Mom/Off/Mom	1	
4	1025114	(00000000-	) Label, Opertnl, Upper (Standard & Fast Models)	1	
4	1050010	(10378380-	) Label, Console, Upper Ec-H2o [T5e/Ss5]	1	
5	1041719	(00000000-	) Panel, Opertnl, Upper [Ss5]	1	
6	01683	(00000000-	) Washer, Flat, #10, Ss	1	
7	09739	(00000000-	) Nut, Hex, Lock, M5 X 0.80, NI, Ss	1	
8	392894	(00000000-	) Gauge, Discharge, Battery, 36vdc, Rt, Led	1	
9	579211	(00000000-	) Nut, Hex, Lock, M3 X 0.50, Ss	2	
▽	10	1063175	(00000000-	) Controlbox Assy, Trigger, Rh	1
▽	11	1063198	(00000000-	) Controlbox Assy, Trigger, Lh	1
▲	12	9008568	(00000000-	) Switch Kit, W/ Washers, Fr/ F/1063165	2
	13	02938	(00000000-	) Washer, Lock, Int, #08, Ss	6
	14	33931	(00000000-	) Screw, Pan, Phl, M4 X 0.70 X 30, Ss	6
	15	130161	(00000000-	) Plug, Hole, Rnd, 0.875d, Blk	1
	16	1011735	(00000000-	) Switch, Safety, Shutoff (Optional)	1
	17	1026407	(00000000-	) Grip, Handle, 1.25d X 4.75l	2
	18	130753	(00000000-	) Boot, Switch 1.00l Blk	1
	19	601108	(00000000-	) Switch, Toggle, Mom/On/On	1
	20	9003654	(00000000-	) Housing Kit, Cntrl [Ss5]	1
▽	21	1011402	(00000000-	) Switch, Key	1
▲	22	1017696	(00000000-	) Key, Replmt [F/ Keyswitch 1011402]	1
	23	582150	(00000000-	) Plug, Hole, Rt, 1.23 X 1.12, Nyl	2
	24	130787	(00000000-	) Switch, Rocker, Spdt (Optional)	2
	25	1025116	(00000000-	) Label, Opertnl, Lower (Standard & Fast Models)	1
	25	1050011	(10378380-	) Label, Console, Lower, Ec-H2o [T5e/Ss5]	1
	26	1024111	(00000000-	) Panel, Instmt, Lower	1
	27	49826	(00000000-	) Screw, Hex, M8 X 1.25 X 16, Ss, NI	4
	28	01685	(00000000-	) Washer, Flat, 0.31, Ss	8
	29	607461	(00000000-	) Screw, Set, M8 X 1.25 X 35, NI	4
	30	608562	(00000000-	) Washer, Flat, 0.51b 0.94d .06, Nyl	8
	31	1022888	(00000000-	) Bracket, Mtg, Console	1
	32	607783	(00000000-	) Bearing, Sleeve, .31id X .50od X .25, Bnz	4
	33	08709	(00000000-	) Nut, Hex, Lock, M8 X 1.25, NI	4
	34	607006	(00000000-	) Screw, Trs, M4 X 0.70 X 12, Phl, Pl	4
	35	630087	(00000000-	) Plate, Latch, Retainer	1
	36	630084	(00000000-	) Ring, Retaining, Ext, 4.62mm, [E-Ring]	1
	37	630083	(00000000-	) Bushing, Latch	2
	38	630082	(00000000-	) Spring, Cmpr, 10.7d, 0.9w, 44.4l, Pl[Mw]	1
	39	630081	(00000000-	) Lever, Latch, Console Adjust	1
	40	630094	(00000000-	) Cap, Vinyl, 2.26 ld X 12.7lg, Blk	1
	41	1026699	(00000000-	) Bracket, Retaining	1
	42	1011282	(00000000-	) Gauge, Hourmeter, 12/60 Vdc [Ret Mount]	1
	43	1042687	(00000000-	) Harness, Pot, Wire Assy [45k Ohm]	1
	44	1028037	(00000000-	) Knob, 1.25 Dia	1
	45	130773	(00000000-	) Tie, Cable, Nyl, 11.0l, .14w, 3.0 Max. D	1
	46	1041822	(10378380-	) Light, Led, .312D, 5 Volt [Tri-Color] (ec-H2O Model)	1

▽ ASSEMBLY

▲ INCLUDED IN ASSEMBLY

COMPONENT PANEL GROUP

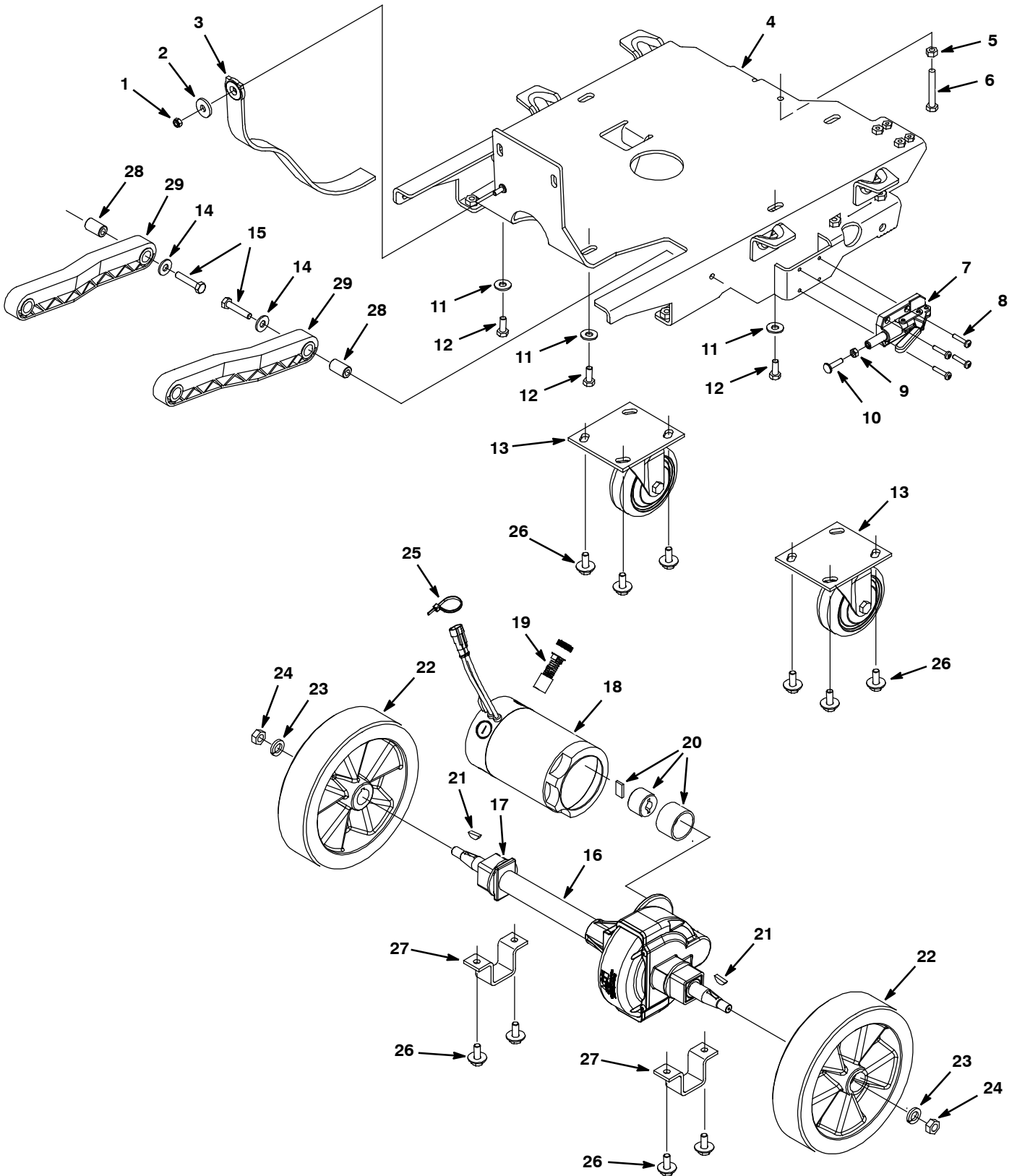
(S/N 00000000-10473939)



## COMPONENT PANEL GROUP

Ref.	Part No.	Serial Number	Description	Qty.
1	48732	(10473940-	) Screw, Pan, M6 X 1.0 X 10, Ss	2
2	07515	(00000000-	) Washer, Lock, Int, 0.25, Ss	4
3	01684	(00000000-	) Washer, Flat, 0.25, Ss	6
4	86379	(00000000-	) Fuse, 100a 125volt 0.88 X 3.2l	1
5	1013523	(00000000-	) Stand-Off, Wir, M6, 18 Hex, 20l, Insul	2
6	08712	(00000000-	) Nut, Hex, Lock, M6 X 1.00, Ss, NI	4
7	1024712	(00000000-	) Cover, Electronics	1
8	608322	(00000000-	) Screw, Trs, M6 X 1.00 X 16, Phl, Ss	5
9	1038490	(00000000-	) Relay, 24vdc, 100a, No [Trombetta]	1
10	1023868	(00000000-	) Bracket, Stand-Off	1
11	1027209	(00000000-	) Trim, Edge, Plstc, .12 X 65mm	2
12	1026777	(00000000-	) Brkt, Side, Rh	1
13	1025658	(00000000-	) Gasket, Cover, Electronics	1
14	1024965	(00000000-	) Bolt, Shld, 08mmd X 030mm, M06 X 1.0	2
15	33932	(00000000-	) Nut, Hex, Lock, M4 X 0.70, NI, Ss	2
16	41579	(00000000-	) Washer, Flat, #08, Ss	2
17	1052261	(00000000-	) Module, Cntrl, Drive [Ss5]	1
18	1029123	(00000000-	) Brkt, Side, Lh	1
19	33931	(00000000-	) Screw, Pan, M4 X 0.7 X 30, Ss	2
20	1012216	(00000000-	) Relay, 24vdc, 070a, Spst No, Plug-In	3
21	01683	(00000000-	) Washer, Flat, #10, Ss	3
22	09739	(00000000-	) Nut, Hex, Lock, M5 X 0.80, NI, Ss	3
23	383724	(00000000-	) Circuitbreaker, 25.0a, Resetable	3
24	383721	(00000000-	) Circuitbreaker, 10.0a	1
25	1026776	(00000000-	) Wldt, Panel, Elec	1
26	130773	(00000000-	) Tie, Cable, Nyl, 11.0l, .14w, 3.0 Max. D	1
27	07785	(10473940-	) Nut, Hex, Std, M6 X 1.00, Ss	1
28	1018559	(10473940-	) Screw, Set, M6 X 1.0 X 30, Ss	2
29	48732	(00000000-10473939	) Screw, Pan, M6 X 1.0 X 10, Ss (Replaced By #27 & 28)	1

FRAME GROUP





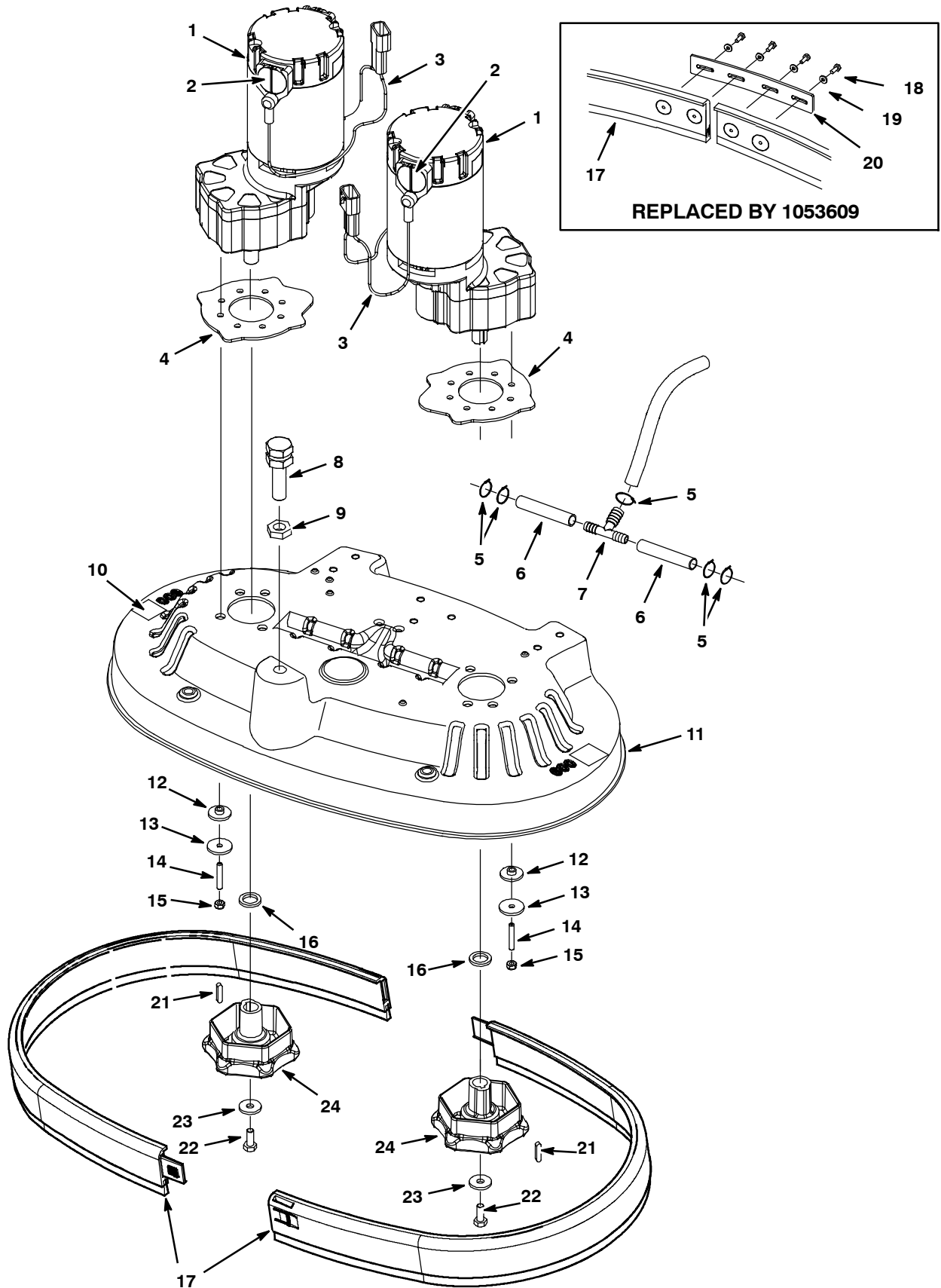
## FRAME GROUP

Ref.	Part No.	Serial Number	Description	Qty.
1	08712	(00000000-	) Nut, Hex, Lock, M6 X 1.0, Ss, NI	1
2	140053	(00000000-	) Washer, Flat, 0.28b 0.88d .12, Ss	1
3	1029181	(00000000-	) Strap, Static	1
4	1020959	(00000000-	) Frame Wldt, Transaxle	1
5	07786	(00000000-	) Nut, Hex, Std, M8 X 1.25, Ss	1
6	222504	(00000000-	) Screw, Hex, M8 X 1.25 X 55, Ss	1
7	1022878	(00000000-	) Clamp, Str, 30mm Strk (Optional)	1
8	1030769	(00000000-	) Screw, Pan, M5 X 0.8 X 25 Fmg	4
9	07785	(00000000-	) Nut, Hex, Std, M6 X 1.0, A2, Ss	1
10	1017416	(00000000-	) Screw, Weld, M06 X 1.00 X 25, Thru, Ss	1
11	1016331	(00000000-	) Washer, Flat, 0.34b 1.25d .11, Ss	5
12	12273	(00000000-	) Screw, Hex, M8 X 1.25 X 20, Ss, NI	5
13	1049048	(00000000-	) Caster, Swivel, 4.0d 1.4w, 4hole [400lb]	2
14	01685	(00000000-	) Washer, Flat, 0.31 Ss	2
15	74440	(00000000-	) Screw, Hex, M8 X 1.25 X 40, Ss, NI	2
▽	16	1021168	(00000000-) Transaxle, 24vdc, 110rpm [Asi]	1
▲	17	612880	(00000000-) Sleeve, Transaxle, Replmt	2
▲▽	18	1031723	(00000000-) Motor, Transaxle, 24vdc, Replmt, Asi	1
▲▲	19	614166	(00000000-) Brush Kit, Carbon [Qty 4]	1
▲	20	1017782	(00000000-) Coupling Kit, Transaxle, Replmt [11057]	1
▲	21	1021167	(00000000-) Key, Woodruff, 5mm	2
▽		9004909	(00000000-) Wheel Kit, Solid, Ci [T5 T5e Ss5]	1
▲	22	1020688	(00000000-) Wheel, Scrbr, 213.00mm With Taper	2
	23	140024	(00000000-) Washer, Lock, Splt, 0.50, Ss	2
	24	07788	(00000000-) Nut, Hex, Std, M12 X 1.75, Ss	2
	25	130773	(00000000-) Tie, Cable, Nyl, 11.0l, .14w, 3.0 Max. D	4
	26	1020341	(00000000-) Screw, Hex, M8 X 1.25 X 20, Ss, Sems	12
	27	606001	(00000000-) Bracket, Transaxle, Mtg, Ylw Zn	2
	28	606056	(00000000-) Tube, 00.62d 00.32b 01.0l Stl Plt	2
	29	222027	(00000000-) Arm, Lift, Head,	2

▽ ASSEMBLY

▲ INCLUDED IN ASSEMBLY

SCRUB HEAD GROUP, DISK 24 in / 600 mm



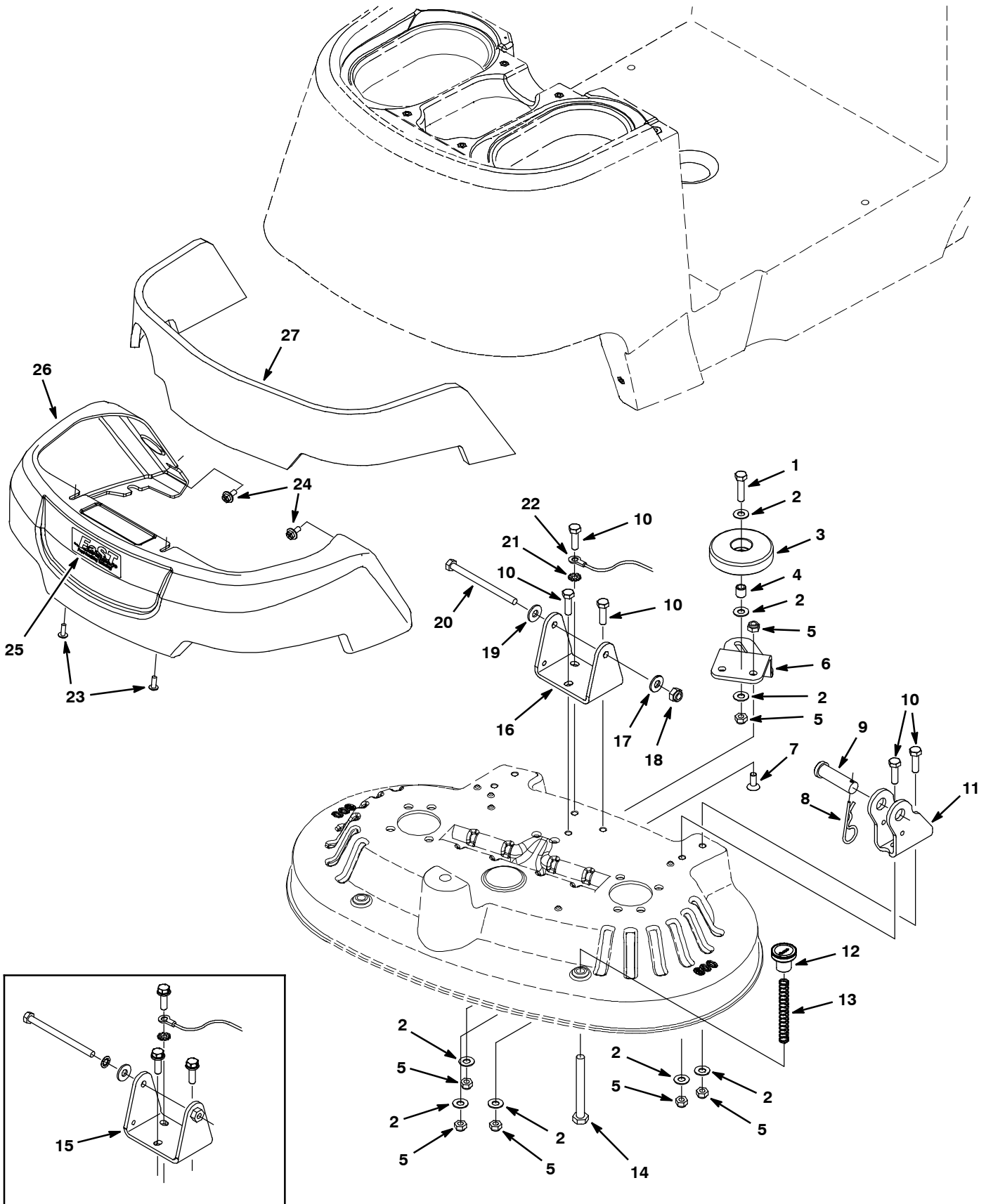
## SCRUB HEAD GROUP, DISK 24 in / 600 mm

Ref.	Part No.	Serial Number	Description	Qty.
▽	1	1023067	(00000000- ) Motor, Gearbox,24vdc, 220rpm, 0.75hp	2
▲	2	1031775	(00000000- ) Brush, Brush-Motor, Afmkt	1
▲	3	1031681	(00000000- ) Harness, Connector, Brush-Motor-Us	1
	4	1024321	(00000000- ) Spacer, Rbr, Motor	2
	5	130773	(00000000- ) Tie, Cable, Nyl, 11.0l, .14w, 3.0 Max. D	7
	6	606362	(00000000- ) Hose 3/8IdX5/8OdX6.5 (611254)	2
	7	1022556	(00000000- ) Fitting, Plstc, Tee, Bm06/Bm06/Bm08	1
	8	1022424	(00000000- ) Stud, Adj, M16, Scrub Head	1
	9	763066	(00000000- ) Nut, Hex, Jam, M16 X 2.0	1
	10	578769	(00000000- ) Label, Moving Parts	2
	11	1022402	(00000000- ) Housing, Casting, Head, 60cm, Mach	1
	12	1025160	(00000000- ) Grommet, Isolator, 6b X 10od X 26.0fl	8
	13	386063	(00000000- ) Washer, Flat, 0.25b 1.12d .12, Ss	8
	14	1025853	(00000000- ) Screw, Set, M6 X 1.00 X 35, Ss, NI	8
	15	08712	(00000000- ) Nut, Hex, Lock, M6 X 1.0, Ss, NI	8
	16	1022549	(00000000- ) Spacer, Shaft, 17.15b, 25.0d, 3.0t	2
	17	1053609	(10443636- ) Bumper, Head, 60cm, Bristle Skirt	1
	17	1024938	(00000000-10443635 ) Bumper, Head, 60cm, Bristle Skirt, Assy (OBS REPLACED BY 1053609)	1
	18	1020234	(00000000-10443635 ) Screw, Hex, M4 X 0.7 X 10, Ss	4
	19	41578	(00000000-10443635 ) Washer, Flat, #06 Ss	4
	20	1023573	(00000000-10443635 ) Strap, Retaining, Skirt (OBS REPLACED BY 1053609)	1
	21	1014328	(00000000- ) Key, Sq, 05mm X 05mm, 25l	2
	22	12273	(00000000- ) Screw, Hex, M8 X 1.25 X 20, Ss, NI	2
	23	1016331	(00000000- ) Washer, Flat, 0.34b 1.25d .11, Ss	2
	24	1022550	(00000000- ) Hub, Drive, Brush, Disk, 17mm Bore	2

▽ ASSEMBLY

▲ INCLUDED IN ASSEMBLY

SCRUB HEAD GROUP, DISK 24 in / 600 mm - CONT'D



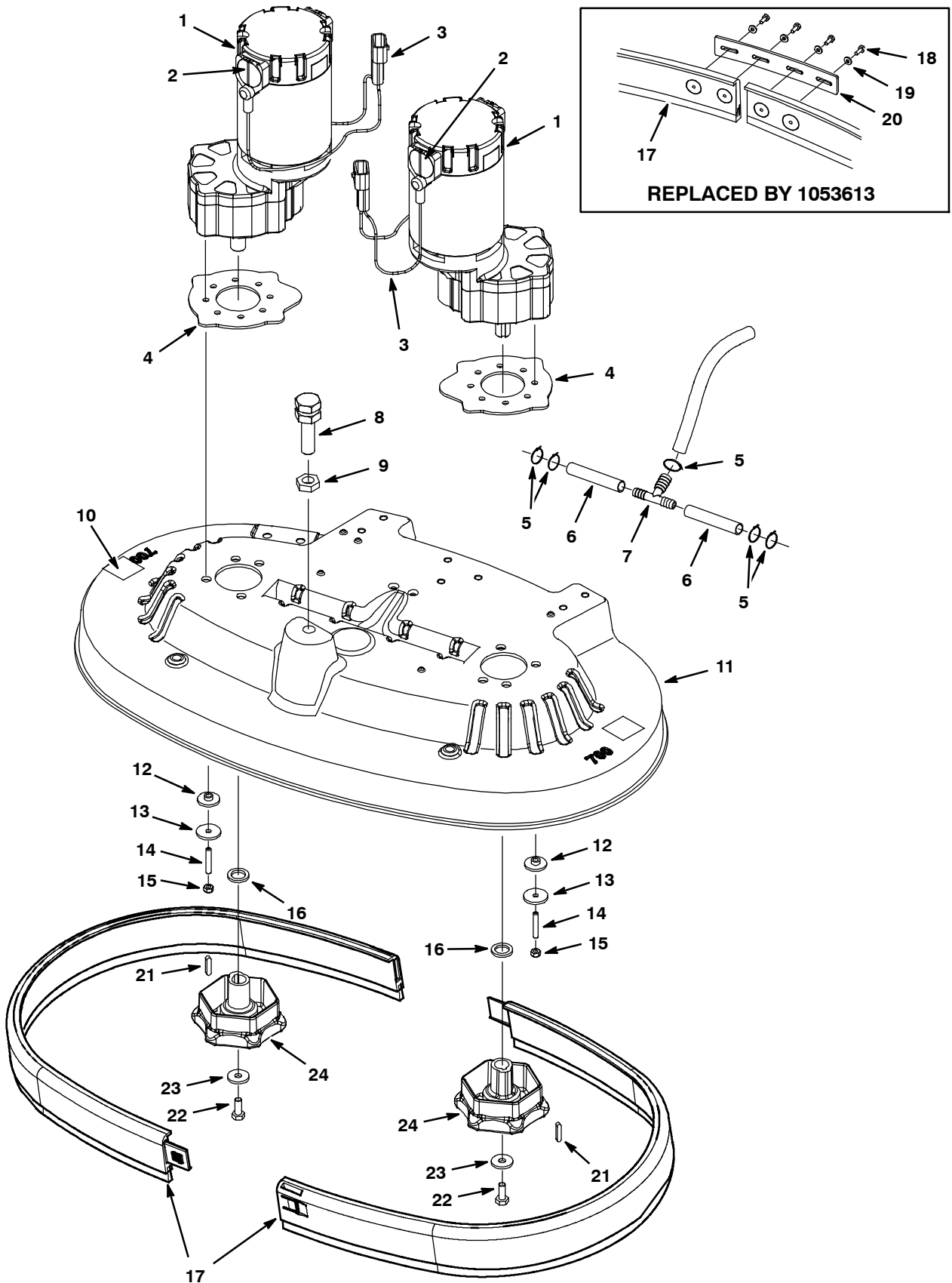
## SCRUB HEAD GROUP, DISK 24 in / 600 mm - CONT'D

Ref.	Part No.	Serial Number	Description	Qty.	
1	09023	(00000000-	) Screw, Hex, M8 X 1.25 X 35, Ss, Fl	1	
2	140027	(00000000-	) Washer, Flat, 0.35b 0.75d .04, Ss	10	
3	1010560	(00000000-	) Wheel, Bmpr, 80d X 25w, Non-Marking	1	
4	222460	(00000000-	) Sleeve, P/M, 0.496d 0.318b 0.50l 430ss	1	
5	08713	(00000000-	) Nut, Hex, Lock, M8 X 1.25, Ni, Ss	10	
6	1022344	(00000000-	) Bracket, Roller, Wall, Scrubhead, 60cm	1	
7	79246	(00000000-	) Screw, Flt, M8 X 1.25 X 20, Ss 18-8	2	
8	02942	(00000000-	) Pin, Hair Cotter, 0.62 D .120 Wir	2	
9	222210	(00000000-	) Pin, Clevis, 0.62 D X 2.12l	2	
10	09011	(00000000-	) Screw, Hex, M8 X 1.25 X 30, Ss	7	
11	1022227	(00000000-	) Bracket, Link, Scrubhead	2	
12	1024179	(00000000-	) Knob, Knurled, M10 Thread	2	
13	626081	(00000000-	) Spring, Cmpr, 12.1d, 0.9w, 90.0l	2	
14	09746	(00000000-	) Screw, Hex, M10 X 1.5 X 90, Ss	2	
15	N/A	(00000000-10325113	) (Replaced By Items #16, 17, & 18)	1	
16	1036022	(10325114-	) Bracket, Mtg, Actuator, Scb Head	1	
17	01685	(10325114-	) Washer, Flat, 0.31 Ss	1	
18	08713	(10325114-	) Nut, Hex, Lock, M8 X 1.25, Ni, Ss	1	
19	01685	(00000000-	) Washer, Flat, 0.31 Ss	1	
20	364441	(00000000-	) Screw, Hex, M8 X 1.25 X 110, Ss	1	
21	43952	(00000000-	) Washer, Lock, Int, 0.31, Ss	1	
22	1031370	(00000000-	) Wire, 12 Awg X 250mm	1	
23	608322	(00000000-	) Screw, Trs, M6 X 1.0 X 16, Phl, Ss	2	
24	1034731	(00000000-	) Screw, Hex, M6 X 1.00 X 16, Ss, Sems	2	
25	1034921	(00000000-	) Label, Logo, White/Black, 4.00l [Fast] (NLA - No Longer Available)	1	
▽	26	9003252	(00000000-	) Cover Kit, Head, Disc, Replmt [Ss5]	1
▲	27	1027068	(00000000-	) Insulation, Sound, Front	1

▽ ASSEMBLY

▲ INCLUDED IN ASSEMBLY

SCRUB HEAD GROUP, DISK 28 in / 700 mm



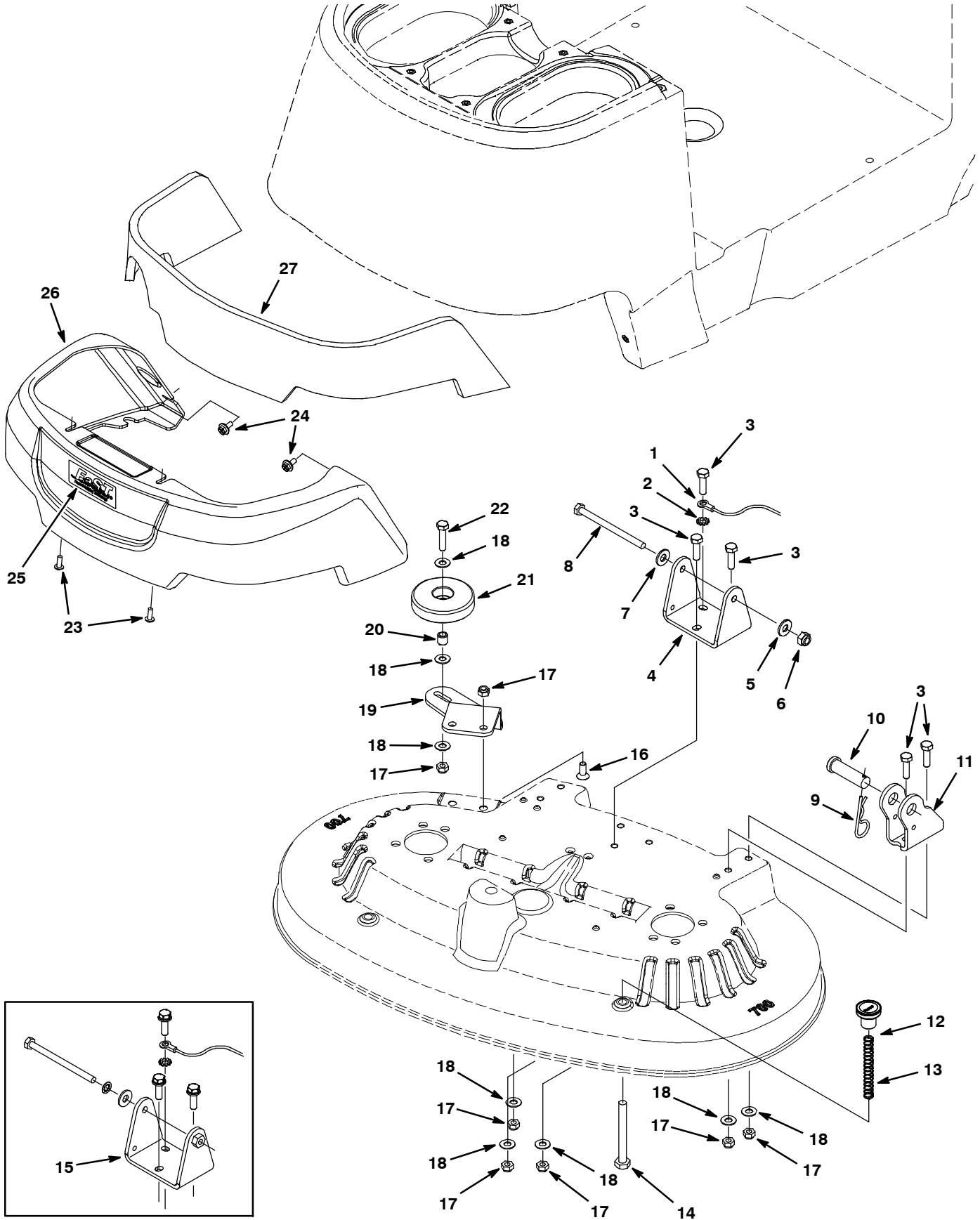
## SCRUB HEAD GROUP, DISK 28 in / 700 mm

Ref.	Part No.	Serial Number	Description	Qty.
▽	1	1023067	(00000000- ) Motor, Gearbox,24vdc, 220rpm, 0.75hp	2
▲	2	1031775	(00000000- ) Brush, Brush-Motor, Afmkt	1
▲	3	1031681	(00000000- ) Harness, Connector, Brush-Motor-Us	1
	4	1024321	(00000000- ) Spacer, Rbr, Motor	2
	5	130773	(00000000- ) Tie, Cable, Nyl, 11.0l, .14w, 3.0 Max. D	7
	6	606362	(00000000- ) Hose 3/8IdX5/8OdX6.5 (611254)	2
	7	1022556	(00000000- ) Fitting, Plstc, Tee, Bm06/Bm06/Bm08	1
	8	1022424	(00000000- ) Stud, Adj, M16, Scrub Head	1
	9	763066	(00000000- ) Nut, Hex, Jam, M16 X 2.0	1
	10	578769	(00000000- ) Label, Moving Parts	2
	11	1023182	(00000000- ) Housing, Casting, Head, 70cm, Mach	1
	12	1025160	(00000000- ) Grommet, Isolator, 6b X 10od X 26.0fl	8
	13	386063	(00000000- ) Washer, Flat, 0.25b 1.12d .12, Ss	8
	14	1025853	(00000000- ) Screw, Set, M6 X 1.00 X 35, Ss, NI	8
	15	08712	(00000000- ) Nut, Hex, Lock, M6 X 1.0, Ss, NI	8
	16	1022549	(00000000- ) Spacer, Shaft, 17.15b, 25.0d, 3.0t	2
	17	1053613	(10446232- ) Bumper, Head, 70cm, Bristle Skirt	1
	17	1023802	(00000000-10446231 ) Bumper Assy, Skirt, Scrub Head, 70cm (OBS REPLACED BY 1053613)	1
	18	1020234	(00000000-10446231 ) Screw, Hex, M4 X 0.7 X 10, Ss	4
	19	41578	(00000000-10446231 ) Washer, Flat, #06 Ss	4
	20	1023573	(00000000-10446231 ) Strap, Retaining, Skirt (OBS REPLACED BY 1053613)	1
	21	1014328	(00000000- ) Key, Sq, 05mm X 05mm, 25l	2
	22	12273	(00000000- ) Screw, Hex, M8 X 1.25 X 20, Ss, NI	2
	23	1016331	(00000000- ) Washer, Flat, 0.34b 1.25d .11, Ss	2
	24	1022550	(00000000- ) Hub, Drive, Brush, Disk, 17mm Bore	2

▽ ASSEMBLY

▲ INCLUDED IN ASSEMBLY

SCRUB HEAD GROUP, DISK 28 in / 700 mm - CONT'D





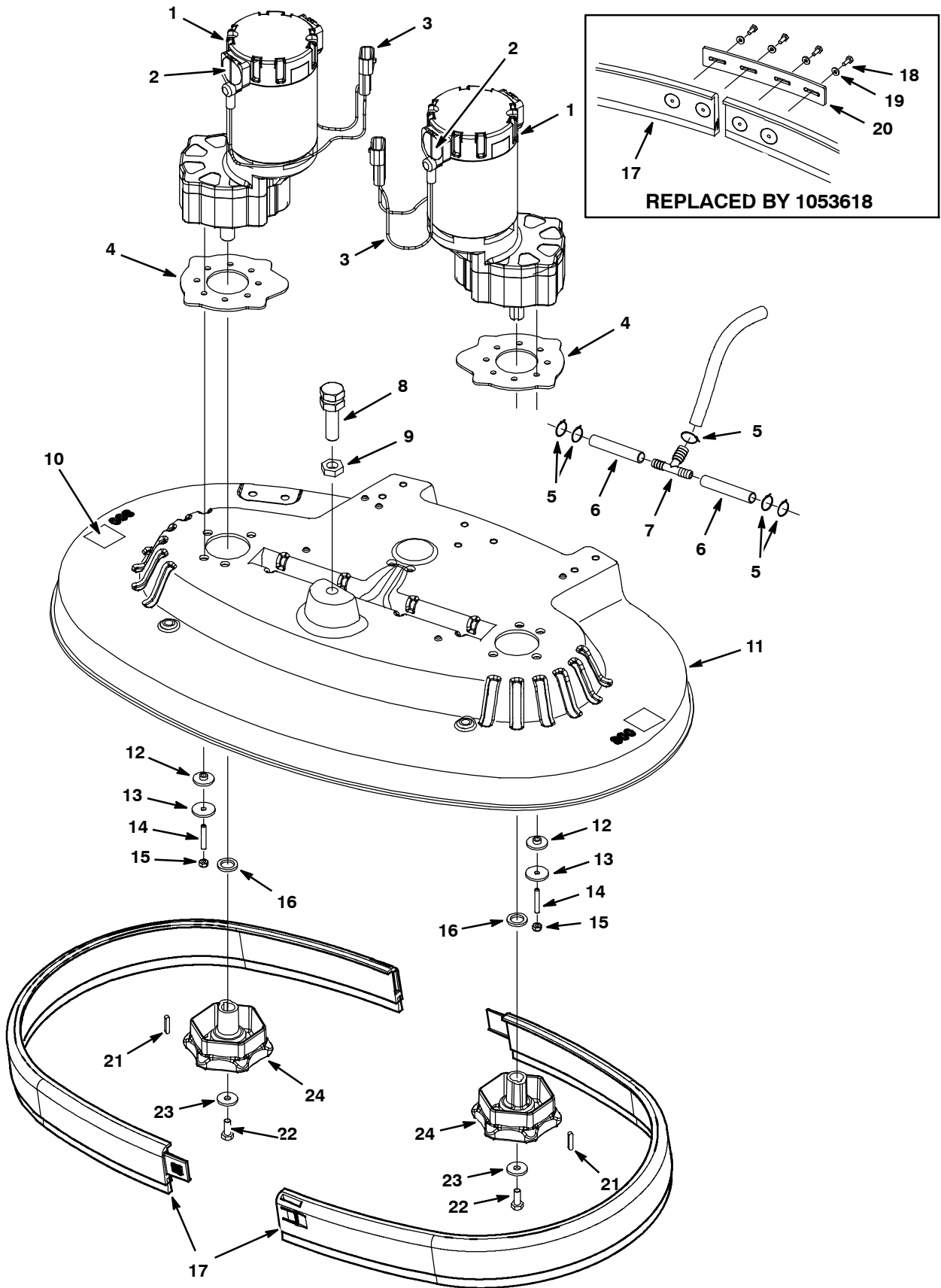
## SCRUB HEAD GROUP, DISK 28 in / 700 mm - CONT'D

Ref.	Part No.	Serial Number	Description	Qty.	
1	1031370	(00000000-	) Wire, 12 Awg X 250mm	1	
2	43952	(00000000-	) Washer, Lock, Int, 0.31, Ss	1	
3	09011	(00000000-	) Screw, Hex, M8 X 1.25 X 30, Ss	7	
4	1036022	(10325114-	) Bracket, Mtg, Actuator, Scb Head	1	
5	01685	(10325114-	) Washer, Flat, 0.31 Ss	1	
6	08713	(10325114-	) Nut, Hex, Lock, M8 X 1.25, NI, Ss	1	
7	01685	(00000000-	) Washer, Flat, 0.31 Ss	1	
8	364441	(00000000-	) Screw, Hex, M8 X 1.25 X 110, Ss	1	
9	02942	(00000000-	) Pin, Hair Cotter, 0.62 D .120 Wir	2	
10	222210	(00000000-	) Pin, Clevis, 0.62 D X 2.12l	2	
11	1022227	(00000000-	) Bracket, Link, Scrubhead	2	
12	1024179	(00000000-	) Knob, Knurled, M10 Thread	2	
13	626081	(00000000-	) Spring, Cmpr, 12.1d, 0.9w, 90.0l	2	
14	09746	(00000000-	) Screw, Hex, M10 X 1.5 X 90, Ss	2	
15	N/A	(00000000-10325113	) (Replaced By Items #4, 5, & 6)	1	
16	79246	(00000000-	) Screw, Flt, M8 X 1.25 X 20, Ss 18-8	2	
17	08713	(00000000-	) Nut, Hex, Lock, M8 X 1.25, NI, Ss	10	
18	140027	(00000000-	) Washer, Flat, 0.35b 0.75d .04, Ss	10	
19	1023268	(00000000-	) Bracket, Roller, Wall, Scb Head, 70cm	1	
20	222460	(00000000-	) Sleeve, P/M, 0.496d 0.318b 0.50l 430ss	1	
21	1010560	(00000000-	) Wheel, Bmpr, 80d X 25w, Non-Marking	1	
22	09023	(00000000-	) Screw, Hex, M8 X 1.25 X 35, Ss, Fl	1	
23	608322	(00000000-	) Screw, Trs, M6 X 1.0 X 16, Phl, Ss	2	
24	1034731	(00000000-	) Screw, Hex, M6 X 1.00 X 16, Ss, Sems	2	
25	1034921	(00000000-	) Label, Logo, White/Black, 4.00l [Fast] (NLA - No Longer Available)	1	
▽	26	9003252	(00000000-	) Cover Kit, Head, Disc, Replmt [Ss5]	1
▲	27	1027068	(00000000-	) Insulation, Sound, Front	1

▽ ASSEMBLY

▲ INCLUDED IN ASSEMBLY

SCRUB HEAD GROUP, DISK 32 in / 800 mm



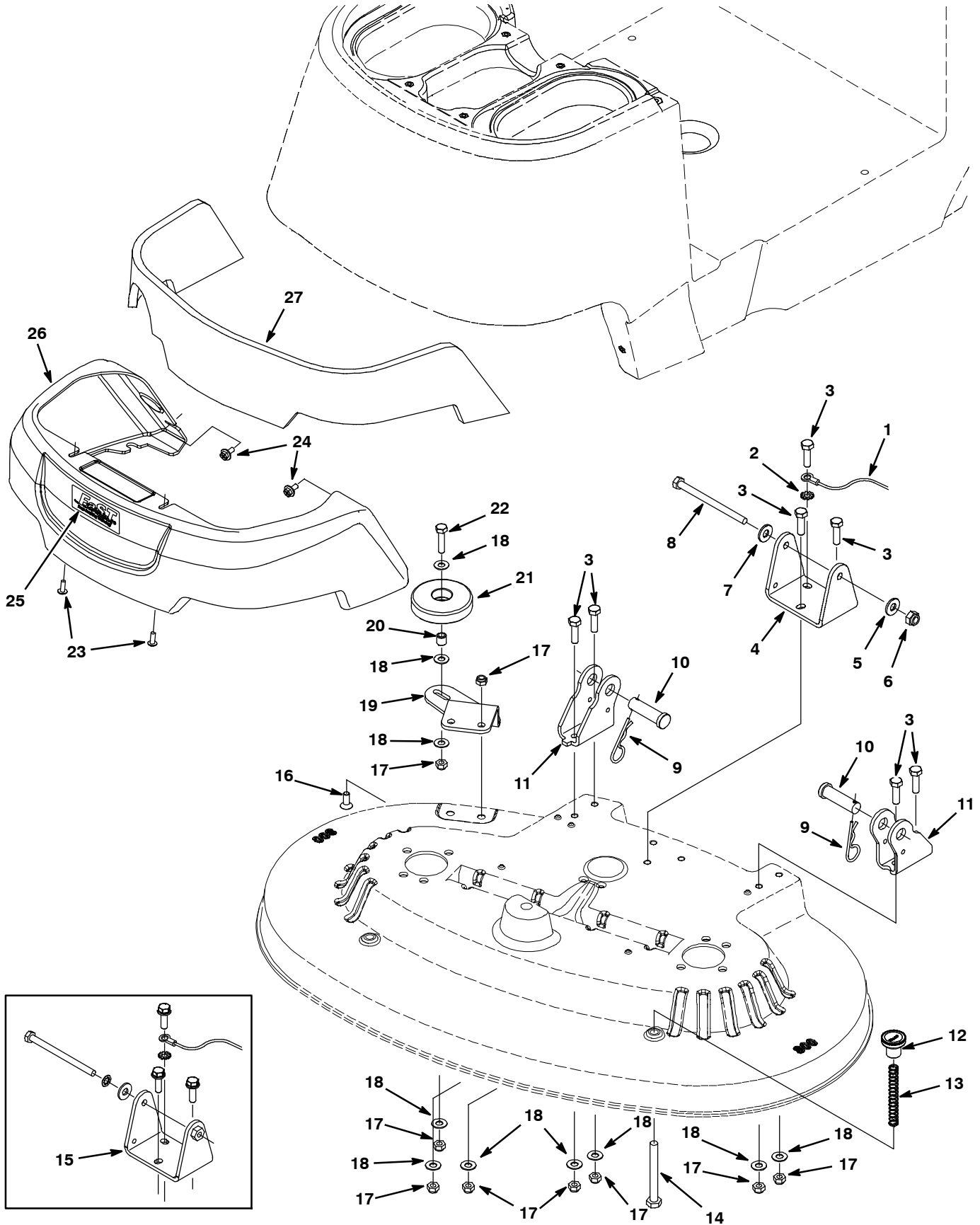
## SCRUB HEAD GROUP, DISK 32 in / 800 mm

Ref.	Part No.	Serial Number	Description	Qty.
▽	1	1023067	(00000000- ) Motor, Gearbox,24vdc, 220rpm, 0.75hp	2
▲	2	1031775	(00000000- ) Brush, Brush-Motor, Afmkt	1
▲	3	1031681	(00000000- ) Harness, Connector, Brush-Motor-Us	1
	4	1024321	(00000000- ) Spacer, Rbr, Motor	2
	5	130773	(00000000- ) Tie, Cable, Nyl, 11.0l, .14w, 3.0 Max. D	7
	6	606885	(00000000- ) Hose 3/8idx5/8odx7.75 (611254)	2
	7	1022556	(00000000- ) Fitting, Plstc, Tee, Bm06/Bm06/Bm08	1
	8	1022424	(00000000- ) Stud, Adj, M16, Scrub Head	1
	9	763066	(00000000- ) Nut, Hex, Jam, M16 X 2.0	1
	10	578769	(00000000- ) Label, Moving Parts	2
	11	1023697	(00000000- ) Housing, Casting, Head, 80cm, Mach	1
	12	1025160	(00000000- ) Grommet, Isolator, 6b X 10od X 26.0fl	8
	13	386063	(00000000- ) Washer, Flat, 0.25b 1.12d .12, Ss	8
	14	1025853	(00000000- ) Screw, Set, M6 X 1.00 X 35, Ss, NI	8
	15	08712	(00000000- ) Nut, Hex, Lock, M6 X 1.0, Ss, NI	8
	16	1022549	(00000000- ) Spacer, Shaft, 17.15b, 25.0d, 3.0t	2
	17	1053618	(10423043- ) Bumper, Head, 80cm, Bristle Skirt	1
	17	1024941	(00000000-10423042 ) Bumper Assy, Skirt, Scrub Head, 80cm (OBS REPLACED BY1053618)	1
	18	1020234	(00000000-10423042 ) Screw, Hex, M4 X 0.7 X 10, Ss	4
	19	41578	(00000000-10423042 ) Washer, Flat, #06 Ss	4
	20	1023573	(00000000-10423042 ) Strap, Retaining, Skirt (OBS REPLACED BY1053618)	1
	21	1014328	(00000000- ) Key, Sq, 05mm X 05mm, 25l	2
	22	12273	(00000000- ) Screw, Hex, M8 X 1.25 X 20, Ss, NI	2
	23	1016331	(00000000- ) Washer, Flat, 0.34b 1.25d .11, Ss	2
	24	1022550	(00000000- ) Hub, Drive, Brush, Disk, 17mm Bore	2

▽ ASSEMBLY

▲ INCLUDED IN ASSEMBLY

SCRUB HEAD GROUP, DISK 32 in / 800 mm - CONT'D



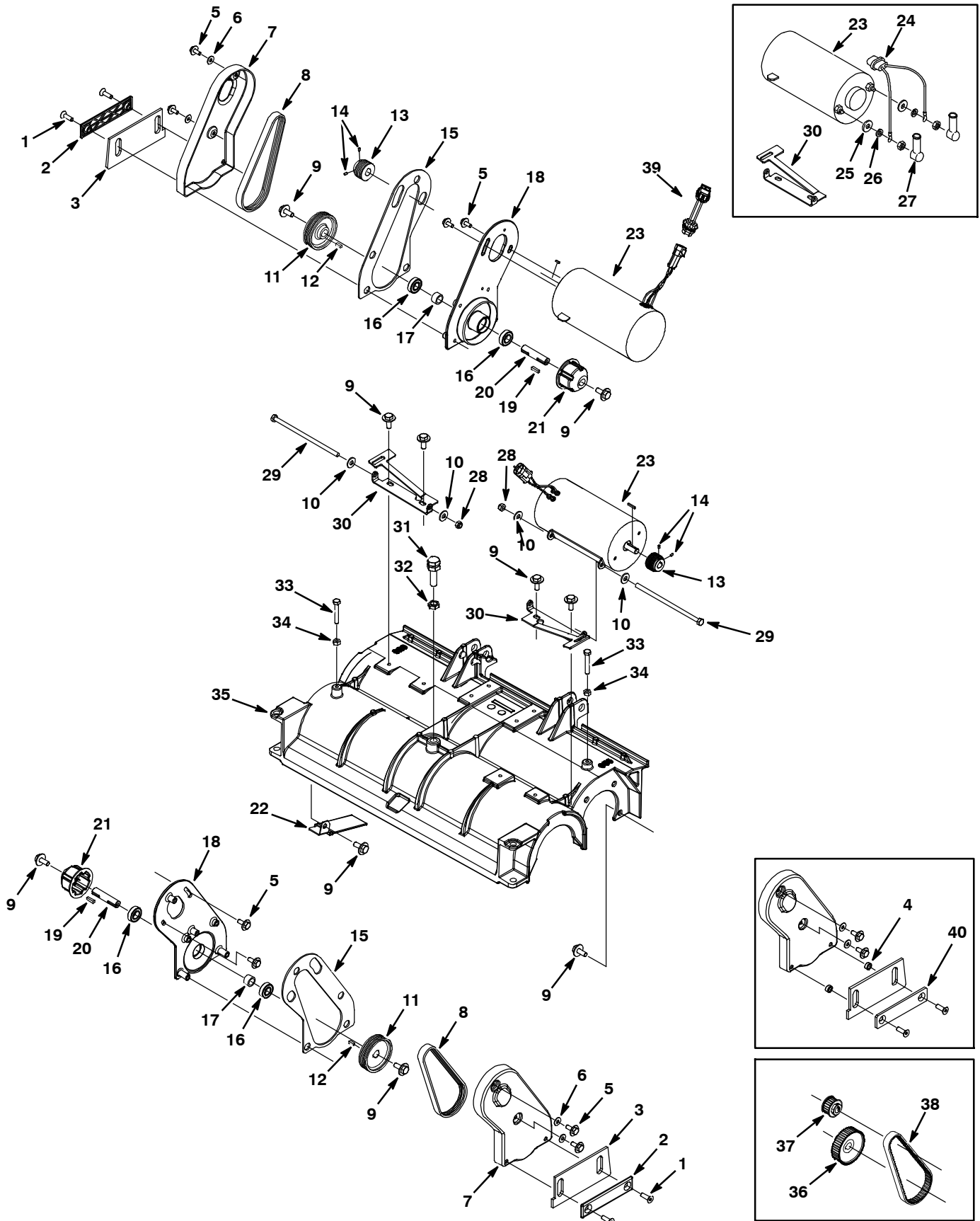
## SCRUB HEAD GROUP, DISK 32 in / 800 mm - CONT'D

Ref.	Part No.	Serial Number	Description	Qty.	
1	1031370	(00000000-	) Wire, 12 Awg X 250mm	1	
2	43952	(00000000-	) Washer, Lock, Int, 0.31, Ss	1	
3	09011	(00000000-	) Screw, Hex, M8 X 1.25 X 30, Ss	7	
4	1036022	(10325114-	) Bracket, Mtg, Actuator, Scb Head	1	
5	01685	(10325114-	) Washer, Flat, 0.38b 0.88d .08, Ss	1	
6	08713	(10325114-	) Nut, Hex, Lock, M8 X 1.25, NI, Ss	1	
7	01685	(00000000-	) Washer, Flat, 0.31 Ss	1	
8	364441	(00000000-	) Screw, Hex, M8 X 1.25 X 110, Ss	1	
9	02942	(00000000-	) Pin, Hair Cotter, 0.62 D .120 Wir	2	
10	222210	(00000000-	) Pin, Clevis, 0.62 D X 2.12l	2	
11	1022227	(00000000-	) Bracket, Link, Scrubhead	2	
12	1024179	(00000000-	) Knob, Knurled, M10 Thread	2	
13	626081	(00000000-	) Spring, Cmpr, 12.1d, 0.9w, 90.0l	2	
14	09746	(00000000-	) Screw, Hex, M10 X 1.5 X 90, Ss	2	
15	N/A	(00000000-10325113	) (Replaced By Items #4, 5, & 6)	1	
16	79246	(00000000-	) Screw, Flt, M8 X 1.25 X 20, Ss 18-8	2	
17	08713	(00000000-	) Nut, Hex, Lock, M8 X 1.25, NI, Ss	10	
18	140027	(00000000-	) Washer, Flat, 0.35b 0.75d .04, Ss	10	
19	1023268	(00000000-	) Bracket, Roller, Wall, Scb Head, 70cm	1	
20	222460	(00000000-	) Sleeve, P/M, 0.496d 0.318b 0.50l 430ss	1	
21	1010560	(00000000-	) Wheel, Bmpr, 80d X 25w, Non-Marking	1	
22	09023	(00000000-	) Screw, Hex, M8 X 1.25 X 35, Ss, Fl	1	
23	608322	(00000000-	) Screw, Trs, M6 X 1.0 X 16, Phl, Ss	2	
24	1034731	(00000000-	) Screw, Hex, M6 X 1.00 X 16, Ss, Sems	2	
25	1034921	(00000000-	) Label, Logo, White/Black, 4.00l [Fast] (NLA - No Longer Available)	1	
▽	26	9003252	(00000000-	) Cover Kit, Head, Disc, Replmt [Ss5]	1
▲	27	1027068	(00000000-	) Insulation, Sound, Front	1

▽ ASSEMBLY

▲ INCLUDED IN ASSEMBLY

SCRUB HEAD GROUP, CYLINDRICAL 26 in / 650 mm



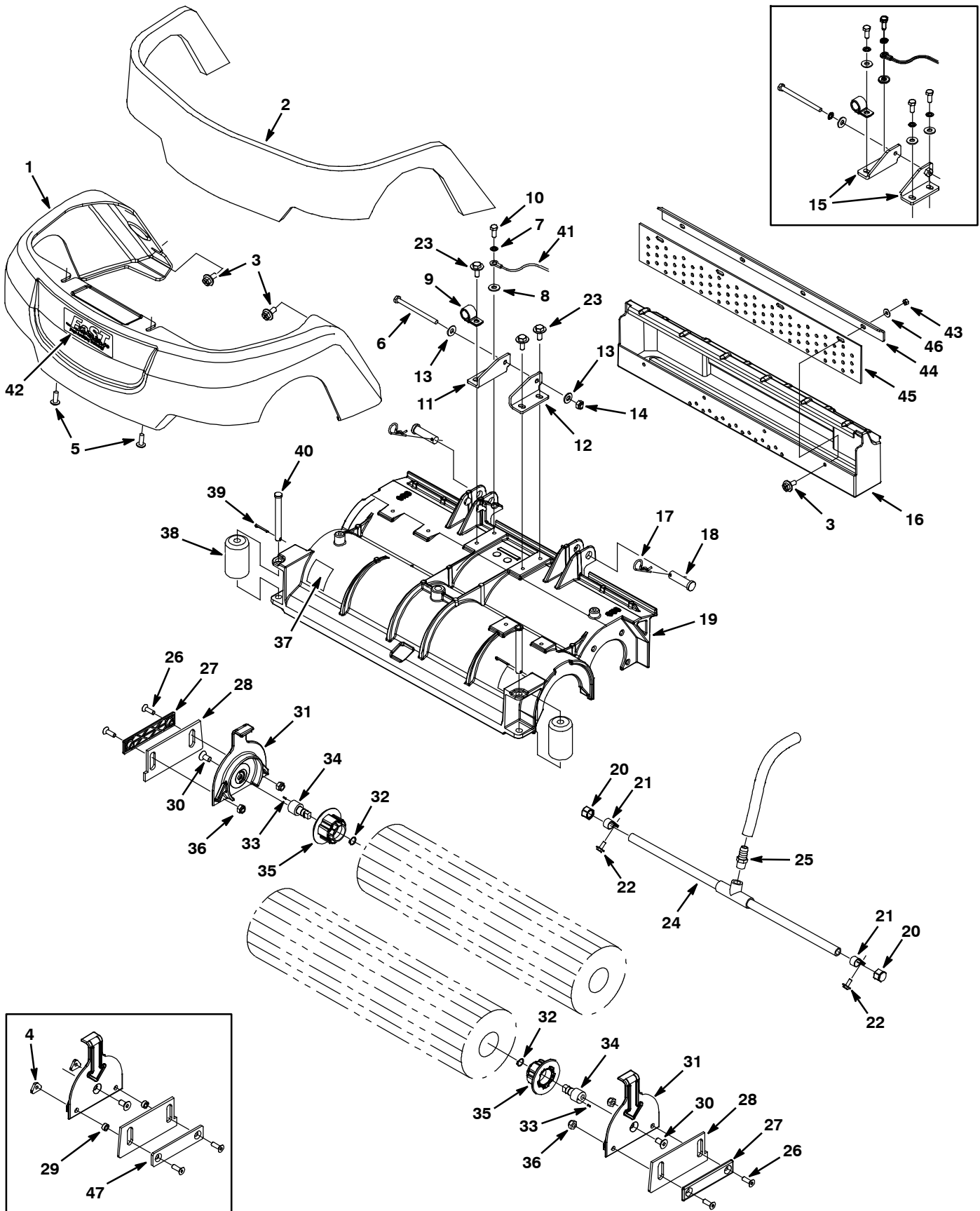
SCRUB HEAD GROUP, CYLINDRICAL 26 in / 650 mm

Ref.	Part No.	Serial Number	Description	Qty.	
1	222692	(00000000-	) Screw, Flt, M8 X1.25 X 25, Ss, 18-8, NI	4	
2	1036245	(10353861-	) Retainer, Blade, Sqge, Side, Blk, Nyl	2	
3	1026292	(00000000-	) Skirt, Side, Scb, Cyl	2	
4	1027221	(00000000-10353860	) Bushing, .325id .235h (Replaced by 1036245)	4	
5	1034731	(00000000-	) Screw, Hex, M6 X 1.00 X 16, Sems, Ss	8	
6	01684	(00000000-	) Washer, Flat, 0.25 Ss	4	
7	1022807	(00000000-	) Cover, Belt	2	
8	1035888	(10338658-	) Belt, Drive, 6Grv, 508l X 14w, [6Pj]	2	
9	1020341	(00000000-	) Screw, Hex, M8 X 1.25 X 20, Sems, Ss	16	
10	01685	(00000000-	) Washer, Flat, 0.31 Ss	4	
11	1035173	(10338658-	) Sheave, 06Grv, 2.96pd, 0.59b, Alm [Pj]	2	
12	00961	(00000000-	) Key, Sq, 0.19 X 0.19, 0.50l	2	
13	1033528	(10338658-	) Sheave, 06Grv, 1.33pd, 0.50b, Alm [Pj]	2	
14	222818	(00000000-	) Screw, Set, #08-32 X 0.25, NI	4	
15	1022401	(00000000-	) Gasket, Cover, Belt	2	
16	41360	(00000000-	) Bearing, Ball, 0.59b 1.26d 0.35w [2seal]	4	
17	1002077	(00000000-	) Spacer, 0.59b 0.81d 0.50l	2	
18	1021036	(00000000-	) Bracket, Motor, Machined	2	
19	00911	(00000000-	) Key, Sq, 0.19 X 0.19, 0.75l	2	
20	1021050	(00000000-	) Shaft, Drive	2	
21	378805	(00000000-	) Plug, Drive, Brush, Mach	2	
22	1029358	(00000000-	) Deflector, Water, Cyl Head	1	
▽	23	1042228	(10419662-	) Motor, Ele, 24vdc 1500rpm 0.75hp 23.0a	2
▲		1049739	(10419662-	) Brush Kit, Carbon, Motor, Replmt [4pcs]	2
▽	23	1050369	(00000000-10419661	) Motor Kit, Cylrcl, Replmt, F/604980 [T5]	2
▲		190152	(00000000-10419661	) Brush, Carbon [Pk=4]	2
▲		605305	(00000000-10419661	) Spring, Motor, F/ Carbon Brush	8
	24	606795	(00000000-10419661	) Harness Motor Cyl-Brush	2
	25	140027	(00000000-10419661	) Washer, Flat, 0.35b 0.75d .04, Ss	4
	26	43952	(00000000-10419661	) Washer, Lock, Int, 0.31 Ss	6
	27	608964	(00000000-10419661	) Boot, 90deg .27id 0.64id 1.79l, Blk	4
	28	08713	(10353861-	) Nut, Hex, Lock, M8 X 1.25, NI, Ss	2
	29	1025026	(00000000-	) Screw, Hex, M8 X 1.25 X 180, Ss	2
	30	1044386	(00000000-	) Bracket, Mounting, Motor	2
	31	1022424	(00000000-	) Stud, Adj, M16, Scrub Head	1
	32	763066	(00000000-	) Nut, Hex, Jam, M16 X 2.0	1
	33	578717	(00000000-	) Screw, Hex, M8 X 1.25 X 50, Ss	2
	34	07786	(00000000-	) Nut, Hex, Std, M8 X 1.25, Ss	2
	35	1022624	(00000000-	) Housing, Head, 65cm Cyl, Mach	1
	36	1024636	(00000000-10338657	) Sprocket, 48t, 5p V2	2
	37	375195	(00000000-10338657	) Sprocket, Timing, 22tooth, 0.50b, [Gt/2]	2
	38	377500	(00000000-10338657	) Belt, Synchronous, 500l, 15mm [05p, Plychn]	2
	39	1052895	(10419662-	) Harness, Adapter, Motor [T7/T5]	1
	40	1026398	(00000000-10353860	) Link, 0.18, 1.3w 05.7l, 2/0.4h, Cham (Replaced by 1036245)	2

▽ ASSEMBLY

▲ INCLUDED IN ASSEMBLY

SCRUB HEAD GROUP, CYLINDRICAL 26 in / 650 mm - CONT'D





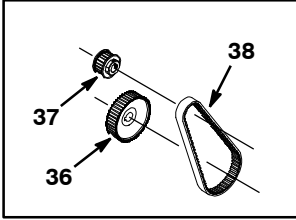
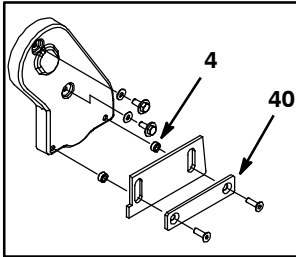
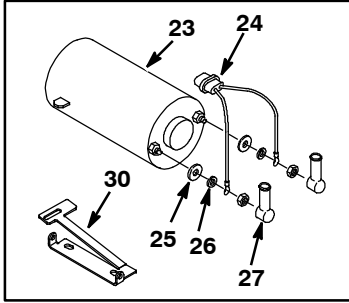
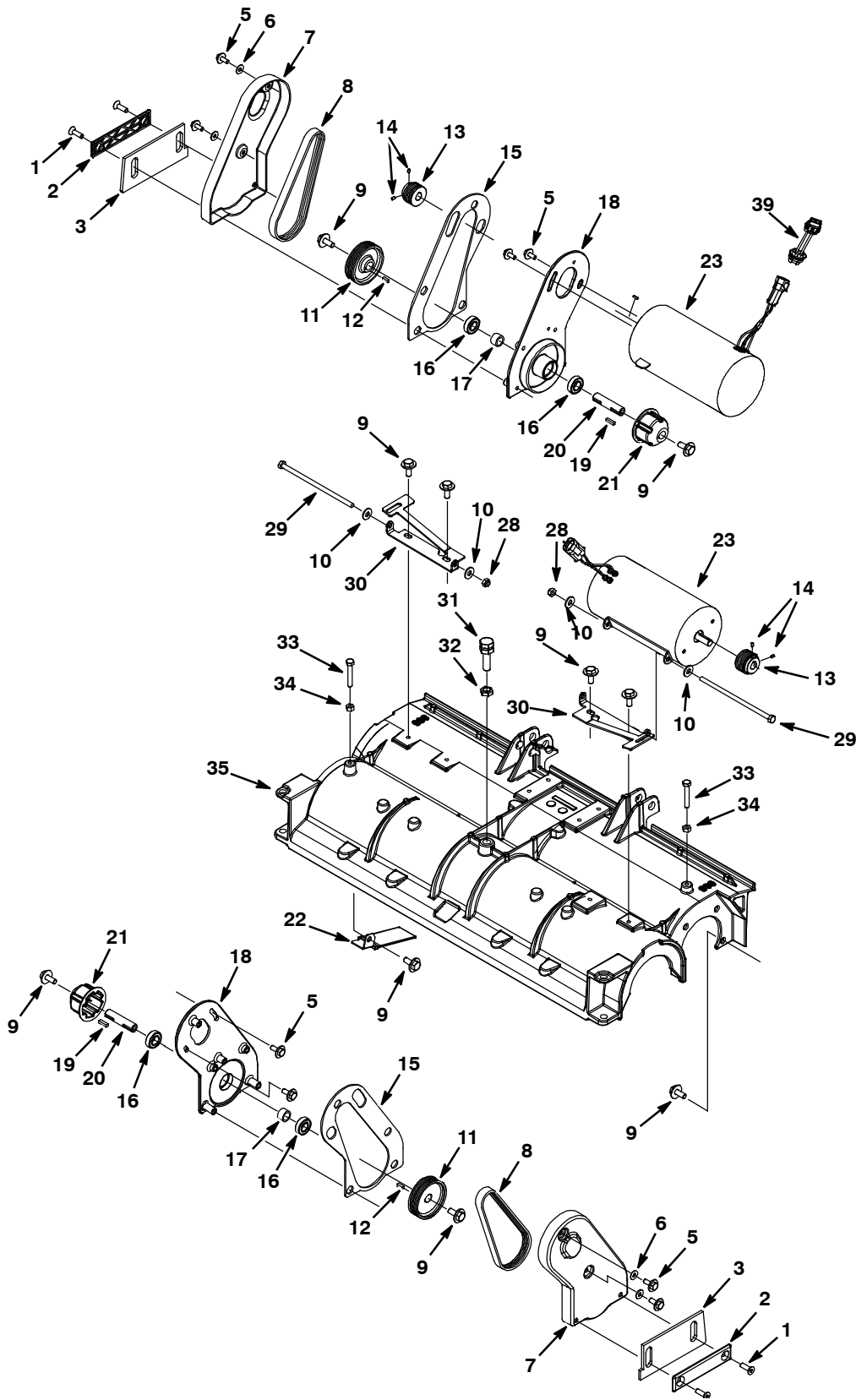
SCRUB HEAD GROUP, CYLINDRICAL 26 in / 650 mm - CONT'D

Ref.	Part No.	Serial Number	Description	Qty.
▽	1	9003253	(00000000- ) Cover Kit, Head, Cyl, Replmt [Ss5]	1
▲	2	1027069	(00000000- ) Insulation, Sound, Front, Cyl	1
	3	1034731	(00000000- ) Screw, Hex, M6 X 1.00 X 16, Sems, Ss	6
	4	607256	(00000000-10353860 ) Nut, Retainer, Spcl, M8, Ss	4
	5	608322	(00000000- ) Screw, Trs, M6 X 1.0 X 16, Phl, Ss	2
	6	364441	(00000000- ) Screw, Hex, M8 X 1.25 X 110, Ss	1
	7	43952	(00000000- ) Washer, Lock, Int, 0.31 Ss	1
	8	01685	(00000000- ) Washer, Flat, 0.31 Ss	1
	9	140314	(00000000- ) Clamp, Cable, Stl, 0.75d X 0.75w, 1h, Yl	1
	10	12273	(00000000- ) Screw, Hex, M8 X 1.25 X 20, Ss, NI	1
	11	1036032	(10330480- ) Bracket, Lift, Head, Rh	1
	12	1036025	(10330480- ) Bracket, Lift, Head, Lh	1
	13	01685	(00000000- ) Washer, Flat, 0.31 Ss	1
	14	08713	(10330480- ) Nut, Hex, Lock, M8 X 1.25, NI, Ss	1
	15	N/A	(00000000-10330479 ) (Replaced By Items #11, 12, 13, & 14)	1
	16	1023465	(00000000- ) Hopper, 65cm, Rm-Blk	1
	17	02942	(00000000- ) Pin, Hair Cotter, 0.62 D .120 Wir	2
	18	222210	(00000000- ) Pin, Clevis, 0.62 D X 2.12l	2
	19	1022624	(00000000- ) Housing, Head, 65cm Cyl, Mach	1
	20	1025580	(00000000- ) Cap, Plstc, Pf12	2
	21	33584	(00000000- ) Clamp, Cable, Stl, 0.63d X 0.50w, 1h	2
	22	1034731	(00000000- ) Screw, Hex, M6 X 1.00 X 16, Sems, Ss	2
	23	1020341	(00000000- ) Screw, Hex, M8 X 1.25 X 20, Sems, Ss	3
	24	1046049	(00000000- ) Tube Assy, Bar, Spray	1
	25	64743	(00000000- ) Fitting, Plstc, Str, Bm08/Pm06	1
	26	222692	(00000000- ) Screw, Flt, M8 X1.25 X 25, Ss, 18-8, NI	4
	27	1036245	(10353861- ) Retainer, Blade, Sqge, Side, Blk, Nyl	2
	28	1026292	(00000000- ) Skirt, Side, Scb, Cyl	2
	29	1027221	(00000000-10353860 ) Bushing, .325id .235h (Replaced by 1036245)	4
▽		1057922	(00000000- ) Door Assy, Cyl Head, [7100]	2
▲	30	390996	(00000000- ) Screw, Flt, M10 X 1.5 X 20, 10.9, NI	1
▲	31	1044145	(00000000- ) Door, Brush	1
▲	32	01516	(00000000- ) Ring, Retaining, Ext, 0.59d, Basic	1
▲	33	222184	(00000000- ) Pin, Roll, .094 D X 0.25l, .094/.097	1
▲	34	222177	(00000000- ) Shaft, Idler Plug	1
▲	35	1057629	(00000000- ) Plug, Idler, Brush, [Sgl Brg]	1
	36	08713	(10353861- ) Nut, Hex, Lock, M8 X 1.25, NI, Ss	4
	37	578769	(00000000- ) Label, Moving Parts	2
	38	222178	(00000000- ) Roller, Pyu, 1.88d 0.53b 3.05l	2
	39	578421	(00000000- ) Pin, Cotter, .125d X 1.00l	2
	40	222196	(00000000- ) Pin, Clevis, 0.50 D X 4.25l	2
	41	1031370	(00000000- ) Wire, 12 Awg X 250mm	1
	42	1034921	(00000000- ) Label, Logo, White/Black, 4.00l [Fast] (NLA - No Longer Available)	1
	43	07785	(00000000- ) Nut, Hex, Std, M6 X 1.0, A2, Ss	4
	44	1023536	(00000000- ) Lip, Tray, Debris, Scrubhead, 65cm	1
	45	1025272	(00000000- ) Skirt, Tray, Debris, 65cm	1
	46	01684	(00000000- ) Washer, Flat, 0.27b 0.69d .05, Ss	4
	47	1026398	(00000000-10353860 ) Link, 0.18, 1.3w 05.7l, 2/0.4h, Cham (Replaced by 1036245)	2

▽ ASSEMBLY

▲ INCLUDED IN ASSEMBLY

SCRUB HEAD GROUP, CYLINDRICAL 32 in / 800 mm



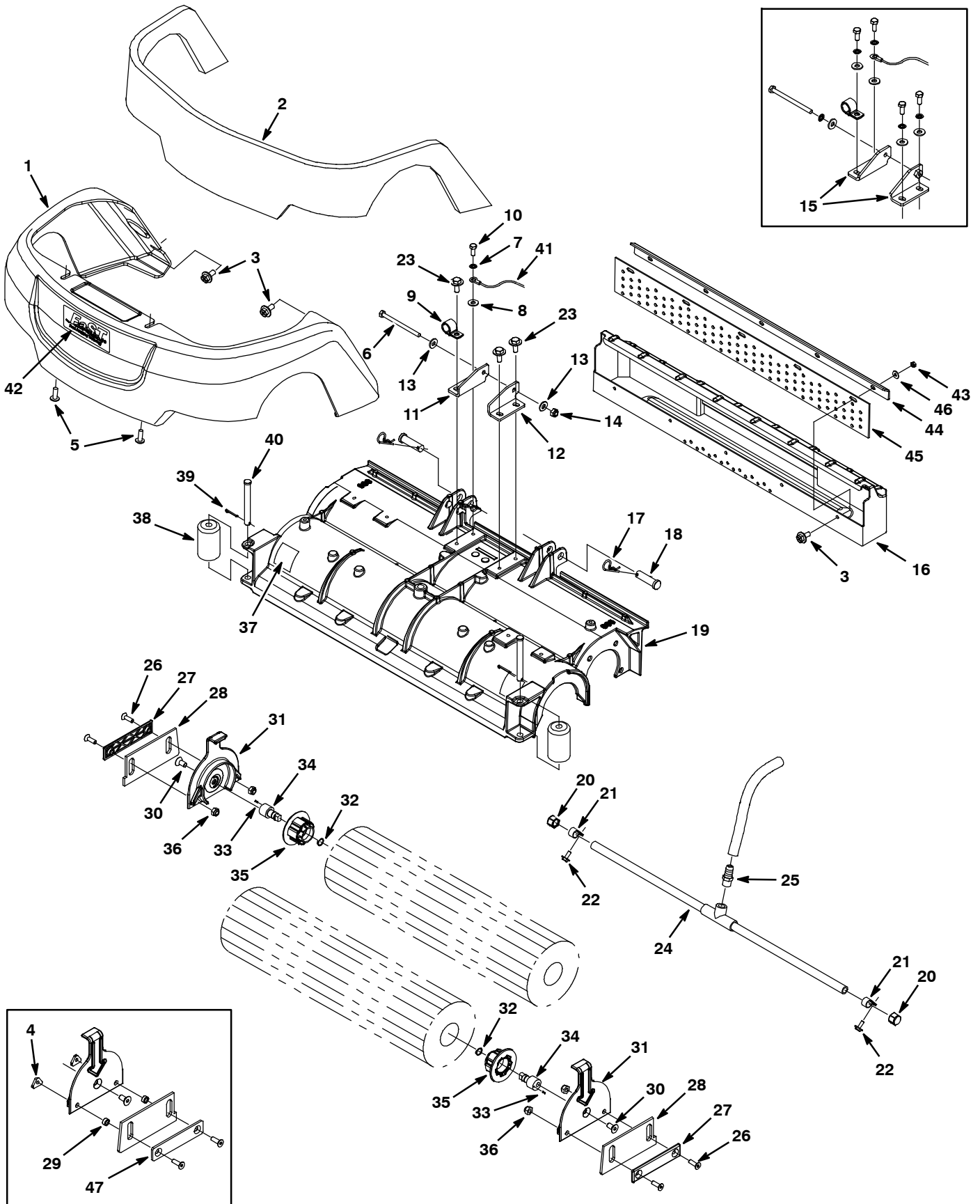
## SCRUB HEAD GROUP, CYLINDRICAL 32 in / 800 mm

Ref.	Part No.	Serial Number	Description	Qty.	
1	222692	(00000000-	) Screw, Flt, M8 X1.25 X 25, Ss, 18-8, NI	4	
2	1036245	(10353861-	) Retainer, Blade, Sqge, Side, Blk, Nyl	2	
3	1026292	(00000000-	) Skirt, Side, Scb, Cyl	2	
4	1027221	(00000000-10353860	) Bushing, .325id .235h (Replaced by 1036245)	4	
5	1034731	(00000000-	) Screw, Hex, M6 X 1.00 X 16, Sems, Ss	8	
6	01684	(00000000-	) Washer, Flat, 0.25 Ss	4	
7	1022807	(00000000-	) Cover, Belt	2	
8	1035888	(10338658-	) Belt, Drive, 6Grv, 508l X 14w, [6Pj]	2	
9	1020341	(00000000-	) Screw, Hex, M8 X 1.25 X 20, Sems, Ss	16	
10	01685	(00000000-	) Washer, Flat, 0.31 Ss	4	
11	1035173	(10338658-	) Sheave, 06Grv, 2.96pd, 0.59b, Alm [Pj]	2	
12	00961	(00000000-	) Key, Sq, 0.19 X 0.19, 0.50l	2	
13	1033528	(10338658-	) Sheave, 06Grv, 1.33pd, 0.50b, Alm [Pj]	2	
14	222818	(00000000-	) Screw, Set, #08-32 X 0.25, NI	4	
15	1022401	(00000000-	) Gasket, Cover, Belt	2	
16	41360	(00000000-	) Bearing, Ball, 0.59b 1.26d 0.35w [2seal]	4	
17	1002077	(00000000-	) Spacer, 0.59b 0.81d 0.50l	2	
18	1021036	(00000000-	) Bracket, Motor, Machined	2	
19	00911	(00000000-	) Key, Sq, 0.19 X 0.19, 0.75l	2	
20	1021050	(00000000-	) Shaft, Drive	2	
21	378805	(00000000-	) Plug, Drive, Brush, Mach	2	
22	1029358	(00000000-	) Deflector, Water, Cyl Head	1	
▽	23	1042228	(10419662-	) Motor, Ele, 24vdc 1500rpm 0.75hp 23.0a	2
▲		1049739	(10419662-	) Brush Kit, Carbon, Motor, Replmt [4pcs]	2
▽	23	1050369	(00000000-10419661	) Motor Kit, Cylrcl, Replmt, F/604980 [T5]	2
▲		190152	(00000000-10419661	) Brush, Carbon [Pk=4]	2
▲		605305	(00000000-10419661	) Spring, Motor, F/ Carbon Brush	8
	24	606795	(00000000-10419661	) Harness Motor Cyl-Brush	2
	25	140027	(00000000-10419661	) Washer, Flat, 0.35b 0.75d .04, Ss	4
	26	43952	(00000000-10419661	) Washer, Lock, Int, 0.31 Ss	6
	27	608964	(00000000-10419661	) Boot, 90deg .27id 0.64id 1.79l, Blk	4
	28	08713	(00000000-	) Nut, Hex, Lock, M8 X 1.25, NI, Ss	2
	29	1025026	(00000000-	) Screw, Hex, M8 X 1.25 X 180, Ss	2
	30	1044386	(00000000-	) Bracket, Mounting, Motor	2
	31	1022424	(00000000-	) Stud, Adj, M16, Scrub Head	1
	32	763066	(00000000-	) Nut, Hex, Jam, M16 X 2.0	1
	33	578717	(00000000-	) Screw, Hex, M8 X 1.25 X 50, Ss	2
	34	07786	(00000000-	) Nut, Hex, Std, M8 X 1.25, Ss	2
	35	1025039	(00000000-	) Housing, Head, 80cm Cyl, Mach	1
	36	1024636	(00000000-10338657	) Sprocket, 48t, 5p V2	2
	37	375195	(00000000-10338657	) Sprocket, Timing, 22tooth, 0.50b, [Gt/2]	2
	38	377500	(00000000-10338657	) Belt, Synchronous, 500l, 15mm [05p, Plychn]	2
	39	1052895	(10409662-	) Harness, Adapter, Motor [T7/T5]	1
	40	1026398	(00000000-10353860	) Link, 0.18, 1.3w 05.7l, 2/0.4h, Cham (Replaced by 1036245)	2

▽ ASSEMBLY

▲ INCLUDED IN ASSEMBLY

SCRUB HEAD GROUP, CYLINDRICAL 32 in / 800 mm - CONT'D



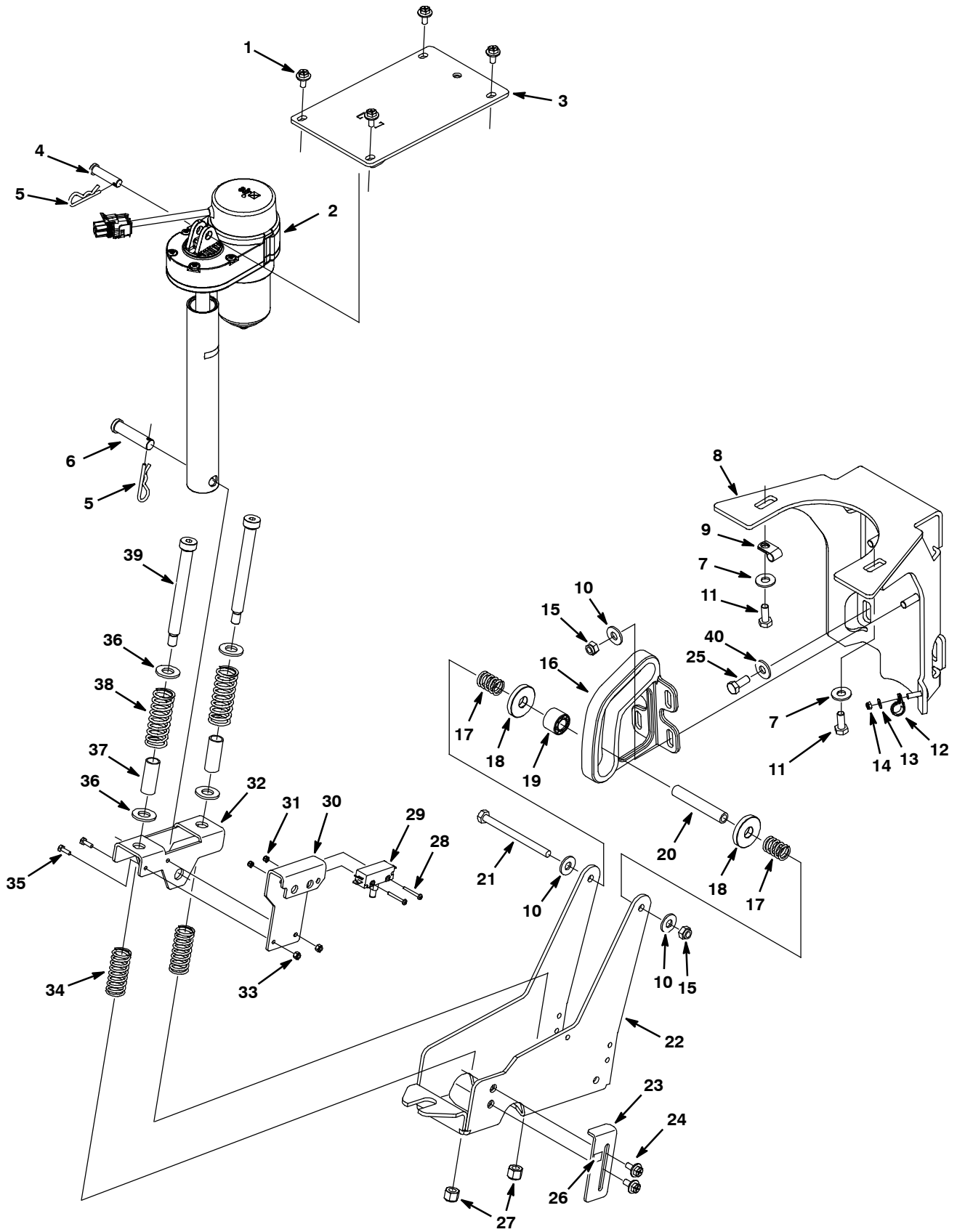
## SCRUB HEAD GROUP, CYLINDRICAL 32 in / 800 mm - CONT'D

Ref.	Part No.	Serial Number	Description	Qty.
▽	1	9003253	(00000000- ) Cover Kit, Head, Cyl, Replmt [Ss5]	1
▲	2	1027069	(00000000- ) Insulation, Sound, Front, Cyl	1
	3	1034731	(00000000- ) Screw, Hex, M6 X 1.00 X 16, Sems, Ss	7
	4	607256	(00000000-10353860 ) Nut, Retainer, Spcl, M8, Ss	4
	5	608322	(00000000- ) Screw, Trs, M6 X 1.0 X 16, Phl, Ss	2
	6	364441	(00000000- ) Screw, Hex, M8 X 1.25 X 110, Ss	1
	7	43952	(00000000- ) Washer, Lock, Int, 0.31 Ss	1
	8	01685	(00000000- ) Washer, Flat, 0.31 Ss	1
	9	140314	(00000000- ) Clamp, Cable, Stl, 0.75d X 0.75w, 1h, Yl	1
	10	12273	(00000000- ) Screw, Hex, M8 X 1.25 X 20, Ss, NI	1
	11	1036032	(10330480- ) Bracket, Lift, Head, Rh	1
	12	1036025	(10330480- ) Bracket, Lift, Head, Lh	1
	13	01685	(10330480- ) Washer, Flat, 0.38b 0.88d .08, Ss	1
	14	08713	(10330480- ) Nut, Hex, Lock, M8 X 1.25, NI, Ss	1
	15	N/A	(00000000-10330479 ) (Replaced By Items #11, 12, 13, & 14)	1
	16	1025127	(00000000- ) Hopper, 80cm [Rm]	1
	17	02942	(00000000- ) Pin, Hair Cotter, 0.62 D .120 Wir	2
	18	222210	(00000000- ) Pin, Clevis, 0.62 D X 2.12l	2
	19	1025039	(00000000- ) Housing, Head, 80cm Cyl, Mach	1
	20	1025580	(00000000- ) Cap, Plstc, Pf12	2
	21	33584	(00000000- ) Clamp, Cable, Stl, 0.63d X 0.50w, 1h	2
	22	1034731	(00000000- ) Screw, Hex, M6 X 1.00 X 16, Sems, Ss	2
	23	1020341	(00000000- ) Screw, Hex, M8 X 1.25 X 20, Sems, Ss	3
	24	1025276	(00000000- ) Tube Assy, Bar, Spray [85cm]	1
	25	64743	(00000000- ) Fitting, Plstc, Str, Bm08/Pm06	1
	26	222692	(00000000- ) Screw, Flt, M8 X1.25 X 25, Ss, 18-8, NI	4
	27	1036245	(10353861- ) Retainer, Blade, Sqge, Side, Blk, Nyl	2
	28	1026292	(00000000- ) Skirt, Side, Scb, Cyl	2
	29	1027221	(00000000-10353860 ) Bushing, .325id .235h (Replaced by 1036245)	4
▽		1057922	(00000000- ) Door Assy, Cyl Head, [7100]	2
▲	30	390996	(00000000- ) Screw, Flt, M10 X 1.5 X 20, 10.9, NI	1
▲	31	1044145	(00000000- ) Door, Brush	1
▲	32	01516	(00000000- ) Ring, Retaining, Ext, 0.59d, Basic	1
▲	33	222184	(00000000- ) Pin, Roll, .094 D X 0.25l, .094/.097	1
▲	34	222177	(00000000- ) Shaft, Idler Plug	1
▲	35	1057629	(00000000- ) Plug, Idler, Brush, [Sgl Brg]	1
	36	08713	(10353861- ) Nut, Hex, Lock, M8 X 1.25, NI, Ss	4
	37	578769	(00000000- ) Label, Moving Parts	2
	38	222178	(00000000- ) Roller, Pyu, 1.88d 0.53b 3.05l	2
	39	578421	(00000000- ) Pin, Cotter, .125d X 1.00l	2
	40	222196	(00000000- ) Pin, Clevis, 0.50 D X 4.25l	2
	41	1031370	(00000000- ) Wire, 12 Awg X 250mm	1
	42	1034921	(00000000- ) Label, Logo, White/Black, 4.00l [Fast] (NLA - No Longer Available)	1
	43	07785	(00000000- ) Nut, Hex, Std, M6 X 1.0, A2, Ss	5
	44	1025150	(00000000- ) Lip, Tray, Debris, Scrubhead, 80cm	1
	45	1025273	(00000000- ) Skirt, Tray, Debris, 80cm	1
	46	01684	(00000000- ) Washer, Flat, 0.25 Ss	5
	47	1026398	(00000000-10353860 ) Link, 0.18, 1.3w 05.7l, 2/0.4h, Cham (Replaced by 1036245)	2

▽ ASSEMBLY

▲ INCLUDED IN ASSEMBLY

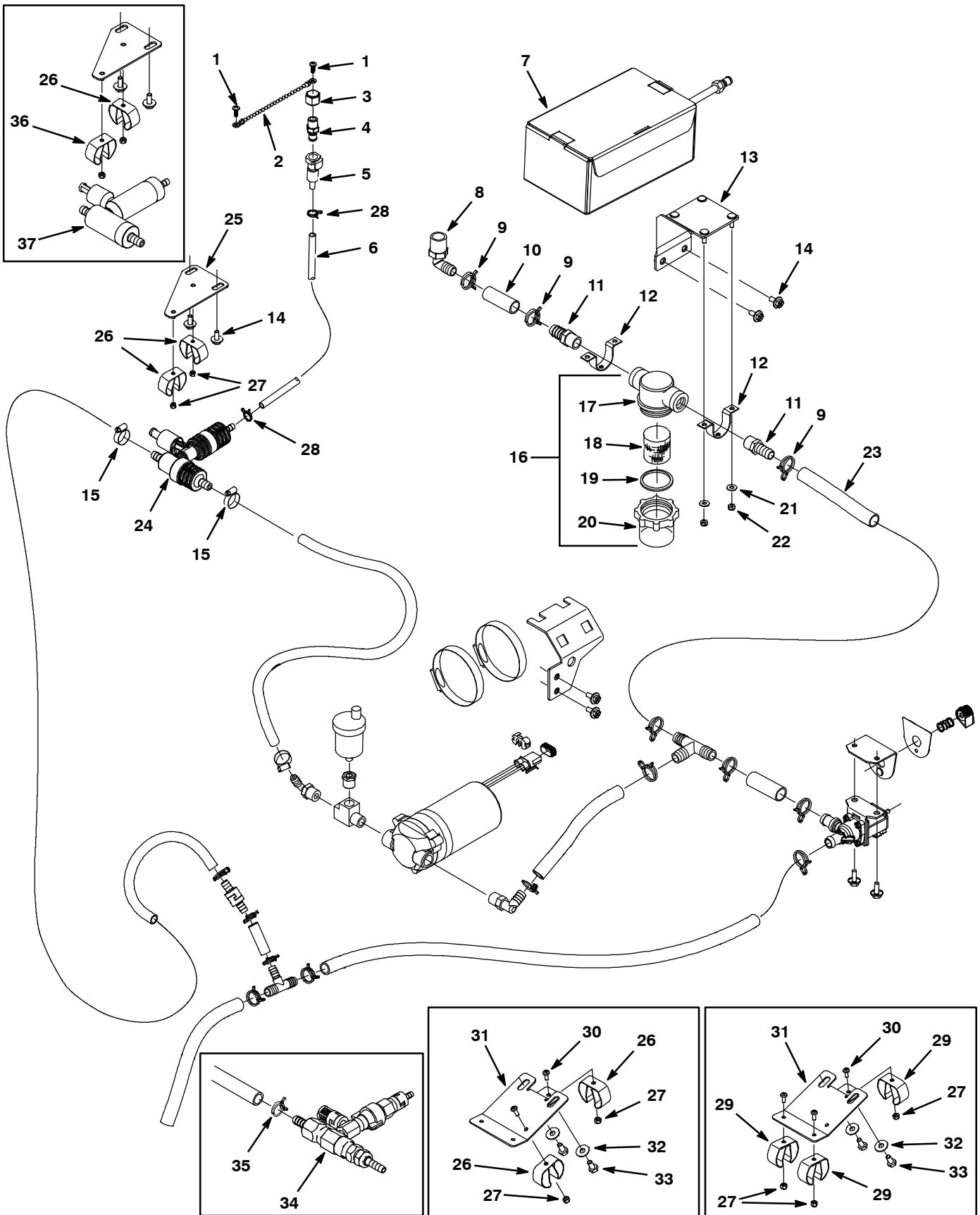
SCRUBHEAD LIFT GROUP



## SCRUBHEAD LIFT GROUP

Ref.	Part No.	Serial Number	Description	Qty.
1	1034731	(00000000-	) Screw, Hex, M6 X 1.00 X 16, Ss, Sems	4
2	1050452	(00000000-	) Actuator, 24vdc, 6.0 Strk, 600 Lb	1
3	1022913	(00000000-	) Bracket Wldt, Actuator, Upper	1
4	29558	(00000000-	) Pin, Clevis, 0.37 D X 1.50l	1
5	140626	(00000000-	) Pin, Hair Cotter, 0.25 D .125 Wir	2
6	51534	(00000000-	) Pin, Clevis, 0.50 D X 2.00l	1
7	69461	(00000000-	) Washer, Flat, 0.38b 0.88d .12, Stl, Pl	2
8	1049367	(00000000-	) Bracket, Sppt, Guide, Rlr	1
9	40678	(00000000-	) Clamp, Cable, Stl, 0.44d X 0.62w, 1h	1
10	01685	(00000000-	) Washer, Flat, 0.31 Ss	6
11	12273	(00000000-	) Screw, Hex, M8 X 1.25 X 20, Ss, NI	2
12	33584	(00000000-	) Clamp, Cable, Stl, 0.63d X 0.50w, 1hole	1
13	01683	(00000000-	) Washer, Flat, #10 Ss	1
14	09739	(00000000-	) Nut, Hex, Lock, M5 X 0.8, NI, Ss	1
15	08713	(00000000-	) Nut, Hex, Lock, M8 X 1.25, NI, Ss	5
16	1056775	(00000000-	) Bracket, Guide, Rlr, Head Lift [T5, Ss5]	1
17	607920	(00000000-	) Spring, Cmpr, 18.3d, 2.4w, 25.4l Mw	2
18	607568	(00000000-	) Washer, P/M, 1.500d, 0.500b 0.25l Bnz	2
19	1023658	(00000000-	) Roller, Linkage, Head Lift	1
20	1023653	(00000000-	) Shaft, Rlr, Head-Lift	1
21	386299	(00000000-	) Screw, Hex, M8 X 1.25 X 100, Ss	1
22	1024911	(00000000-	) Bracket, Roller, Scrubhead, Sheet Metal	1
23	1025002	(00000000-	) Bracket, Switch, Shut-Off	1
24	1034731	(00000000-	) Screw, Hex, M6 X 1.00 X 16, Ss, Sems	2
25	12333	(00000000-	) Screw, Hex, M8 X 1.25 X 25, Ss, NI	2
26	1031984	(00000000-	) Label, Switch, Scrub Head	1
27	59156	(00000000-	) Nut, Hex, Lock, .38-16, NI, Ss	2
28	06923	(00000000-	) Screw, Pan, M3 X 0.50 X 25, 4.8	2
29	606292	(00000000-	) Switch, Push, Actuator, 20a	1
30	1025001	(00000000-	) Bracket, Switch, Down Press	1
31	579211	(00000000-	) Nut, Hex, Lock, M3 X 0.50, Ss	2
32	1023575	(00000000-	) Bracket, Spring, Down Press	1
33	33932	(00000000-	) Nut, Hex, Lock, M4 X 0.70, NI, Ss	2
34	63185	(00000000-	) Spring, Cmpr, 0.85od .09wir 2.0l	2
35	09206	(00000000-	) Screw, Hex, M4 X 0.7 X 12, 8.8	2
36	32486	(00000000-	) Washer, Flat, 0.50 Sae	4
37	1024969	(00000000-	) Sleeve, P/M, 0.629d 09.5	2
38	45261	(00000000-	) Spring, Cmpr, 0.97od .11wir 2.5l	2
39	45960	(00000000-	) Bolt, Shld, .50d X 4.25, .38-16	2
40	1016331	(00000000-	) Washer, Flat, 0.34b 1.25d .11, Ss	2
N/S	130773	(00000000-	) Tie, Cable, Nyl, 11.0l, .14w, 3.0 Max. D	3

SOLUTION GROUP, FaST MODEL





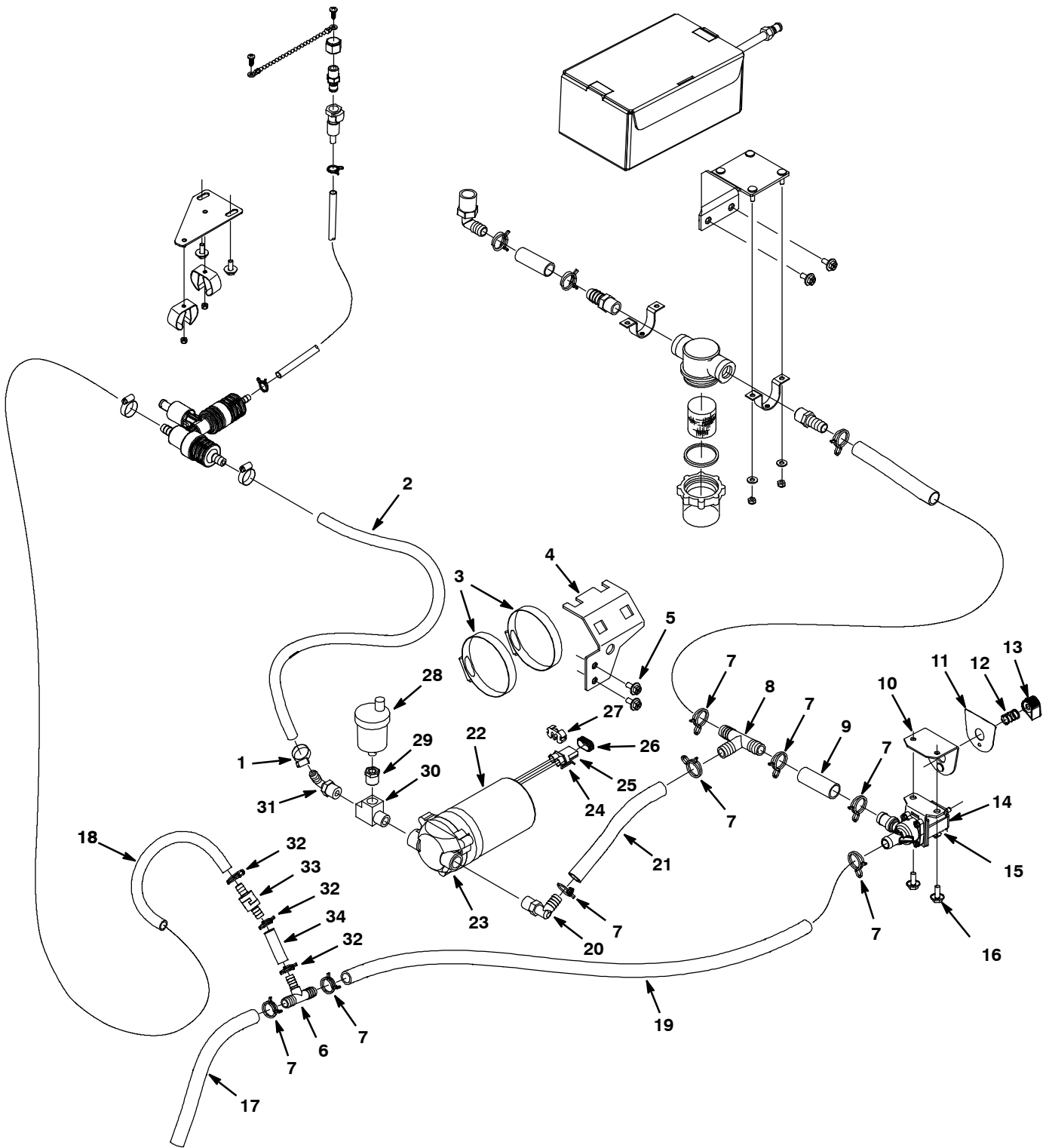
## SOLUTION GROUP, FaST MODEL

Ref.	Part No.	Serial Number	Description	Qty.	
1	1018155	(00000000-	) Screw, Pan, M5 X 0.8 X16, Ss, Tcut	2	
2	621443	(00000000-	) Chain, Ball, #10 X 157l, Ss	1	
3	1005435	(00000000-	) Fitting, Plstc, Cap, Pf04, Pipe	1	
4	1006206	(00000000-	) Fitting, Plstc, Str, Pm04, Cplg,Mal[Nob]	1	
5	1006204	(00000000-	) Coupling, Fem, W/Valve, .25 Brb[Nobles]	1	
6	1006415	(00000000-	) Hose, Afmkt, Pvc, Clr 0.25id 3ft [C460126]	1	
7	1017019	(00000000-	) Detergent Pkg, 2 Liter, Sgl [Mp]	1	
7	1017025	(00000000-	) Detergent Pkg, 2 Liter, Sgl [Mpd]	1	
8	1013505	(00000000-	) Fitting, Plstc, E90, Bm08/Pm08, Nyl	1	
9	607776	(00000000-	) Clamp, Hose, Wire, .73 - .77, Silver	3	
10	069760725	(00000000-	) Hose Sol 1/2idx3.25" [611259]	1	
11	14884	(00000000-	) Fitting, Brs, Str, Bm08/Pm06 [Taped]	2	
12	605056	(00000000-	) Bracket, Mtg, Fltr	2	
13	1023543	(00000000-	) Bracket Wldt, Mtg, Filter	1	
14	1034731	(10369603-	) Screw, Hex, M6 X 1.00 X 16, Ss, Sems	4	
15	54333	(10348538-	) Clamp, Hose, Wormdrive, 0.31-0.88d, .31w	2	
▽	16	1005302	(00000000-	) Filter, In-Line, Pf06/Pf06, 80 Mesh	1
▲	17	613993	(00000000-	) Housing, Top, F/1005302	1
▲	18	1005304	(00000000-	) Screen, Fltr, 80 Mesh	1
▲	19	613992	(00000000-	) Gasket [Viton, F/1005302]	1
▲	20	613991	(00000000-	) Bowl, Clr, Short, F/1005302	1
	21	01683	(00000000-	) Washer, Flat, #10, Ss	4
	22	09739	(00000000-	) Nut, Hex, Lock, M5 X 0.80, NI, Ss	4
	23	613521	(00000000-	) Tube, 0.50id X 0.75od Vyl 1.00ft[611259]	1
	24	9008847	(10538043-	) Fast Kit, Injector[T5 60/65cm, Fast lii] (600 mm Disk & 650 mm Cyl Models)	1
	25	1040982	(10369603-	) Plate, Mtg, Injector [T5/Ss5 Fast li+]	1
	26	573073	(10538043-	) Clip, Grip, Hose, 1.00-1.50, Stl, PI (600 mm Disk & 650 mm Cyl Models)	2
	26	573073	(10347532-	) Clip, Grip, Hose, 1.00-1.50, Stl, PI (700 mm/800 mm Disk & 800 mm Cyl Models)	1
	27	33932	(10347532-	) Nut, Hex, Lock, M4 X 0.7, NI, Ss	2
	27	33932	(00000000-10347531	) Nut, Hex, Lock, M4 X 0.7, NI, Ss	3
	28	613735	(00000000-	) Clamp, Hose, Wir, .40 - .42, Yel	2
	29	1014295	(00000000-10347531	) Clip, Spring, Holder, Blk Vyl Coated	3
	30	49697	(10347532-10369602	) Screw, Pan, M4 X 0.7 X 10, Ss	2
	30	49697	(00000000-10347531	) Screw, Pan, M4 X 0.7 X 10, Ss	3
	31	N/A	(00000000-10369602	) (Replaced By Item #25)	1
	32	01684	(00000000-10369602	) Washer, Flat, 0.25 Ss	2
	33	11635	(00000000-	) Screw, Hex, M6 X 1.0 X 12, Ss, NI	2
	34	9003810	(00000000-10348537	) Fast Kit, Conv, Ci[T5 60/65cm, Fast li+] (600mm Disk & 650mm Cyl Models) (See Breakdowns)	1
	34	9003812	(00000000-10347531	) Fast Kit, Conv, Ci[T5 70/80cm, Fast li+] (700mm/800mm Disk & 800mm Cyl Models) (See Breakdowns)	1
	35	607775	(00000000-10348537	) Clamp, Hose, Wir, .63 - .66, Blk	1
	36	1014295	(00000000-	) Clip, Grip, Hose, 0.75-1.12, Stl,Blk Vyl (700 mm/800 mm Disk & 800 mm Cyl Models)	1
	37	9003907	(10348538-10538042	) Fast Kit, Injector[T5 60/65cm, Fast li+] (See Breakdowns) (Replaced by 9008847)	1
	37	9003908	(10347532-	) Fast Kit, Injector[T5 70/80cm, Fast li+] (See Breakdowns)	1

▽ ASSEMBLY

▲ INCLUDED IN ASSEMBLY

SOLUTION GROUP, FaST MODEL - CONT'D



## SOLUTION GROUP, FaST MODEL - CONT'D

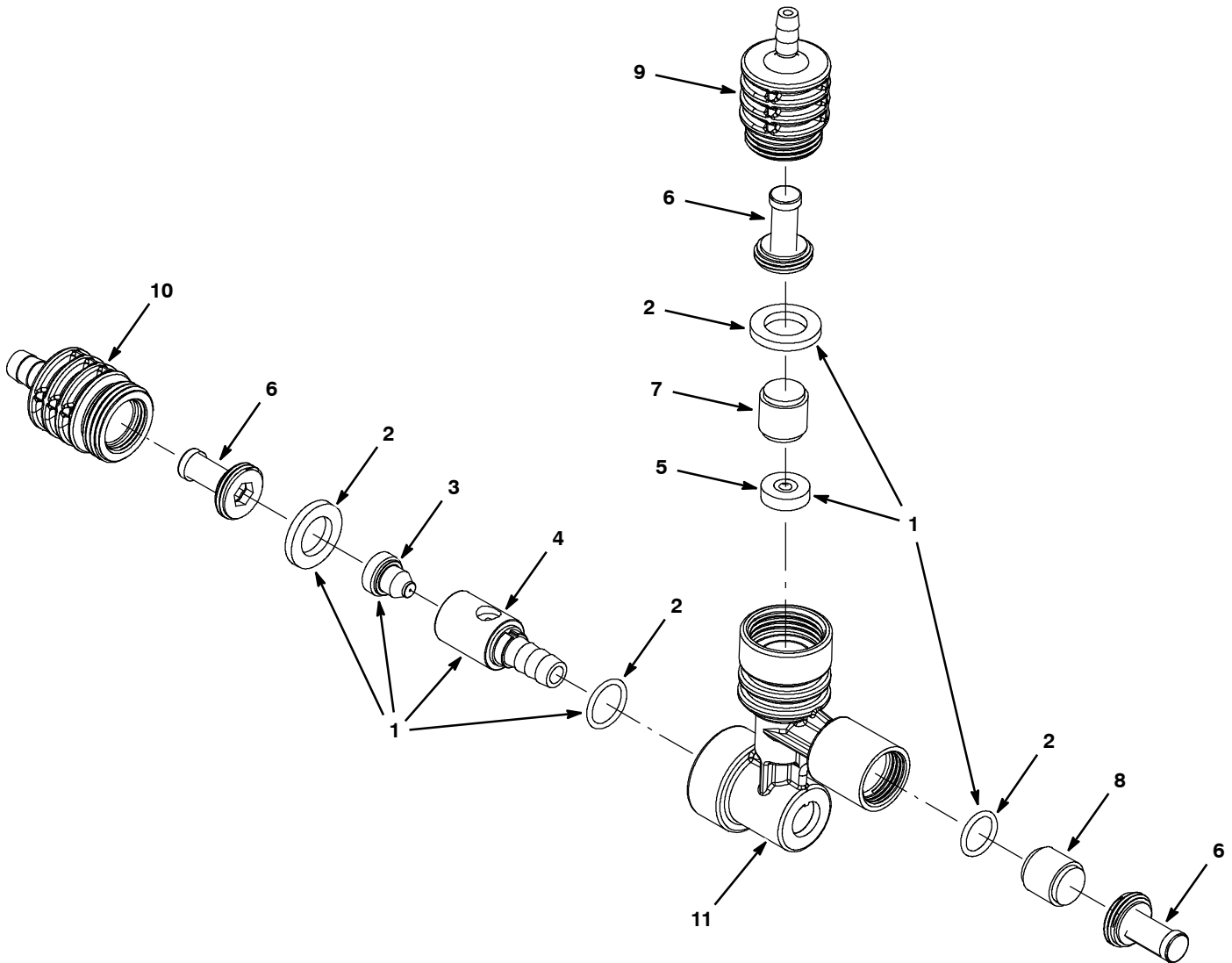
Ref.	Part No.	Serial Number	Description	Qty.
1	54333	(00000000-	) Clamp, Hose, Wormdrive, 0.31-0.88d, .31w	1
2	9002542	(00000000-	) Hose, .38id X 0.6od Pvc 376720 Ft 3.5	1
3	43555	(00000000-	) Clamp, Hose, Wormdrive, 2.50-3.50d, .50w	2
4	1023463	(00000000-	) Bracket, Mtg, Pump	1
5	1034731	(00000000-	) Screw, Hex, M6 X 1.00 X 16, Ss, Sems	2
6	630372	(00000000-	) Fitting, Plstc, Tee, Bm08/Bm06/Bm08	1
7	607776	(00000000-	) Clamp, Hose, Wire, .73 - .77, Silver	8
8	63245-1	(00000000-	) Fitting, Plstc, Tee, Bm08/Bm08/Bm08	1
9	613521	(00000000-	) Tubing 1/2idx3/4od Vnyl 611259 Ft 1.000	1
10	1023537	(00000000-	) Bracket, Label, Soltn	1
11	1024343	(00000000-	) Label, Soltn, Flow	1
12	1017091	(00000000-	) Spring, Cmpr, 0.5od .036wir 00.8l	1
13	1013442	(00000000-	) Knob, Valve, Indicator, Blk	1
▽	14	1062385	) Valve, Water, Solenoid, 24vdc Bm10/Bm10	1
▲	15	614265	) Valve Kit, Water [Viton Diaphragm] (Repair Kit)	1
16	1034731	(00000000-	) Screw, Hex, M6 X 1.00 X 16, Ss, Sems	2
17	613521	(00000000-	) Tube, 0.50id X 0.75od Vyl 1.00ft[611259]	1
18	9004748	(00000000-	) Hose, Pyu, Clr, 0.38id 0.62od 42l	1
19	613531	(00000000-	) Tubing 1/2idx3/4od Vinyl 611259 Ft 3.750	1
20	1017532	(00000000-	) Fitting, Plstc, E90, Bm08/Pm06	1
21	613521	(00000000-	) Tube, 0.50id X 0.75od Vyl 1.00ft[611259]	1
▽	22	1014282	) Pump, Soltn, Ele, 24vdc, 60psi, Packard	1
▲	23	9001240	) Pump Kit, Head, Soltn	1
▲	24	78950	) Connector, Fem, 02cav, Mp280 Sealed	1
▲	25	78951	) Terminal, Fem, Mp280, Sealed, 18-16ga	1
▲	26	10917	) Seal, Wire, 14/16ga [Wp / Mp280 Sealed]	1
▲	27	78952	) Lock, Secondary, 2cav, Mp280 Sealed	1
28	1017386	(00000000-	) Valve, Air Vent, Float Type	1
29	24698	(00000000-	) Fitting, Brs, Str, Pf02/Pm06	1
30	601483	(00000000-	) Fitting, Brs, Tee, Pm06/Pf06, Strt, T	1
31	1005630	(00000000-	) Fitting, Plstc, E90, Bm06/Pm06, Nyl	1
32	607775	(10348538-	) Clamp, Hose, Wir, .63 - .66, Blk	3
32	607775	(00000000-10348537	) Clamp, Hose, Wir, .63 - .66, Blk	4
33	1015455	(00000000-	) Valve, Check, Bm06/Bm06, 5psi	1
34	606362	(00000000-	) Hose 3/8idx5/8odx6.5 (611254)	1

▽ ASSEMBLY

▲ INCLUDED IN ASSEMBLY

# STANDARD PARTS

## 9008847 FAST INJECTOR ASSEMBLY BREAKDOWN (S/N 10538043- ), 600 mm DISK & 650 mm CYLINDRICAL MODELS

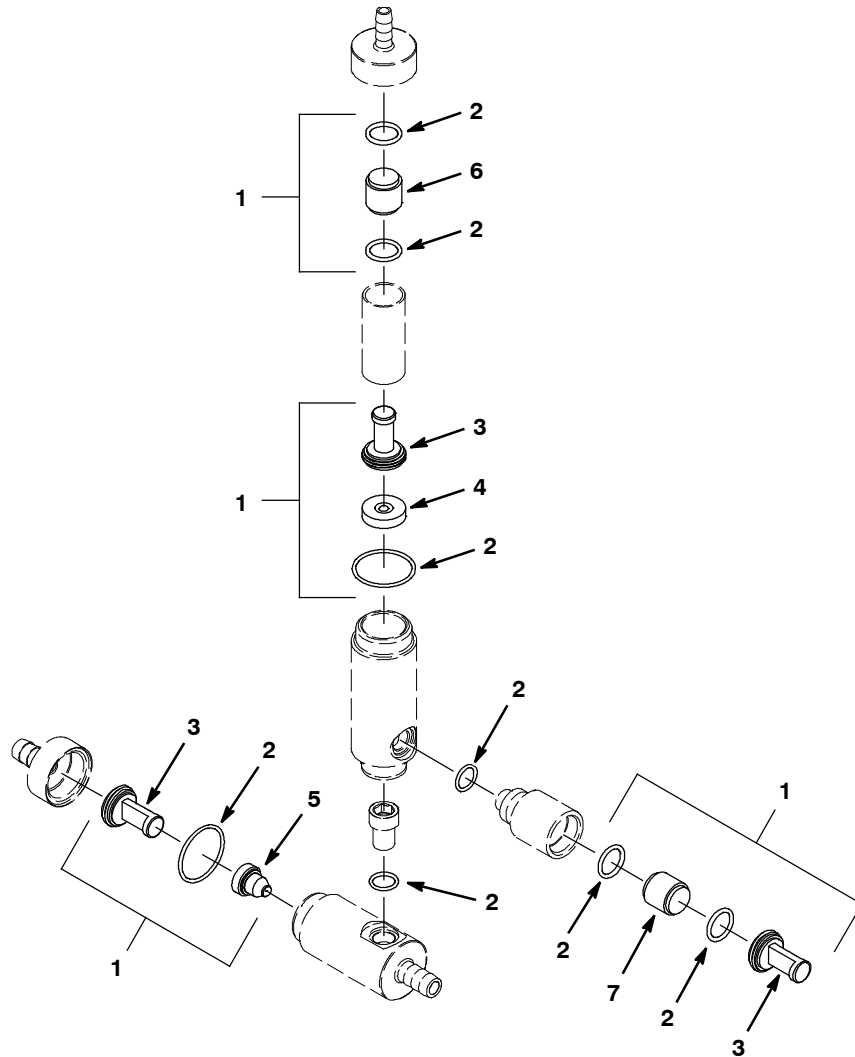


Ref.	Part No.	Serial Number	Description	Qty.	
▽	9008847	(10538043-	) Fast Kit, Injector[T5 60/65cm, Fast lii]	1	
▲▽	1	9003811	(10538043-	) Fast Kit, Ci[Inj Reblid, T5 60/65cm, li+]	1
▲▲	2	9008848	(10538043-	) Fast Kit, Seal, Injector, Ci [Fast lii]	1
▲▲	3	1039989	(10348538-	) Plug, Orifice, 0.030, Ss [Fast li+]	1
▲▲	4	1059250	(10538043-	) Insert, Venturi, Medium, [Fast lii]	1
▲▲	5	1059869	(10538043-	) Plate Assy, Orifice, 0.007id, Red	1
▲	6	9003009	(10348538-	) Fast Kit, Ci, Injector Filters[Fast li+]	1
▲	7	1030444	(10348538-	) Valve, Check, 0002psi [Fast li+]	1
▲	8	1030441	(10348538-	) Valve, Check, 0005psi [Fast li+]	1
▲	9	1058126	(10538043-	) Housing, Fltr, Upper [Fast lii]	1
▲	10	1057811	(10538043-	) Housing, Fltr, Lower [Fast lii]	1
▲	11	1053564	(10538043-	) Housing, Body, Injector [Fast lii]	1

▽ ASSEMBLY

▲ INCLUDED IN ASSEMBLY

**9003907 FAST INJECTOR ASSEMBLY BREAKDOWN (S/N 10348538-10538042)  
600 mm DISK & 650 mm CYLINDRICAL MODELS**



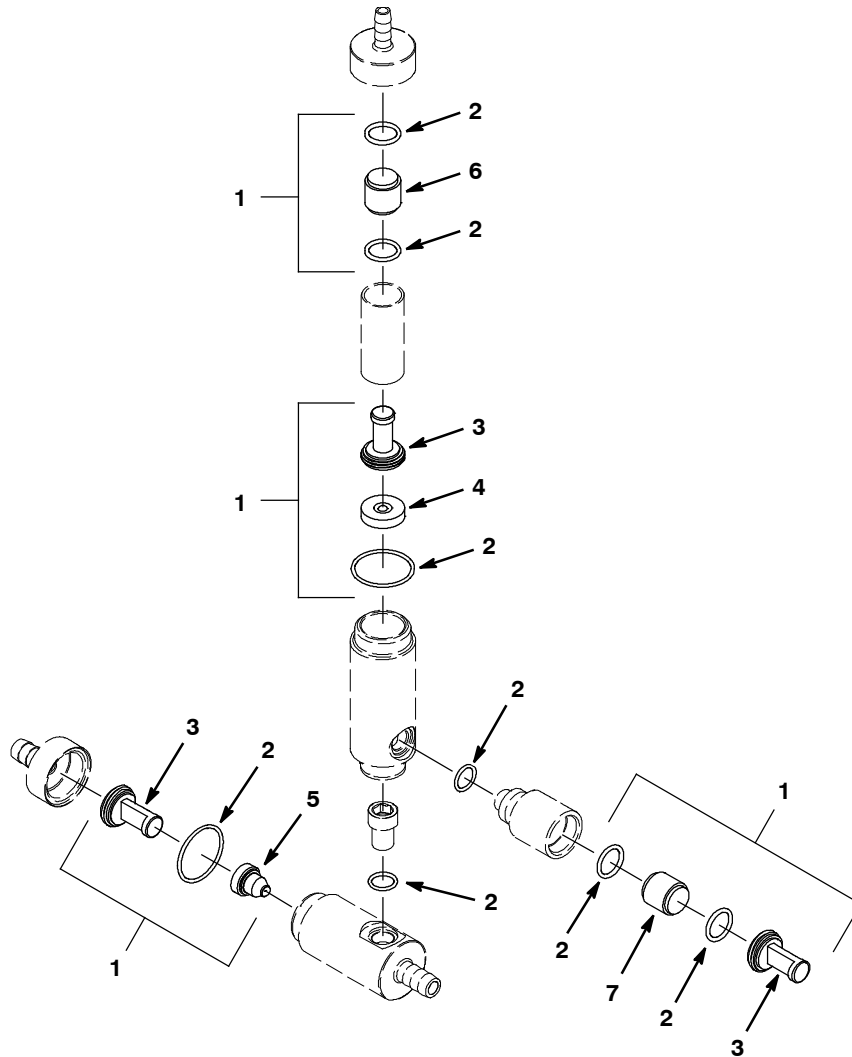
Ref.	Part No.	Serial Number	Description	Qty.
▽	9003907	(10348538-10538042)	Fast Kit, Injector[T5 60/65cm, Fast li+]	1
▲	1	9003811 (10348538-10538042)	Fast Kit, Ci[Inj Reblid, T5 60/65cm, li+]	1
▲	2	9003008 (10348538-10538042)	Fast Kit, Ci, Injector Seals [Fast li+]	1
▲	3	9003009 (10348538-)	Fast Kit, Ci, Injector Filters[Fast li+]	1
▲	4	1032284 (10348538-10538042)	Plate Assy, Orifice, 0.007id, Red	1
▲	5	1039989 (10348538-)	Plug, Orifice, 0.030, Ss [Fast li+]	1
▲	6	1030444 (10348538-)	Valve, Check, 0002psi [Fast li+]	1
▲	7	1030441 (10348538-)	Valve, Check, 0005psi [Fast li+]	1

▽ ASSEMBLY

▲ INCLUDED IN ASSEMBLY

# STANDARD PARTS

## 9003908 FAST INJECTOR ASSEMBLY BREAKDOWN (S/N 10347532- ) 700 mm / 800 mm DISK & 800 mm CYLINDRICAL MODELS

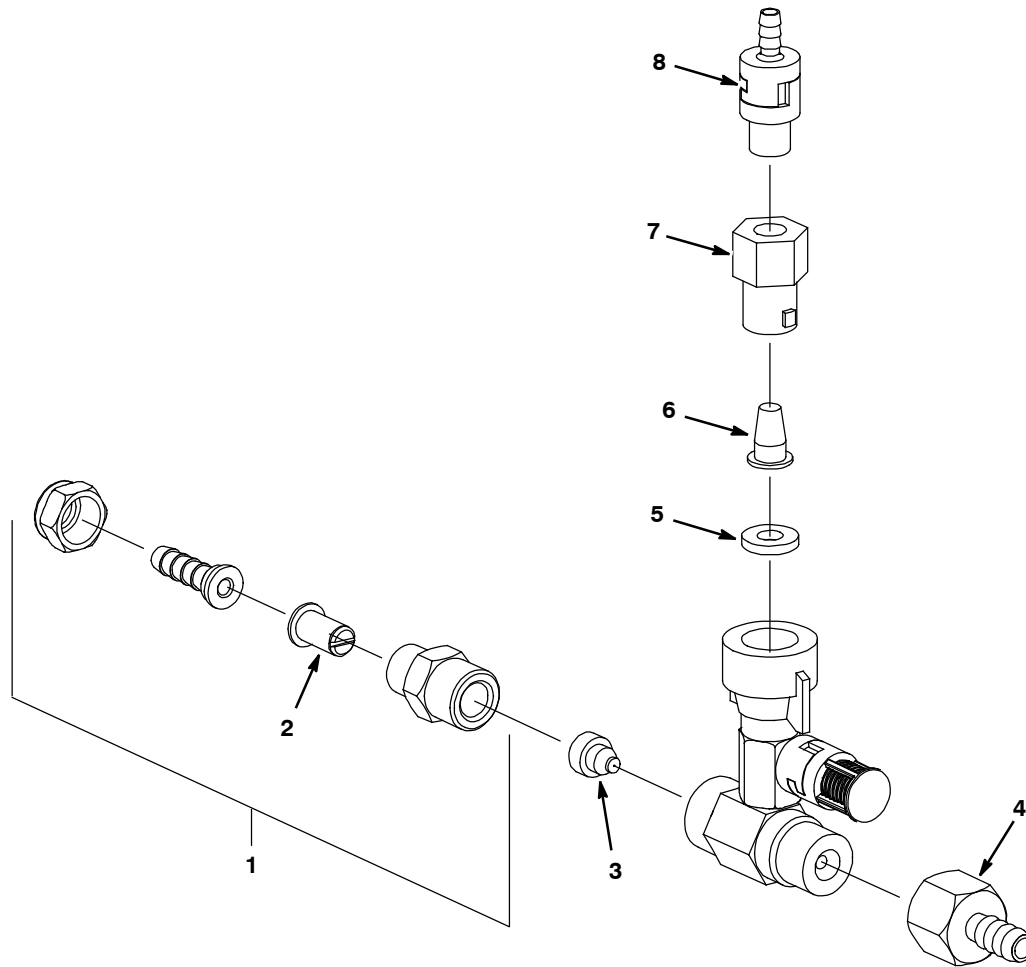


Ref.	Part No.	Serial Number	Description	Qty.
▽	9003908	(10347532- )	Fast Kit, Injector[T5 70/80cm, Fast li+]	1
▲	1	(10347532- )	Fast Kit, Ci[lnj Reblid, T5 70/80cm, li+]	1
▲	2	(10347532- )	Fast Kit, Ci, Injector Seals [Fast li+]	1
▲	3	(10347532- )	3ast Kit, Ci, Injector Filters[Fast li+]	1
▲	4	(10347532- )	Plate Assy, Orifice, 0.0075id, Blu	1
▲	5	(10347532- )	Plug, Orifice, 0.033, Ss [Fast li+]	1
▲	6	(10347532- )	Valve, Check, 0002psi [Fast li+]	1
▲	7	(10347532- )	Valve, Check, 0005psi [Fast li+]	1

▽ ASSEMBLY

▲ INCLUDED IN ASSEMBLY

**9003812 FAST INJECTOR ASSEMBLY BREAKDOWN (S/N 0000000-10347531)  
700 mm / 800 mm DISK & 800 mm CYLINDRICAL MODELS**



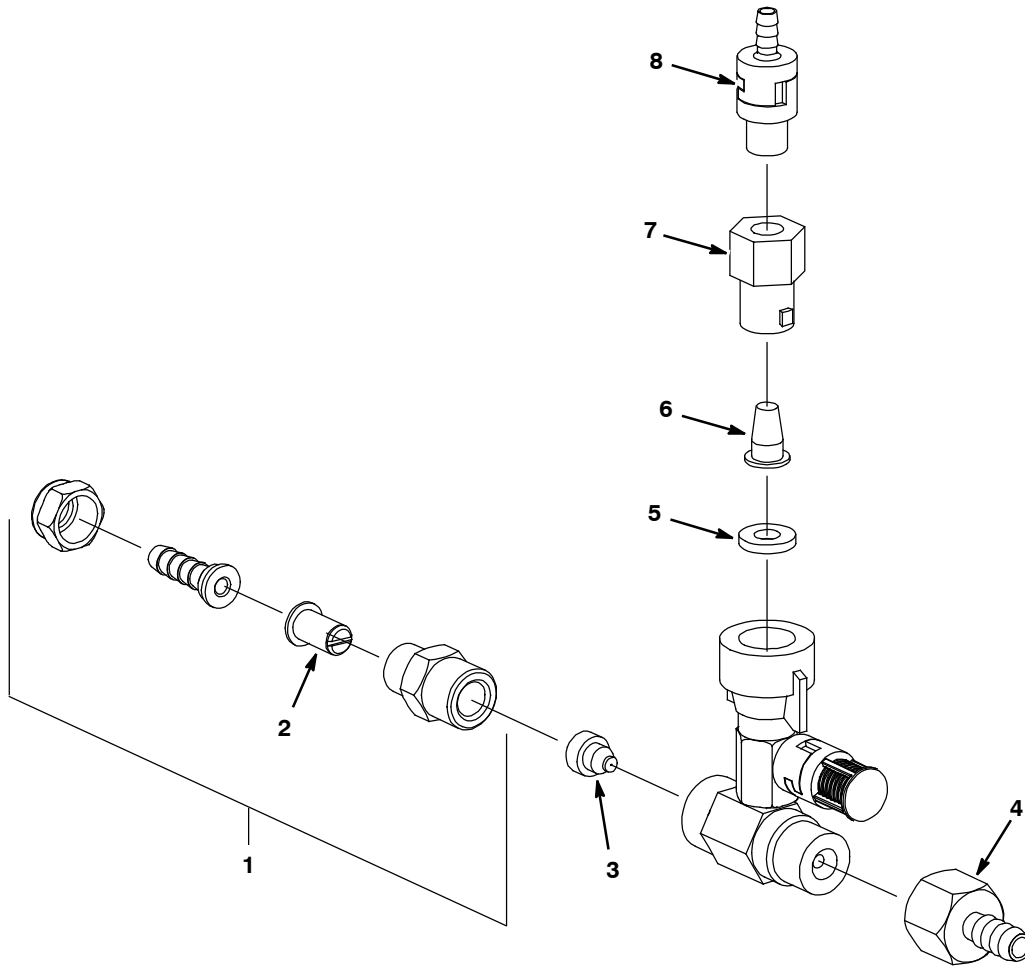
Ref.	Part No.	Serial Number	Description	Qty.
▽	9003812	(00000000-10347531 )	Fast Kit, Conv, Ci[T5 70/80cm, Fast li+]	1
▲	1	1013411 (00000000-10347531 )	Filter Assy, 050mesh	1
▲	2	1006447 (00000000-10347531 )	Vr, Filter, Screen, 050 Mesh .59d .8l Ss	1
	3	1039579 (00000000-10347531 )	Plug, Orifice, 0.033, Ss [Fast li+]	1
	4	1014276 (00000000-10347531 )	Fitting, Brs, Str, Bm06/Pf08	1
	5	1039978 (00000000-10347531 )	Plate Assy, Orifice, 0.0075id, Blu	1
	6	1029355 (00000000-10347531 )	Vr, Filter, Screen, 200 Mesh .59d .8l Ss	1
	7	1005507 (00000000-10347531 )	Fitting, Plstc, Body, Spray, Pf04	1
	8	1014254 (00000000-10347531 )	Valve, Check, 0002psi Bm04/Pm04	1

▽ ASSEMBLY

▲ INCLUDED IN ASSEMBLY

# STANDARD PARTS

## 9003810 FAST INJECTOR ASSEMBLY BREAKDOWN (S/N 00000000-10348537) 600 mm DISK & 650 mm CYLINDRICAL MODELS



Ref.	Part No.	Serial Number	Description	Qty.
▽	9003810	(00000000-10348537 )	Fast Kit, Conv, Ci[T5 60/65cm, Fast li+]	1
▲	1	1013411 (00000000-10348537 )	Filter Assy, 050mesh	1
▲	2	1006447 (00000000-10348537 )	Vr, Filter, Screen, 050 Mesh .59d .8l Ss	1
	3	1039988 (00000000-10348537 )	Plug, Orifice, 0.027, Ss [Fast li+]	1
	4	1014276 (00000000-10348537 )	Fitting, Brs, Str, Bm06/Pf08	1
	5	1032284 (00000000-10348537 )	Plate Assy, Orifice, 0.007id, Red	1
	6	1029355 (00000000-10348537 )	Vr, Filter, Screen, 200 Mesh .59d .8l Ss	1
	7	1005507 (00000000-10348537 )	Fitting, Plstc, Body, Spray, Pf04	1
	8	1014254 (00000000-10348537 )	Valve, Check, 0002psi Bm04/Pm04	1

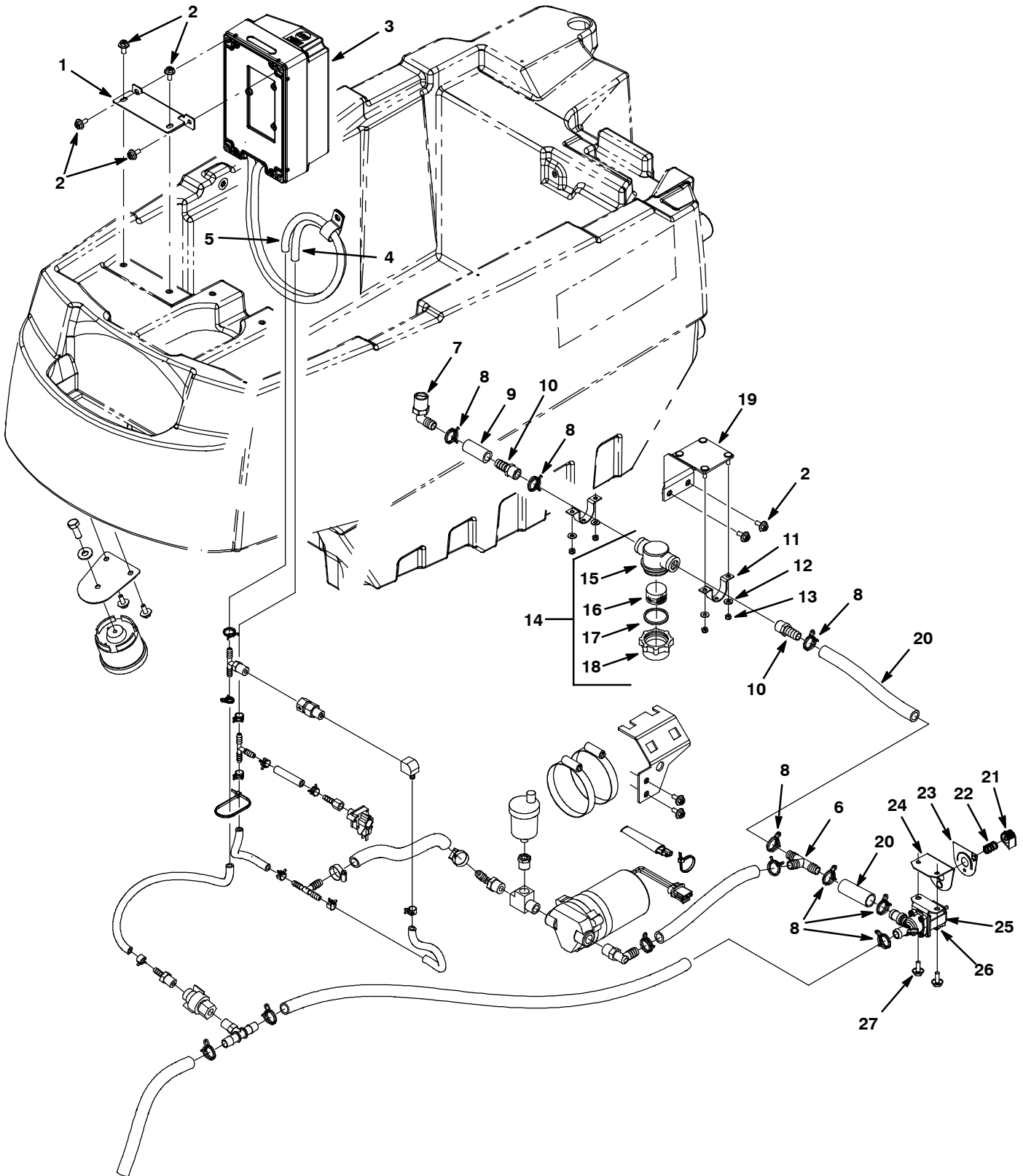
▽ ASSEMBLY

▲ INCLUDED IN ASSEMBLY





SOLUTION GROUP, *ec-H2O* MODEL



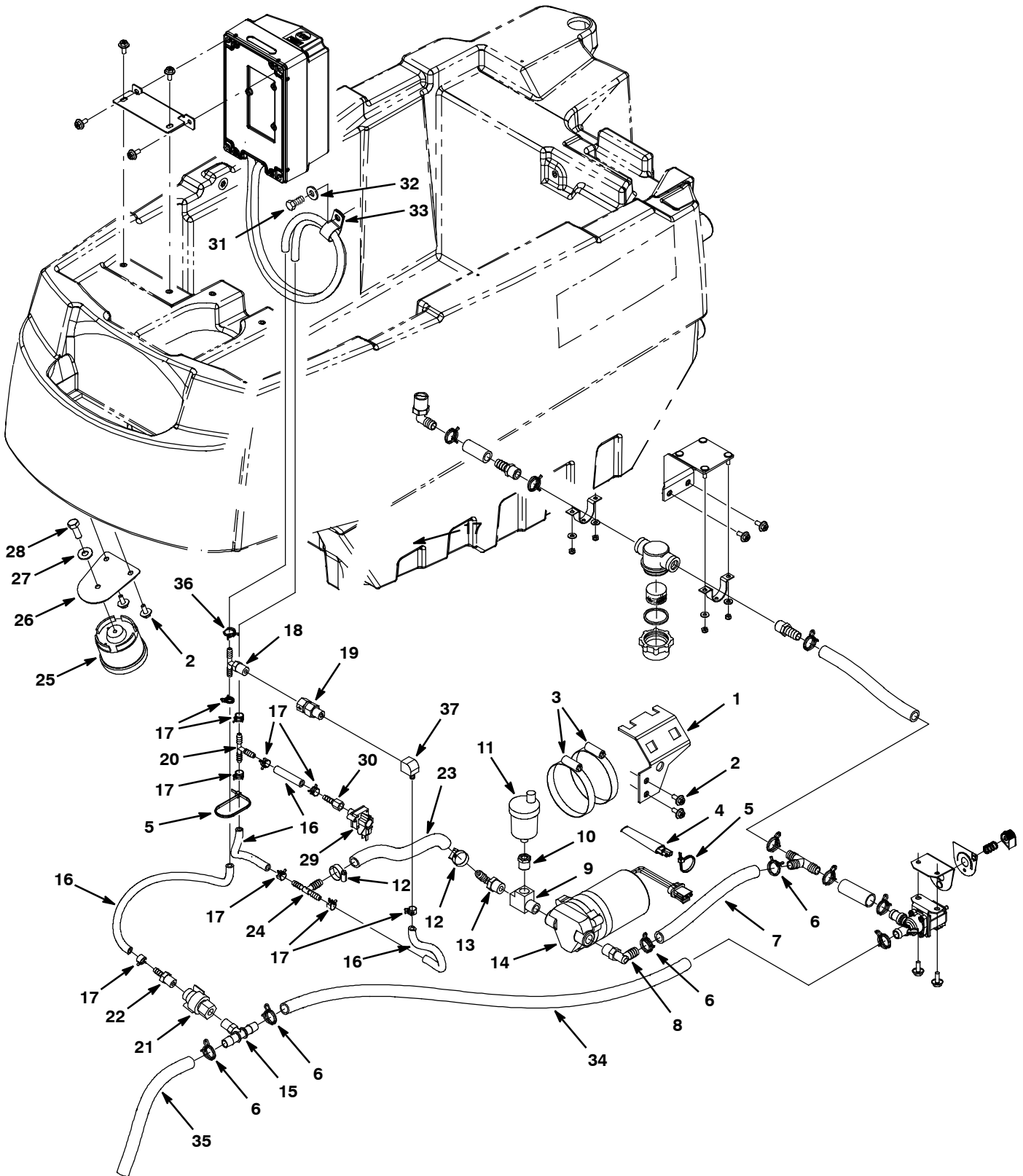
SOLUTION GROUP, *ec-H2O* MODEL

Ref.	Part No.	Serial Number	Description	Qty.
	1	1045965	(10378380- ) Bracket, Mtg, Martini [No2][Ss5]	1
	2	1034731	(10378380- ) Screw, Hex, M6 X 1.00 X 16, Sems, Ss	6
▽	3	9007970	(10448305- ) Module Kit, Replmt [Ec-H2o] (See Breakdown)	1
▲	4	578820000	(10378380- ) Hose, Pvc, Brd, 0.25id 0.44od 157.2l,Clr	1
▲	5	9004606	(10378380- ) Hose, Pvc, Clr, 0.25id 0.38od 064.0l	1
	6	63245-1	(00000000- ) Fitting, Plstc, Tee, Bm08/Bm08/Bm08	1
	7	1013505	(00000000- ) Fitting, Plstc, E90, Bm08/Pm08, Nyl	1
	8	607776	(00000000- ) Clamp, Hose, Wir, .73 - .77, Silver	7
	9	069760725	(00000000- ) Hose, Pvc, Clr, 0.50id 0.75od 003.0l	1
	10	14884	(00000000- ) Fitting, Brs, Str, Bm08/Pm06 [Taped]	2
	11	605056	(00000000- ) Bracket, Mtg, Fltr	2
	12	01683	(00000000- ) Washer, Flat, 10, Ss	4
	13	09739	(00000000- ) Nut, Hex, Lock, M5 X 0.80, NI, Ss	4
▽	14	1005302	(00000000- ) Filter, In-Line, Pf06/Pf06 080mesh 02.6l	1
▲	15	613993	(00000000- ) Housing, Top, F/1005302	1
▲	16	1005304	(00000000- ) Screen, Fltr, 80 Mesh, Ss	1
▲	17	613992	(00000000- ) Gasket [Viton, F/1005302]	1
▲	18	613991	(00000000- ) Bowl, Clr, Short, F/1005302	1
	19	1023543	(00000000- ) Bracket Wldt, Mtg, Filter	1
	20	613521	(00000000- ) Hose, Pvc, Clr, 0.50id 0.75od 012.0l	1
	21	1013442	(00000000- ) Knob, Valve, Indicator, Blk	1
	22	1017091	(00000000- ) Spring, Cmpr, 0.50od .04wir 00.8l	1
	23	1024843	(00000000- ) Manual, Oprtr [2550, Ru]	1
	24	1023537	(00000000- ) Bracket, Label, Soltn	1
▽	25	1062385	(00000000- ) Valve, Water, Solenoid, 24vdc Bm10/Bm10	1
▲	26	614265	(00000000- ) Valve Kit, Water [Viton Diaphram] (Repair Kit)	1
	27	1034731	(00000000- ) Screw, Hex, M6 X 1.00 X 16, Ss, Sems	2

▽ ASSEMBLY

▲ INCLUDED IN ASSEMBLY

SOLUTION GROUP, *ec-H2O* MODEL - CONT'D



SOLUTION GROUP, *ec-H2O* MODEL - CONT'D

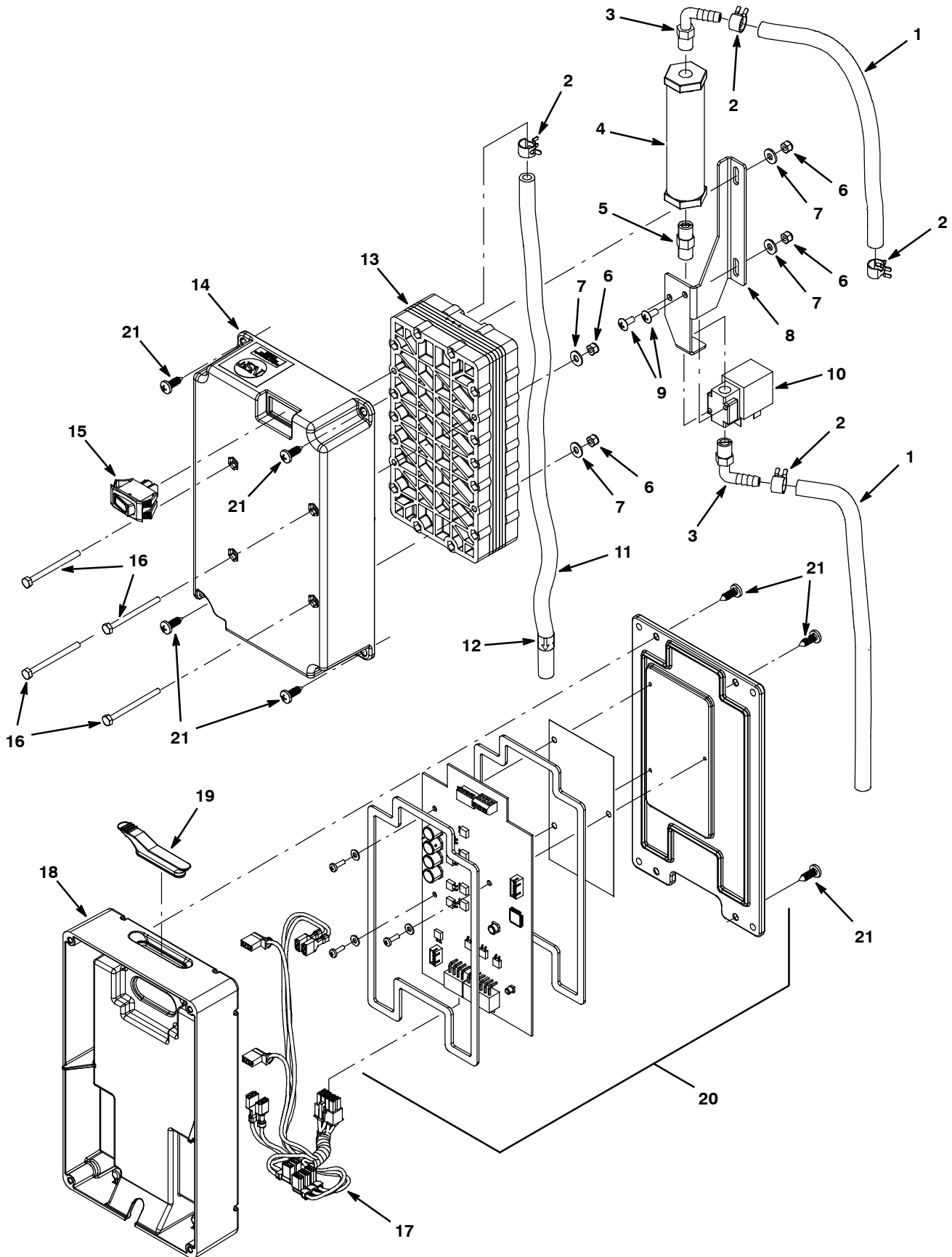
Ref.	Part No.	Serial Number	Description	Qty.	
1	1023463	(00000000-	) Bracket, Mtg, Pump [T5]	1	
2	1034731	(00000000-	) Screw, Hex, M6 X 1.00 X 16, Sems, Ss	4	
3	43555	(00000000-	) Clamp, Hose, Wormdrive, 2.50-3.50d, .50w	2	
4	1040868	(10378380-	) Capacitor, Plug [.01 Uf, 200v]	1	
5	130773	(10378380-	) Tie, Cable, Nyl, 11.0l, .14w, 3.0 Max. D	2	
6	607776	(00000000-	) Clamp, Hose, Wir, .73 - .77, Silver	4	
7	613521	(10378380-	) Hose, Pvc, Clr, 0.50id 0.75od 012.0l	1	
8	1017532	(00000000-	) Fitting, Plstc, E90, Bm08/Pm06	1	
9	601483	(00000000-	) Fitting, Brs, Tee, Pf06/Pf06/Pm06, Run	1	
10	24698	(00000000-	) Fitting, Brs, Str, Pf02/Pm06	1	
11	1017386	(00000000-	) Valve, Vent, Air, Float Type	1	
12	54333	(00000000-	) Clamp, Hose, Wormdrive, 0.31-0.88d, .31w	2	
13	1005630	(00000000-	) Fitting, Plstc, E90, Bm06/Pm06, Nyl	1	
▽	14	1042495	(10378380-	) Pump, Soltn, Ele, 24vdc, 35psi	1
▲		9004759	(10378380-	) Pump Kit, Head, Soltn [Echo]	1
▲		78950	(00000000-	) Connector, Fem, 2cav, Mp280 Sealed	1
▲		78951	(00000000-	) Terminal, Fem, Mp280, Sealed, 18-16ga	1
▲		10917	(00000000-	) Seal, Wire, 14/16ga [Wp / Mp280 Sealed]	1
▲		78952	(00000000-	) Lock, Secondary, 2cav, Mp280 Sealed	1
15	1010791	(10378380-	) Fitting, Plstc, Tee, Bm08/Bm08/Pm04, Br	1	
16	578820000	(10378380-	) Hose, Pvc, Brd, 0.25id 0.44od 157.2l,Clr	1	
17	603654	(10378380-	) Clamp, Hose, Ear, .44d [Ctb]	9	
18	607306	(10378380-	) Fitting, Plstc, Tee, Bm04/Bm04/Pm04, Br	1	
19	1044790	(10378380-	) Valve, Check, 0025psi Pm04/Pf04	1	
20	150713	(10378380-	) Fitting, Plstc, Tee, Bm04/Bm04/Bm04	1	
21	1043866	(10378380-	) Fitting Assy, Qd, Pf04	1	
22	50901	(10378380-	) Fitting, Plstc, Str, Bm04/Pm04	2	
23	1006400	(10378380-	) Hose, Afmkt, Pvc, Brd, 0.38id, 03ft, Clr	1	
24	1014441	(10378380-	) Fitting, Plstc, Tee, Bm04/Bm04/Bm06, Br	1	
25	1018505	(10455033-	) Horn, 12-48vdc [88.5 Decibels]	1	
25	392937	(10378380-10455032	) Horn, 12-48vdc [94 Decibels]	1	
26	1044192	(10378380-	) Bracket, Mtg, Horn, Echo	1	
27	01685	(10378380-	) Washer, Flat, 0.38b 0.88d .08, Ss	1	
28	01697	(10378380-	) Screw, Hex, .25-20 X 0.62, Ss	1	
29	1044414	(10378380-	) Switch, Press, 12psi, Pm02	1	
30	150520	(10378380-	) Fitting, Brs, Str, Bm04/Pf02	1	
31	12273	(10378380-	) Screw, Hex, M8 X 1.25 X 20, NI, Ss	1	
32	69461	(10378380-	) Washer, Flat, 0.38b 0.88d .12, Stl, Pl	1	
33	69234	(10378380-	) Clamp, Cable, Stl, 1.00d X 0.75w, 1hole	1	
34	613531	(00000000-	) Hose, Pvc, Clr, 0.50id 0.75od 045.0l	1	
35	613521	(00000000-	) Hose, Pvc, Clr, 0.50id 0.75od 012.0l	1	
36	613735	(10378380-	) Clamp, Hose, Wir, .40 - .42, Yel	1	
37	1028773	(00000000-	) Fitting, Brs, E90, Bm04/Pf04	1	

▽ ASSEMBLY

▲ INCLUDED IN ASSEMBLY

# STANDARD PARTS

## ec-H2O MODULE ASSEMBLY BREAKDOWN, 9007970 (S/N 10448305- )



**ec-H2O MODULE ASSEMBLY BREAKDOWN, 9007970 (S/N 10448305- )**

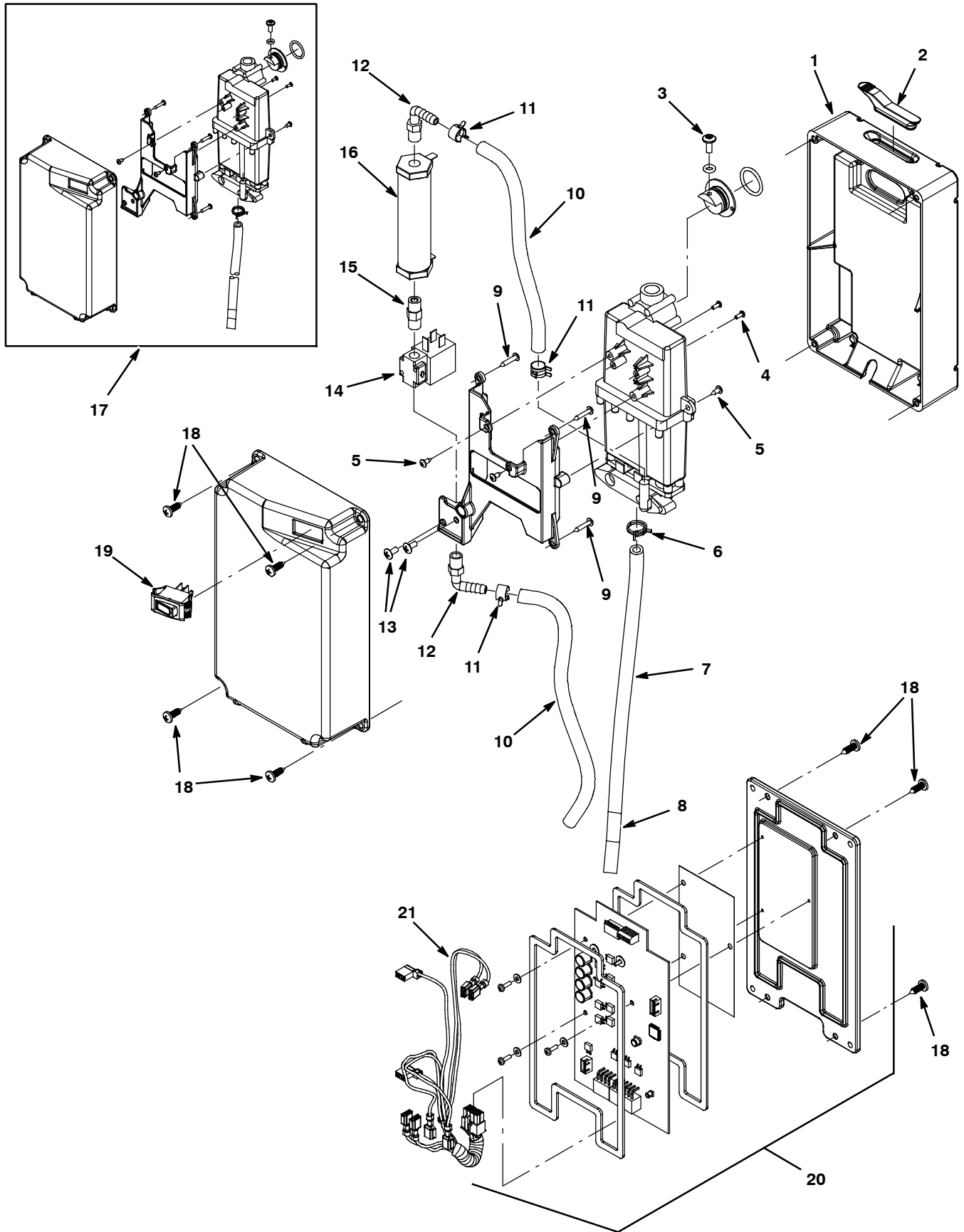
Ref.	Part No.	Serial Number	Description	Qty.
▽	9007970	(00000000-	) Module Kit, Replmt [Ec-H2o]	1
▲▽	9006324	(00000000-	) Ec-H2o Kit [Module B, Plumbing]	1
▲▲	1 578820000	(00000000-	) Hose, Pvc, Brd, 0.25id 0.44od 157.2l,Clr	1
▲▲	2 603654	(00000000-	) Clamp, Hose, Ear, .44d [Ctb]	4
▲▲	3 1037595	(00000000-	) Fitting, Plstc, E90, Bm04/Pm02, Nyl	2
▲▲	4 1062006	(00000000-	) Electrode, Cylindrical	1
▲▲	5 1045030	(00000000-	) Fitting, Brs, Str, Pm02/Pm02	1
▲▲	6 33932	(00000000-	) Nut, Hex, Lock, M4 X 0.70, NI, Ss	4
▲▲	7 41579	(00000000-	) Washer, Flat, 08, Ss	4
▲▲	8 1048490	(00000000-	) Bracket, Valve	1
▲▲	9 140801	(00000000-	) Screw, Trs, Phl, 08-32 X 0.38, Ss	2
▲▲	10 1013236	(00000000-	) Valve, Shutoff, Ele, 24vdc	1
▲▲	11 9006574	(00000000-	) Hose, Pvc, Brd, 0.25id 0.45od, 65l, Clr	1
▲▲	12 1049637	(00000000-	) Label, Direction [Ec-H2o]	1
▲▲	13 1057637	(00000000-	) Electrode, 5 Plate, High Flow	1
▲▲	14 1051519	(00000000-	) Housing, Upper, Module, High Flow	1
▲▲	15 1044393	(00000000-	) Switch, Rocker, Spst, Mom,	1
▲▲	16 32509	(00000000-	) Screw, Hex, M4 X 0.70 X 50, Ss	4
▲▲	17 1049489	(00000000-	) Harness, Main, Controller [Ec-H2o, P3]	1
▲	18 1037032	(00000000-	) Housing, Bottom	1
▲	19 1054776	(00000000-	) Grommet, Blind	1
▲	20 9007969	(00000000-	) Controller Kit, Replmt [Ec-H2o]	1
▲	21 1018155	(00000000-	) Screw, Pan, Phl, M5 X 0.80 X 16, Tcut,Ss	8

▽ ASSEMBLY

▲ INCLUDED IN ASSEMBLY

# STANDARD PARTS

## ec-H2O MODULE ASSEMBLY BREAKDOWN, 9006161 (S/N 10378380-10448304)





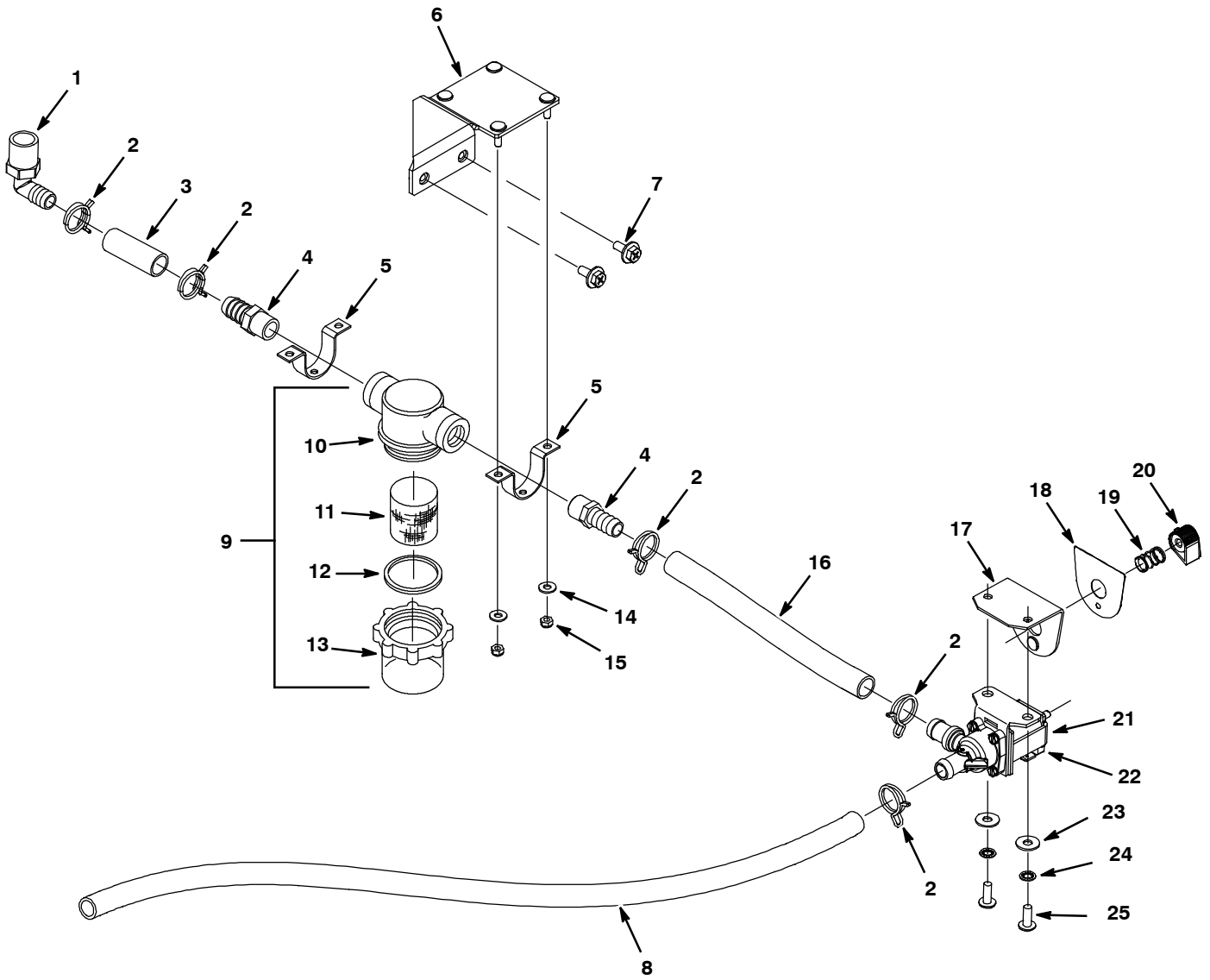
**ec-H2O MODULE ASSEMBLY BREAKDOWN, 9006161 (S/N 10378380-10448304)**

Ref.	Part No.	Serial Number	Description	Qty.
▽	9006161	(10378380-10448304 )	Module Kit, Replmt [Ec-H2o]	1
▲	1 1037032	(10378380- )	Housing, Bottom	1
▲	2 1054776	(10378380- )	Grommet, Blind	1
▲	3 609062	(10378380-10448304 )	Screw, Trs, Phl, 08-32 X 0.38, Ss	1
▲	4 578860	(10378380-10448304 )	Screw, Pan, Phl, 04-40 X 0.31, Pl	2
▲	5 3701.6	(10378380-10448304 )	Screw, Pan, Phl, 06-32 X 0.38, Shtmtl,Ss	4
▲	6 613735	(10378380- )	Clamp, Hose, Wir, .40 - .42, Yel	1
▲	7 9004606	(10378380-10448304 )	Hose, Pvc, Brd, .25id .45od 46l, Clr	1
▲	8 1049637	(10378380- )	Label, Direction [Ec-H2o]	1
▲	9 140826	(10378380-10448304 )	Screw, Pan, 06-32 X 0.75, Fmg/Ab, Ss	4
▲	10 578820000	(10378380- )	Hose, Pvc, Brd, 0.25id 0.44od 157.2l,Clr	1
▲	11 603654	(10378380- )	Clamp, Hose, Ear, .44d [Ctb]	4
▲	12 1037595	(10378380- )	Fitting, Plstc, E90, Bm04/Pm02, Nyl	2
▲	13 140801	(10378380-10448304 )	Screw, Trs, Phl, 08-32 X 0.38, Ss	2
▲	14 1013236	(10378380- )	Valve, Shutoff, Ele, 24vdc	1
▲	15 1045030	(10378380- )	Fitting, Brs, Str, Pm02/Pm02	1
▲	16 1038159	(10378380- )	Electrode, Cylindrical	1
▲	17 N/A	(10378380-10448304 )	Part Not Sold Separately - Order E-Cell Upgrade Kit P/N 9006324	1
▲	18 1018155	(10378380- )	Screw, Pan, Phl, M5 X 0.80 X 16, Tcut,Ss	8
▲	19 1044393	(10378380- )	Switch, Rocker, Spst, Mom,	1
▲	20 9006159	(10378380- )	Controller Kit, Replmt [Ec-H2o]	1
▲	21 1044399	(10378380-10448304 )	Harness, Main, Controller [Ec-H2o, P3]	1

▽ ASSEMBLY

▲ INCLUDED IN ASSEMBLY

SOLUTION GROUP, STANDARD MODEL



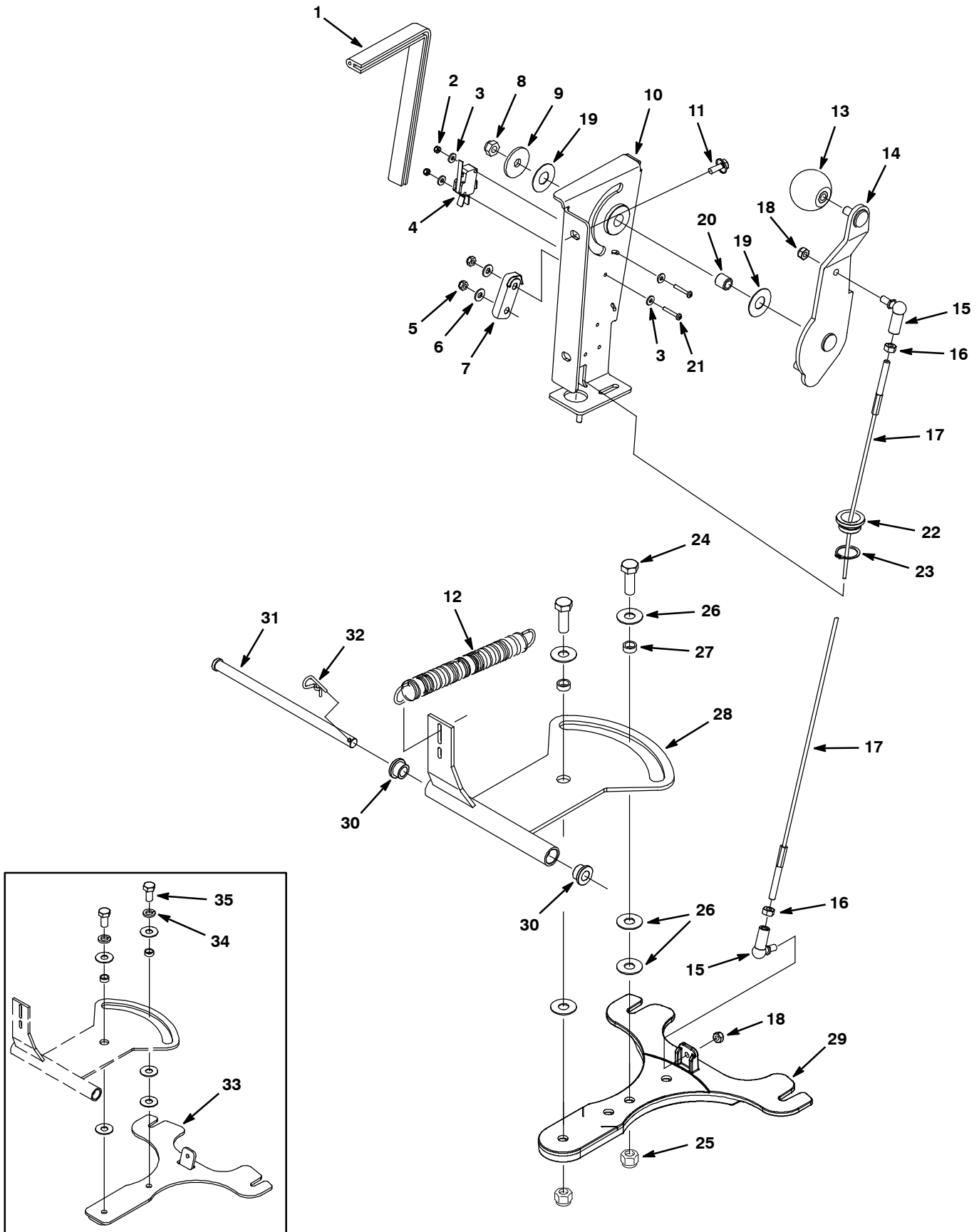
## SOLUTION GROUP, STANDARD MODEL

Ref.	Part No.	Serial Number	Description	Qty.	
1	1013505	(00000000-	) Fitting, Plstc, E90, Bm08/Pm08, Nyl	1	
2	607776	(00000000-	) Clamp, Hose, Wir, .73 - .77, Silver	5	
3	069760725	(00000000-	) Hose Sol 1/2idx3.25" [611259]	1	
4	14884	(00000000-	) Fitting, Brs, Str, Bm08/Pm06 [Taped]	2	
5	605056	(00000000-	) Bracket, Mtg, Fltr	2	
6	1023543	(00000000-	) Bracket Wldt, Mtg, Filter	1	
7	1034731	(00000000-	) Screw, Hex, M6 X 1.00 X 16, Ss, Sems	2	
8	613531	(00000000-	) Tube, 0.50id X 0.75od Vyl 3.75ft[611259]	1	
▽	9	1005302	(00000000-	) Filter, In-Line, Pf06/Pf06, 80 Mesh	1
▲	10	613993	(00000000-	) Housing, Top, F/1005302	1
▲	11	1005304	(00000000-	) Screen, Fltr, 80 Mesh	1
▲	12	613992	(00000000-	) Gasket [Viton, F/1005302]	1
▲	13	613991	(00000000-	) Bowl, Clr, Short, F/1005302	1
	14	01683	(00000000-	) Washer, Flat, #10, Ss	4
	15	09739	(00000000-	) Nut, Hex, Lock, M5 X 0.80, NI, Ss	4
	16	613521	(00000000-	) Tube, 0.50id X 0.75od Vyl 1.00ft[611259]	1
	17	1023537	(00000000-	) Bracket, Label, Soltn	1
	18	1024343	(00000000-	) Label, Soltn, Flow	1
	19	1017091	(00000000-	) Spring, Cmpr, 0.5od .036wir 00.8l	1
	20	1013442	(00000000-	) Knob, Valve, Indicator, Blk	1
▽	21	1062385	(00000000-	) Valve, Water, Solenoid, 24vdc Bm10/Bm10	1
▲	22	614265	(00000000-	) Valve Kit, Water [Viton Diaphram] (Repair Kit)	1
	23	01684	(00000000-	) Washer, Flat, 0.25, Ss	2
	24	07515	(00000000-	) Washer, Lock, Int, 0.25, Ss	2
	25	608322	(00000000-	) Screw, Trs, M6 X 1.00 X 16, Phl, Ss	2

▽ ASSEMBLY

▲ INCLUDED IN ASSEMBLY

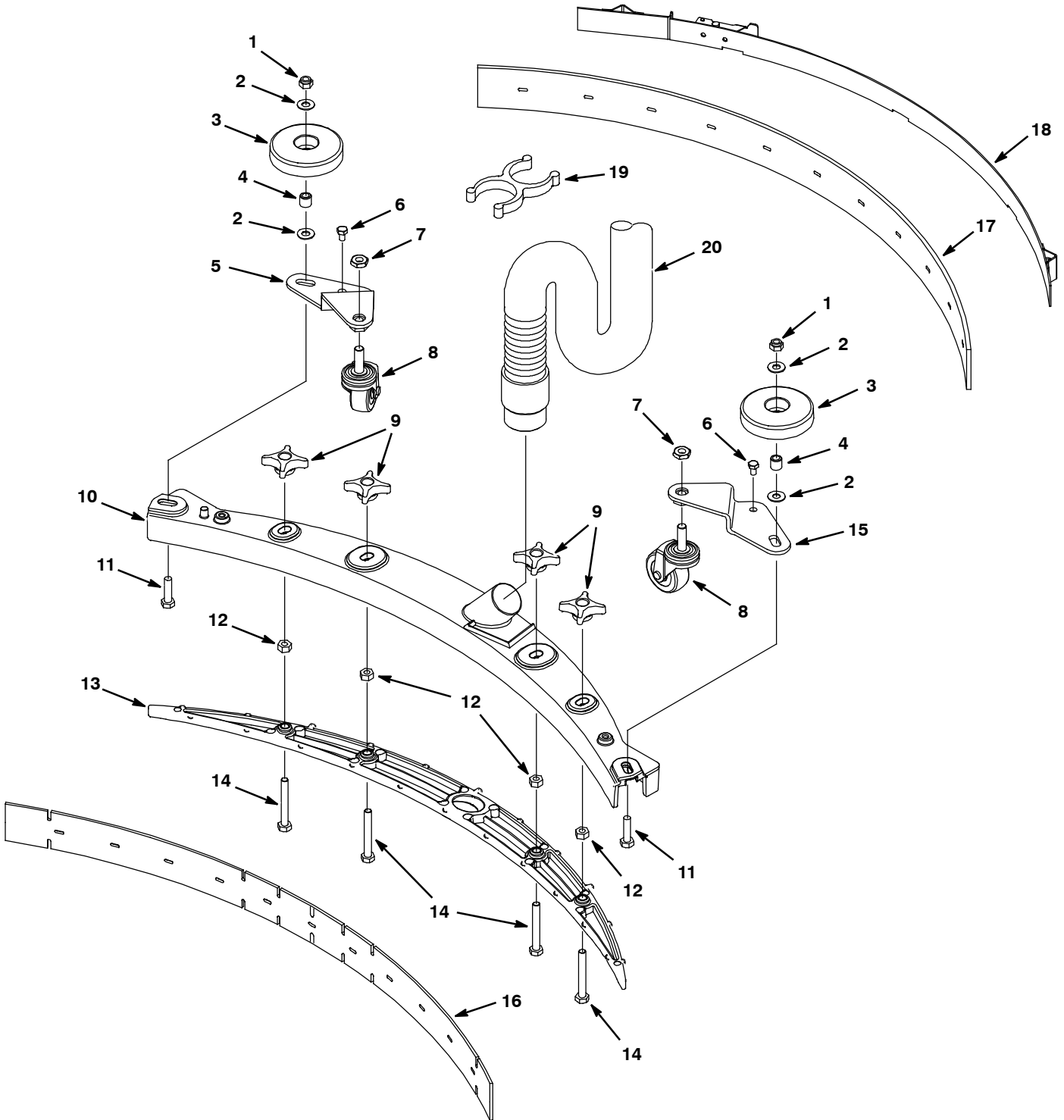
SQUEEGEE LIFT GROUP



## SQUEEGEE LIFT GROUP

Ref.	Part No.	Serial Number	Description	Qty.
1	1008675	(00000000-	) Gasket, Edge, Foam, 24.00l [Fr]	1
2	579211	(00000000-	) Nut, Hex, Lock, M3 X .5, Ss	2
3	41578	(00000000-	) Washer, Flat, #06, Ss	4
4	1012568	(00000000-	) Switch, Snap, 10a, Short	1
5	09739	(00000000-	) Nut, Hex, Lock, M5 X 0.8, NI, Ss	2
6	01683	(00000000-	) Washer, Flat, #10, Ss	2
7	1024060	(00000000-	) Spring, Lever, Sqge, W/ 90° Bend	1
8	08713	(00000000-	) Nut, Hex, Lock, M8 X 1.25, NI, Ss	1
9	1016331	(00000000-	) Washer, Flat, 0.34b 1.25d .11, Ss	1
10	1020922	(00000000-	) Bracket, Lift, Sqge	1
11	1034731	(00000000-	) Screw, Hex, M6 X 1.00 X 16, Ss, Sems	2
12	140423	(00000000-	) Spring, Brush Press	1
13	1017156	(00000000-	) Knob, Ball, M8 Insert, 40mmd, Plstc	1
14	1024354	(00000000-	) Lever, Sqge	1
15	1012747	(00000000-	) Balljoint, M6 X 1.0 Fem, M6 X 1.0 Mal	2
16	07785	(00000000-	) Nut, Hex, Std, M6 X 1.00, A2, Ss	2
17	1024105	(00000000-	) Cable, Lift, Sqge	1
18	08712	(00000000-	) Nut, Hex, Lock, M6 X 1.0, Ss, NI	2
19	1013397	(00000000-	) Washer, Flat, M13 X 30 X 0.8, Nyl	2
20	222460	(00000000-	) Sleeve, P/M, 0.31b 0.50d 0.5l	1
21	06922	(00000000-	) Screw, Pan, M3 X 0.5 X 20, 4.8	2
22	1009363	(00000000-	) Bushing, Cable	1
23	621236	(00000000-	) Ring, Retaining, Ext, 0.81d	1
24	12309	(10387970-	) Screw, Hex, M12 X 1.75 X 30, Ss	2
25	09741	(10387970-	) Nut, Hex, Lock, M12 X 1.75, NI, Ss	2
26	140045	(00000000-	) Washer, Flat, 0.51b 1.25d .06, Ss	5
27	1013662	(00000000-	) Bushing, Sleeve, 12mm 16mm 6.5mml, Pm Yw	2
28	1020974	(00000000-	) Bracket Wldt, Pivot, Sqge	1
29	1038515	(10387970-	) Bracket Kit, Sqge, Conversion [T5]	1
30	606058	(00000000-	) Bearing, Flng .505id .753od	2
31	1026232	(00000000-	) Pin, Clevis, 0.50 D X 9.25l	1
32	140626	(00000000-	) Pin, Hair Cotter, 0.25 D .125 Wir	1
33	1038515	(00000000-10387969	) Bracket Kit, Sqge, Conversion [T5]	1
34	140024	(00000000-10387969	) Washer, Lock, Split, 0.50, Ss	2
35	1033003	(00000000-10387969	) Screw, Hex, M12 X 1.75 X 25, NI, Ss	2

SQUEEGEE GROUP, 20 in / 500 mm



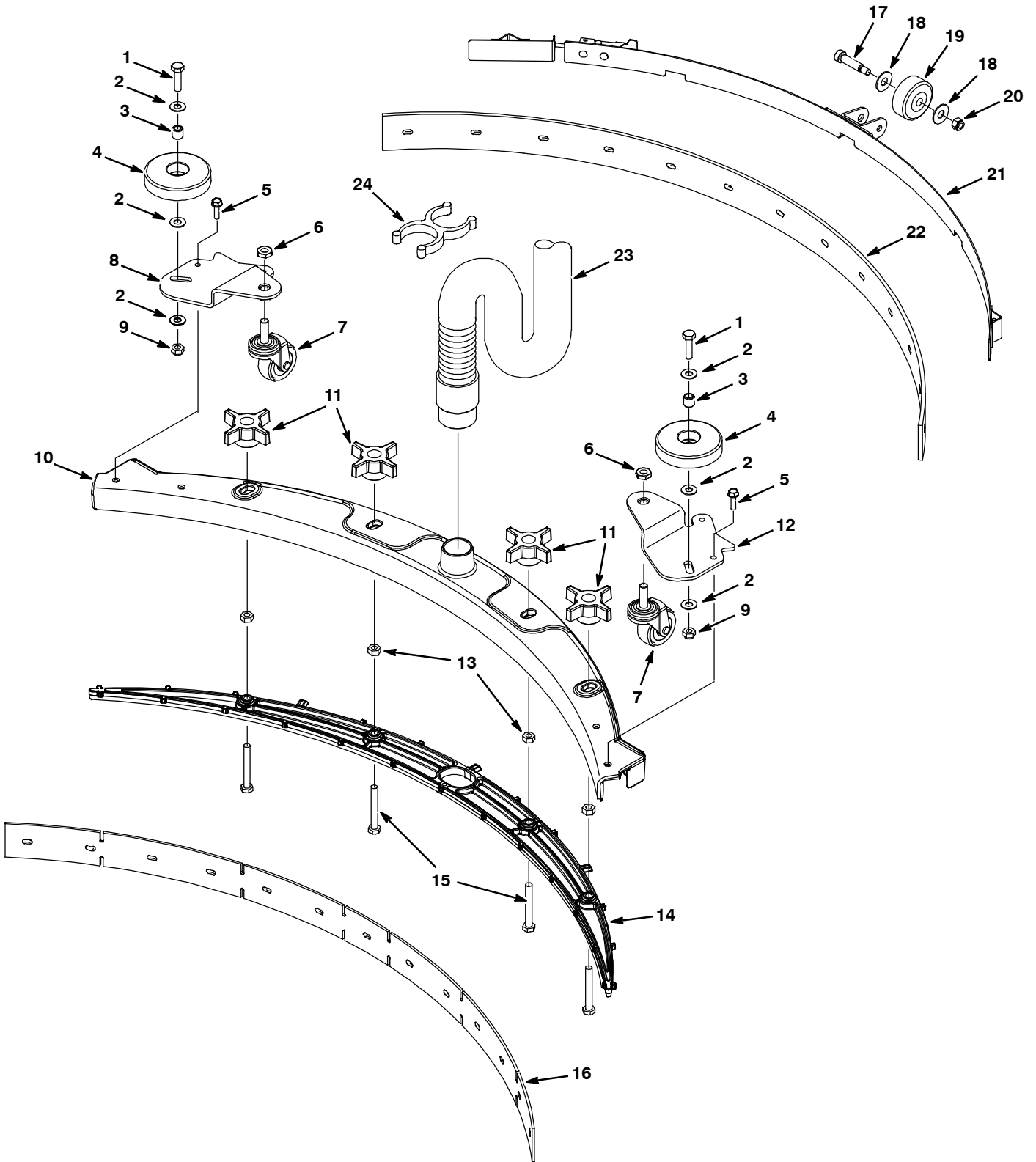
## SQUEEGEE GROUP, 20 in / 500 mm

Ref.	Part No.	Serial Number	Description	Qty.
▽	9001178	(00000000-	) Squeegee Assy Kit, 500mm, Ci	1
▲	1 08713	(00000000-	) Nut, Hex, Lock, M8 X 1.25, NI, Ss	2
▲	2 140027	(00000000-	) Washer, Flat, 0.35b 0.75d .04, Ss	4
▲	3 1010560	(00000000-	) Wheel, Bmpr, 80d X 25w, Non-Marking	2
▲	4 222460	(00000000-	) Sleeve, P/M, 0.31b 0.50d 0.5l	2
▲	5 1011228	(00000000-	) Plate, Mtg, Caster, Sqge, Rh	1
▲	6 74455	(00000000-	) Screw, Hex, M6 X 1.0 X 12, Fmg	2
▲	7 32716	(00000000-	) Nut, Hex, Jam, M10 X 1.5, Ss	2
▲	8 1006343	(00000000-	) Caster, Swivel, 50mmd, M10 X 30 Stem, PI	2
▲	9 1010558	(00000000-	) Knob, Star, 2.00d 4ear 0.7l M8x1.25 Thru	4
▲	10 1011163	(00000000-	) Frame, Sqge, 74cm, Die Cast [50cm]	1
▲	11 09011	(00000000-	) Screw, Hex, M8 X 1.25 X 30, Ss	2
▲	12 07786	(00000000-	) Nut, Hex, Std, M8 X 1.25, Ss	4
▲	13 1019919	(00000000-	) Retainer, Sqge, 76cm [50cm] Nyl, Blk	1
▲	14 1014163	(00000000-	) Screw, Hex, M8 X 1.25 X 60, FI, Ss	4
▲	15 1011956	(00000000-	) Plate, Mtg, Caster, Sqge, Lh	1
▲	16 1011232	(00000000-	) Blade, Sqge, Front, 500mml (Linatex Red Standard)	1
	16 1014091	(00000000-	) Blade, Sqge, Front, 500mm, Gum (Gum Rubber Tan Optional)	1
	16 1014092	(00000000-	) Blade, Sqge, Front, 500mml, Oil-Rstn (Polyurethane Natural Optional)	1
▲	17 1011456	(00000000-	) Blade, Sqge, Rear, 500mm Linatex (Linatex Red Standard)	1
	17 1014093	(00000000-	) Blade, Sqge, Rear, 500mm Gum (Gum Rubber Tan Optional)	1
	17 1014094	(00000000-	) Blade, Sqge, Rear, 500mm Oil-Rstn (Polyurethane Natural Optional)	1
▲	18 1013933	(00000000-	) Strap Assy, Sqge, 500mm	1
	19 1014079	(00000000-	) Clip, Grip, Hose, 1.50id, Dbl, Blk Pyp	1
	20 1014026	(00000000-	) Hose, Vacuum, 1.5d X 57l, 2-Short Cuffs	1

▽ ASSEMBLY

▲ INCLUDED IN ASSEMBLY

SQUEEGEE GROUP, 24 in / 600 mm





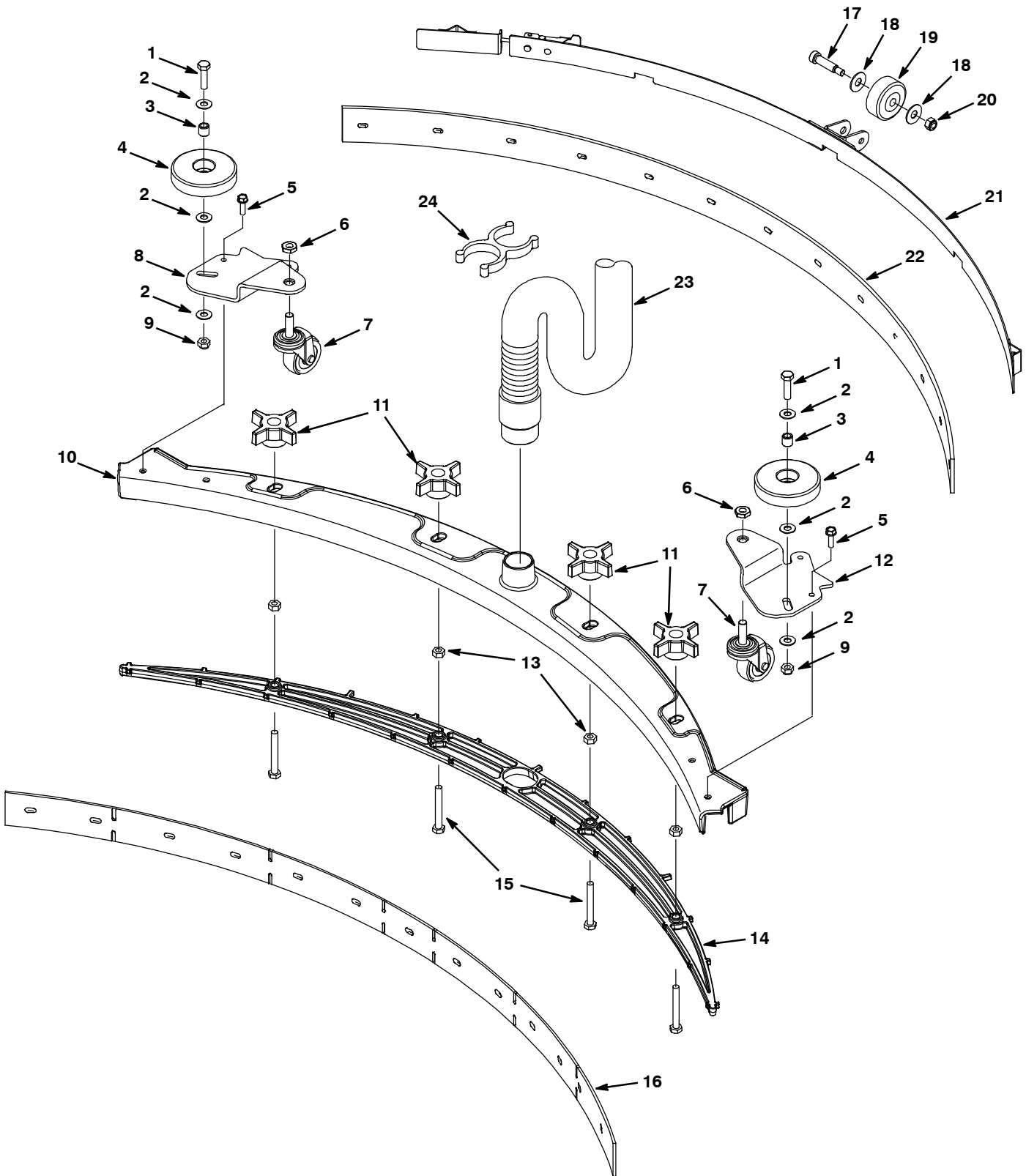
## SQUEEGEE GROUP, 24 in / 600 mm

Ref.	Part No.	Serial Number	Description	Qty.
▽	9002679	(00000000-	) Kit, Squeegee, 600mm Ci	1
▲	1 09011	(00000000-	) Screw, Hex, M8 X 1.25 X 30, Ss	2
▲	2 140027	(00000000-	) Washer, Flat, 0.35b 0.75d .04, Ss	6
▲	3 222460	(00000000-	) Sleeve, P/M, 0.496d 0.318b 0.50l 430ss	2
▲	4 1010560	(00000000-	) Wheel, Bmpr, 80d X 25w, Non-Marking	2
▲	5 12459	(00000000-	) Screw, Hex, M6 X 1.0 X 20, Fmg	4
▲	6 32716	(00000000-	) Nut, Hex, Jam, M10 X 1.5, Ss	2
▲	7 1006343	(00000000-	) Caster, Swivel, 50mm D, M10 X 30 Stem,Zn	2
▲	8 1023273	(00000000-	) Plate, Caster, Mtg, Sqge, Rh	1
▲	9 08713	(00000000-	) Nut, Hex, Lock, M8 X 1.25, NI, Ss	2
▲	10 1021798	(00000000-	) Frame, Sqge, 89cm [60cm]	1
▲	11 1015911	(00000000-	) Knob, Star, 2.75d 4ear 1.1l M8x1.25 Thru	4
▲	12 1023291	(00000000-	) Plate, Caster, Mtg, Sqge, Lh	1
▲	13 07786	(00000000-	) Nut, Hex, Std, M8 X 1.25, Ss	4
▲	14 1026354	(00000000-	) Retainer , Blade, Sqge, 600mm [Plstc]	1
▲	15 1014163	(00000000-	) Screw, Hex, M8 X 1.25 X 60, FI, Ss	4
▲	16 1021804	(00000000-	) Blade, Sqge, Front, 88cml [Lnx, 60cm] (Linatex Red Standard)	1
	16 1025333	(00000000-	) Blade, Sqge, Front, 88cml, Gum [60cm] (Gum Rubber Tan Optional)	1
	16 1025334	(00000000-	) Blade, Sqge, Front, 88cml, Ure [60cm] (Polyurethane Natural Optional)	1
▲	17 600187	(00000000-	) Bolt, Shld, .38d X 1.25, .31-18	1
▲	18 140028	(00000000-	) Washer, Flat, 0.42b 1.00d .05, Ss	2
▲	19 630477	(00000000-	) Wheel, Pyu, 2.0d 0.38w, Gray	1
▲	20 32983	(00000000-	) Nut, Hex, Lock, .31-18, NI	1
▲	21 1022456	(00000000-	) Retainer Assy, Blade, Sqge, 600mm	1
▲	22 1021333	(00000000-	) Blade, Sqge, Rear, 88cm,Linatex[60cm] (Linatex Red Standard)	1
	22 1025335	(00000000-	) Blade, Sqge, Rear, 88cml, Gum [60cm] (Gum Rubber Tan Optional)	1
	22 1025336	(00000000-	) Blade, Sqge, Rear, 88cm, Ure [60cm] (Polyurethane Natural Optional)	1
	23 1014026	(00000000-	) Hose, Vacuum, 1.5d X 57l, 2-Short Cuffs	1
	24 1014079	(00000000-	) Clip, Hose, Gripper, 1.50id, Dbl, Blk Pp	1

▽ ASSEMBLY

▲ INCLUDED IN ASSEMBLY

SQUEEGEE GROUP, 26 in / 650 mm & 28 in / 700 mm



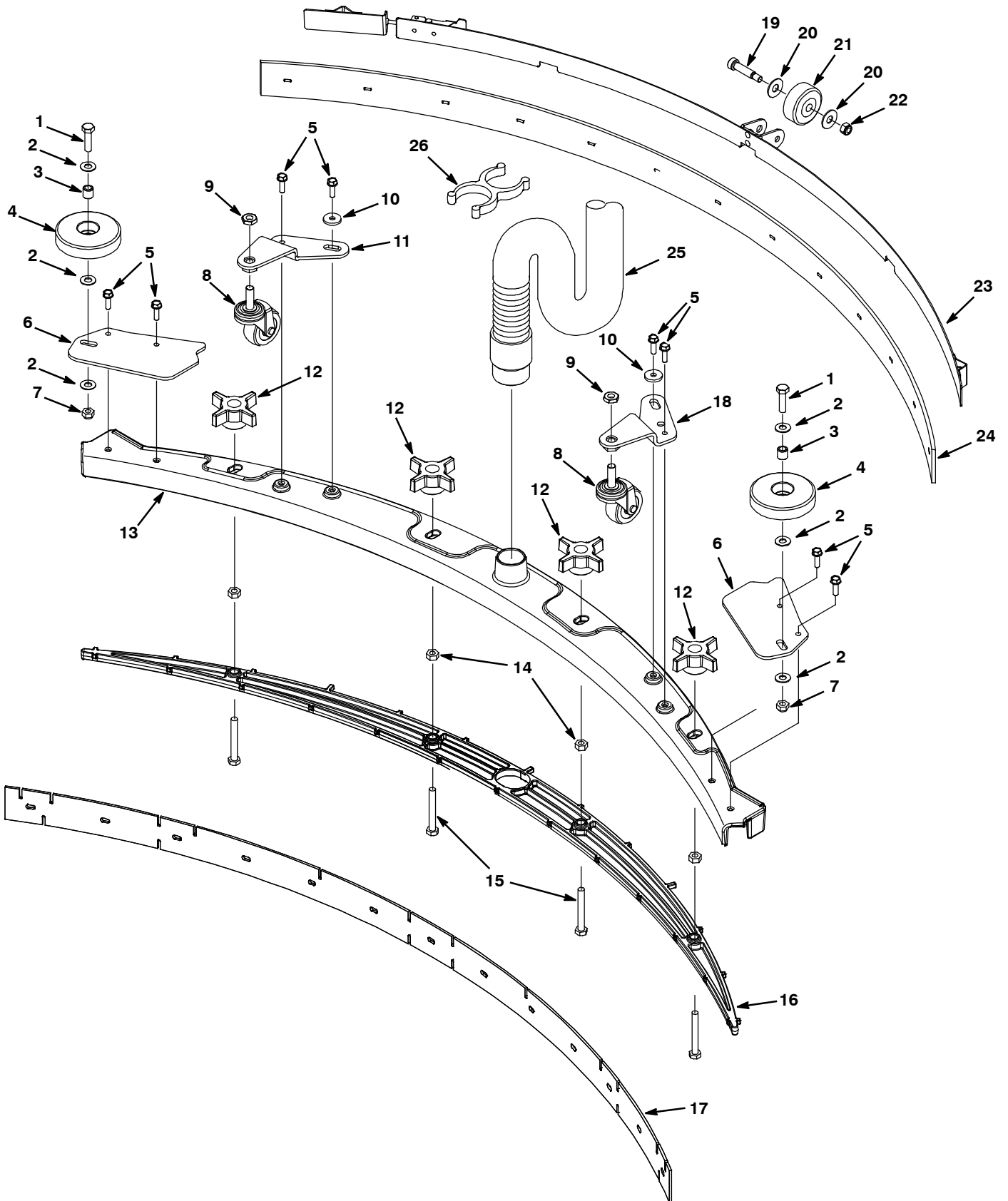
SQUEEGEE GROUP, 26 in / 650 mm & 28 in / 700 mm

Ref.	Part No.	Serial Number	Description	Qty.
▽	9002680	(00000000-	) Kit, Squeegee, 700mm Ci	1
▲	1 09011	(00000000-	) Screw, Hex, M8 X 1.25 X 30, Ss	2
▲	2 140027	(00000000-	) Washer, Flat, 0.35b 0.75d .04, Ss	6
▲	3 222460	(00000000-	) Sleeve, P/M, 0.496d 0.318b 0.50l 430ss	2
▲	4 1010560	(00000000-	) Wheel, Bmpr, 80d X 25w, Non-Marking	2
▲	5 12459	(00000000-	) Screw, Hex, M6 X 1.0 X 20, Fmg	4
▲	6 32716	(00000000-	) Nut, Hex, Jam, M10 X 1.5, Ss	2
▲	7 1006343	(00000000-	) Caster, Swivel, 50mm D, M10 X 30 Stem,Zn	2
▲	8 1023273	(00000000-	) Plate, Caster, Mtg, Sqge, Rh	1
▲	9 08713	(00000000-	) Nut, Hex, Lock, M8 X 1.25, NI, Ss	2
▲	10 1023326	(00000000-	) Frame, Sqge, 104cm [70cm]	1
▲	11 1015911	(00000000-	) Knob, Star, 2.75d 4ear 1.1l M8x1.25 Thru	4
▲	12 1023291	(00000000-	) Plate, Caster, Mtg, Sqge, Lh	1
▲	13 07786	(00000000-	) Nut, Hex, Std, M8 X 1.25, Ss	4
▲	14 1026416	(00000000-	) Retainer, Blade, Sqge, 700mm [Plstc]	1
▲	15 1014163	(00000000-	) Screw, Hex, M8 X 1.25 X 60, FI, Ss	4
▲	16 1023327	(00000000-	) Blade, Sqge, Front, 98cml [Lnx, 70cm] (Linatex Red Standard)	1
	16 1025337	(00000000-	) Blade, Sqge, Front, 98cml, Gum [70cm] (Gum Rubber Tan Optional)	1
	16 1025339	(00000000-	) Blade, Sqge, Front, 98cml, Ure [70cm] (Polyurethane Natural Optional)	1
▲	17 600187	(00000000-	) Bolt, Shld, .38d X 1.25, .31-18	1
▲	18 140028	(00000000-	) Washer, Flat, 0.42b 1.00d .05, Ss	2
▲	19 630477	(00000000-	) Wheel, Pyu, 2.0d 0.38w, Gray	1
▲	20 32983	(00000000-	) Nut, Hex, Lock, .31-18, NI	1
▲	21 1023335	(00000000-	) Bracket Wldt, Sqge, Band Clamp, 98cm	1
▲	22 1023329	(00000000-	) Blade, Sqge, Rear, 98cm,Linatex[70cm] (Linatex Red Standard)	1
	22 1025340	(00000000-	) Blade, Sqge, Rear, 98cml, Gum [70cm] (Gum Rubber Tan Optional)	1
	22 1025341	(00000000-	) Blade, Sqge, Rear, 98cm, Ure [70cm] (Polyurethane Natural Optional)	1
	23 1014026	(00000000-	) Hose, Vacuum, 1.5d X 57l, 2-Short Cuffs	1
	24 1014079	(00000000-	) Clip, Hose, Gripper, 1.50id, Dbl, Blk Pp	1

▽ ASSEMBLY

▲ INCLUDED IN ASSEMBLY

SQUEEGEE GROUP, 32 in / 800 mm



## SQUEEGEE GROUP, 32 in / 800 mm

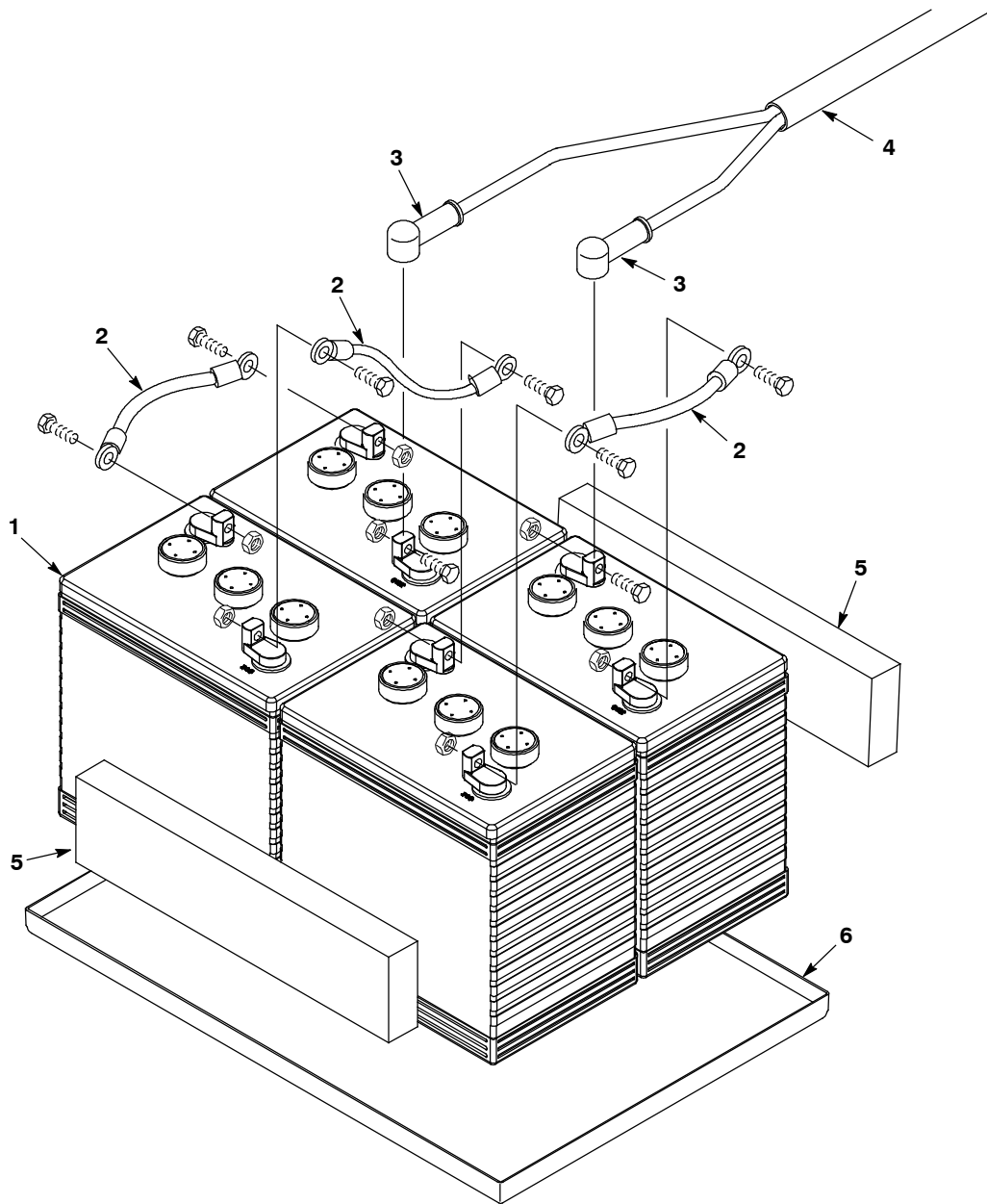
Ref.	Part No.	Serial Number	Description	Qty.
▽	9002681	(00000000-	) Kit, Squeegee, 800mm Ci	1
▲	1 09011	(00000000-	) Screw, Hex, M8 X 1.25 X 30, Ss	2
▲	2 140027	(00000000-	) Washer, Flat, 0.35b 0.75d .04, Ss	6
▲	3 222460	(00000000-	) Sleeve, P/M, 0.496d 0.318b 0.50l 430ss	2
▲	4 1010560	(00000000-	) Wheel, Bmpr, 80d X 25w, Non-Marking	2
▲	5 12459	(00000000-	) Screw, Hex, M6 X 1.0 X 20, Fmg	8
▲	6 1023426	(00000000-	) Bracket, Mtg, Sqge Bumper	2
▲	7 08713	(00000000-	) Nut, Hex, Lock, M8 X 1.25, NI, Ss	2
▲	8 1006343	(00000000-	) Caster, Swivel, 50mm D, M10 X 30 Stem,Zn	2
▲	9 32716	(00000000-	) Nut, Hex, Jam, M10 X 1.5, Ss	2
▲	10 140053	(00000000-	) Washer, Flat, 0.28b 0.88d .12, Ss	2
▲	11 1011228	(00000000-	) Plate, Mtg, Caster, Sqge, Rh	1
▲	12 1015911	(00000000-	) Knob, Star, 2.75d 4ear 1.1l M8x1.25 Thru	4
▲	13 1023396	(00000000-	) Frame, Sqge, 117cm [80cm]	1
▲	14 07786	(00000000-	) Nut, Hex, Std, M8 X 1.25, Ss	4
▲	15 1014163	(00000000-	) Screw, Hex, M8 X 1.25 X 60, Fl, Ss	4
▲	16 1024970	(00000000-	) Retainer, Blade, Sqge, 800mm [Plstc]	1
▲	17 1023398	(00000000-	) Blade, Sqge, Front, 105cm [Linx 80cm] (Linatex Red Standard)	1
	17 1025342	(00000000-	) Blade, Sqge, Front, 105cml, Gum[80cm] (Gum Rubber Tan Optional)	1
	17 1025343	(00000000-	) Blade, Sqge, Front, 105cm, Ure [80cm] (Polyurethane Natural Optional)	1
▲	18 1011956	(00000000-	) Plate, Mtg, Caster, Sqge, Lh	1
▲	19 600187	(00000000-	) Bolt, Shld, .38d X 1.25, .31-18	1
▲	20 140028	(00000000-	) Washer, Flat, 0.42b 1.00d .05, Ss	2
▲	21 630477	(00000000-	) Wheel, Pyu, 2.0d 0.38w, Gray	1
▲	22 32983	(00000000-	) Nut, Hex, Lock, .31-18, NI	1
▲	23 1023400	(00000000-	) Retainer Assy, Blade, Sqge, 800mm	1
▲	24 1023399	(00000000-	) Blade, Sqge, Rear, 105cml[Linx, 80cm] (Linatex Red Standard)	1
	24 1025344	(00000000-	) Blade, Sqge, Rear, 105cml, Gum [80cm] (Gum Rubber Tan Optional)	1
	24 1025346	(00000000-	) Blade, Sqge, Rear, 105cml, Ure [80cm] (Polyurethane Natural Optional)	1
	25 1014026	(00000000-	) Hose, Vacuum, 1.5d X 57l, 2-Short Cuffs	1
	26 1014079	(00000000-	) Clip, Hose, Gripper, 1.50id, Dbl, Blk Pp	1

▽ ASSEMBLY

▲ INCLUDED IN ASSEMBLY

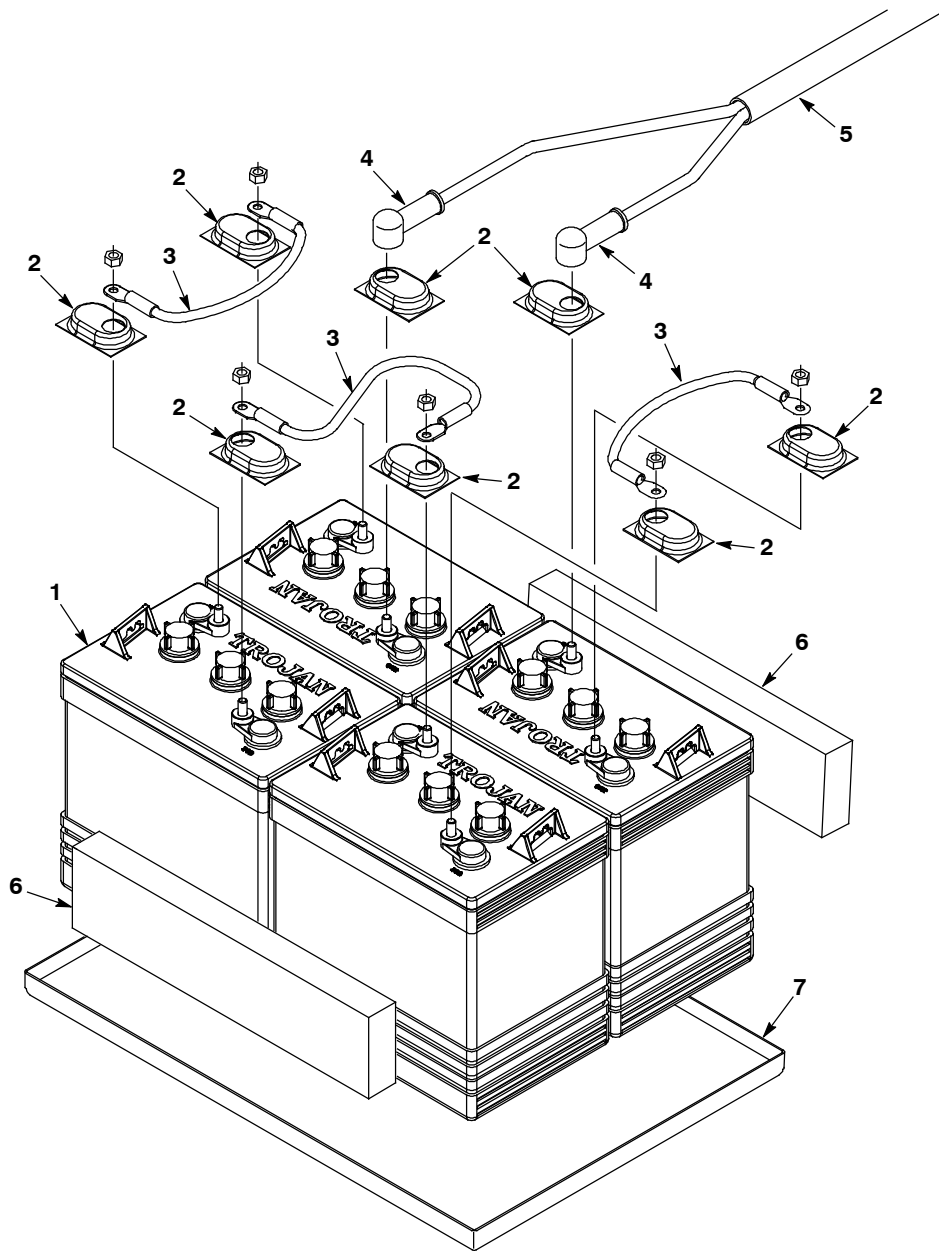
# STANDARD PARTS

## BATTERY GROUP, MAINTENANCE FREE 200 Ah



Ref.	Part No.	Serial Number	Description	Qty.
1	1021446	(00000000- )	Battery, 6v, 200ah Agm	4
2	130364	(00000000- )	Cable, 06ga 15.0l Blk .31ring /.38ring	3
3	611221	(00000000- )	Boot, Terminal, Battery, 25.4mm, Blk	8
4	1027088	(00000000- )	Harness, Battery	1
5	630375	(00000000- )	Spacer, Battery, 1.25 X 3.25 X 13.7 Foam	2
6	613971	(00000000- )	Tray, Battery, Trimmed	1

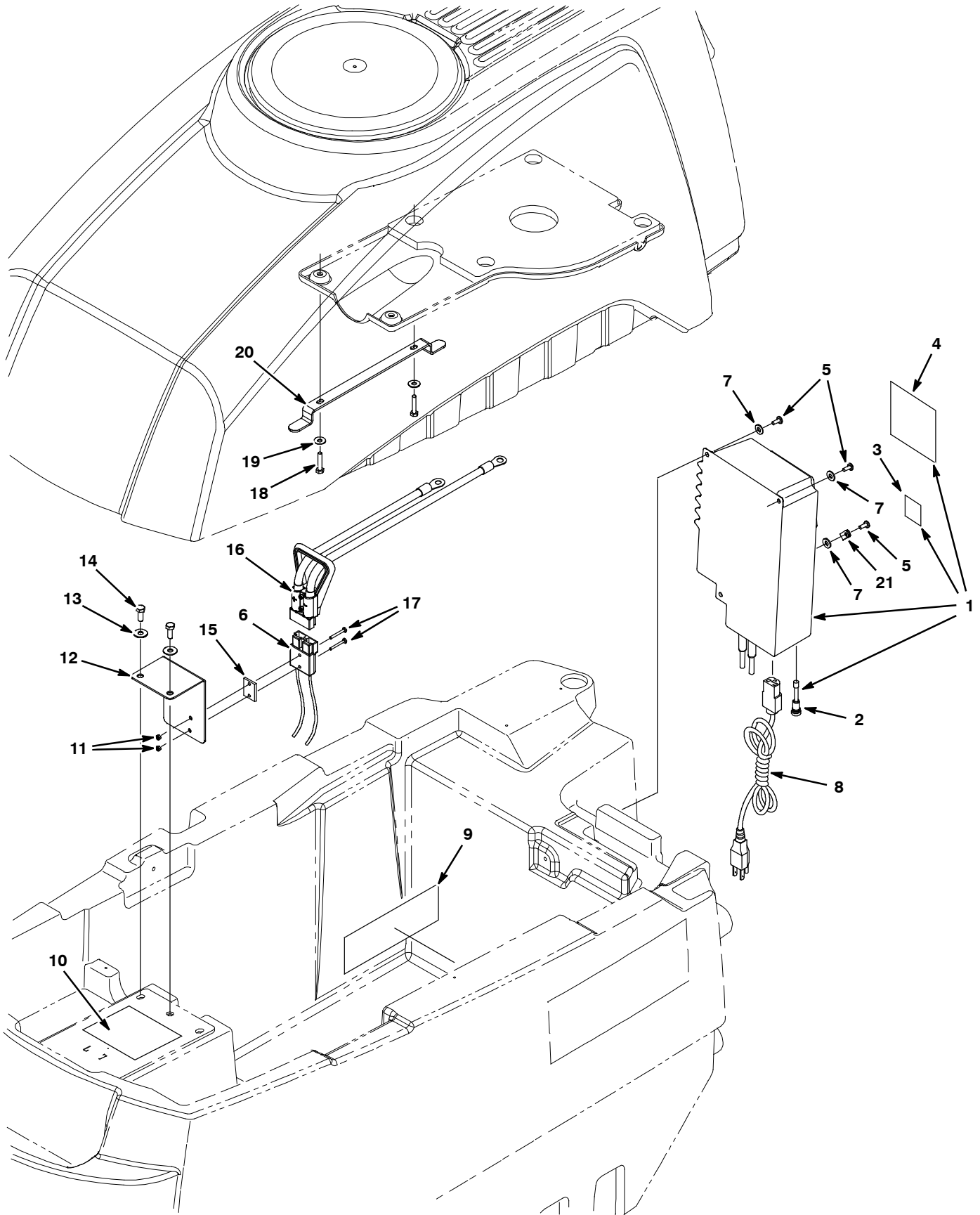
BATTERY GROUP, LEAD-ACID 235 Ah



Ref.	Part No.	Serial Number	Description	Qty.
1	222280	(00000000-	) Battery, 06vdc, 235ah, Wet	4
2	45962	(00000000-	) Cap, Plstc, .04 1.38 X 2.30 0.5l (Tall Clear - Standard)	8
2	1041030	(00000000-	) Cap, Battery (Short Black - Optional)	8
3	130364	(00000000-	) Cable, 06ga 15.0l Blk .31ring /.38ring	3
4	611221	(00000000-	) Boot, Terminal, Battery, 25.4mm, Blk	8
5	1027088	(00000000-	) Harness, Battery	1
6	630375	(00000000-	) Spacer, Battery, 1.25 X 3.25 X 13.7 Foam	2
7	613971	(00000000-	) Tray, Battery, Trimmed	1

# STANDARD PARTS

## ON-BOARD CHARGER GROUP - 120V (S/N 10409250- )





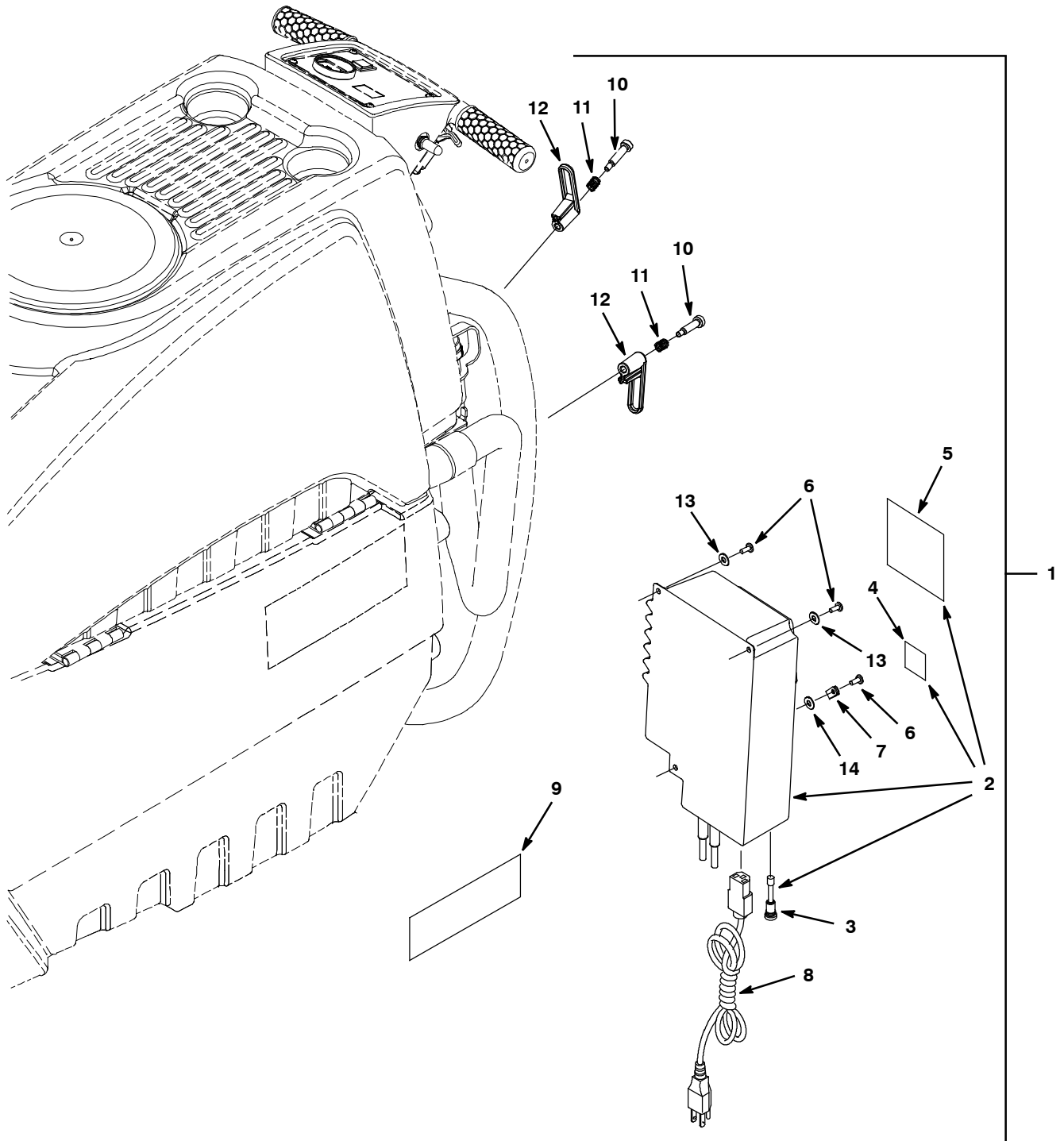
## ON-BOARD CHARGER GROUP - 120V (S/N 10409250- )

Ref.	Part No.	Serial Number	Description	Qty.
▽	9005738	(10409250-	) Charger Kit, 24vdc, 120vac, Ci [Ss5]	1
▲▽	1 1050399	(10409250-	) Charger, 120vac [Onboard]	1
▲▲	2 1030692	(00000000-	) Vr, Fuse, 15a, Replmt	1
▲▲	3 578768	(00000000-	) Label, Hzrd, [Hazardous Voltage] Txtls	1
▲▲	4 1025158	(00000000-	) Label, Charger, Afmkt	1
▲▲	5 578144000	(00000000-	) Screw, Pan, M5 X 0.80 X 16, Pozi, Ss	3
▲▲	6 605387	(00000000-	) Connector, Anderson, 050a, Red [W/O Con]	2
▲	7 01684	(00000000-	) Washer, Flat, 0.27b 0.69d .05, Ss	1
▲	8 1025642	(00000000-	) Cord, Power, 16/3, 4.5 Meters, Blk [Us]	1
▲	9 1028175	(00000000-	) Label, Instr [Charger Setting]	1
▲	10 1051362	(10409250-	) Label, Instr, Charge	1
▲	11 579211	(10409250-	) Nut, Hex, Lock, M3 X 0.50, NI, Ss	2
▲	12 1049592	(10409250-	) Bracket, Mtg	1
▲	13 01684	(10409250-	) Washer, Flat, 0.27b 0.69d .05, Ss	2
▲	14 11329	(10409250-	) Screw, Hex, M6 X 1.00 X 16, NI, Ss	2
▲	15 603331	(10409250-	) Spacer, Plug, Chrgr	1
▲▽	16 1049591	(10409250-	) Harness, Cable, Battery, W/ Handle	1
▲▲	1049583	(10409250-	) Handle, Connector [Anderson Smh] (Includes Mtg Hardware)	1
▲▲	605387	(10409250-	) Connector, Anderson, 050a, Red [W/O Con]	1
▲	17 33933	(10409250-	) Screw, Pan, Phl, M3 X 0.50 X 25, Ss	2
▲	18 06945	(10409250-	) Screw, Hex, M6 X 1.00 X 30, 8.8	2
▲	19 01684	(10409250-	) Washer, Flat, 0.27b 0.69d .05, Ss	2
▲	20 1049610	(10409250-	) Hook, Cord	1
▲	21 26395-2	(00000000-	) Clamp, Cable, Stl, 0.38d X 0.38w, 1h	1

▽ ASSEMBLY

▲ INCLUDED IN ASSEMBLY

ON-BOARD CHARGER GROUP - 120V (S/N 0000000-10409249)

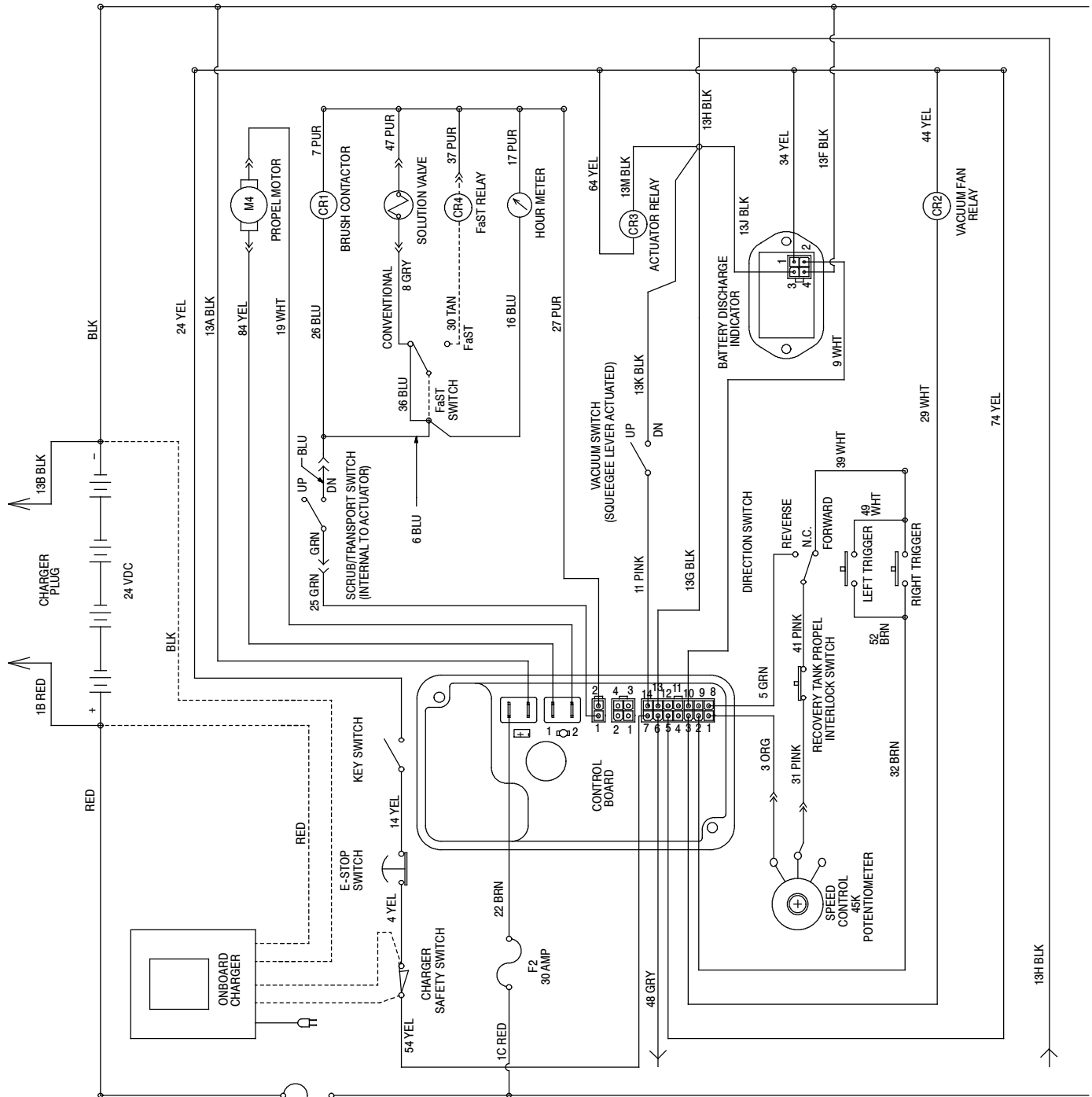


## ON-BOARD CHARGER GROUP - 120V (S/N 00000000-10409249)

Ref.	Part No.	Serial Number	Description	Qty.
1	N/A	(00000000-10409249 )	Charger Kit, Battery, Ci [120v Ss T5e] (Replaced By Kit 9005738)	1
2	N/A	(00000000-10409249 )	Charger, 120vac [Onboard] (Replaced By Kit 9005738)	1
3	1030692	(00000000-	) Vr, Fuse, 15a, Replmt	1
4	578768	(00000000-	) Label, Hzrd, [Hazardous Voltage] Txtls	1
5	1025158	(00000000-	) Label, Charger, Afmkt	1
6	578144000	(00000000-	) Screw, Pan, M5 X 0.80 X 16, Pozi, Ss	3
7	26395-2	(00000000-	) Clamp, Cable, Stl, 0.38d X 0.38w, 1h	1
8	1025642	(00000000-	) Cord, Power, 16/3 X 4.5 Meters, Blk [Us]	1
9	1028175	(00000000-	) Label, Instr [Charger Setting]	1
10	1024965	(00000000-	) Bolt, Shld, 8mmd X 30, M6x1.0	2
11	611311	(00000000-	) Spring, Cmpr, 10.9d, 1.1w, 12.7l Mw Zn	2
12	610906	(00000000-	) Hook, Cord Viper	2
13	01683	(00000000-	) Washer, Flat, 10, Ss	2
14	01684	(00000000-	) Washer, Flat, 0.27b 0.69d .05, Ss	1

ELECTRICAL DIAGRAM, STANDARD & FaST MODEL

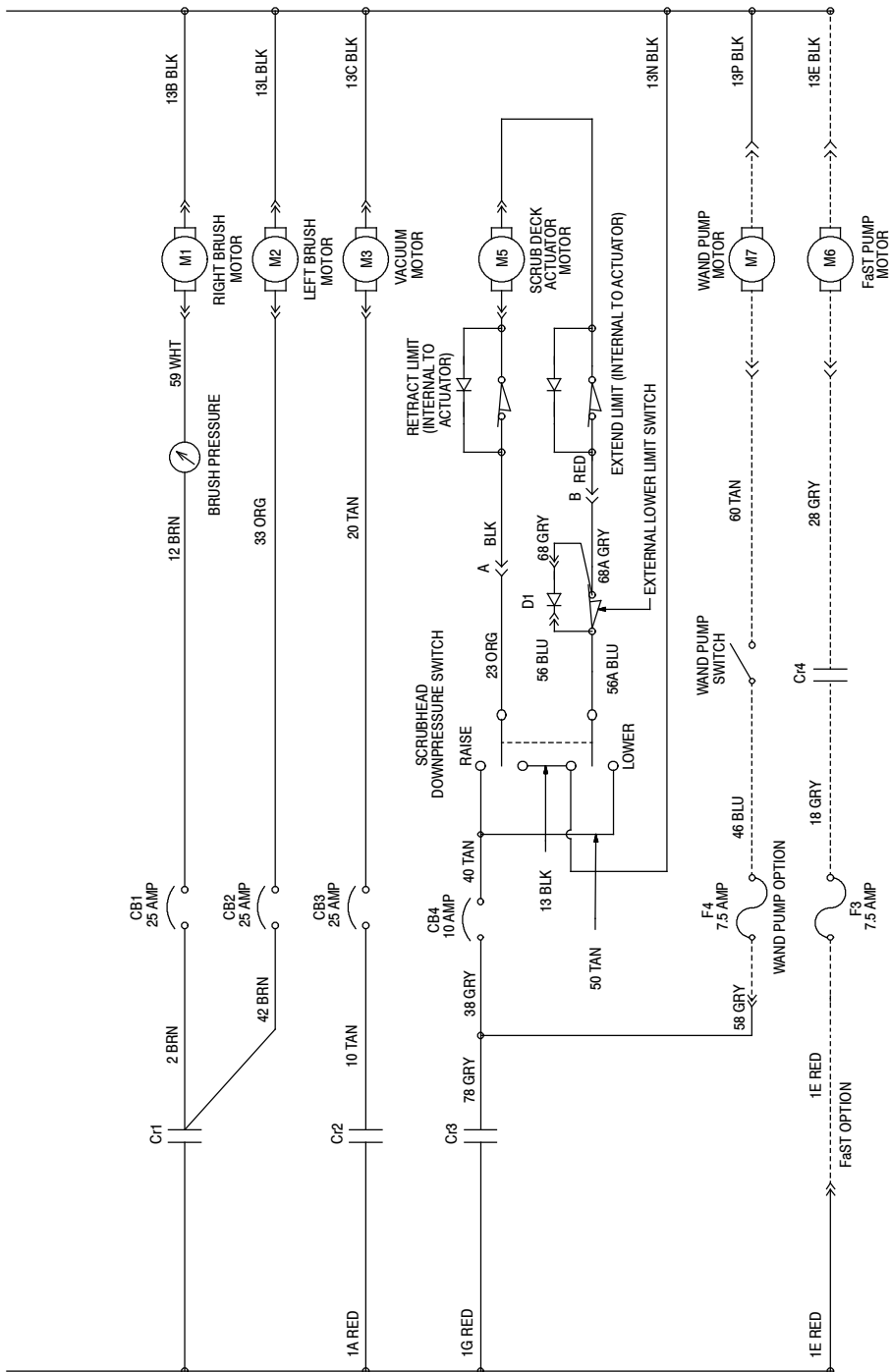
1020931



NOTES:  
 CHARGER PLUG HARNESS &  
 CHARGER SAFETY SWITCH  
 REMOVED WITH ON-BOARD  
 CHARGER OPTION.

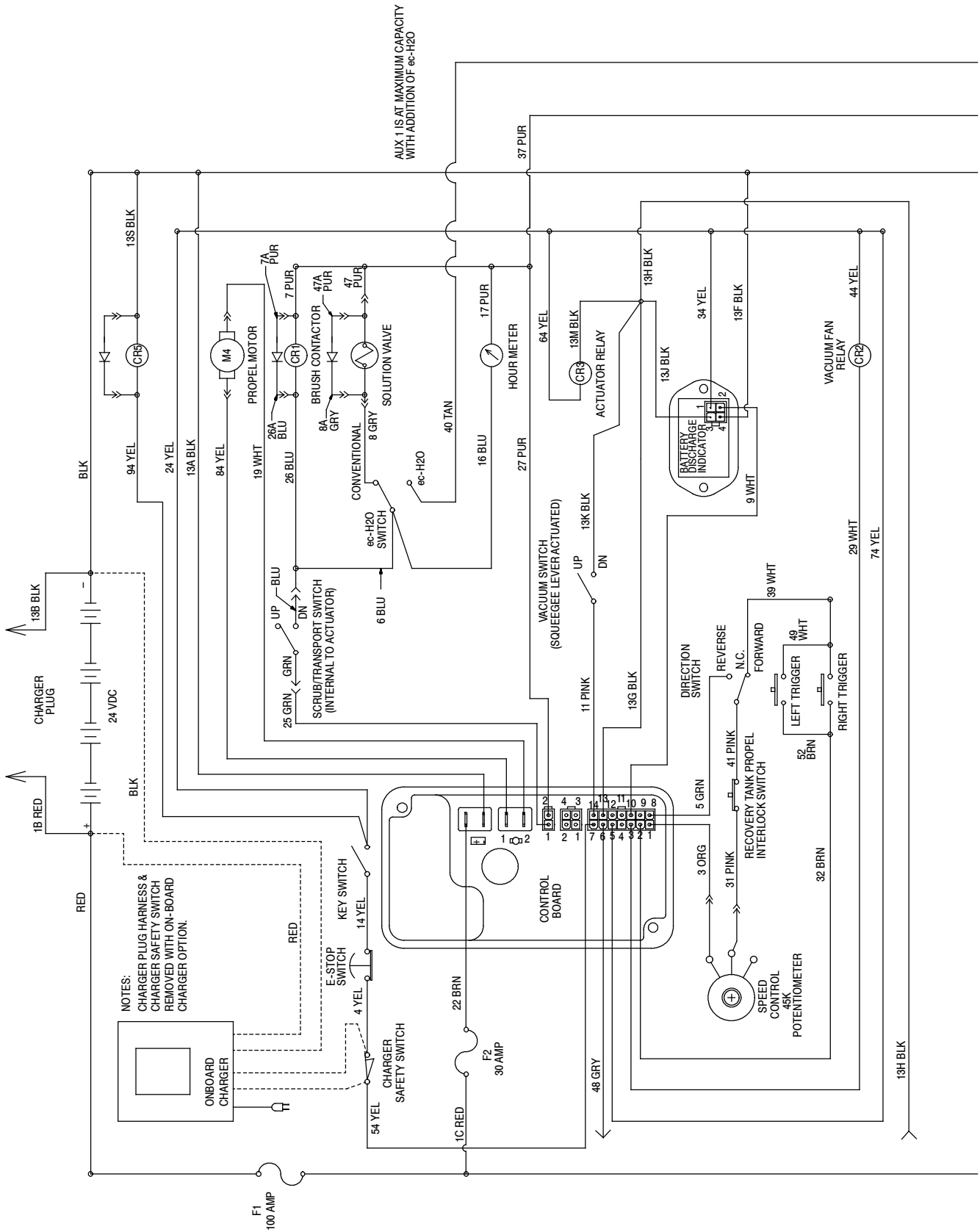
ELECTRICAL DIAGRAM, STANDARD & FaST MODEL

1020931



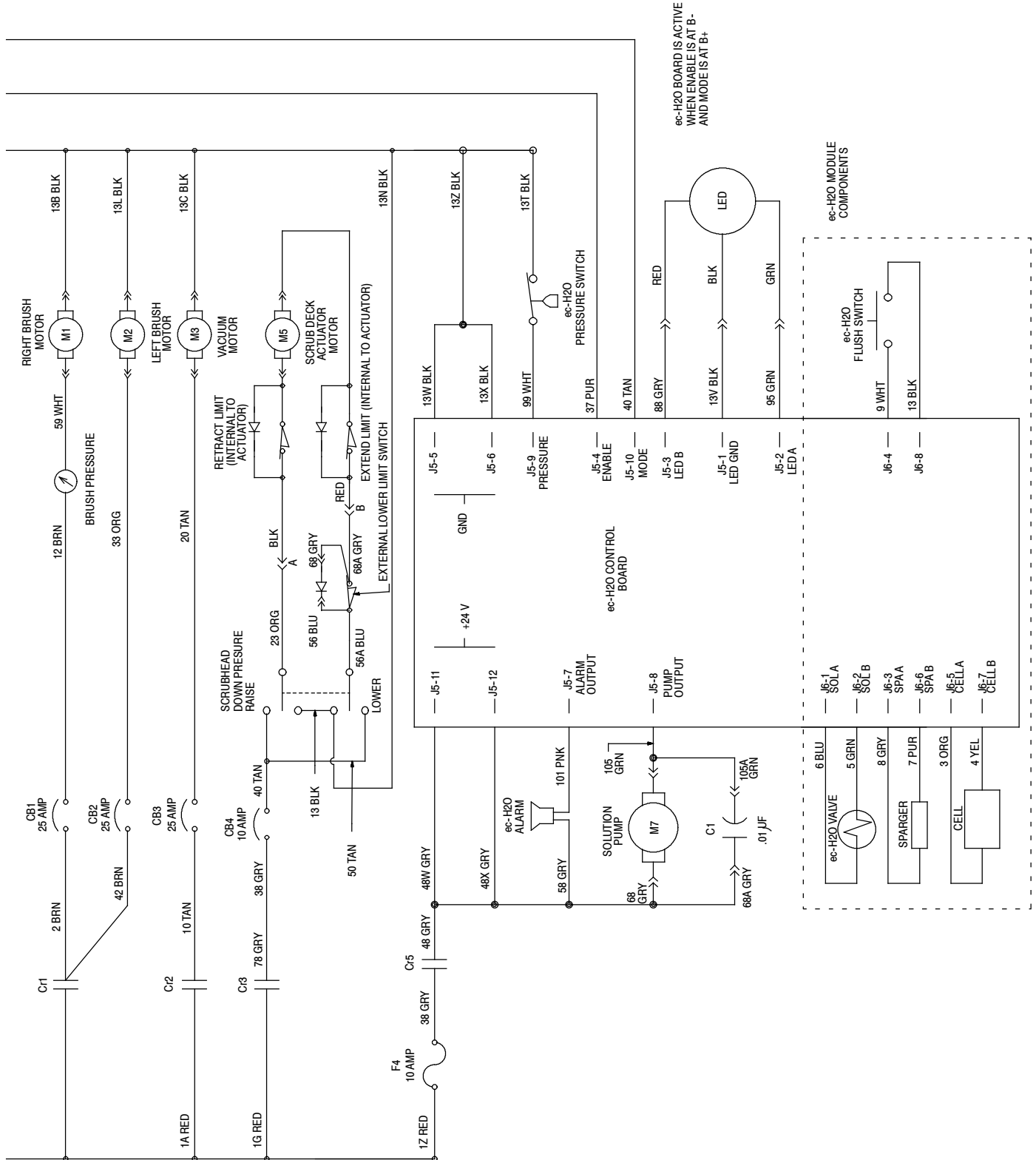
ELECTRICAL DIAGRAM, *ec-H2O* MODEL

1043227



ELECTRICAL DIAGRAM, *ec-H2O* MODEL

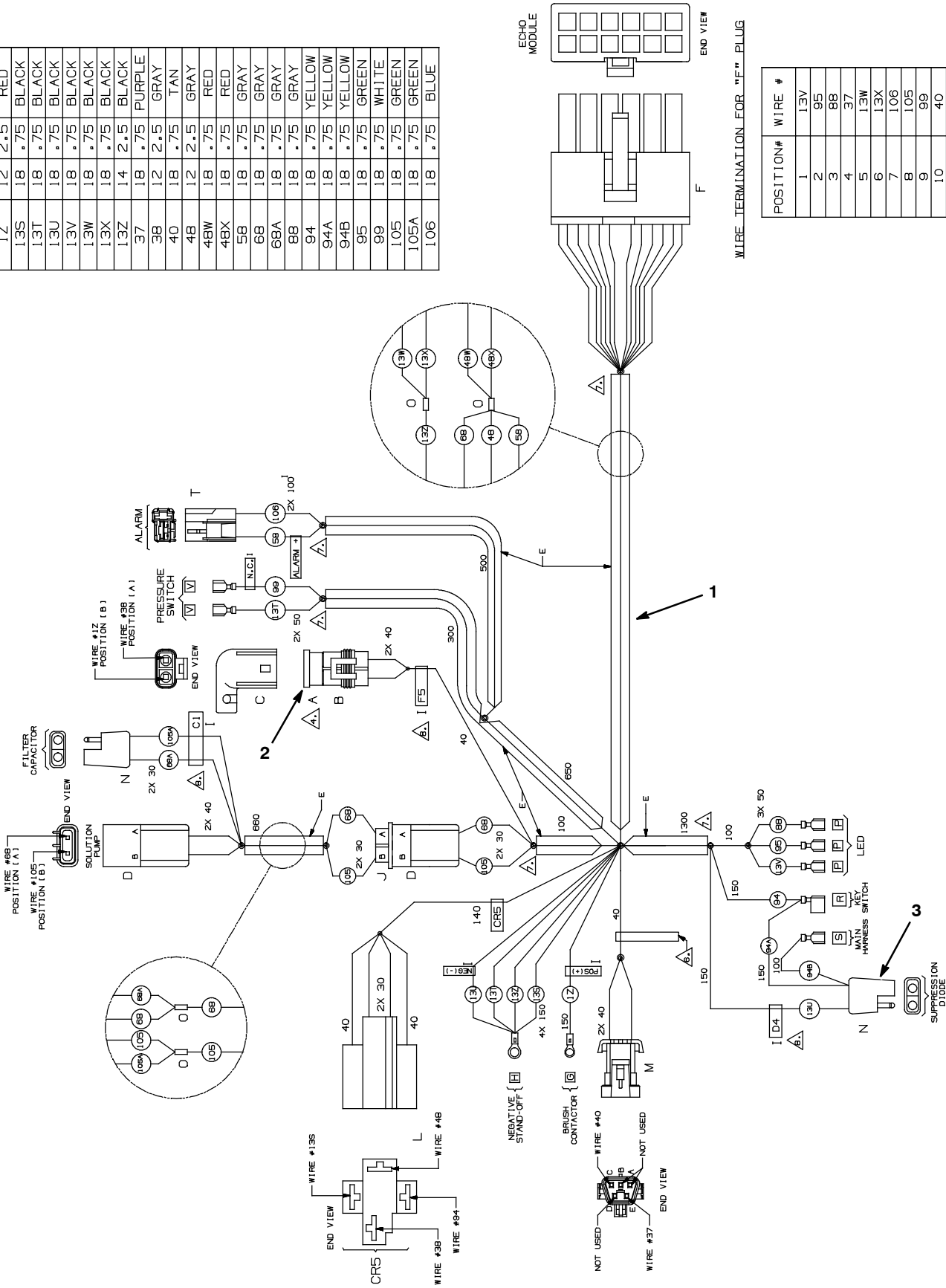
1043227



# STANDARD PARTS

## WIRE HARNESS GROUP, *ec-H2O* OPTION (S/N 10455033- )

WIRE No	AWG	mm <sup>2</sup>	COLOR
1Z	12	2.5	RED
13S	18	.75	BLACK
13T	18	.75	BLACK
13U	18	.75	BLACK
13V	18	.75	BLACK
13W	18	.75	BLACK
13X	18	.75	BLACK
13Z	14	2.5	BLACK
37	18	.75	PURPLE
38	12	2.5	GRAY
40	18	.75	TAN
48	12	2.5	GRAY
48W	18	.75	RED
48X	18	.75	RED
58	18	.75	GRAY
68	18	.75	GRAY
68A	18	.75	GRAY
88	18	.75	GRAY
94	18	.75	YELLOW
94A	18	.75	YELLOW
94B	18	.75	YELLOW
95	18	.75	GREEN
99	18	.75	WHITE
105A	18	.75	GREEN
106	18	.75	BLUE



WIRE TERMINATION FOR "F" PLUG

POSITION#	WIRE #
1	13V
2	95
3	88
4	37
5	13W
6	13X
7	106
8	105
9	99
10	40
11	48W
12	48X



WIRE HARNESS GROUP, *ec-H2O* OPTION (S/N 10455033- )

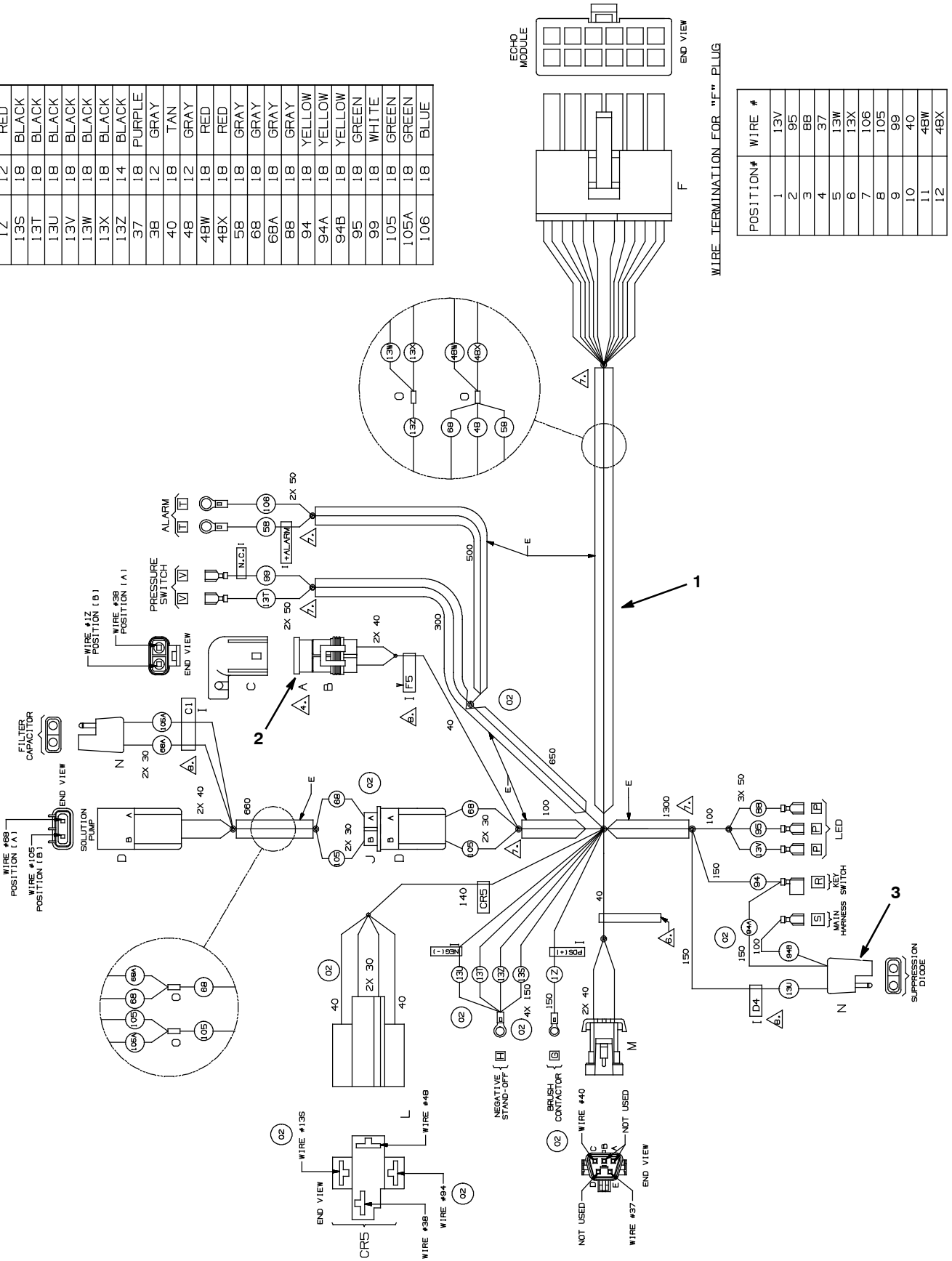
	Ref.	Part No.	Serial Number		Description	Qty.
▽	1	1055447	(10455033-	)	Harness Assy, Wire [Ss5 Ec-H2o]	1
▲	2	1047470	(00000000-	)	Fuse, Blade, 010a, 32vdc, Red	1
▲	3	222290	(00000000-	)	Diode, Ele, Plug	1

▽ ASSEMBLY

▲ INCLUDED IN ASSEMBLY

## WIRE HARNESS GROUP, *ec-H2O* OPTION (S/N 0000000-10455032)

WIRE No	AWG	COLOR
1Z	12	RED
13S	18	BLACK
13T	18	BLACK
13U	18	BLACK
13V	18	BLACK
13W	18	BLACK
13X	18	BLACK
13Z	14	BLACK
37	18	PURPLE
38	12	GRAY
40	18	TAN
48	12	GRAY
48W	18	RED
48X	18	RED
58	18	GRAY
68	18	GRAY
68A	18	GRAY
88	18	GRAY
94	18	YELLOW
94A	18	YELLOW
94B	18	YELLOW
95	18	GREEN
99	18	WHITE
105	18	GREEN
105A	18	GREEN
106	18	BLUE



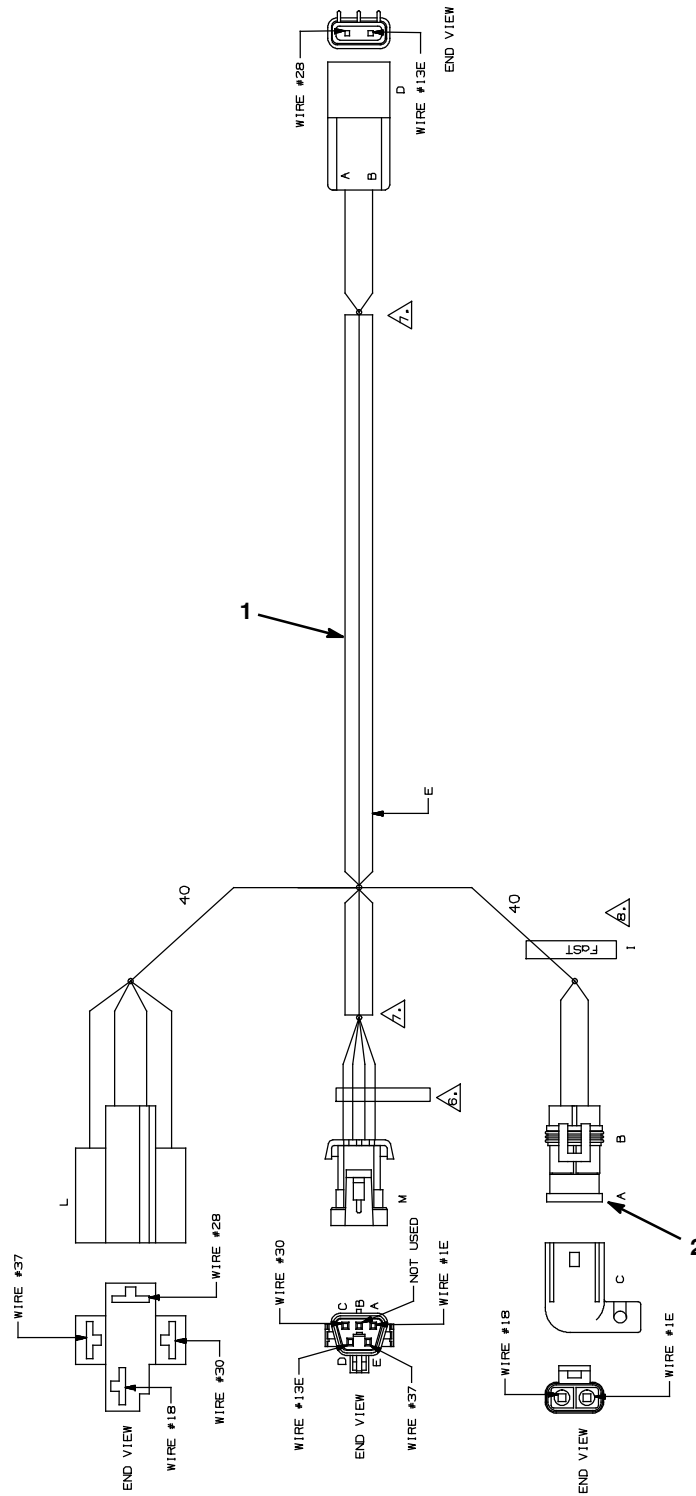
**WIRE HARNESS GROUP, *ec-H2O* OPTION (S/N 00000000-10455032)**

	<b>Ref.</b>	<b>Part No.</b>	<b>Serial Number</b>	<b>Description</b>	<b>Qty.</b>
▽	1	1045956	(00000000-10455032 )	Harness Assy, Wire [Ss5 Ec-H2o, P3]	1
▲	2	1047470	(00000000-	) Fuse, Blade, 010a, 32vdc, Red	1
▲	3	222290	(00000000-	) Diode, Ele, Plug	1

▽ ASSEMBLY

▲ INCLUDED IN ASSEMBLY

WIRE HARNESS GROUP, FAST OPTION

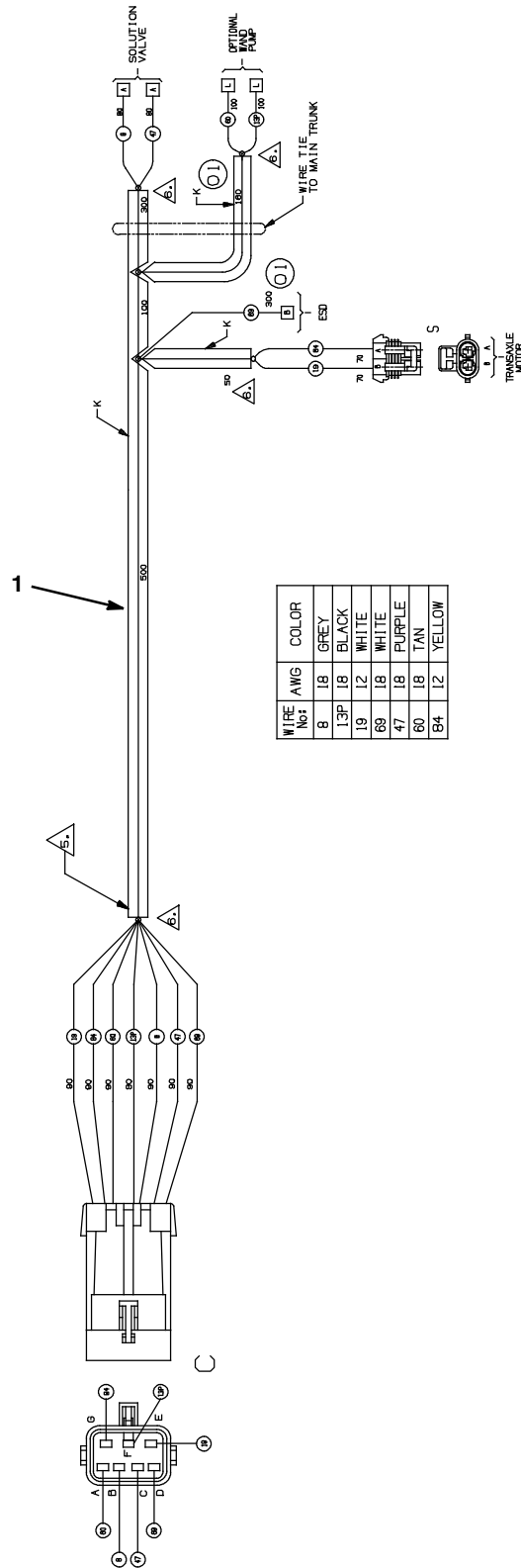


Ref.	Part No.	Serial Number	Description	Qty.
▽	1	1028396	(00000000- ) Harness Assy, Wire [Fast Option, Ss5]	1
▲	2	1016039	(00000000- ) Fuse, Blade, 007.5a, 32vdc	1

▽ ASSEMBLY

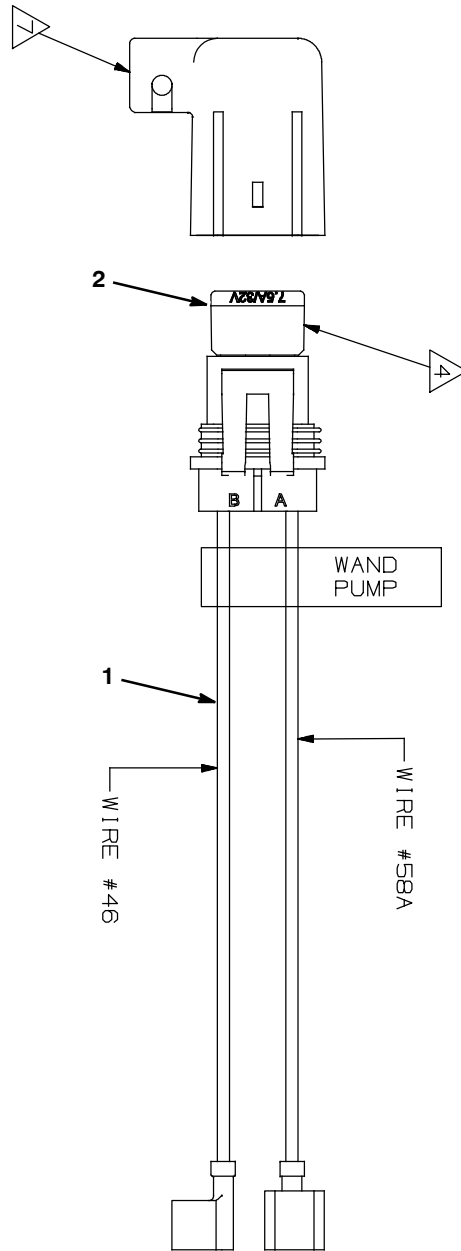
▲ INCLUDED IN ASSEMBLY

WIRE HARNESS GROUP, FRAME



Ref.	Part No.	Serial Number	Description	Qty.
1	1024721	(00000000- )	Harness, Chassis, Wire [Ss5]	1

WIRE HARNESS GROUP, WAND OPTION

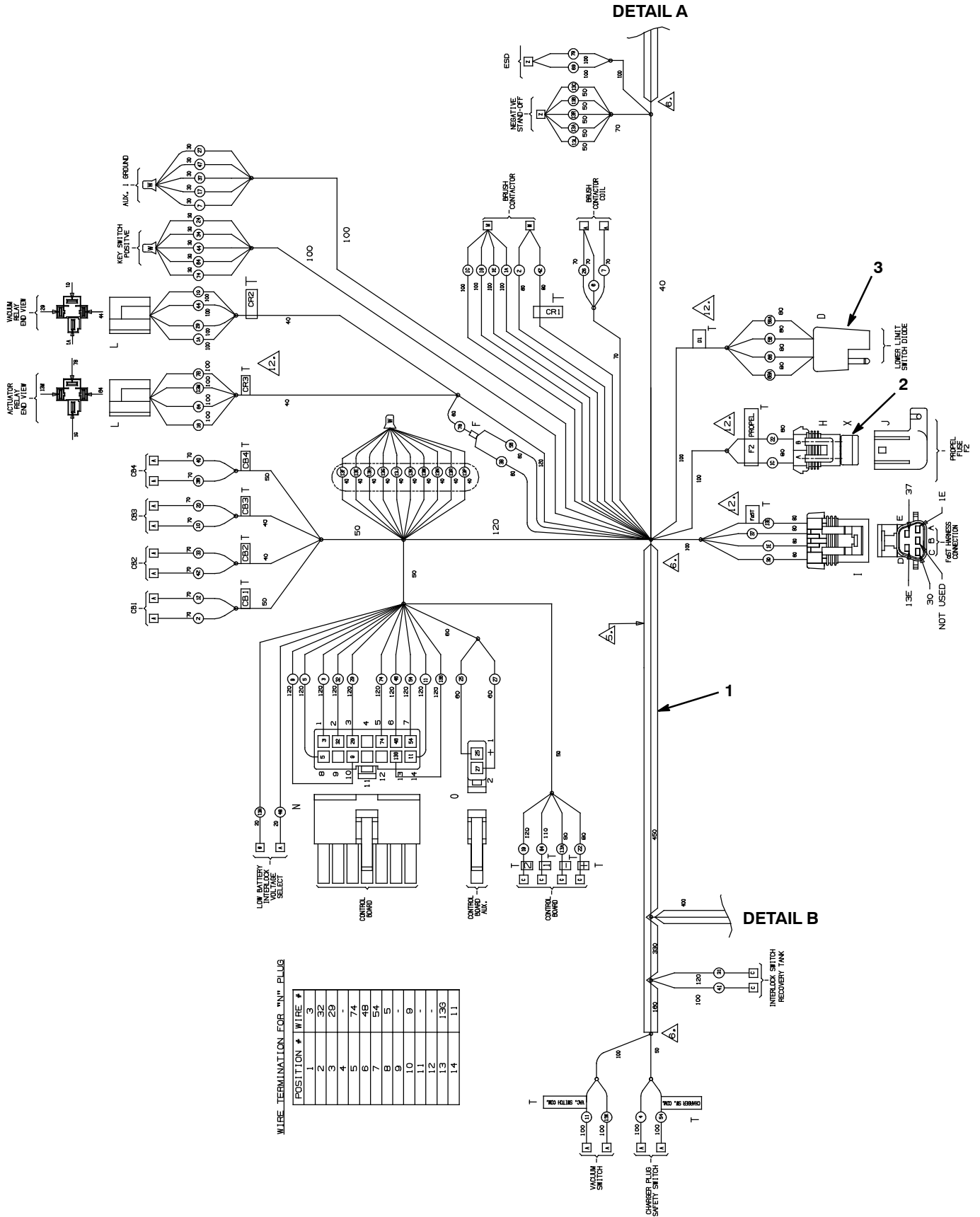


Ref.	Part No.	Serial Number	Description	Qty.
▽	1	1026870	(00000000- ) Harness, Wand [Ss5]	1
▲	2	1016039	(00000000- ) Fuse, Blade, 007.5a, 32vdc	1

▽ ASSEMBLY

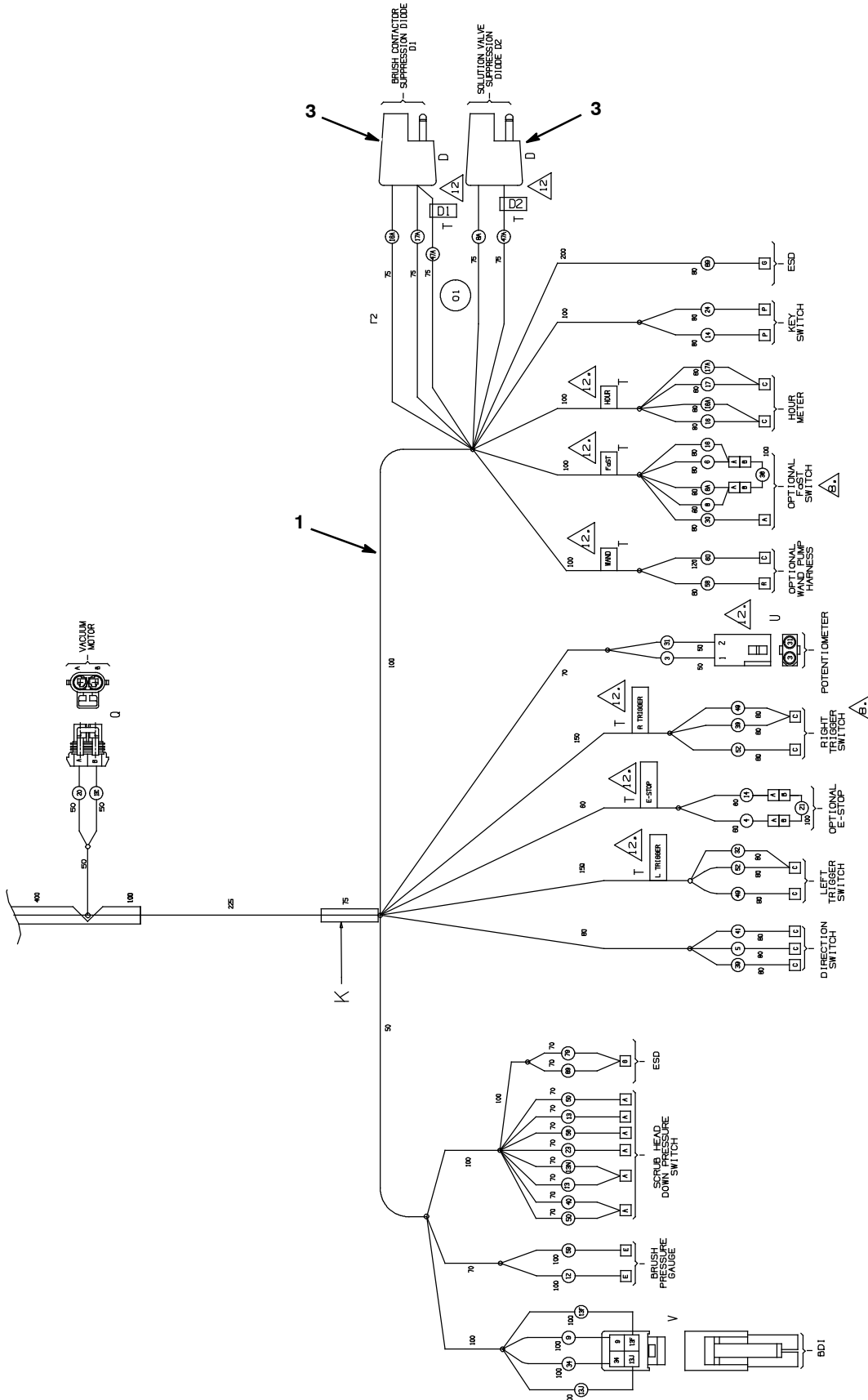
▲ INCLUDED IN ASSEMBLY

WIRE HARNESS GROUP, MAIN



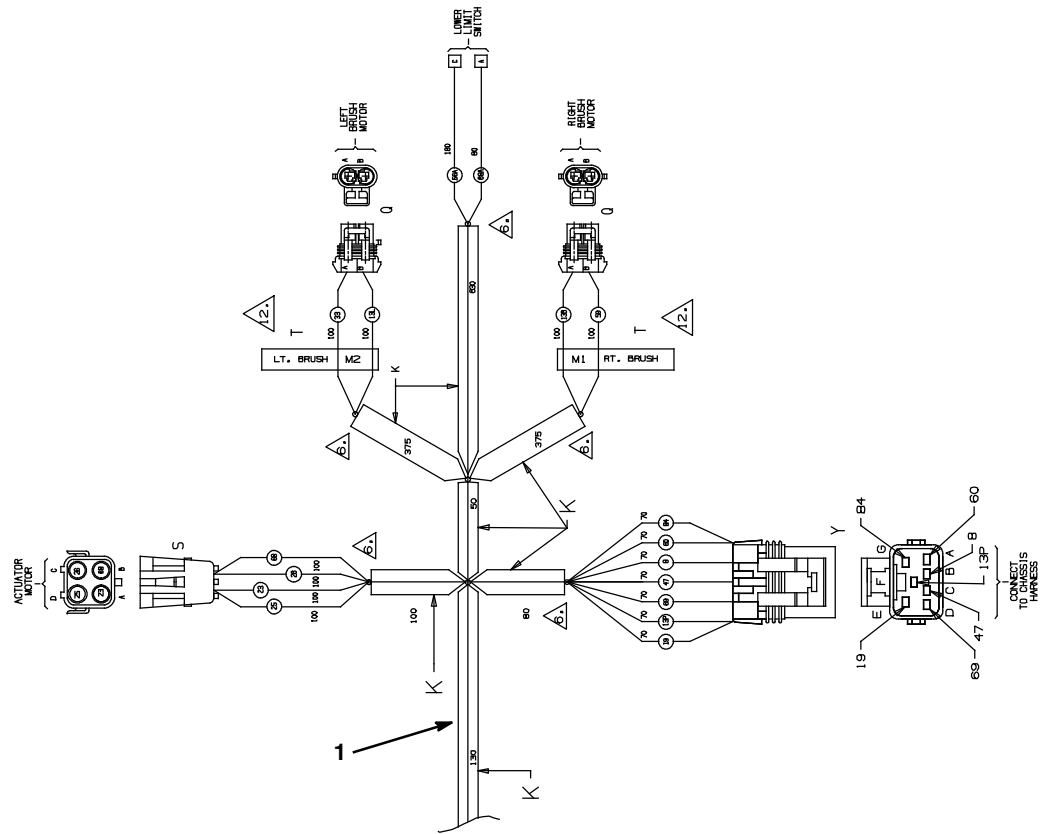
WIRE HARNESS GROUP, MAIN

DETAIL B -  
CONTINUED





WIRE HARNESS GROUP, MAIN



DETAIL A - CONTINUED

WIRE NO#	AWG	COLOR
28	18	WHITE
29	18	TAN
30	18	TAN
31	18	PINK
32	18	BROWN
33	10	ORANGE
34	18	YELLOW
36	18	BLUE
37	18	PURPLE
38	16	GRAY
39	18	WHITE
40	18	TAN
41	18	PINK
42	10	BROWN
44	18	YELLOW
47	18	PURPLE
47A	18	PURPLE
48	18	GRAY
49	18	WHITE
50	16	TAN
52	18	BROWN
54	18	YELLOW
56	18	BLUE
56A	18	BLUE
58	18	GRAY
59	10	WHITE
60	18	TAN
64	18	YELLOW
68	18	GRAY
68A	18	GRAY
69	18	WHITE
74	18	YELLOW
78	12	GRAY
79	18	WHITE
84	12	YELLOW
89	18	WHITE

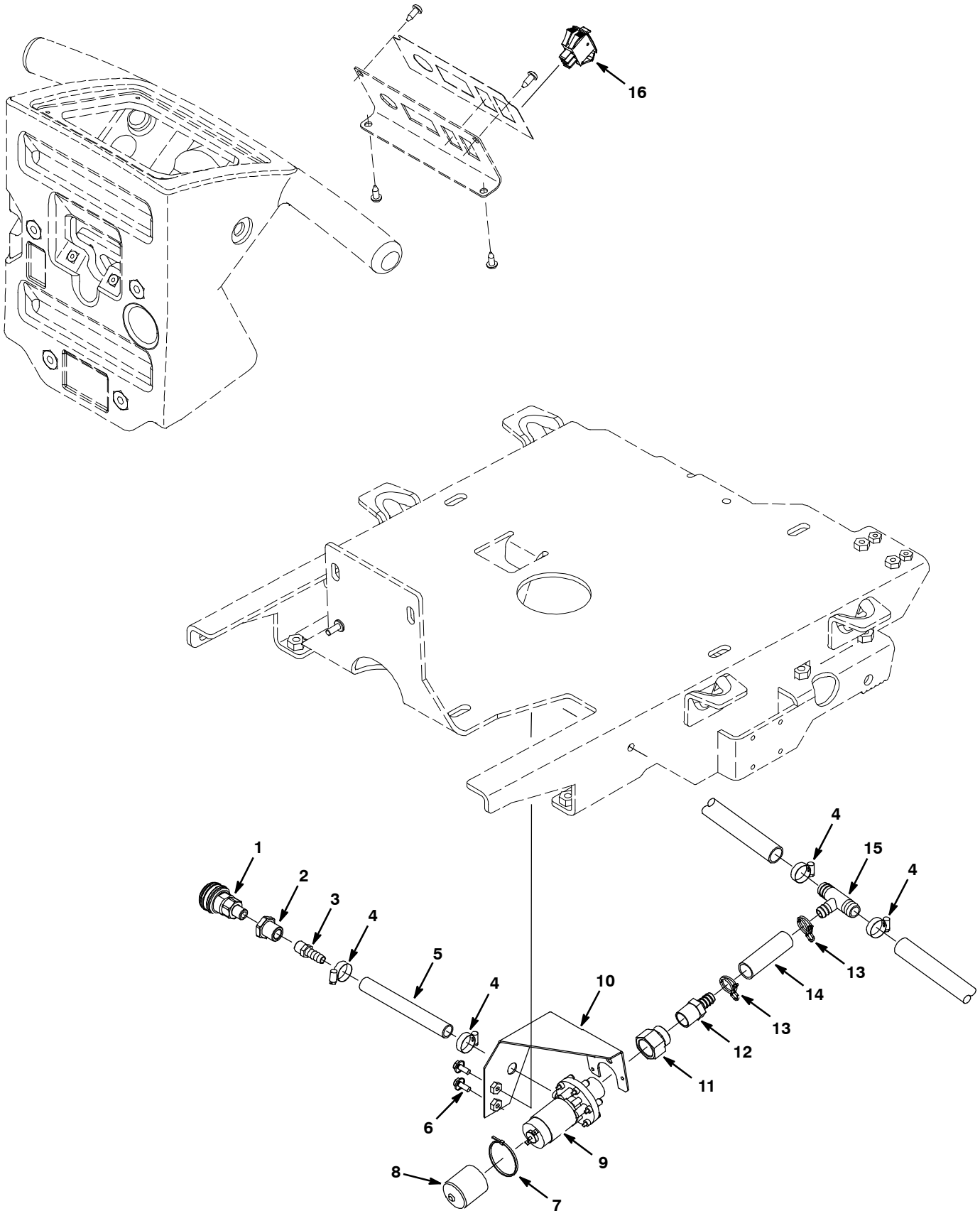
WIRE NO#	AWG	COLOR
1A	10	RED
1C	10	RED
1E	18	RED
1G	12	RED
2	10	BROWN
3	18	ORANGE
4	18	YELLOW
5	18	GREEN
6	18	BLUE
7	18	PURPLE
8	18	GRAY
8A	18	GRAY
9	18	WHITE
10	12	TAN
11	18	PINK
12	10	BROWN
13	16	BLACK
13A	10	BLACK
13B	10	BLACK
13C	12	BLACK
13E	18	BLACK
13G	18	BLACK
13H	18	BLACK
13J	18	BLACK
13K	18	BLACK
13L	10	BLACK
13M	18	BLACK
13N	18	BLACK
13P	18	BLACK
13R	14	BLACK
14	18	YELLOW
16	18	BLUE
16A	18	BLUE
17	18	PURPLE
17A	18	PURPLE
19	12	WHITE
20	12	TAN
21	18	PINK
22	10	BROWN
23	18	ORANGE
24	18	YELLOW
25	18	GREEN
26	18	BLUE
27	18	PURPLE

Ref.	Part No.	Serial Number	Description	Qty.
▽	1	1048405	(00000000- ) Harness, Main [Ss5]	1
▲	2	762516	(00000000- ) Fuse, Blade, 030a, 32vdc	1
▲	3	222290	(00000000- ) Diode, Ele, Plug	3

▽ ASSEMBLY

▲ INCLUDED IN ASSEMBLY

WAND PUMP KIT



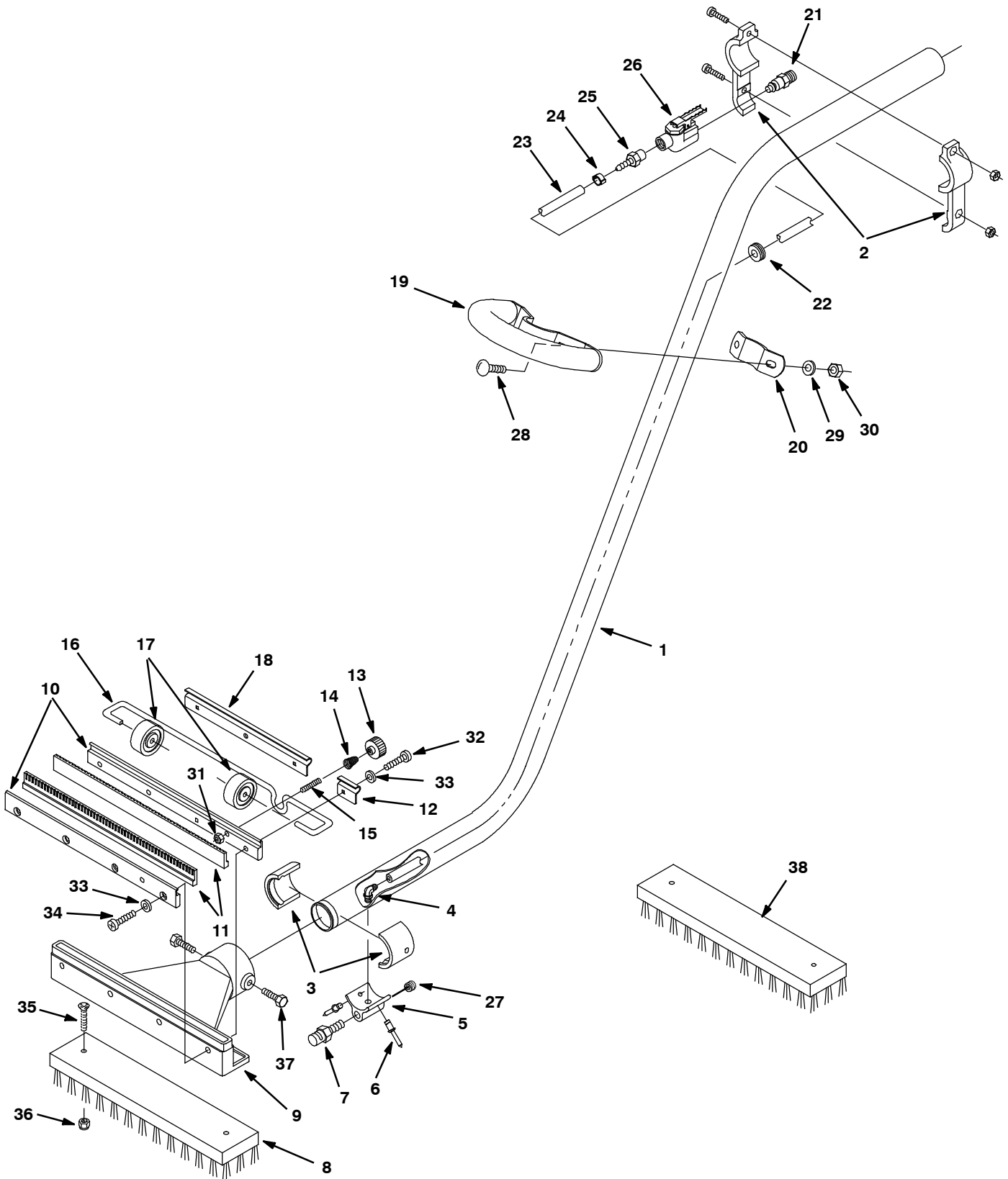
WAND PUMP KIT

Ref.	Part No.	Serial Number	Description	Qty.
▽	9003399	(00000000-	) Pump Kit, Wand, Power, Ci [Ss5, T5e]	1
▲	1 608292	(00000000-	) Connection, Quick, Fem .375" X .25" Npt	1
▲	2 78122	(00000000-	) Fitting, Brs, Str, Pf04/Pf04, Bh	1
▲	3 150516	(00000000-	) Fitting, Brs, Str, Pm04/Bm06	1
▲	4 54333	(00000000-	) Clamp, Hose, Wormdrive, 0.31-0.88d, .31w	4
▲	5 575501000	(00000000-	) Hose 3/8idx5/8odx8" (376720)	1
▲	6 1034731	(00000000-	) Screw, Hex, M6 X 1.00 X 16, Ss, Sems	2
▲	7 130773	(00000000-	) Tie, Cable, Nyl, 11.0l, .14w, 3.0 Max. D	2
▲	8 605064	(00000000-	) Cap, Vinyl, 1.38 D 1.6l	1
▲	9 630136	(00000000-	) Pump, Soltn, Ele, 24vdc, 3116" Term 3/4"	1
▲	10 1023515	(00000000-	) Bracket, Mtg, Pump, Wand	1
▲	11 150017	(00000000-	) Fitting, Brs, Str, Pf08/Pf12, Cplg[Redr]	1
▲	12 1023581	(00000000-	) Fitting, Plstc, Str, Bm08/Pm08, Nyl	1
▲	13 607776	(00000000-	) Clamp, Hose, Wir, .73 - .77, Silver	2
▲	14 613521	(00000000-	) Hose, Pvc, Clr, 0.50id 0.75od 012.0l	1
▲	15 1015486	(00000000-	) Fitting, Plstc, Tee, Bm08/Bm10/Bm10, Br	1
▲	16 130787	(00000000-	) Switch, Rocker, Spdt	1
▲	N/S 1026870	(00000000-	) Harness, Wand	1

▽ ASSEMBLY

▲ INCLUDED IN ASSEMBLY

DELUXE POWER WAND GROUP



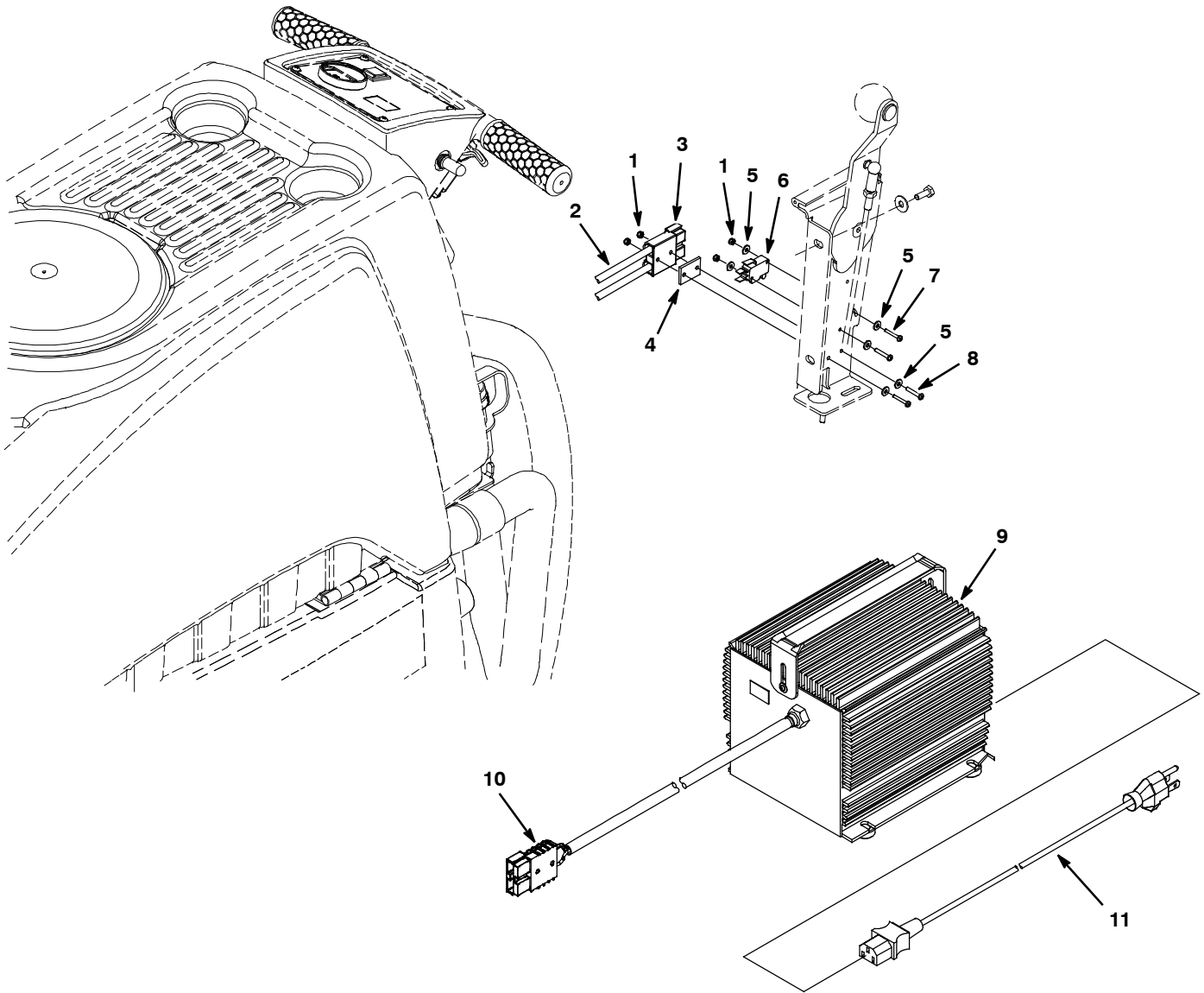
DELUXE POWER WAND GROUP

Ref.	Part No.	Serial Number	Description	Qty.
▽	65340	(00000000-	) Wand Assy, Power	1
▲	1 578060000	(00000000-	) Wand, Dbl Bend, 38.1mmd	1
▲	2 578077000	(00000000-	) Bracket Valve Mounting Wand	1
▲	3 578061000	(00000000-	) Adapter, Head / Wand	2
▲	4 1037595	(00000000-	) Fitting, Plstc, E90, Bm04/Pm02, Nyl	1
▲	5 579112	(00000000-	) Fitting Spray Nozzle Adapter	1
▲	6 602036000	(00000000-	) Rivet, Blind	2
▲	7 578066000	(00000000-	) Fitting, Brs, Tip [75, .125k-Jet]	1
▲	8 65610	(00000000-	) Brush, Power Wand, W/ Fastener, Pyp	1
▲	9 578063000	(00000000-	) Head, Wand	1
▲	10 578078000	(00000000-	) Retainer, Sqge, Wand	2
▲	11 578074000	(00000000-	) Blade, Sqge, 300.8mmml, Wand	2
▲	12 578124000	(00000000-	) Bracket,Axle,1hole	1
▲	13 578439	(00000000-	) Nut, Thumb, M6 X 1.0, 30d	1
▲	14 613732	(00000000-	) Spring, Cmpr, Conical 15mm	1
▲	15 578143000	(00000000-	) Screw, Set, M6 X 1.0 X 40, Cuppt, Ss	1
▲	16 578126000	(00000000-	) Axle,Wand	1
▲	17 578125000	(00000000-	) Wheel, 41.3d, 19.1w, Rbr	2
▲	18 578123000	(00000000-	) Bracket,Axle,3hole	1
▲	19 578155000	(00000000-	) Handle Wldt, Wand	1
▲	20 578154000	(00000000-	) Bracket Handle Wand	1
▲	21 578091000	(00000000-	) Fitting, Brs, Qdc, Pm04, Plug	1
▲	22 578164000	(00000000-	) Grommet,0.38"Id,0.62"Gd,.06"Gw	1
▲	23 578821000	(00000000-	) Hose 1/4id X 3/8od X 1.22m	1
▲	24 578161000	(00000000-	) Clamp, Hose, Ear, 8-11mm, Ss	1
▲	25 578094000	(00000000-	) Fitting, Nyl, Str, Pm04/Bm04	1
▲	26 578064000	(00000000-	) Valve, Cntrl, Water	1
▲	27 150208	(00000000-	) Fitting, Brs, Str, Pm02, Plug [Skhd]	1
▲	28 20399	(00000000-	) Bolt, Carriage, .25-20 X 0.75	2
▲	29 200304017	(00000000-	) Washer, Flat, M6.4 X 13 X 1.6, Pl	2
▲	30 41169	(00000000-	) Nut, Hex, Lock, .25-20, NI, Ss	2
▲	31 07785	(00000000-	) Nut, Hex, Std, M6 X 1.0, A2, Ss	1
▲	32 1026454	(00000000-	) Screw, Pan, M5 X 0.8 X 10, Ss	4
▲	33 07514	(00000000-	) Washer, Lock, Int, #10, Ss	8
▲	34 578144000	(00000000-	) Screw, Pan, M5 X 0.8 X 16,Phl,Ss,Dn7985a	4
▲	35 578566	(00000000-	) Screw 4x30 Fltphl Ss	2
▲	36 33932	(00000000-	) Nut, Hex, Lock, M4 X 0.7, NI, Ss	2
▲	37 140885	(00000000-	) Screw, Trs, .25-20 X 0.50, Phl, Ss	2
▲	38 65582	(00000000-	) Brush, Power Wand, W/ Fastener, Abr (Optional)	1

▽ ASSEMBLY

▲ INCLUDED IN ASSEMBLY

OFF-BOARD CHARGER GROUP



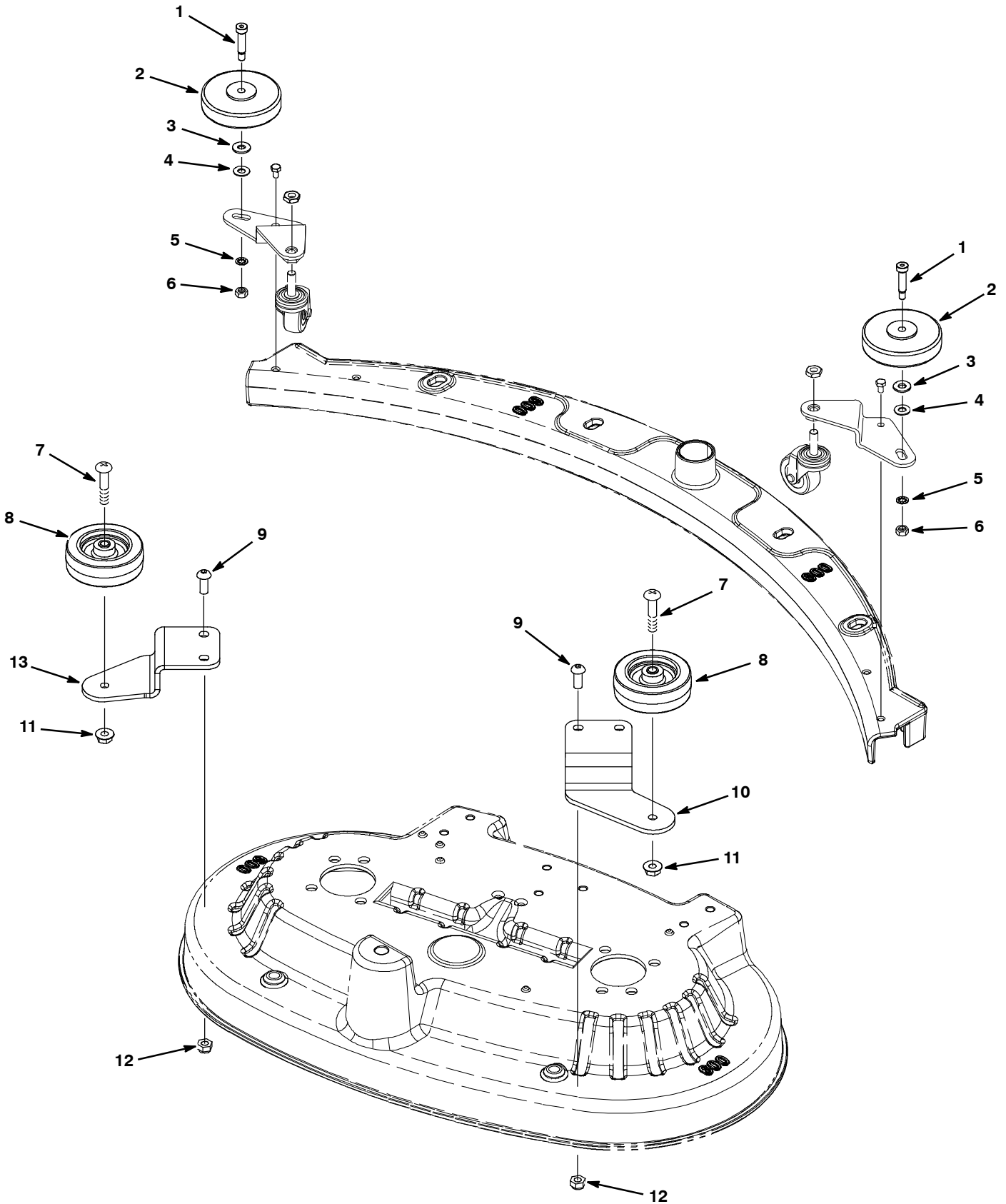
**OFF-BOARD CHARGER GROUP**

	<b>Ref.</b>	<b>Part No.</b>	<b>Serial Number</b>	<b>Description</b>	<b>Qty.</b>
	1	579211	(00000000-	) Nut, Hex, Lock, M3 X .5, Ss	4
▽	2	1027096	(00000000-	) Harness, Chrgr	1
▲	3	605387	(00000000-	) Connector, 50a, Red W/O Contact[Anderson	1
	4	603331	(00000000-	) Spacer, Chrgr Plug	1
	5	41578	(00000000-	) Washer, Flat, #06, Ss	6
	6	611005	(00000000-	) Switch, Rlr, 16a, Micro	1
	7	06922	(00000000-	) Screw, Pan, M3 X 0.5 X 20, 4.8	2
	8	33933	(00000000-	) Screw, Pan, M3 X 0.5 X 25, Ss	2
▽	9	1029256	(00000000-	) Charger, 24vdc, 19a Var Vac 1ph 50/60hz	1
▲	10	605387	(00000000-	) Connector, Anderson, 50a,Red W/O Contact	1
	11	1017079	(00000000-	) Cord, Extn, 16ga /3, 010ft [Sjt]	1

▽ ASSEMBLY

▲ INCLUDED IN ASSEMBLY

BUMPER WHEEL KIT





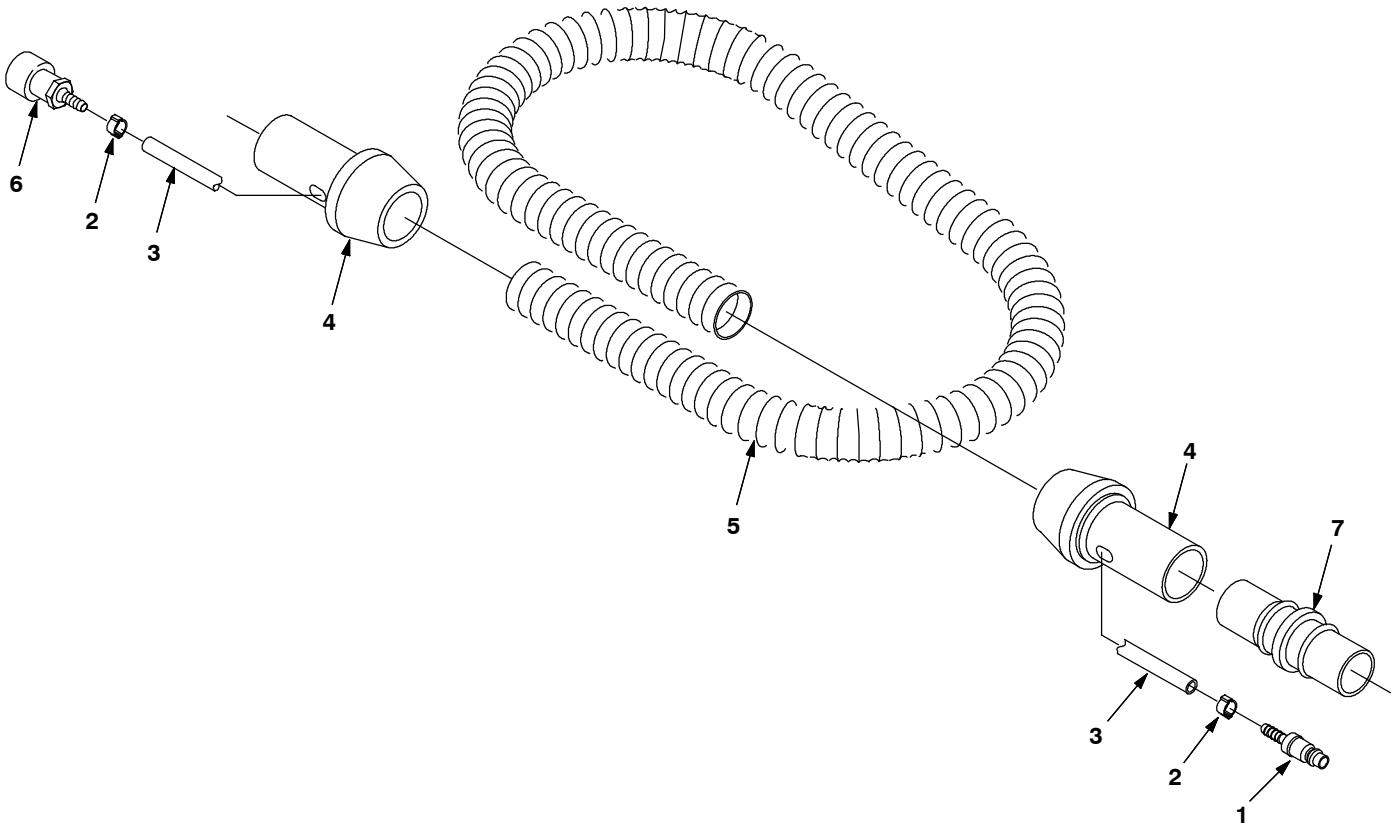
**BUMPER WHEEL KIT**

Ref.	Part No.	Serial Number	Description	Qty.
▽	9004459	(00000000-	) Wheel Kit, Bumper, Retrofit [T5]	1
▲	1 600187	(00000000-	) Bolt, Shld, .38d X 1.25, .31-18	2
▲	2 614317	(00000000-	) Wheel, 04.0d 1.00w 0.38b, Rbr, Gray	2
▲	3 01685	(00000000-	) Washer, Flat, 0.38b 0.88d .08, Ss	2
▲	4 069762311	(00000000-	) Washer, Flat, M7.9b X 19d X 1.7 Ss	2
▲	5 43952	(00000000-	) Washer, Lock, Int, 0.31, Ss	2
▲	6 140506	(00000000-	) Nut, Hex, Std, .31-18, Ss	2
▲	7 606983	(00000000-	) Screw, Trs, M8 X 1.25 X 40, Phl, Pl	2
▲	8 1014918	(00000000-	) Wheel, 03.0d 0.88w 0.31b, W/ Bshg, Rbr	2
▲	9 393135	(00000000-	) Screw, Btn, M8 X 1.25 X 20, Blk	4
▲	10 1023268	(00000000-	) Bracket, Roller, Wall, Scb Head, 70cm	1
▲	11 07791	(00000000-	) Nut, Hex, Flng, M8 X 1.25	2
▲	12 08713	(00000000-	) Nut, Hex, Lock, M8 X 1.25, Nl, Ss	4
▲	13 1022344	(00000000-	) Bracket, Roller, Wall, Scb Head, 60cm	1

▽ ASSEMBLY

▲ INCLUDED IN ASSEMBLY

POWER WAND HOSE GROUP

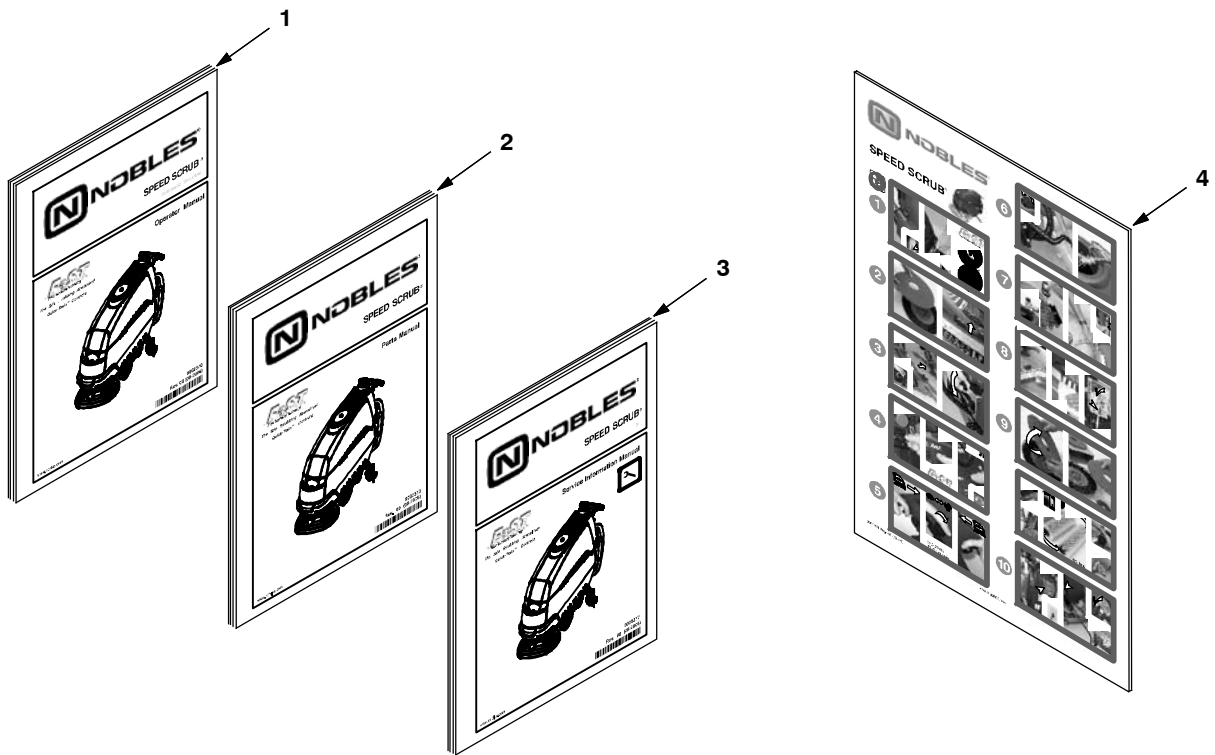


Ref.	Part No.	Serial Number	Description	Qty.
▽	65341	(00000000-	) Hose Assy, Wand, Power	1
▲ 1	578318000	(00000000-	) Fitting, Stl, Qdc, Bm04	1
▲ 2	578160000	(00000000-	) Clamp, Hose, Ear, 11-13mm, Ss	2
▲ 3	578820000	(00000000-	) Hose, Pvc, 0.25id X 157l	1
▲ 4	578072000	(00000000-	) Cuff, Swivel, 1.5 Blk	2
▲ 5	1052212	(00000000-	) Hose, Vacuum, 1.50id X 10ft, Gray	1
▲ 6	578071000	(00000000-	) Fitting, Brs, Qdc, Bm04/Pf04	1
7	12694	(00000000-	) Fitting, Plstc, Str, Bm24/Bm24	1

▽ ASSEMBLY

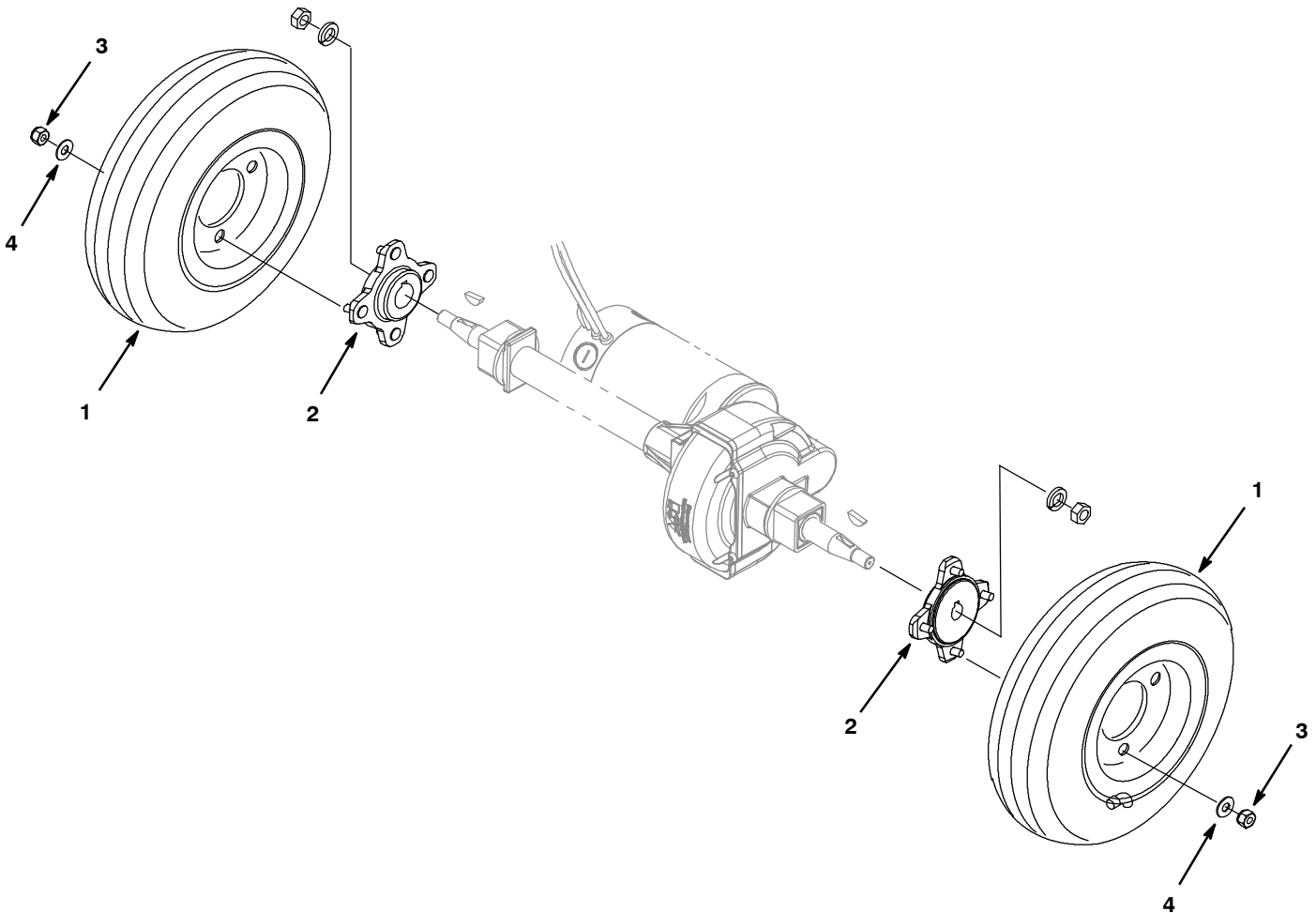
▲ INCLUDED IN ASSEMBLY

DOCUMENTATION GROUP



Ref.	Part No.	Serial Number	Description	Qty.
1	9002370	(00000000-	) Manual, Oprtr [Speed Scrub, En]	1
1	9002371	(00000000-	) Manual, Oprtr [Speed Scrub, Es]	1
1	9002372	(00000000-	) Manual, Oprtr [Speed Scrub, Fr]	1
2	9002373	(00000000-	) Manual, Parts [Speed Scrub]	1
3	9002377	(00000000-	) Manual, Service [Speed Scrub]	1
4	9002374	(00000000-	) Instr, Use And Care [En, Spd Scb]	1

OPTIONAL WHEEL KIT



Ref.	Part No.	Serial Number	Description	Qty.
▽	9004903	(00000000- )	Wheel Kit, Pneumatic, Ci [T5 T5e Ss5]	1
▲ 1	1059452	(00000000- )	Tire Assy, Pneu, Grey, 2.8/2.5-04 2.75bc	2
▲ 2	1048125	(00000000- )	Hub, Wheel [Tapered Shaft]	2
▲ 3	08712	(00000000- )	Nut, Hex, Lock, M6 X 1.00, NI, Ss	8
▲ 4	140000	(00000000- )	Washer, Flat, 0.28b 0.62d .04, Ss	8
▽	9004904	(00000000- )	Wheel Kit, Foam Filled, Ci [T5 T5e Ss5]	1
▲ 1	1068472	(00000000- )	Tire Assy, Foam, Hi-Dns, Grey,2.8/2.5-04	2
▲ 2	1048125	(00000000- )	Hub, Wheel [Tapered Shaft]	2
▲ 3	08712	(00000000- )	Nut, Hex, Lock, M6 X 1.00, NI, Ss	8
▲ 4	140000	(00000000- )	Washer, Flat, 0.28b 0.62d .04, Ss	8

▽ ASSEMBLY

▲ INCLUDED IN ASSEMBLY