

56383377 FLEX PLATE 20 KIT

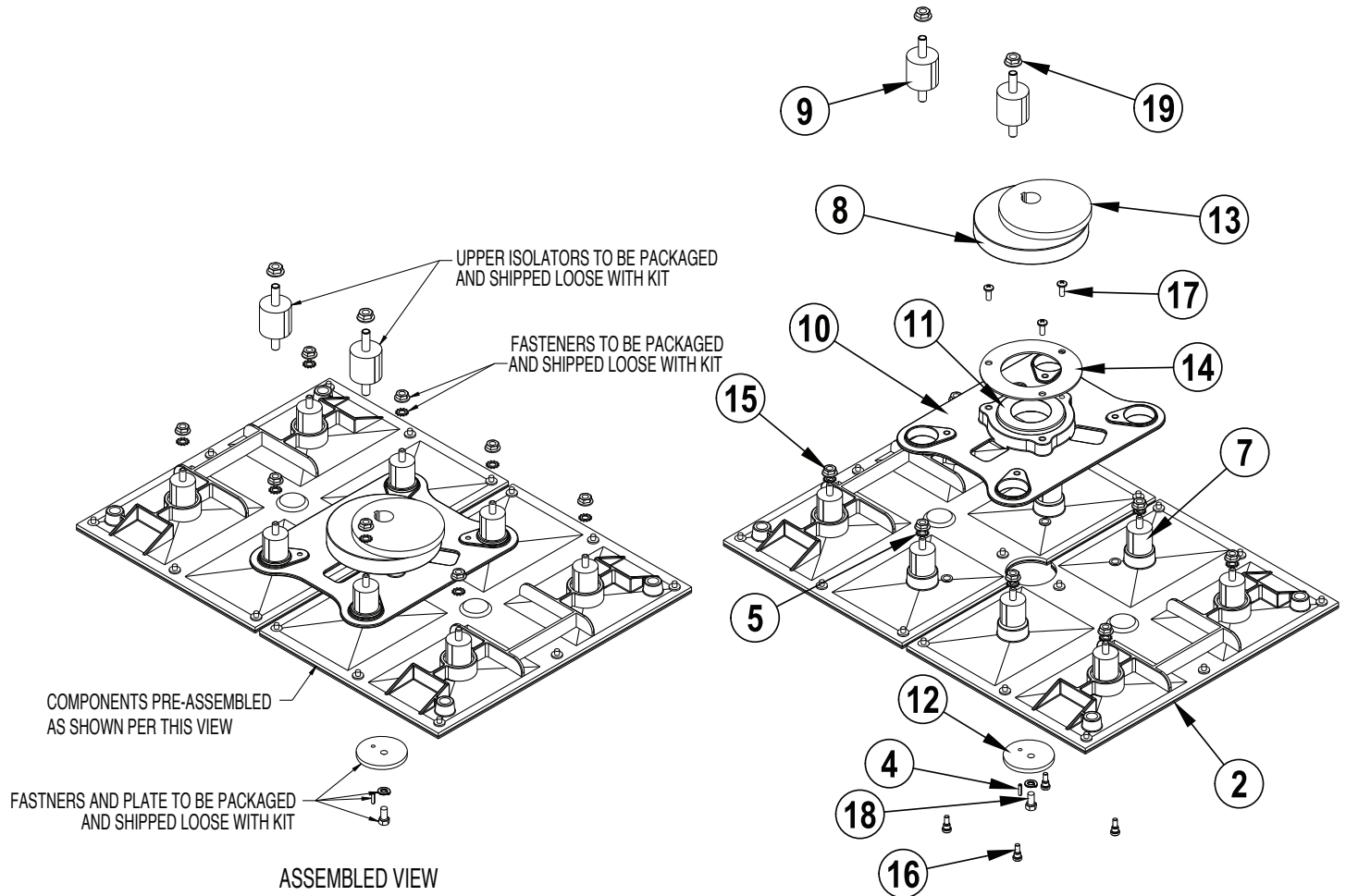
Focus II BOOST L20
Scrubtec BOOST 5

CONTENTS OF KIT

KIT	ITEM	PART NO.	QTY	DESCRIPTION
		56090044	1	Instruction Sheet
	[1]	56070182	1	Carton, Starline Kit
	2#	56383374	2	Flex Plate Assy 20
K2	[3]		1	Loctite 242 Compound Blue 0.5
K1	4		1	Pin, Roll
K2	5		8	Washer, 1/4" Starlock, External
	6	980657	1	Washer, Lock 1/4
K2	7		8	Isolator-30 Duro 1/4-20
K1	8		1	Shield BOOST Bearing
K2	9		2	Isolator-50 Duro 5/16-18
	10	56381491	1	Plate Driver
	11	50736A	1	Bearing
	12	61724A	1	Retainer, Eccentric
K1	13		1	Eccentric
	14	61775A	1	Retainer, Bearing
K2	15		8	Nut-Hex Serrated Flange 1/4-20
	16	56381989	4	Shoulder Bolt - BOOST
	17	84237A	3	Screw, 10-32 X .50 P.H.
	18	56002155	1	Scr Hex 1/4-20 X .75
K2	19		2	Nut-Hex Serrated Flange 5/16-18
	K1	56380246	1	Kit Eccentric & Shield
	K2	56380236	1	Isolator Kit BOOST 20

[] = Not Shown

= Revised or new since last update



INSTALLATION INSTRUCTIONS

FIGURE 1

⚠ WARNING!

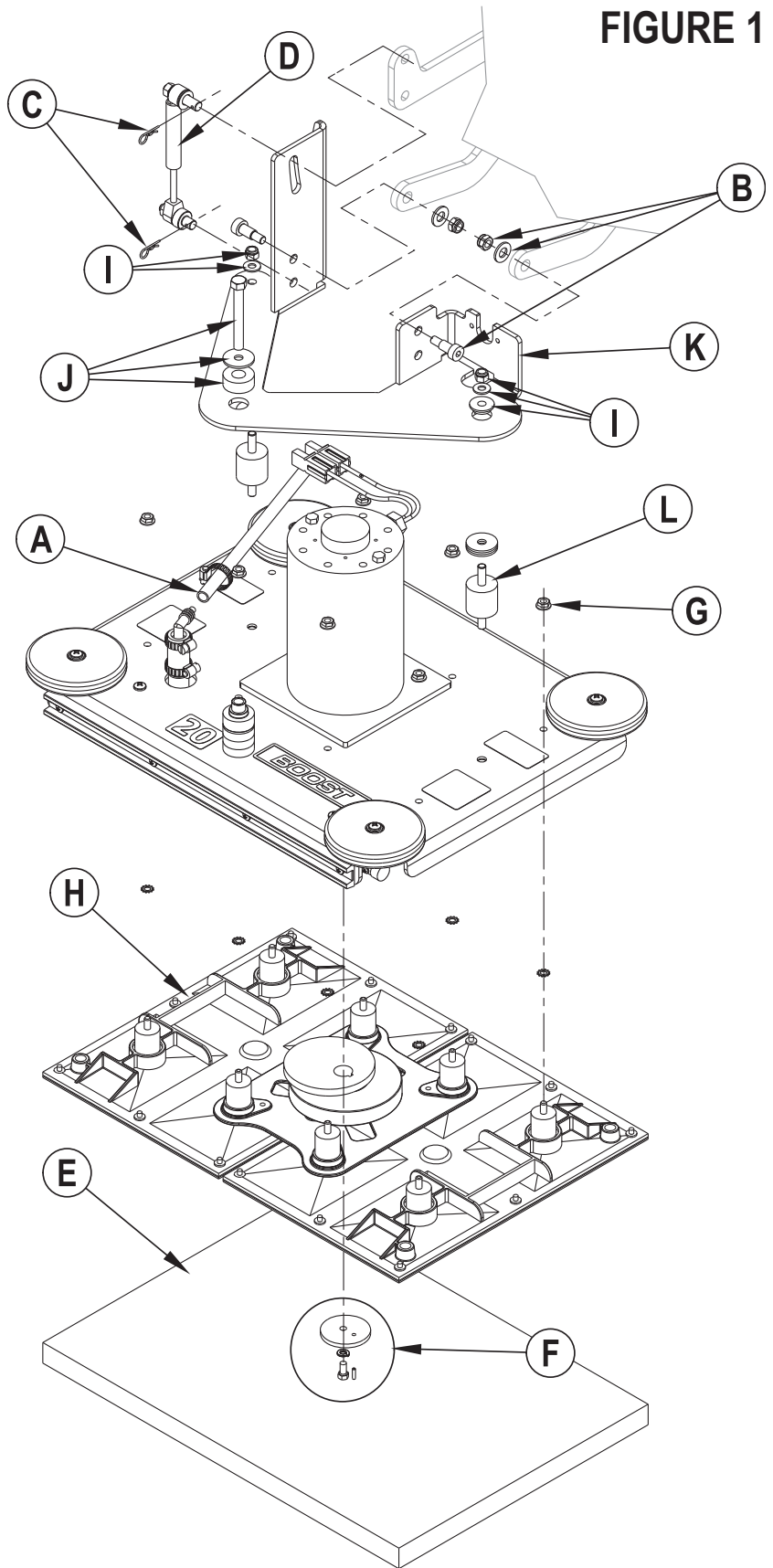
DISCONNECT BATTERIES BEFORE SERVICING.

TOOLS REQUIRED:

- Standard Screwdriver
- 7/16 Box End Wrench
- 1/2 Box End Wrench
- 9/16 Box End Wrench
- 5mm Allen Wrench
- Ratchet With 7/16 socket and 9/16 Socket
- Torque Wrench

DISASSEMBLY

- 1 Lower the scrub head to the floor. Drain the solution tank
- 2 Disconnect the scrub motor from the main wiring harness.
- 3 **See Figure 1.** Disconnect the solution line (A) from the machine.
- 4 Remove the Screws, Nuts & Washers (B), Cotter Pins (C), Gas Spring (D) and slide the scrub head away from the machine.
- 5 Remove the Pad (E) from the scrub head.
- 6 Remove Hardware (F) and the (8) Nuts (G).
- 7 Remove the Flex Plate Assembly (H) from the scrub head. **NOTE:** Be careful not to lose the key for the motor shaft.
- 8 Remove Hardware (I) and the Screw, Washer & Spacer (J).
- 9 Remove Bracket Assembly (K) from the scrub head.
- 10 Remove and discard the old Isolators (L). **NOTE:** Save the large washers on top of the isolators.



ASSEMBLY

- 11 See Figure 2. Reassemble in reverse order using the preassembled Flex Plate Assembly from the kit in place of the old assembly (H).
- 12 Use Items (4, 6, 12, 18) from the kit in place of Hardware (F).
- 13 Use Isolators (9) from the kit in place of old Isolators (L). NOTE: Reuse the large washers removed in step 10.
- 14 Use Nuts (15) from the kit in place of old Nuts (G).
- 15 Reuse Hardware (B), Pad (E), Hardware (I) and Screw, Washer & Spacer (J). Use Nuts (19) in place of old Nuts and Washers (I).
NOTE: Use Loctite 242 (3) on all fasteners during assembly. Make sure that none of the Isolators (7 or 9) twist any more than 10 degrees when tightening the Nuts (15 & I). The amount of twist can be gauged by observing the colored lines painted on the side of these items. Nuts (15 & I) should be torqued to 8-10 FT-Lbs. Apply anti-seize to the Eccentric (13) before slipping it onto the motor shaft.

